

US00D749486S

(12) **United States Design Patent**  
**Huang**

(10) **Patent No.:** **US D749,486 S**

(45) **Date of Patent:** **\*\* Feb. 16, 2016**

(54) **FRONT FACE OF A VEHICLE WHEEL**

(71) Applicant: **Tai Chun Huang**, Taoyuan (TW)

(72) Inventor: **Tai Chun Huang**, Taoyuan (TW)

(73) Assignee: **Koya Wheels Co., Ltd.**, Whittier, CA (US), part interest

(\*\*) Term: **14 Years**

(21) Appl. No.: **29/481,583**

(22) Filed: **Feb. 7, 2014**

(51) **LOC (10) Cl.** ..... **12-16**

(52) **U.S. Cl.**  
USPC ..... **D12/211**

(58) **Field of Classification Search**  
USPC ..... D12/204–213  
CPC ..... B60B 7/00; B60B 7/02; B60B 7/04;  
B60B 7/01; B60B 7/06; B60B 3/02; B60B  
3/04; B60B 3/06; B60B 3/10; B60B 1/00;  
B60B 1/08; B60B 1/10; B60B 1/12  
See application file for complete search history.

(56) **References Cited**

**U.S. PATENT DOCUMENTS**

D25,367 S \* 4/1896 Geary ..... D12/205  
D416,534 S \* 11/1999 Couzyn et al. .... D12/211

D449,267 S \* 10/2001 Fitzgerald ..... D12/211  
D481,984 S \* 11/2003 Sulahian ..... D12/211  
D493,133 S \* 7/2004 Bernoni ..... D12/211  
D555,066 S \* 11/2007 Hernandez ..... D12/211  
D652,364 S \* 1/2012 Zhao ..... D12/211  
D653,189 S \* 1/2012 Zhao ..... D12/211  
D680,048 S \* 4/2013 Zhao ..... D12/211  
D681,541 S 5/2013 Kern  
D684,518 S \* 6/2013 Zhao ..... D12/211  
D690,643 S 10/2013 Kern  
D694,695 S 12/2013 Kern

\* cited by examiner

*Primary Examiner* — Stacia Cadmus

(74) *Attorney, Agent, or Firm* — Barkume & Associates, P.C.

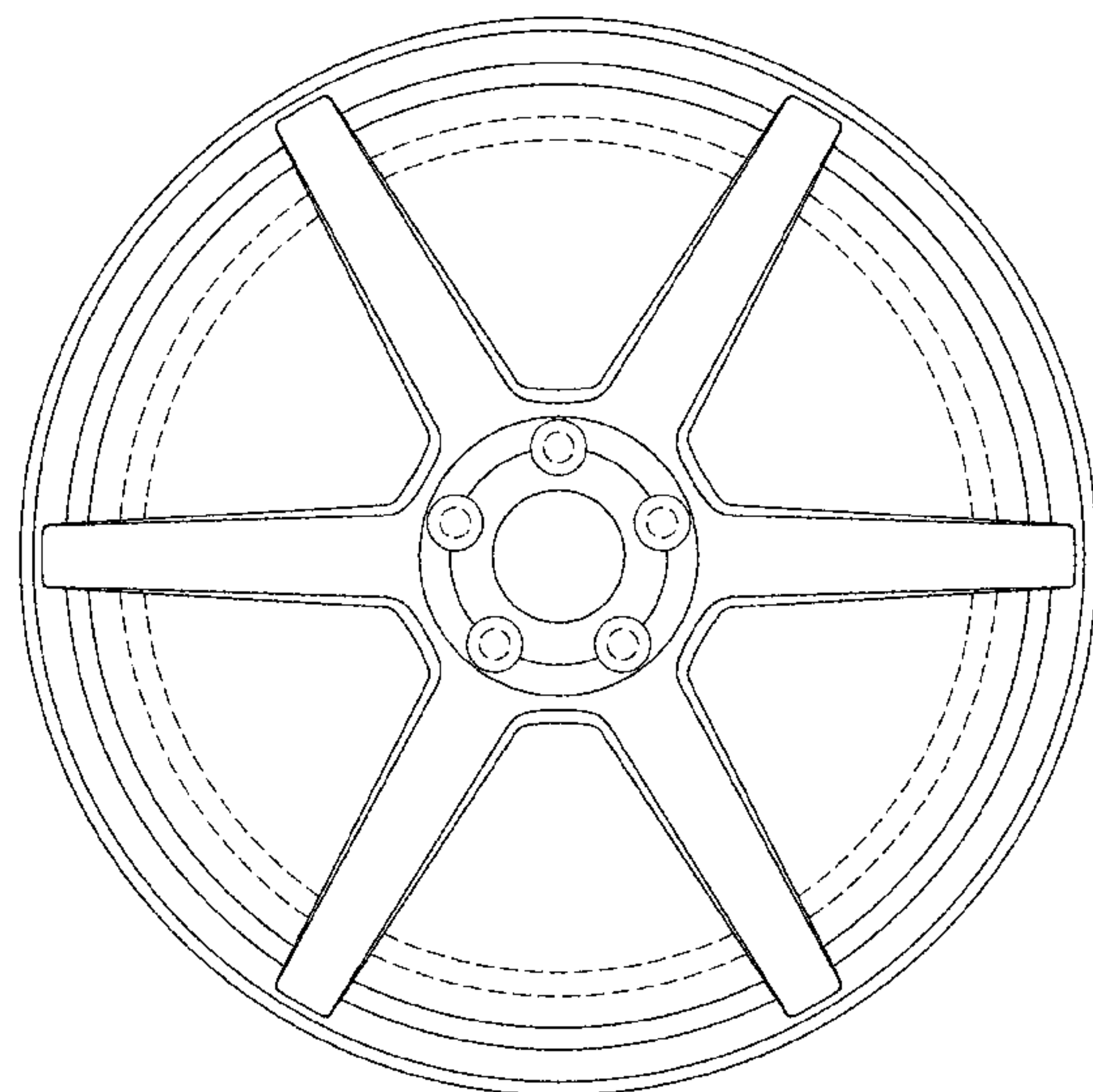
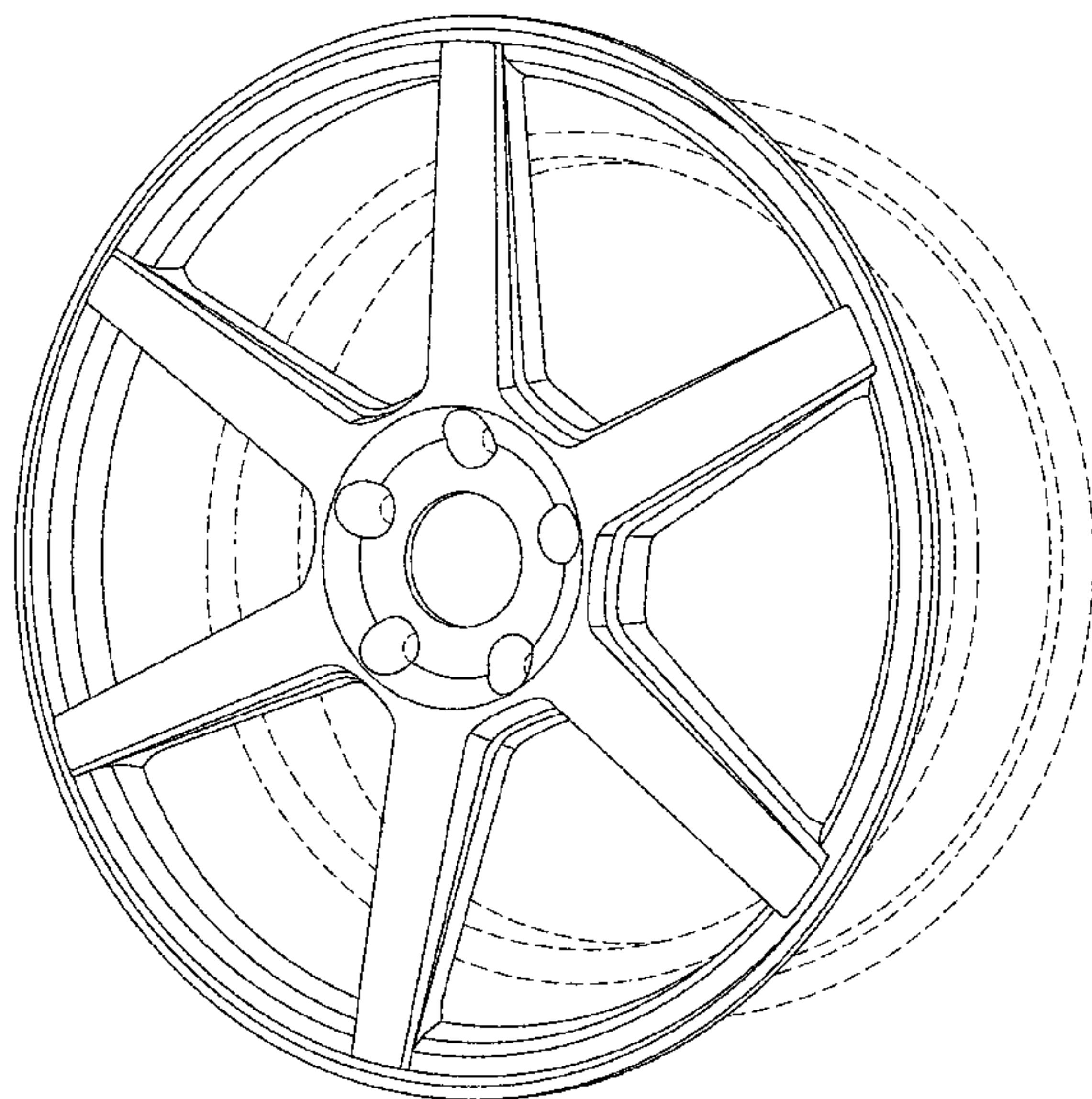
(57) **CLAIM**

The ornamental design for a front face of a vehicle wheel, as shown and described.

**DESCRIPTION**

FIG. 1 is a top and right side perspective view of a front face of a vehicle wheel showing my new design; and, FIG. 2 is a front view of the wheel shown in FIG. 1. The broken line showing of the back portion of the wheel rim and the broken line showing of the back part of the bolt holes are each included for the purpose of illustrating environment and forms no part of the claimed design.

**1 Claim, 2 Drawing Sheets**



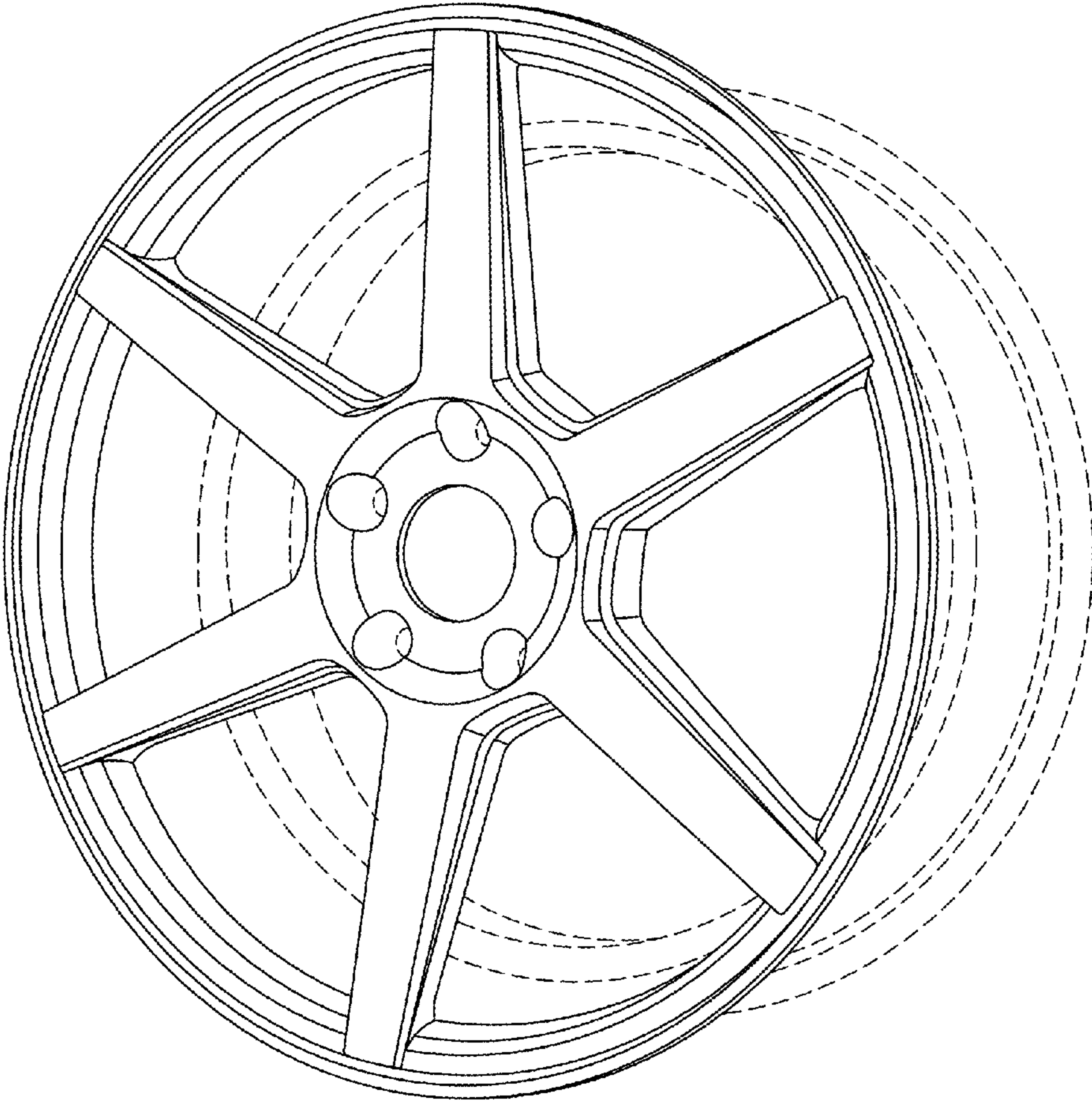


FIG. 1

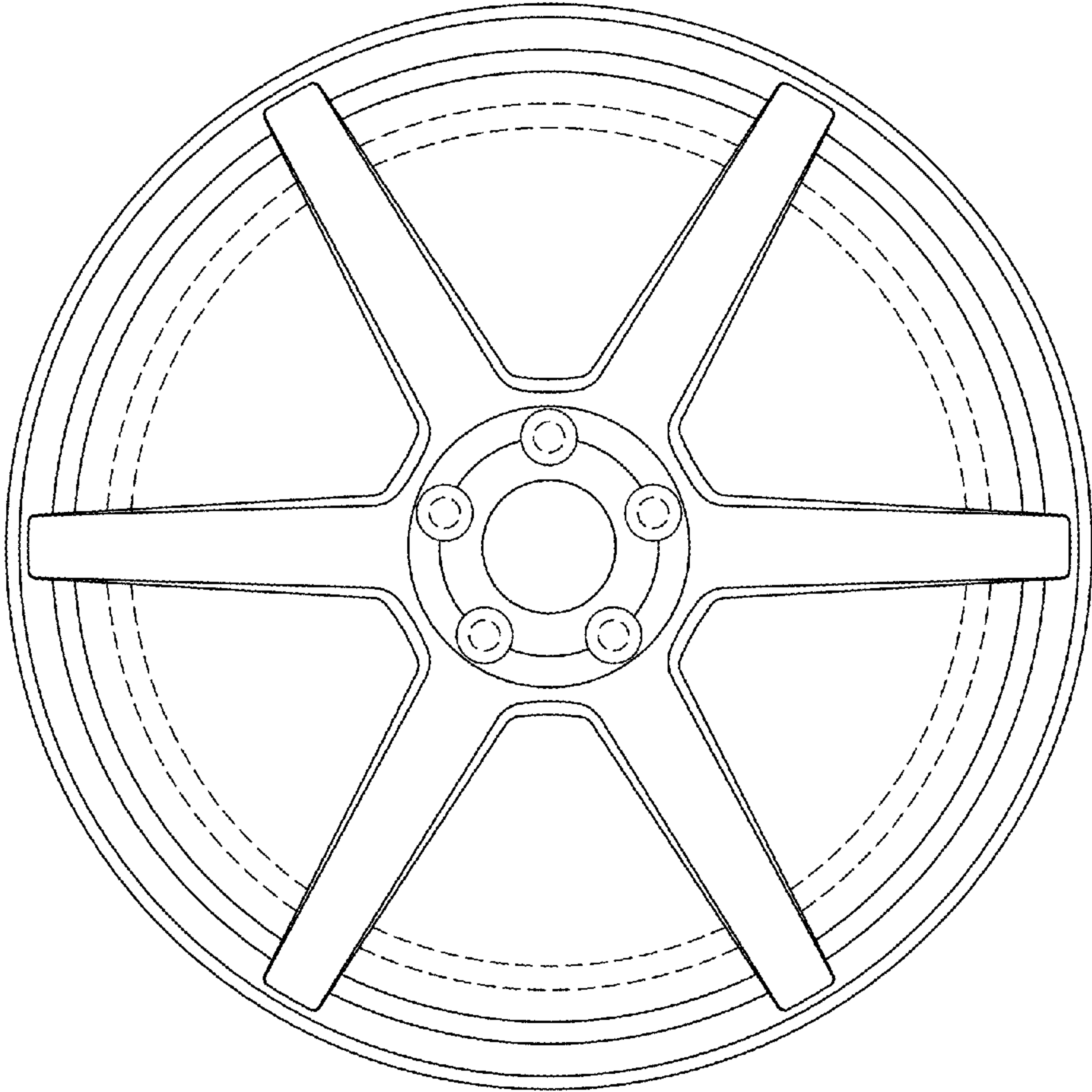


FIG. 2