



US00D749483S

(12) **United States Design Patent**
Hodges

(10) **Patent No.:** **US D749,483 S**

(45) **Date of Patent:** **** Feb. 16, 2016**

(54) **WHEEL**

(71) Applicant: **Frank J. Hodges**, Corona, CA (US)

(72) Inventor: **Frank J. Hodges**, Corona, CA (US)

(**) Term: **14 Years**

(21) Appl. No.: **29/469,080**

(22) Filed: **Oct. 7, 2013**

(51) **LOC (10) Cl.** **12-16**

(52) **U.S. Cl.**
USPC **D12/209**

(58) **Field of Classification Search**
USPC D12/204-213

CPC B60B 7/00; B60B 7/02; B60B 7/04;
B60B 7/01; B60B 7/06; B60B 3/02; B60B
3/04; B60B 3/06; B60B 3/10; B60B 1/00;
B60B 1/08; B60B 1/10; B60B 1/12

See application file for complete search history.

(56) **References Cited**

U.S. PATENT DOCUMENTS

D540,238	S	*	4/2007	Sycha	D12/209
D585,805	S	*	2/2009	Friedrich et al.	D12/209
D590,319	S	*	4/2009	Juergens et al.	D12/211
D612,788	S	*	3/2010	Junker	D12/209
D639,714	S	*	6/2011	Baum	D12/209
D670,630	S	*	11/2012	Flueckiger	D12/209
D671,059	S	*	11/2012	Pollmann	D12/209
D673,092	S	*	12/2012	Platto et al.	D12/209
D673,096	S	*	12/2012	Platto et al.	D12/209
D710,780	S	*	8/2014	Borkert	D12/211

* cited by examiner

Primary Examiner — Stacia Cadmus

(74) *Attorney, Agent, or Firm* — Eric B. Alspaugh

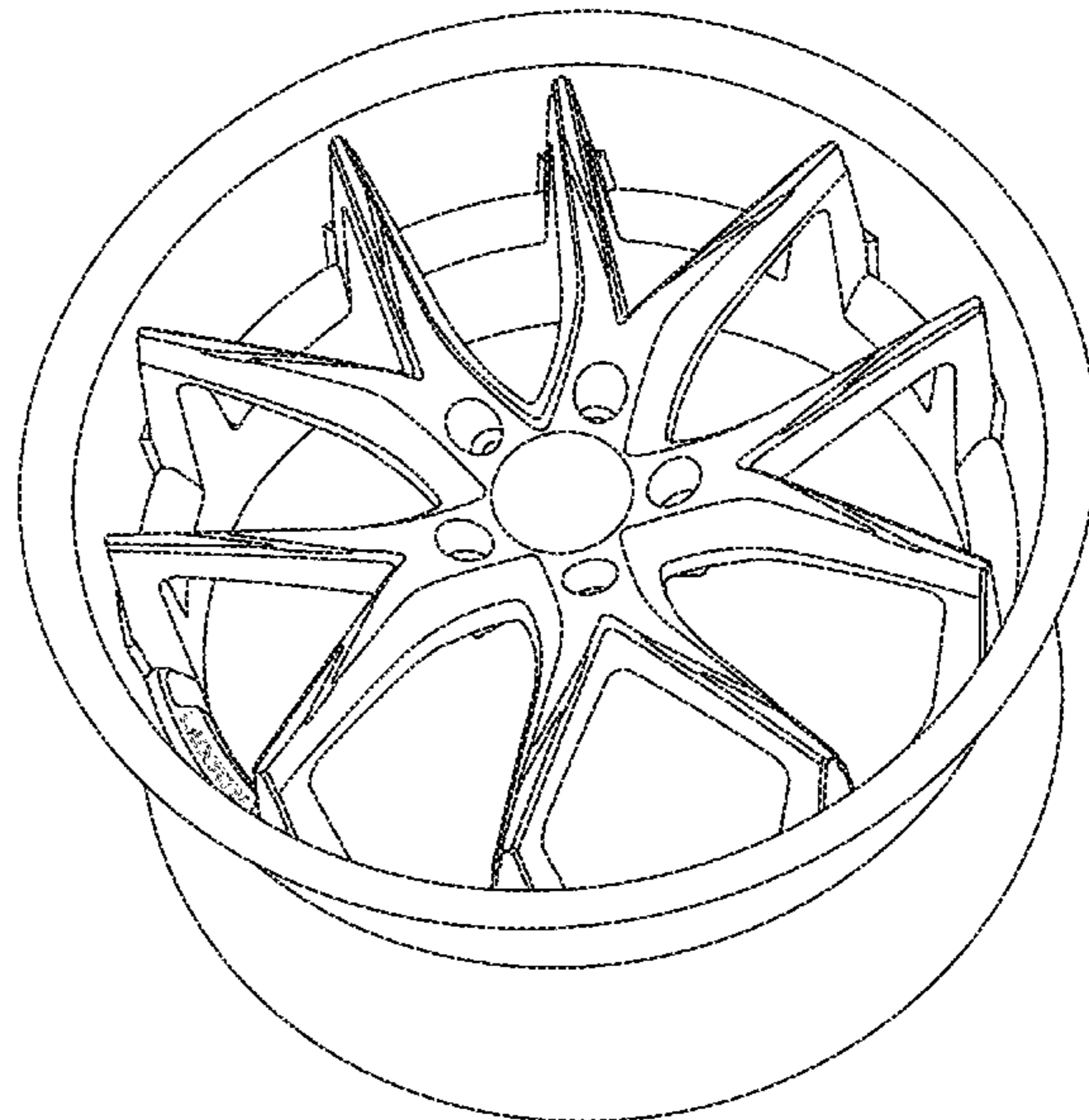
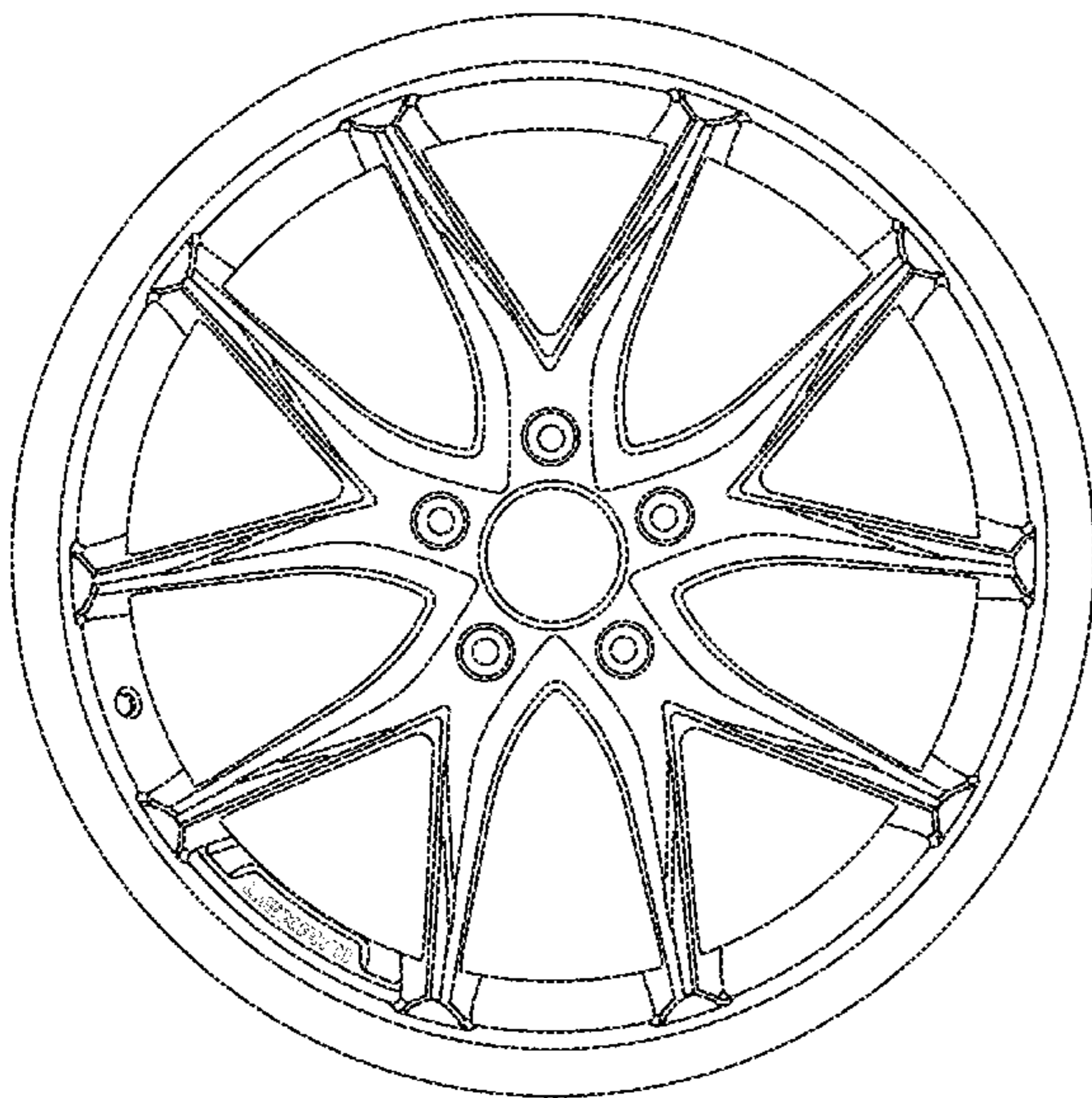
(57) **CLAIM**

The ornamental design for a wheel, as shown and described.

DESCRIPTION

FIG. 1 is a front view of a wheel showing my new design; and, FIG. 2 is an perspective view thereof. The broken line showing of the logo in FIGS. 1 and 2 is included for the purpose of illustrating environment and forms no part of the claimed design.

1 Claim, 2 Drawing Sheets



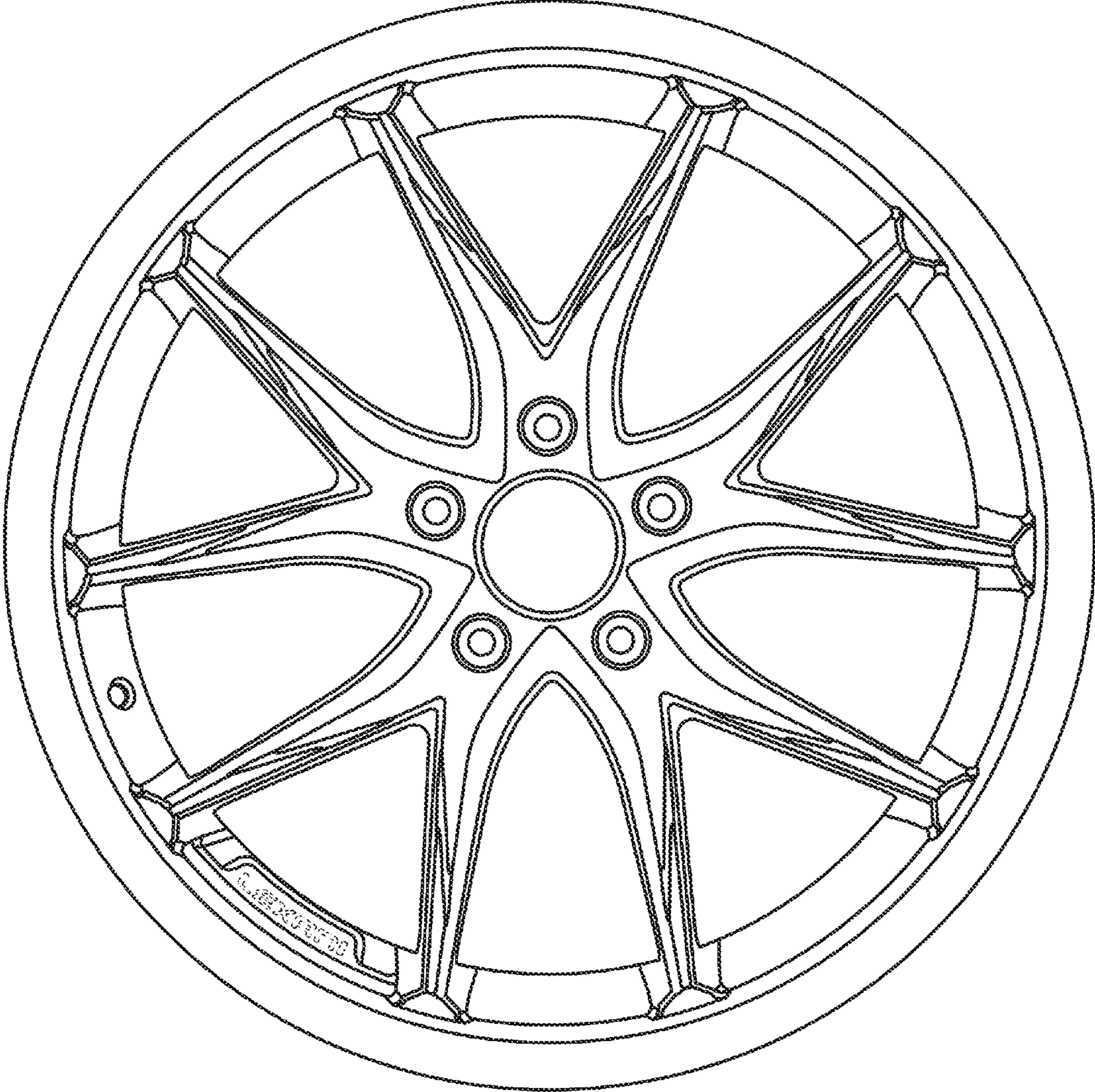


Fig. 1

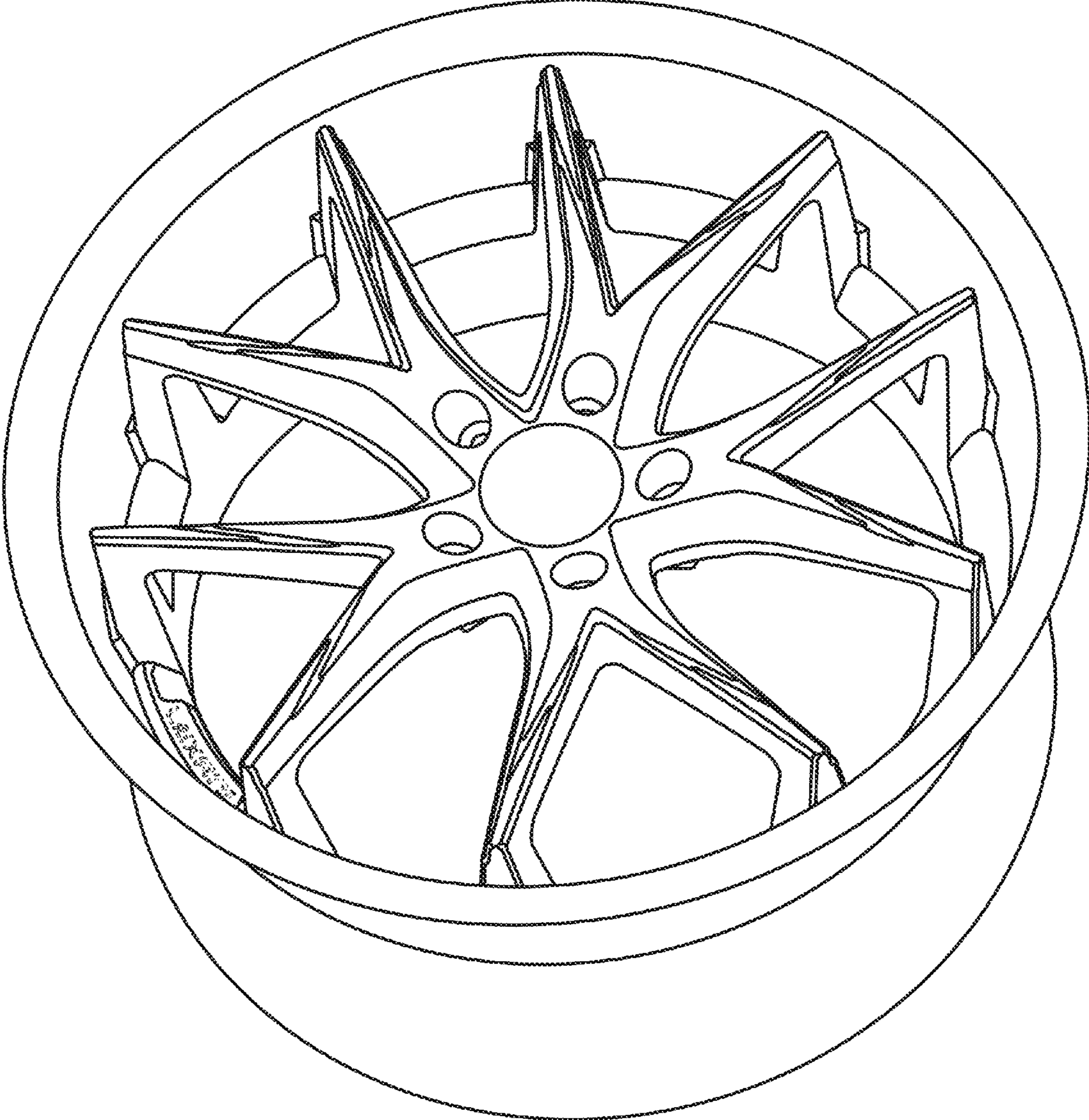


Fig. 2