



US00D749480S

(12) **United States Design Patent**  
**Yu et al.**

(10) **Patent No.:** **US D749,480 S**  
(45) **Date of Patent:** **\*\* Feb. 16, 2016**

(54) **TAILGATE PANEL FOR AUTOMOBILE**

(71) Applicant: **Kia Motors Corporation**, Seoul (KR)

(72) Inventors: **Seung Won Yu**, Gyeonggi-do (KR); **Ki Eun Kim**, Gyeonggi-do (KR); **Yun Seok Oh**, Gyeonggi-do (KR); **Jun Hyuk Kim**, Gyeonggi-do (KR)

(73) Assignee: **Kia Motors Corporation**, Seoul (KR)

(\*\*) Term: **14 Years**

(21) Appl. No.: **29/512,197**

(22) Filed: **Dec. 17, 2014**

(30) **Foreign Application Priority Data**

Jul. 4, 2014 (KR) ..... 30-2014-0032846

(51) **LOC (10) Cl.** ..... **12-16**

(52) **U.S. Cl.**  
USPC ..... **D12/196**

(58) **Field of Classification Search**  
USPC ..... D12/196, 90-92, 86; 296/181.1, 181.5,  
296/146.12, 146.7  
CPC .... B62D 35/001; B62D 31/003; B62D 24/02;  
B62D 25/08; B62D 33/00; B62D 25/06;  
B60J 5/0416  
See application file for complete search history.

(56) **References Cited**

**U.S. PATENT DOCUMENTS**

6,019,418 A \* 2/2000 Emerling ..... B60J 5/0416  
296/146.7  
D501,167 S \* 1/2005 Otto ..... D12/196  
7,011,357 B2 \* 3/2006 Seksaria ..... B60J 1/1884  
296/146.12  
D540,234 S \* 4/2007 Fujimaki ..... D12/196

D558,658 S \* 1/2008 Leclercq ..... D12/196  
D580,330 S \* 11/2008 Gueler ..... D12/196  
D582,824 S \* 12/2008 Kobayashi ..... D12/196  
D600,616 S \* 9/2009 Mattin ..... D12/196  
D647,835 S \* 11/2011 Sowa ..... D12/196  
D663,665 S \* 7/2012 Hakamata ..... D12/196  
D681,529 S \* 5/2013 Minami ..... D12/196  
D695,180 S \* 12/2013 Hildebrand ..... D12/196  
D706,191 S \* 6/2014 Choi ..... D12/196  
D718,695 S \* 12/2014 Galante ..... D12/196  
D725,566 S \* 3/2015 Rupar ..... D12/196  
D726,615 S \* 4/2015 Wolff ..... D12/196  
D736,128 S \* 8/2015 Blanski ..... D12/196  
D738,802 S \* 9/2015 Mueller-Stolz ..... D12/196

\* cited by examiner

*Primary Examiner* — Melody Brown

(74) *Attorney, Agent, or Firm* — Mintz Levin Cohn Ferris  
Glovsky and Popeo, P.C.; Kongsik Kim

(57) **CLAIM**

The ornamental design for a tailgate panel for automobile, as shown and described.

**DESCRIPTION**

FIG. 1 is a perspective view of a tailgate panel for automobile according to the present invention.  
FIG. 2 is a front view of the tailgate panel for automobile of FIG. 1.  
FIG. 3 is a rear view of the tailgate panel for automobile of FIG. 1.  
FIG. 4 is a left side view of the tailgate panel for automobile of FIG. 1.  
FIG. 5 is a right side view of the tailgate panel for automobile of FIG. 1.  
FIG. 6 is a top view of the tailgate panel for automobile of FIG. 1; and,  
FIG. 7 is a bottom view of the tailgate panel for automobile of FIG. 1.

**1 Claim, 7 Drawing Sheets**



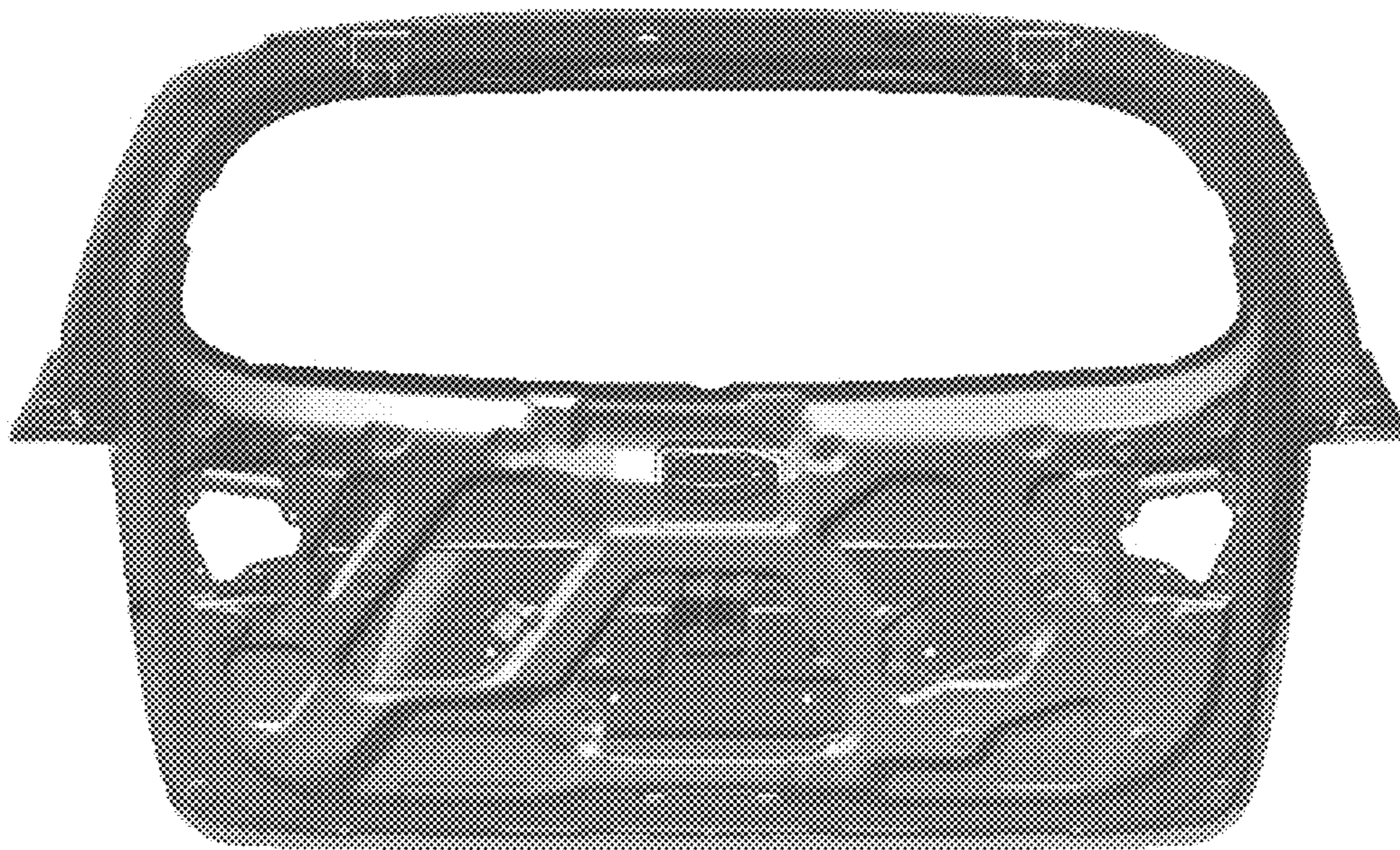
**FIG. 1**



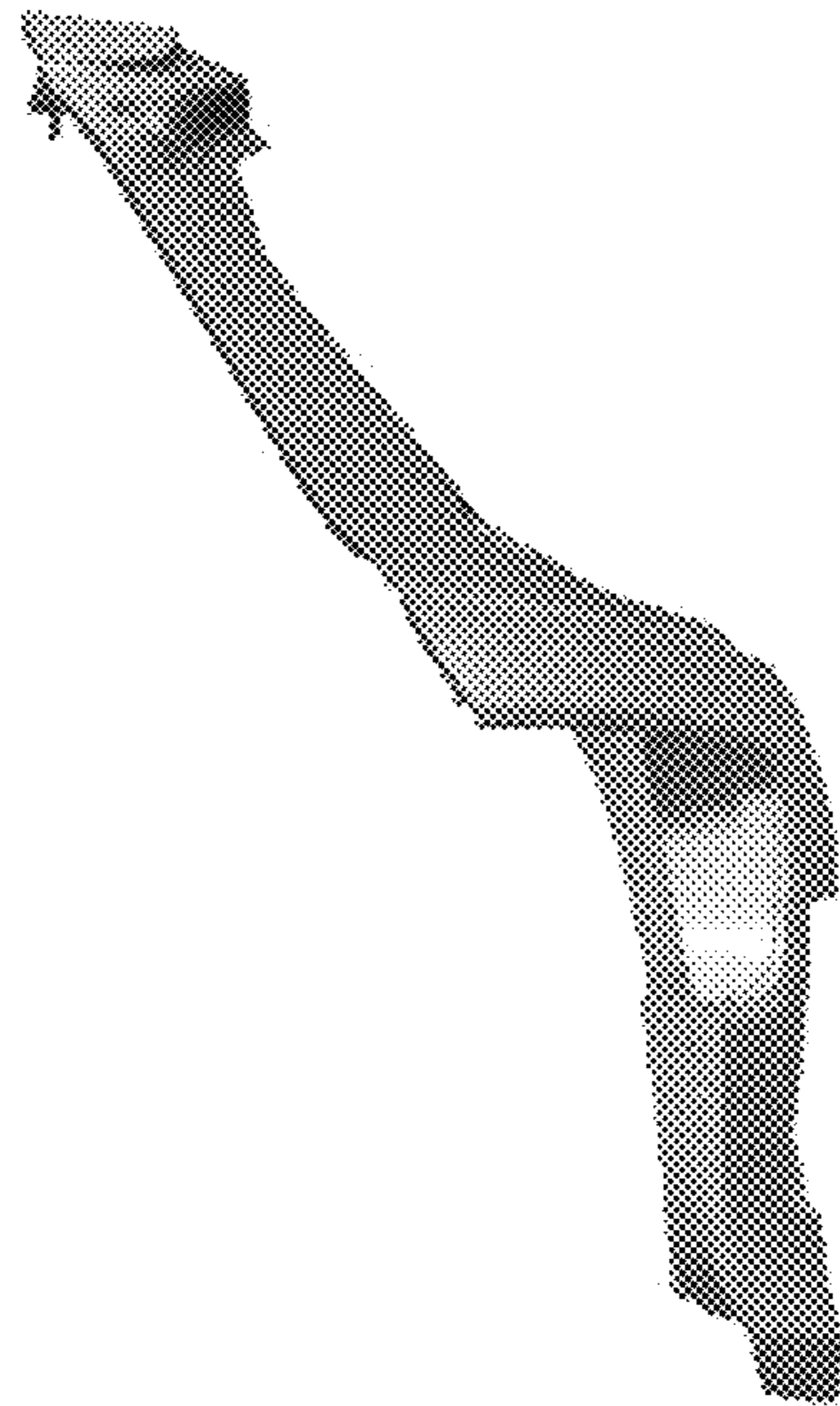
**FIG. 2**



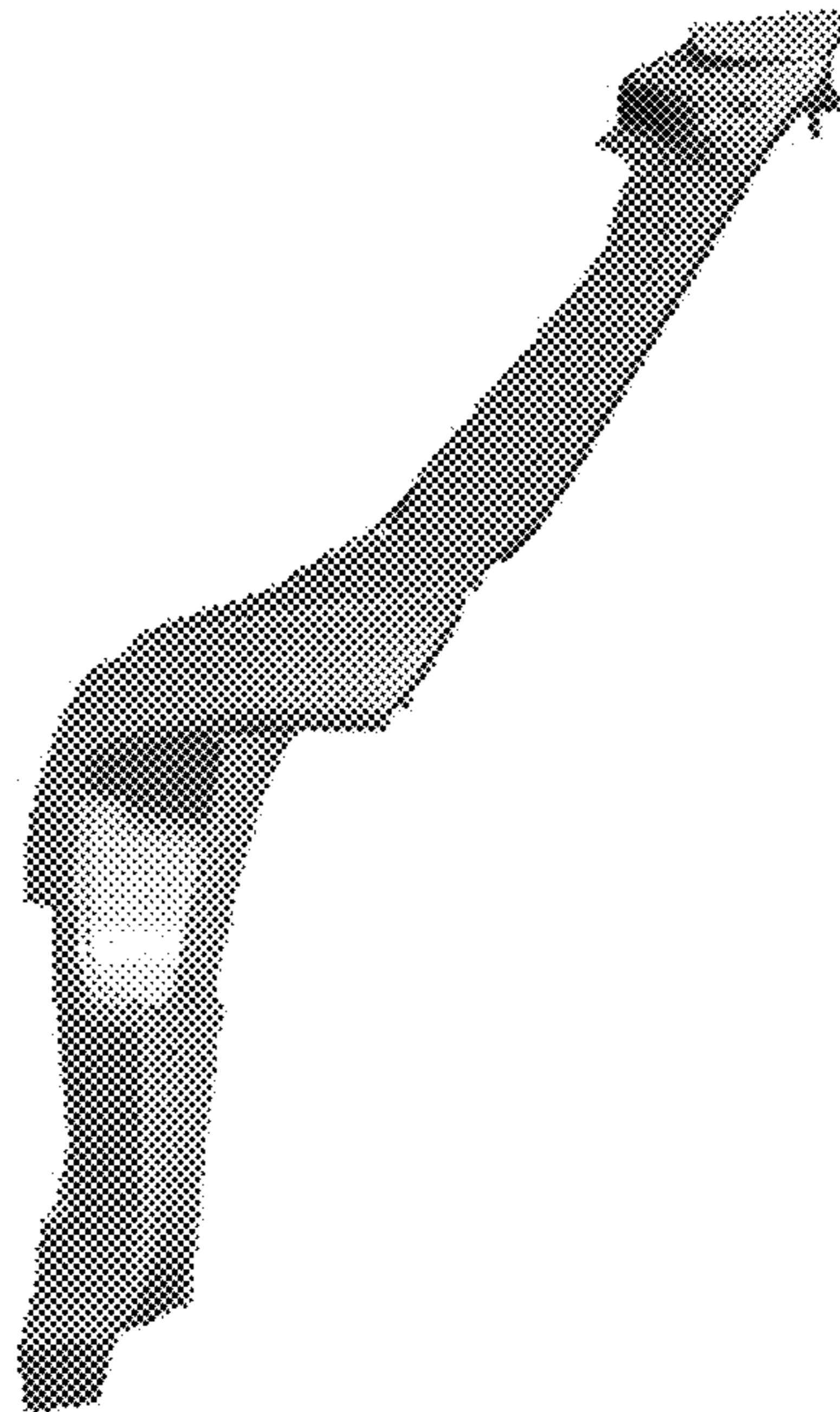
**FIG. 3**



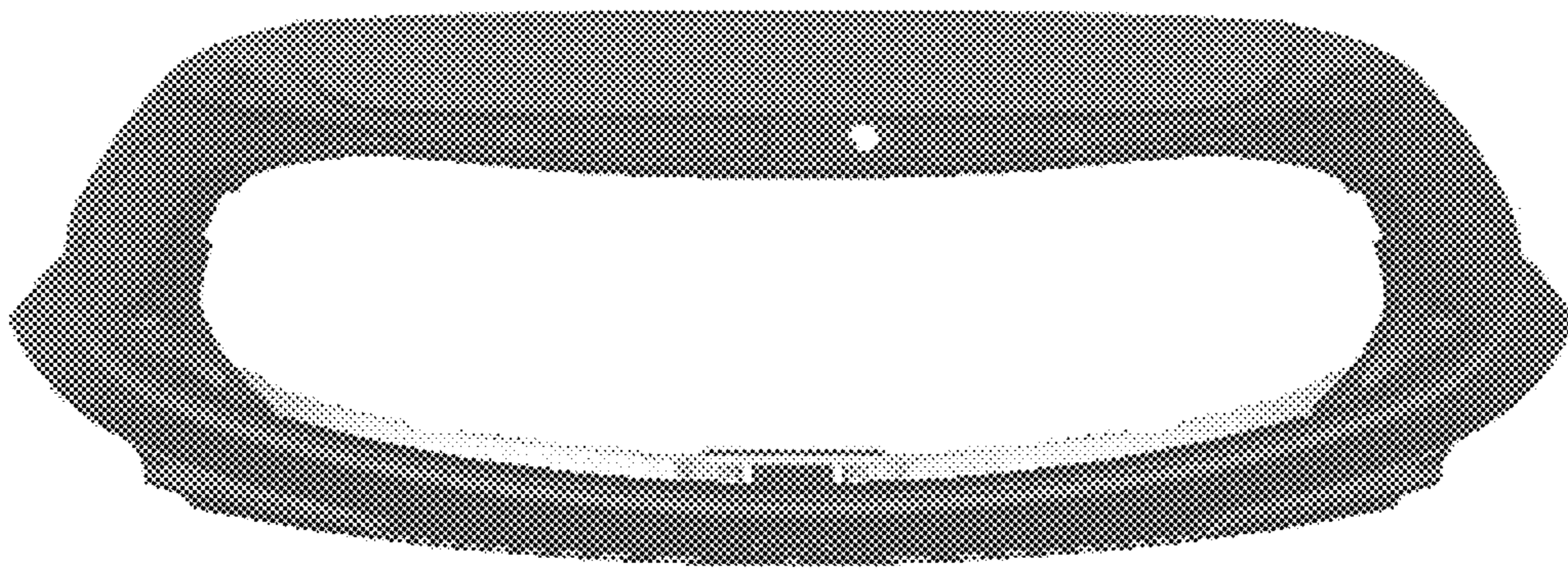
**FIG. 4**



**FIG. 5**



**FIG. 6**



**FIG. 7**

