



US00D749478S

(12) **United States Design Patent**
Battams

(10) **Patent No.:** **US D749,478 S**
(45) **Date of Patent:** **** Feb. 16, 2016**

(54) **VEHICLE FENDER**

(71) Applicant: **Jaguar Land Rover Limited**, Coventry
(GB)

(72) Inventor: **Robert Battams**, Coventry (GB)

(73) Assignee: **Jaguar Land Rover Limited** (GB)

(**) Term: **14 Years**

(21) Appl. No.: **29/512,706**

(22) Filed: **Dec. 22, 2014**

(30) **Foreign Application Priority Data**

Jun. 24, 2014 (EM) 002489187

Jun. 24, 2014 (EM) 002489690

(51) **LOC (10) Cl.** **12-16**

(52) **U.S. Cl.**
USPC **D12/184**

(58) **Field of Classification Search**
USPC D12/184, 196, 90-92; 280/152.1, 847,
280/848, 849, 851; 296/181.1, 181.5
CPC B62D 25/02; B62D 25/16; B62D 25/18;
B62D 25/162; B62D 25/161; B62D 25/168;
B62D 25/182; B62D 25/186; B62D 25/188

See application file for complete search history.

(56) **References Cited**

U.S. PATENT DOCUMENTS

D642,101 S *	7/2011	Faghihzadeh	D12/181
D642,966 S *	8/2011	Messale	D12/181
D644,971 S *	9/2011	Kumai	D12/181
D680,927 S *	4/2013	Messale	D12/184
D722,930 S *	2/2015	George	D12/184

* cited by examiner

Primary Examiner — Melody N Brown

(74) *Attorney, Agent, or Firm* — Fishman Stewart PLLC

(57) **CLAIM**

The ornamental design for a vehicle fender, as shown and described.

DESCRIPTION

FIG. 1 is an opposite side perspective view of a vehicle fender;

FIG. 2 is an opposite side perspective view of a vehicle fender;

FIG. 3 is a front view of a vehicle fender;

FIG. 4 is a rear view of a vehicle fender;

FIG. 5 is an opposite side elevational view of a vehicle fender;

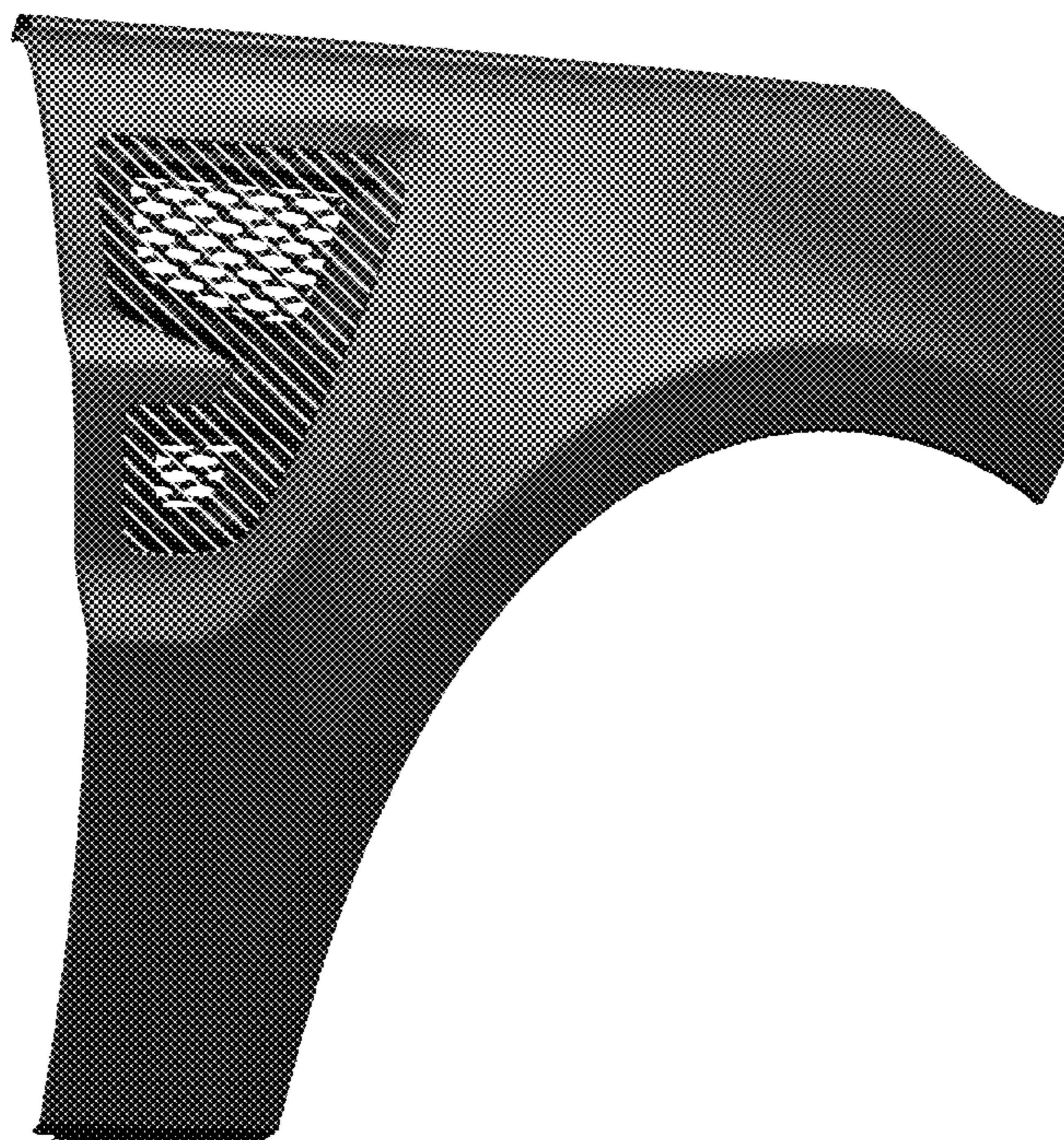
FIG. 6 is an opposite side elevational view of a vehicle fender;

FIG. 7 is a top view of a vehicle fender; and,

FIG. 8 is a front perspective view of a vehicle fender in the installed position on a vehicle.

Portions of FIG. 8 the vehicle shown in halftone are for illustrative purposes only and form to part of the claimed design. Portions of the vehicle in FIG. 8 shown in diagonal lines are for illustrative purposes only and form no part of the claimed design.

1 Claim, 6 Drawing Sheets



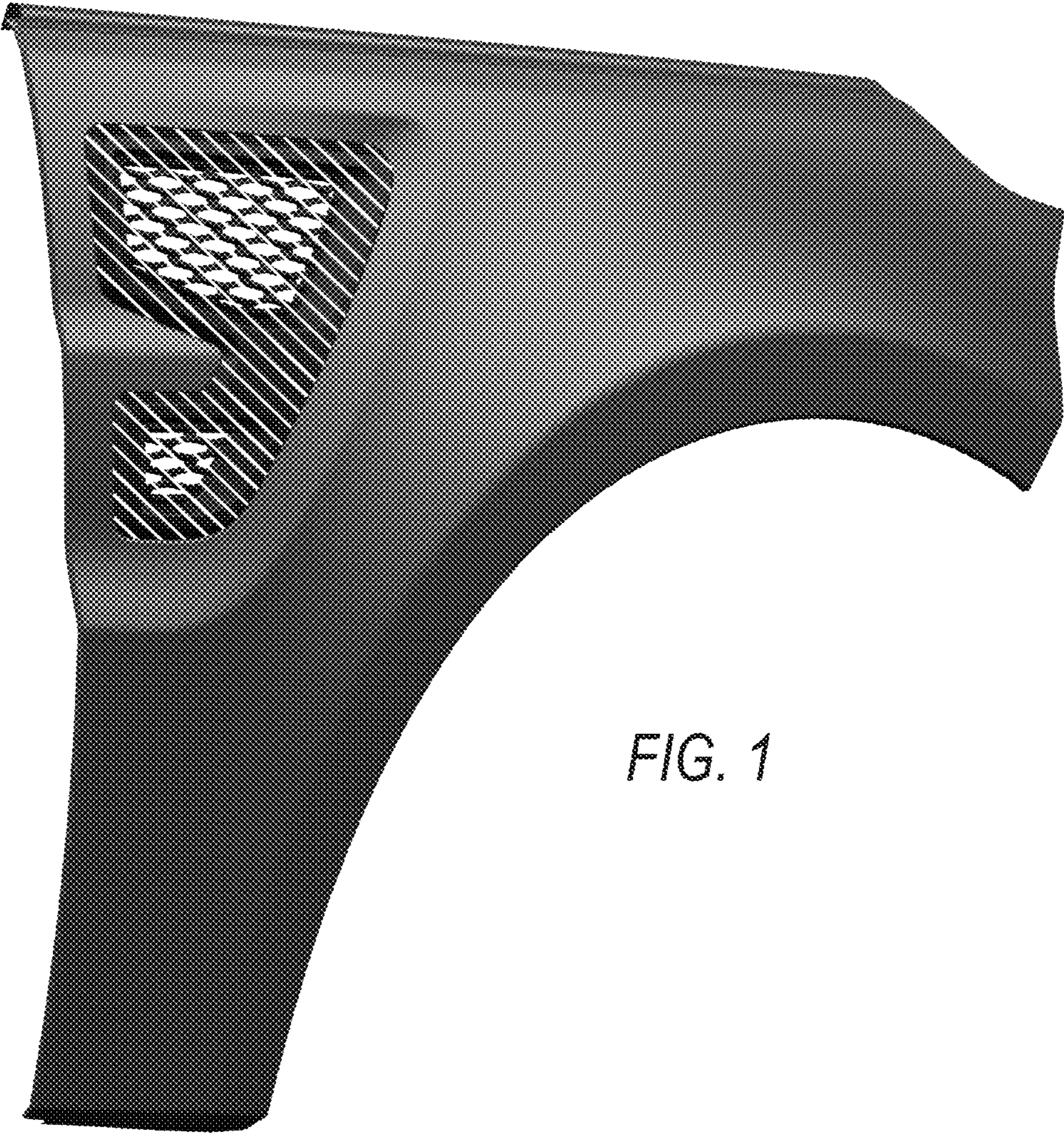


FIG. 1



FIG. 2



FIG. 3



FIG. 4

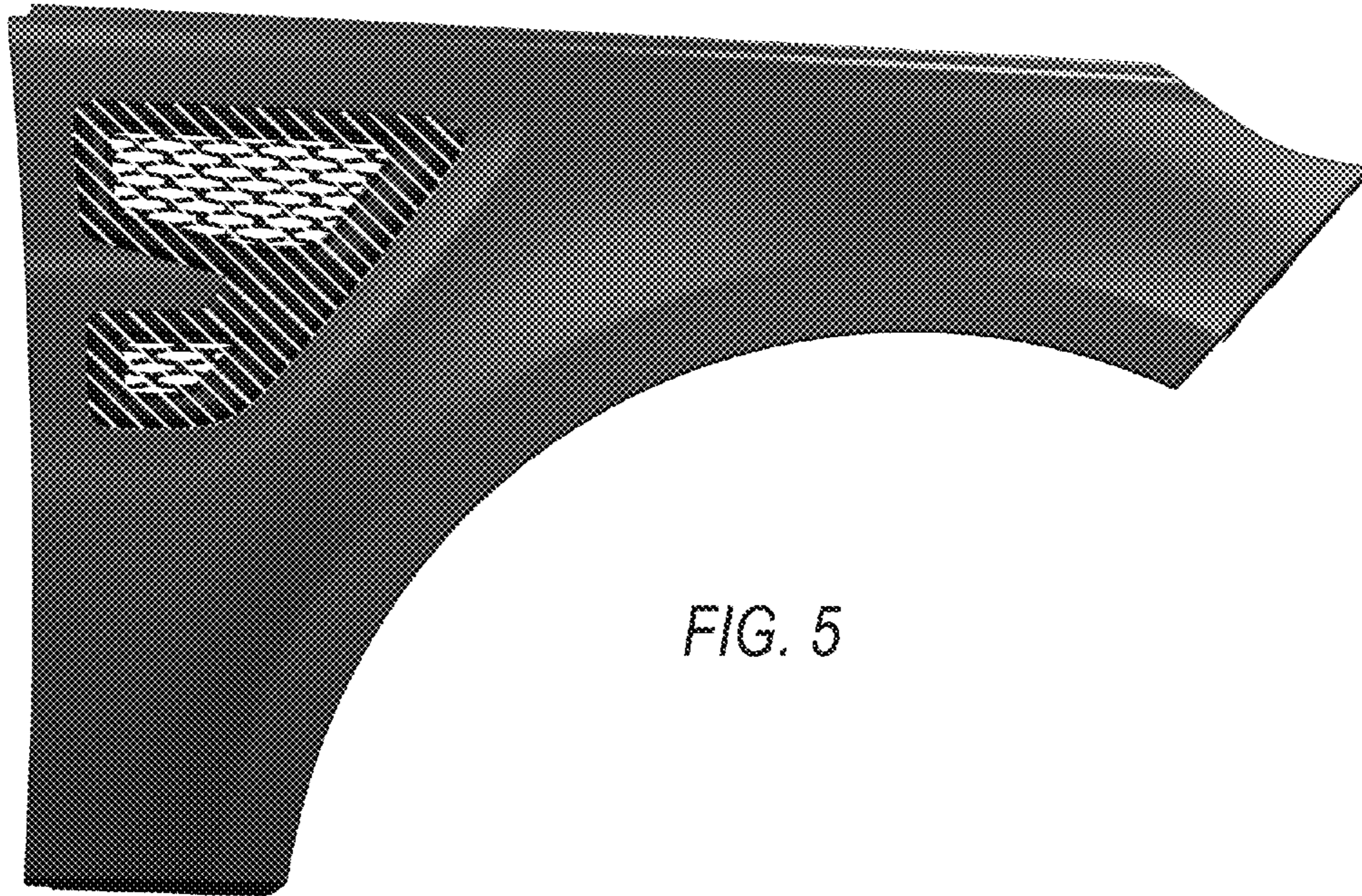


FIG. 5

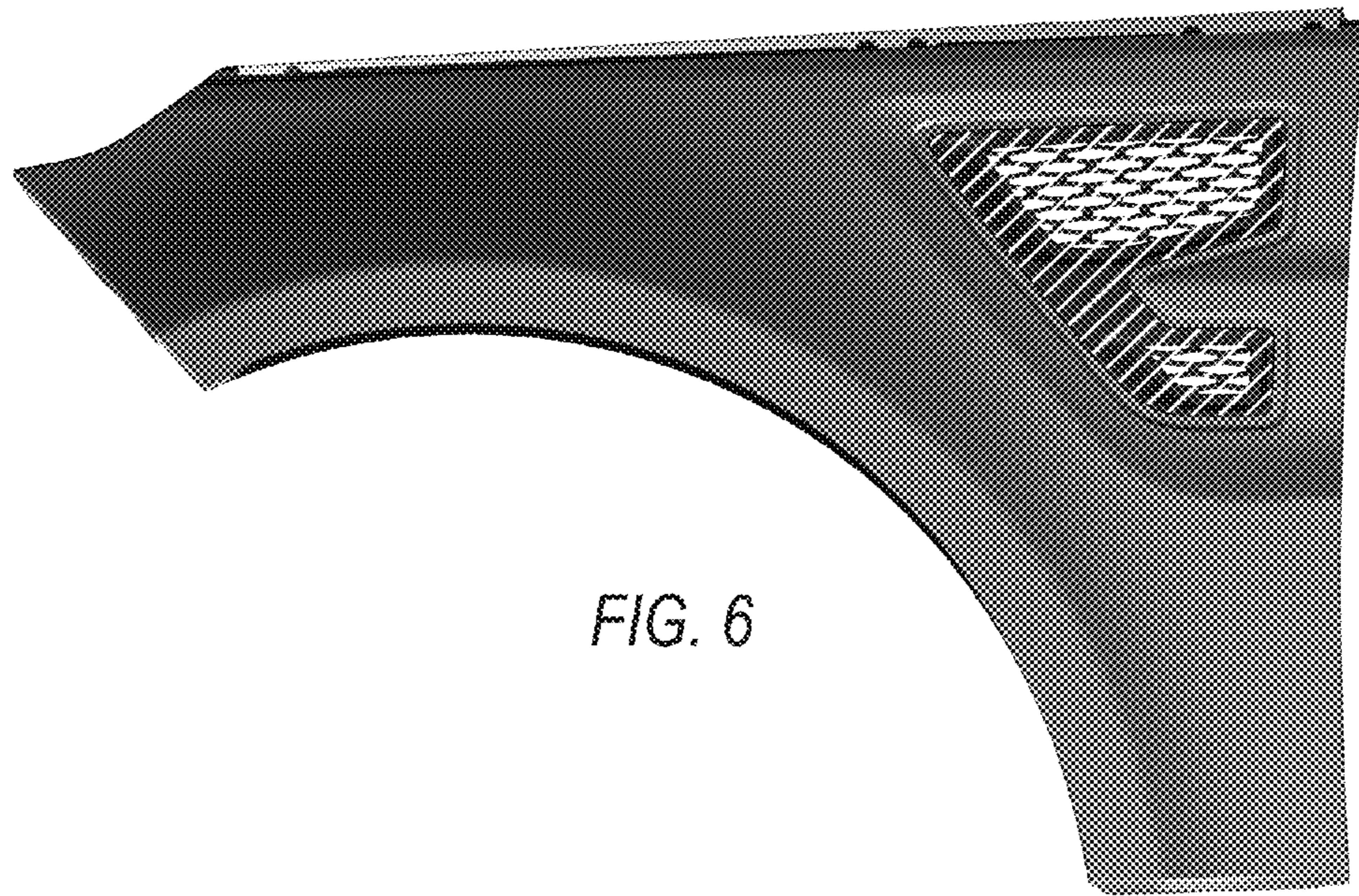


FIG. 6

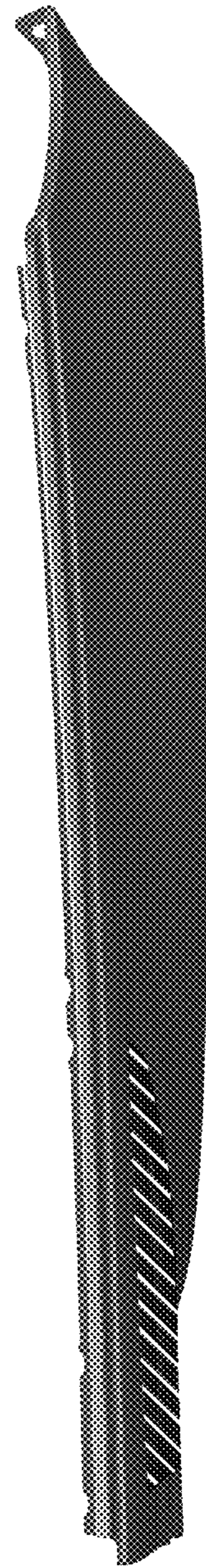


FIG. 7

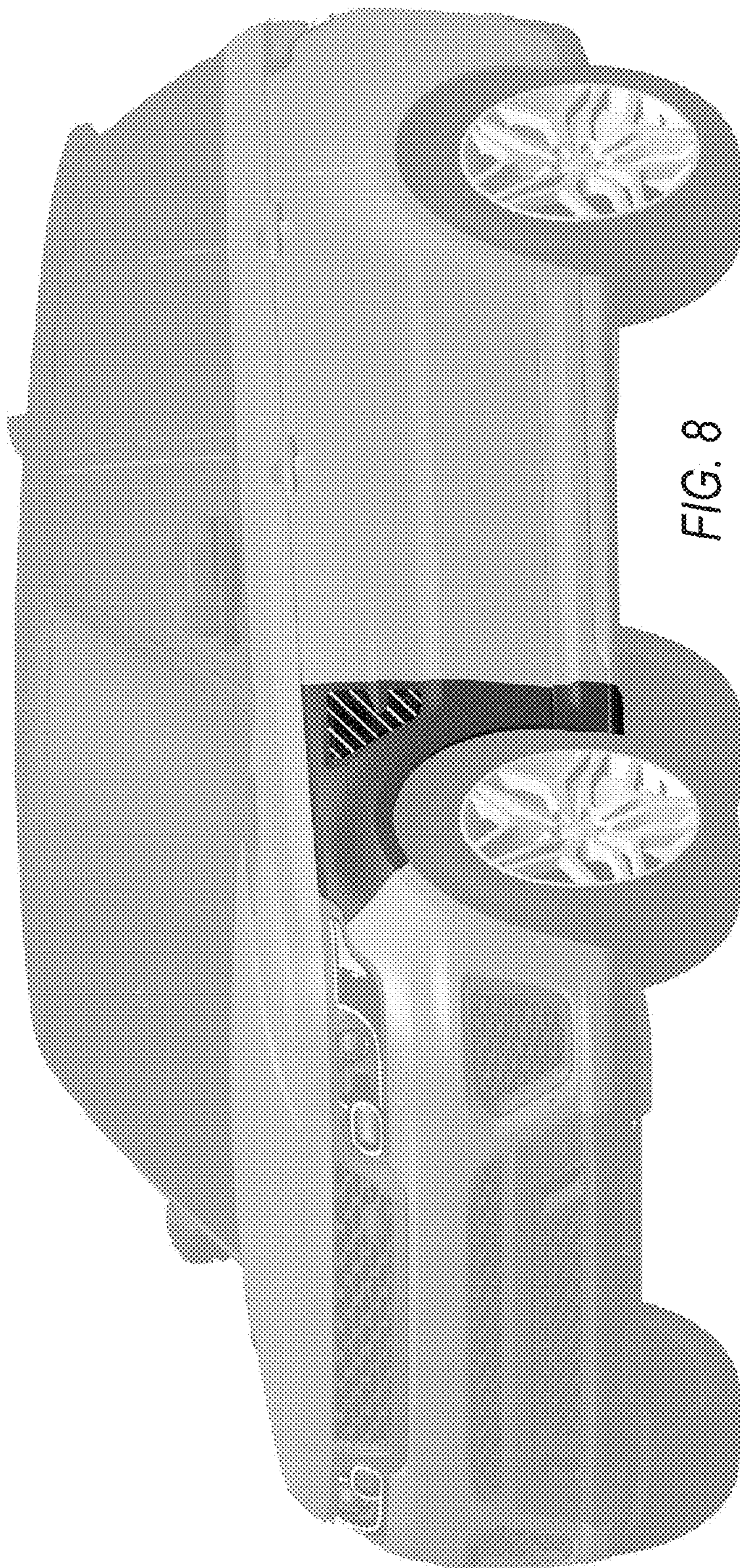


FIG. 8