



US00D749475S

(12) **United States Design Patent**
Battams

(10) **Patent No.:** **US D749,475 S**

(45) **Date of Patent:** **** Feb. 16, 2016**

(54) **VEHICLE BUMPER**

(71) Applicant: **Jaguar Land Rover Limited**, Coventry (GB)

(72) Inventor: **Robert Battams**, Coventry (GB)

(73) Assignee: **Jaguar Land Rover Limited** (GB)

(**) Term: **14 Years**

(21) Appl. No.: **29/512,582**

(22) Filed: **Dec. 19, 2014**

(30) **Foreign Application Priority Data**

Jun. 24, 2014 (EM) 002489187

Jun. 24, 2014 (EM) 002489690

(51) **LOC (10) Cl.** **12-16**

(52) **U.S. Cl.**
USPC **D12/169**

(58) **Field of Classification Search**
USPC D12/169, 216, 90-92, 86, 171, 196,
D12/163; 293/102, 113, 115, 117, 120;
296/180.1, 180.2
CPC . B60R 19/52; B60R 2019/25; B62D 25/0845
See application file for complete search history.

(56) **References Cited**

U.S. PATENT DOCUMENTS

D570,750 S * 6/2008 Sato D12/169

D670,623 S * 11/2012 Koehl D12/169

D682,169 S * 5/2013 Choi D12/169

D686,119 S * 7/2013 Futschik D12/169

D690,630 S * 10/2013 Kazama D12/169

D708,994 S * 7/2014 Thurber D12/169

D721,306 S * 1/2015 George D12/169

D731,370 S * 6/2015 Howell D12/169

D734,222 S * 7/2015 Duff D12/169

D735,097 S * 7/2015 Nissl D12/169

D738,271 S * 9/2015 Glover D12/169

* cited by examiner

Primary Examiner — Melody Brown

(74) *Attorney, Agent, or Firm* — Fishman Stewart PLLC

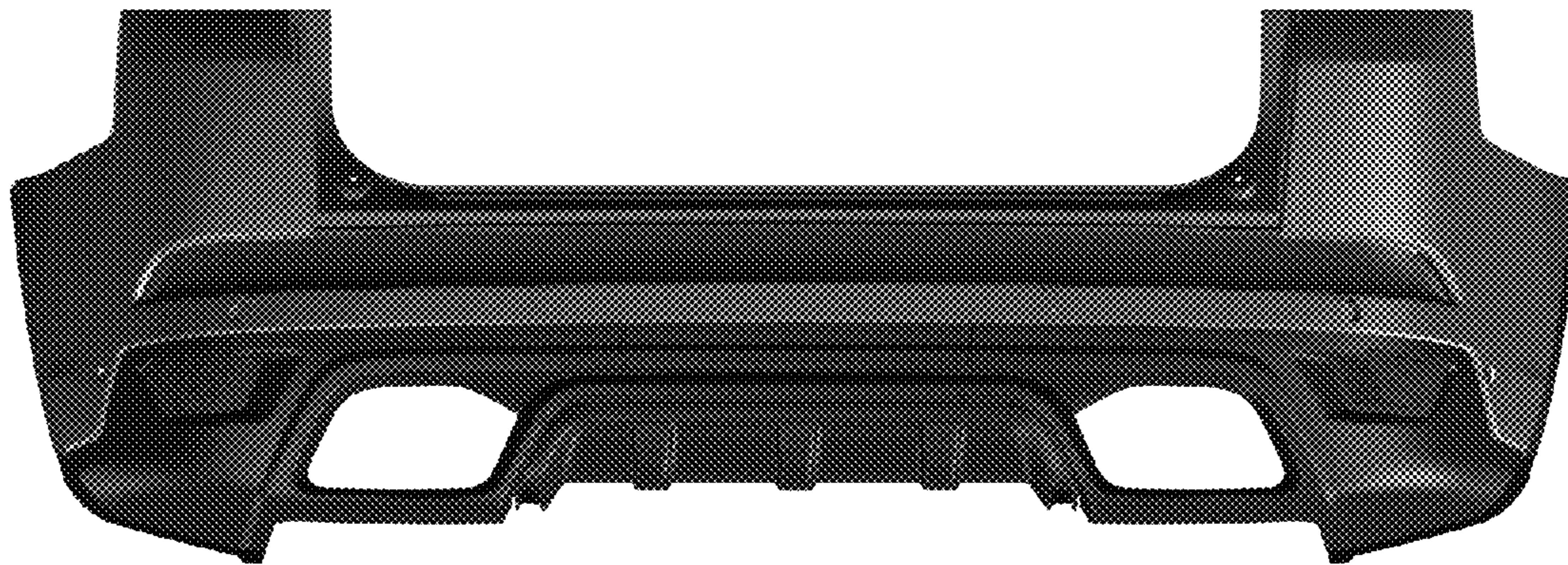
(57) **CLAIM**

The ornamental design for a vehicle bumper, as shown and described.

DESCRIPTION

FIG. 1 is a front perspective view of a vehicle bumper; FIG. 2 is a rear perspective view of a vehicle bumper; FIG. 3 is a front view of a vehicle bumper; FIG. 4 is a rear view of a vehicle bumper; FIG. 5 is a left side view of a vehicle bumper; FIG. 6 is a right side view of a vehicle bumper; FIG. 7 is a top view of a vehicle bumper; and, FIG. 8 is another rear perspective view of a vehicle bumper in the installed position on a vehicle. Portions of the vehicle in FIG. 8 shown in halftone are for illustrative purposes only and form to part of the claimed design.

1 Claim, 5 Drawing Sheets



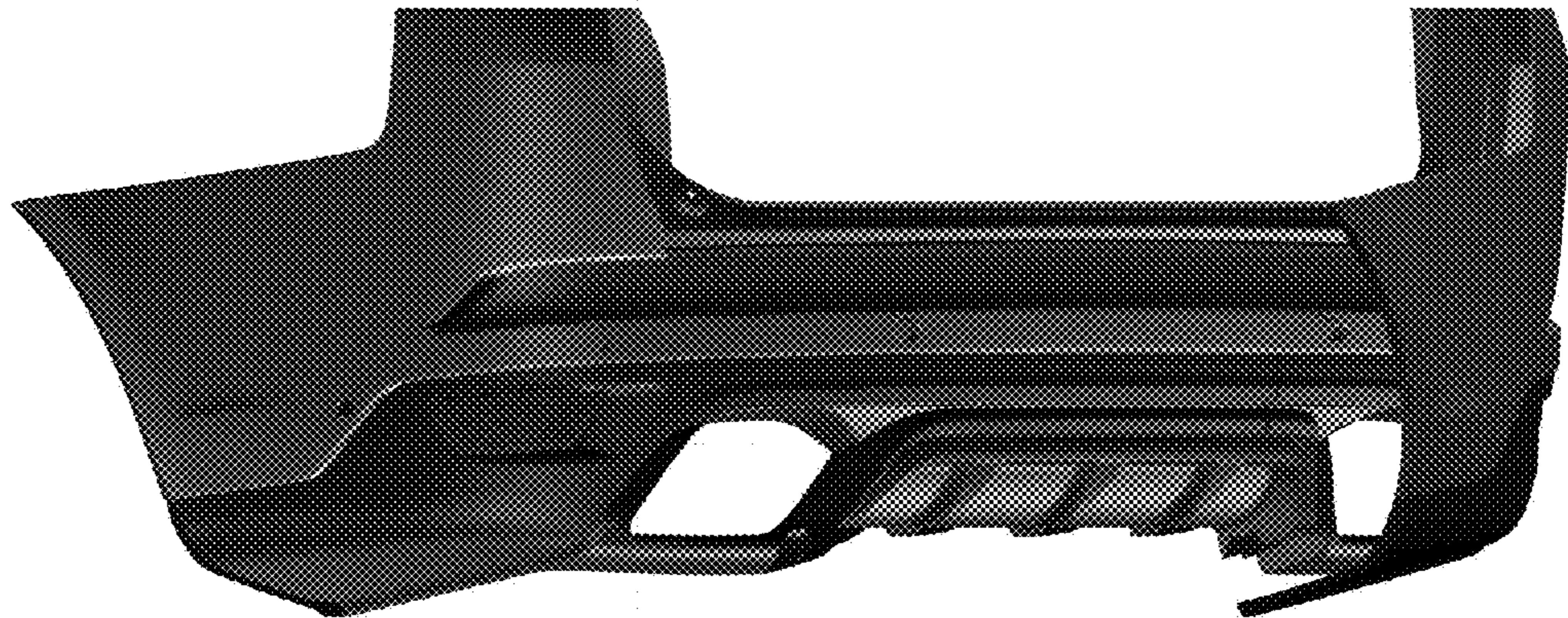


FIG. 1



FIG. 2

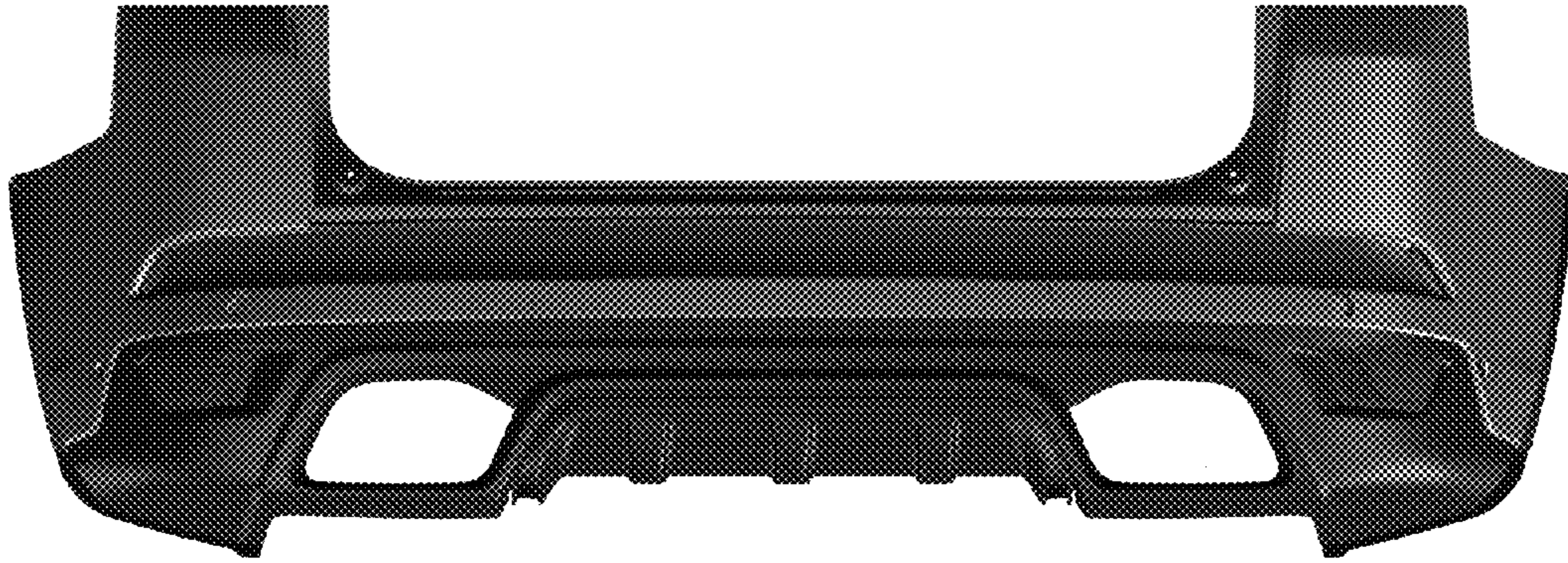


FIG. 3

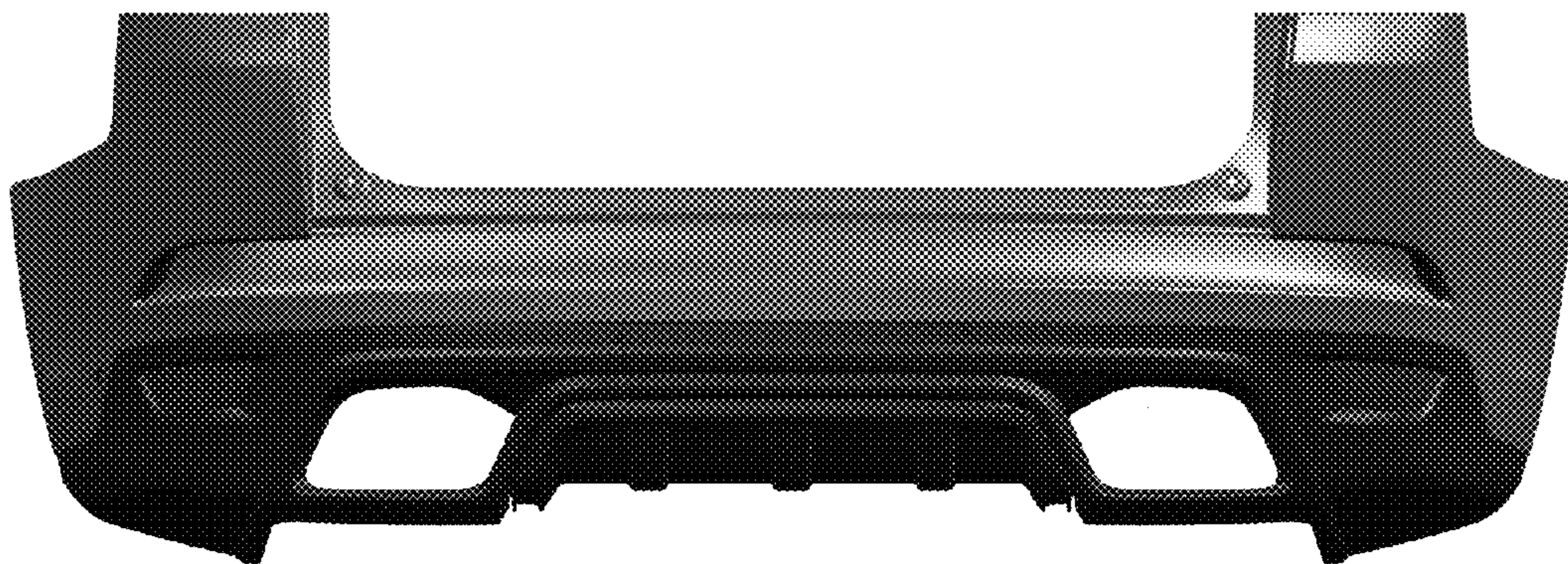


FIG. 4

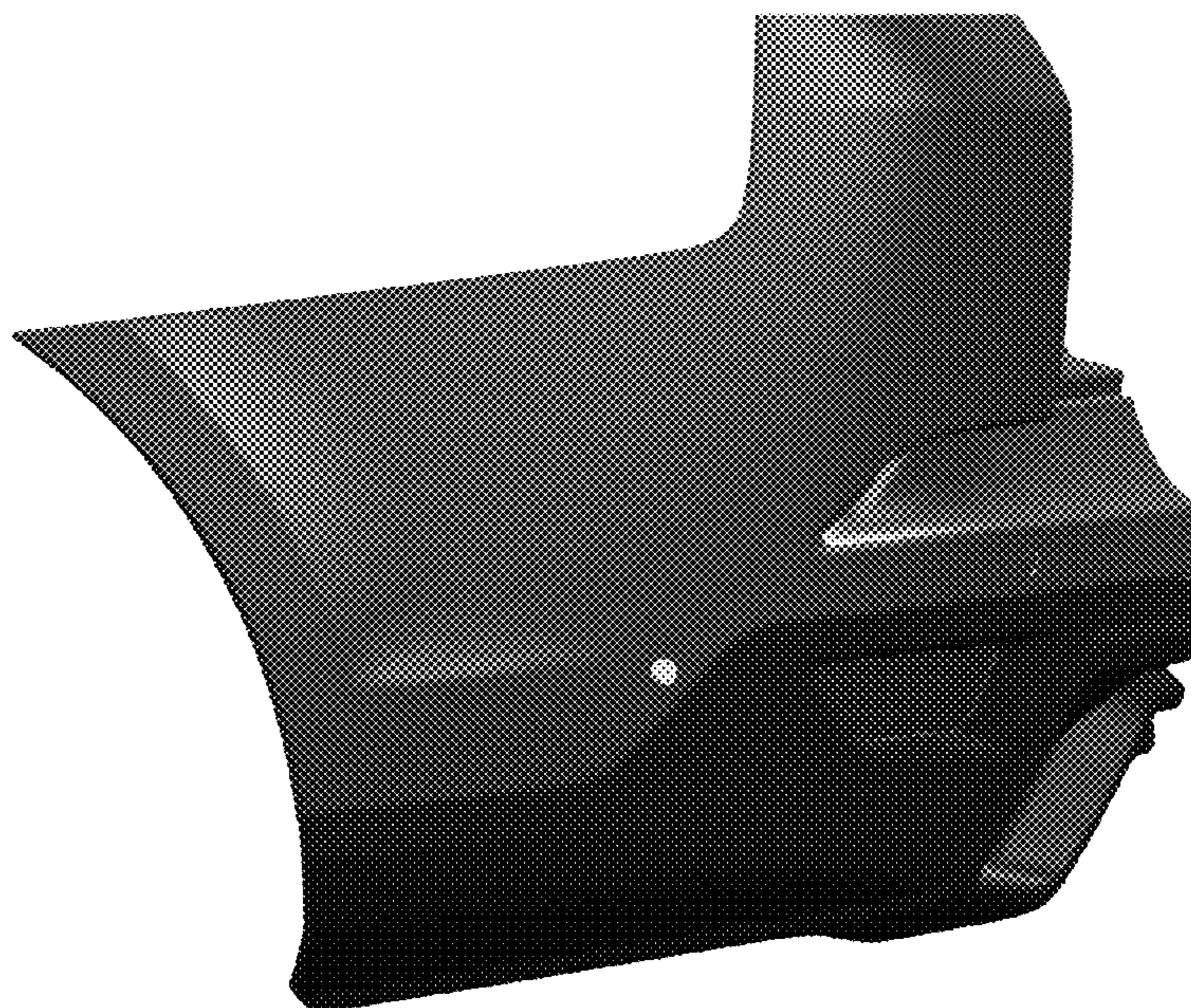
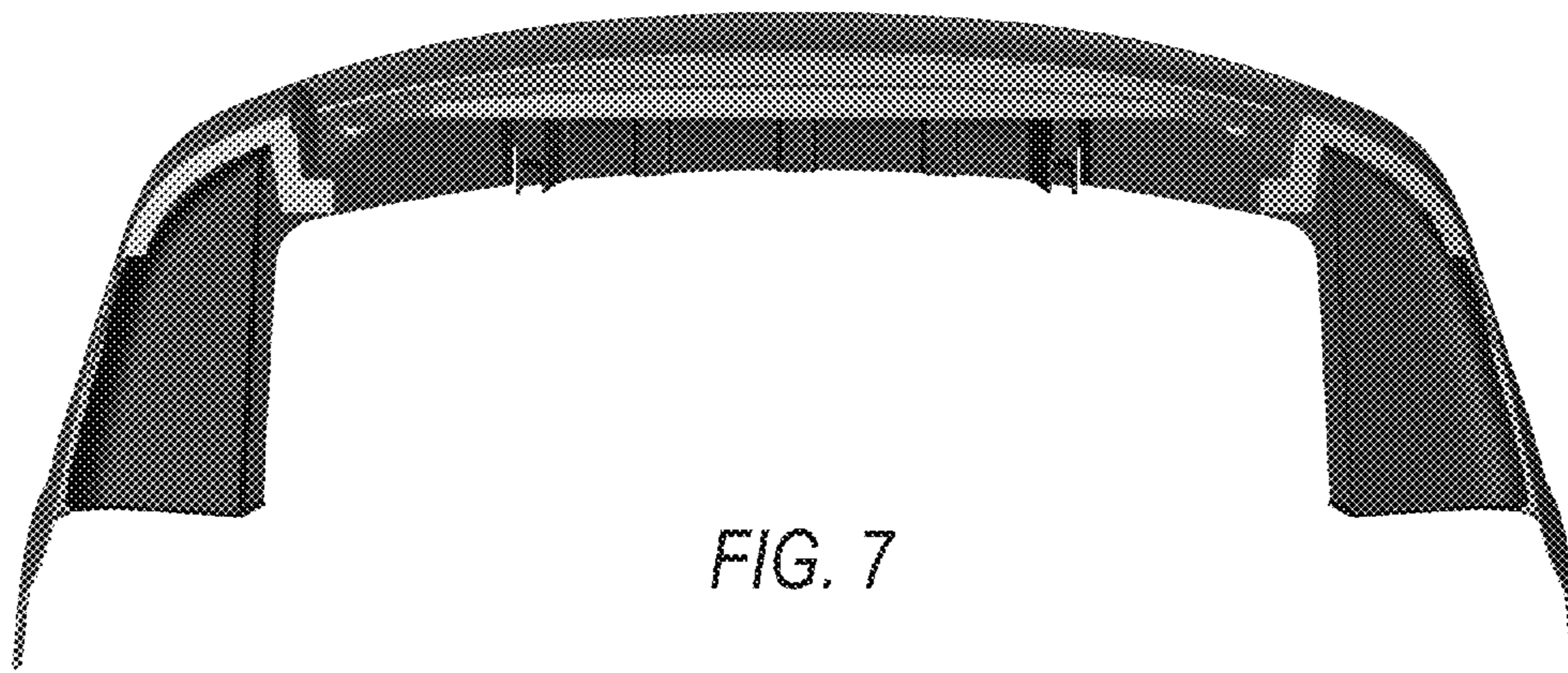


FIG. 5



FIG. 6



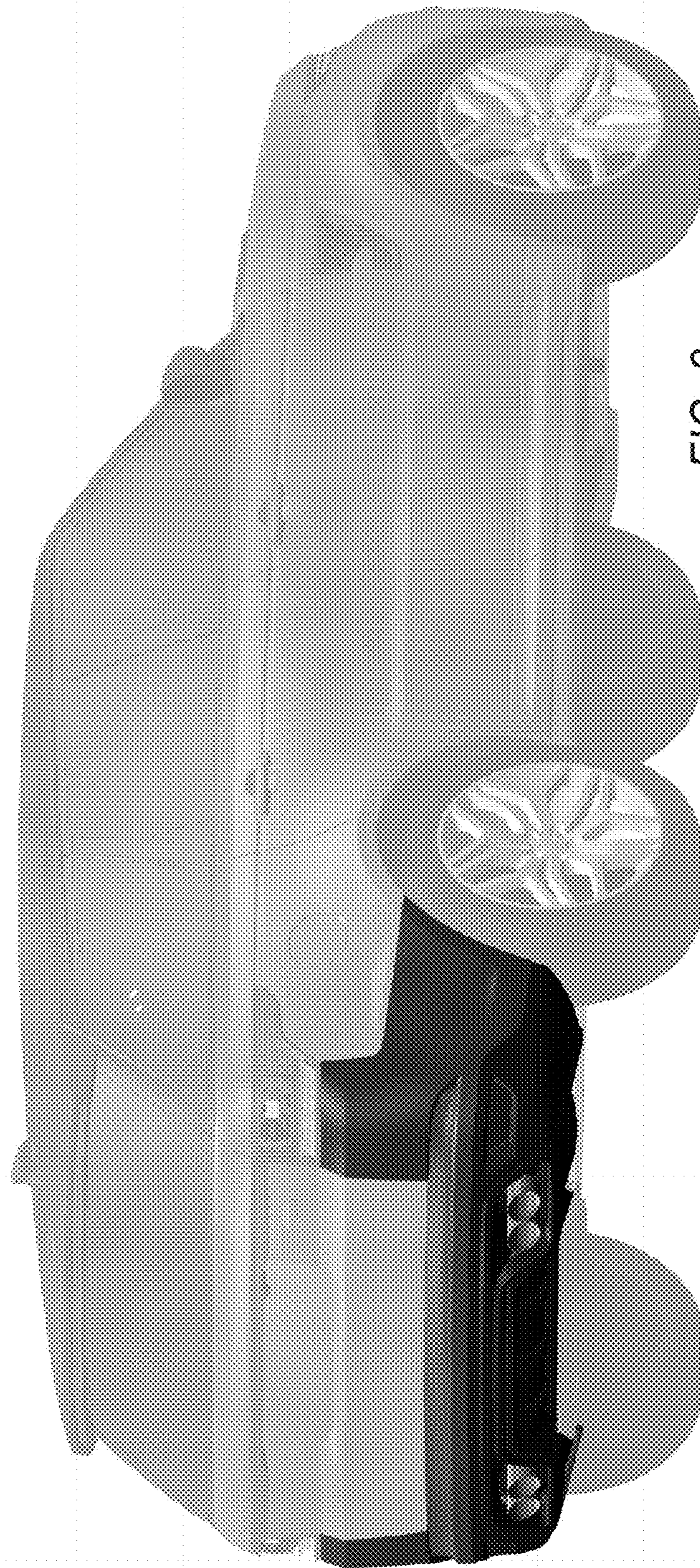


FIG. 8