



US00D749474S

(12) **United States Design Patent**
Battams

(10) **Patent No.:** **US D749,474 S**

(45) **Date of Patent:** **** Feb. 16, 2016**

(54) **VEHICLE BUMPER**

(71) Applicant: **Jaguar Land Rover Limited**, Coventry
(GB)

(72) Inventor: **Robert Battams**, Coventry (GB)

(73) Assignee: **Jaguar Land Rover Limited** (GB)

(**) Term: **14 Years**

(21) Appl. No.: **29/512,581**

(22) Filed: **Dec. 19, 2014**

(30) **Foreign Application Priority Data**

Jun. 24, 2014 (EM) 002489187

Jun. 24, 2014 (EM) 002489690

(51) **LOC (10) Cl.** **12-16**

(52) **U.S. Cl.**

USPC **D12/169**

(58) **Field of Classification Search**

USPC D12/169, 216, 90-92, 86, 171, 196,
D12/163; 293/102, 113, 115, 117, 120;
296/180.1, 180.2

CPC . B60R 19/52; B60R 2019/25; B62D 25/0845

See application file for complete search history.

(56) **References Cited**

U.S. PATENT DOCUMENTS

D695,166 S * 12/2013 Tada D12/169

D695,167 S * 12/2013 Platto D12/169

D705,706 S * 5/2014 Kawasaki D12/169

D711,295 S * 8/2014 Mackay D12/169

D718,681 S * 12/2014 Allen D12/169

D730,788 S * 6/2015 Howell D12/169

D736,683 S * 8/2015 Glover D12/169

D737,740 S * 9/2015 Goepfel D12/169

OTHER PUBLICATIONS

U.S. Appl. No. 29/500,996, Thole et al.*

* cited by examiner

Primary Examiner — Melody Brown

(74) *Attorney, Agent, or Firm* — Fishman Stewart
Yamaguchi PLLC

(57) **CLAIM**

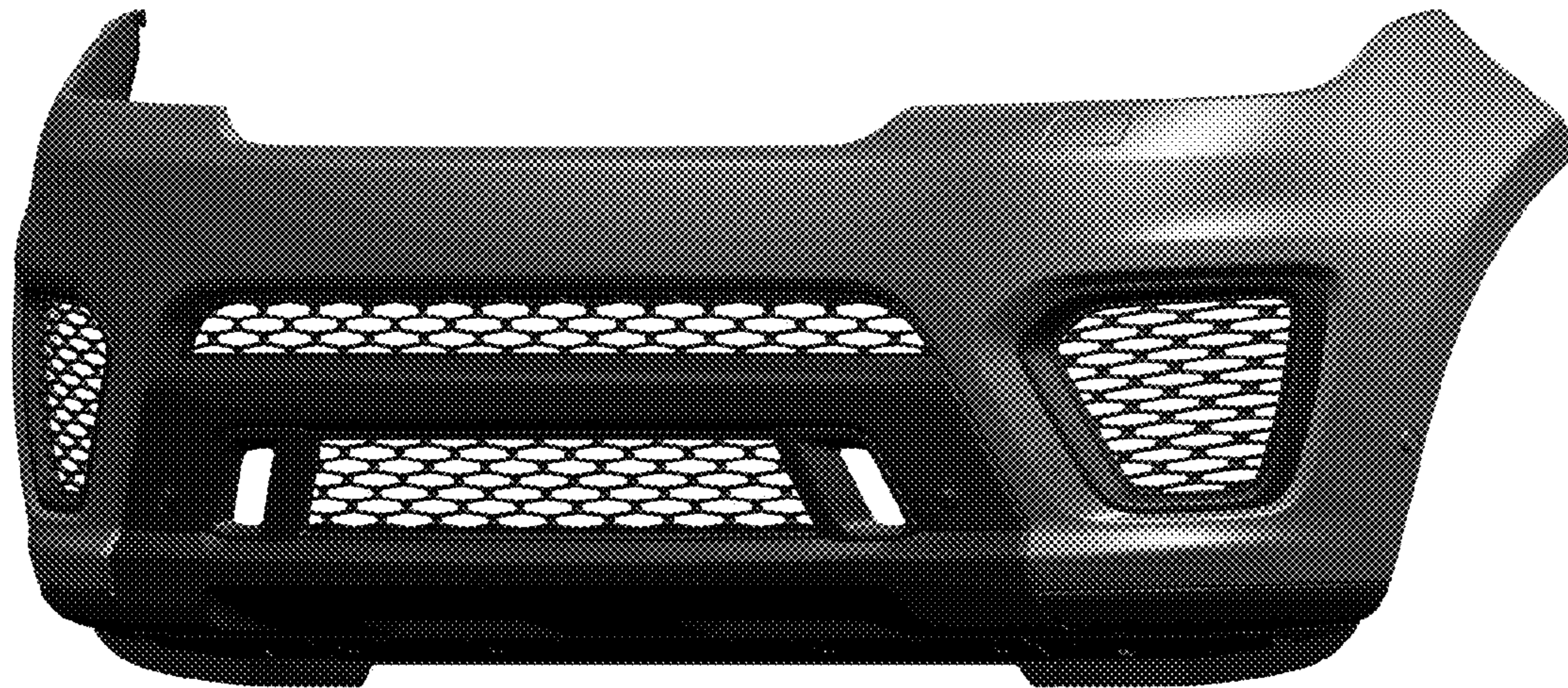
The ornamental design for a vehicle bumper, as shown and described.

DESCRIPTION

FIG. 1 is a front perspective view of a vehicle bumper;
FIG. 2 is a rear perspective view of a vehicle bumper;
FIG. 3 is a front view of a vehicle bumper;
FIG. 4 is a rear view of a vehicle bumper;
FIG. 5 is a view left side view of a vehicle bumper;
FIG. 6 is a right side view of a vehicle bumper;
FIG. 7 is a top view of a vehicle bumper; and,
FIG. 8 is another front perspective view of a vehicle bumper
in the installed position on a vehicle.

Portions of the vehicle FIG. 8 shown in halftone are for illustrative purposes only and form to part of the claimed design.

1 Claim, 5 Drawing Sheets



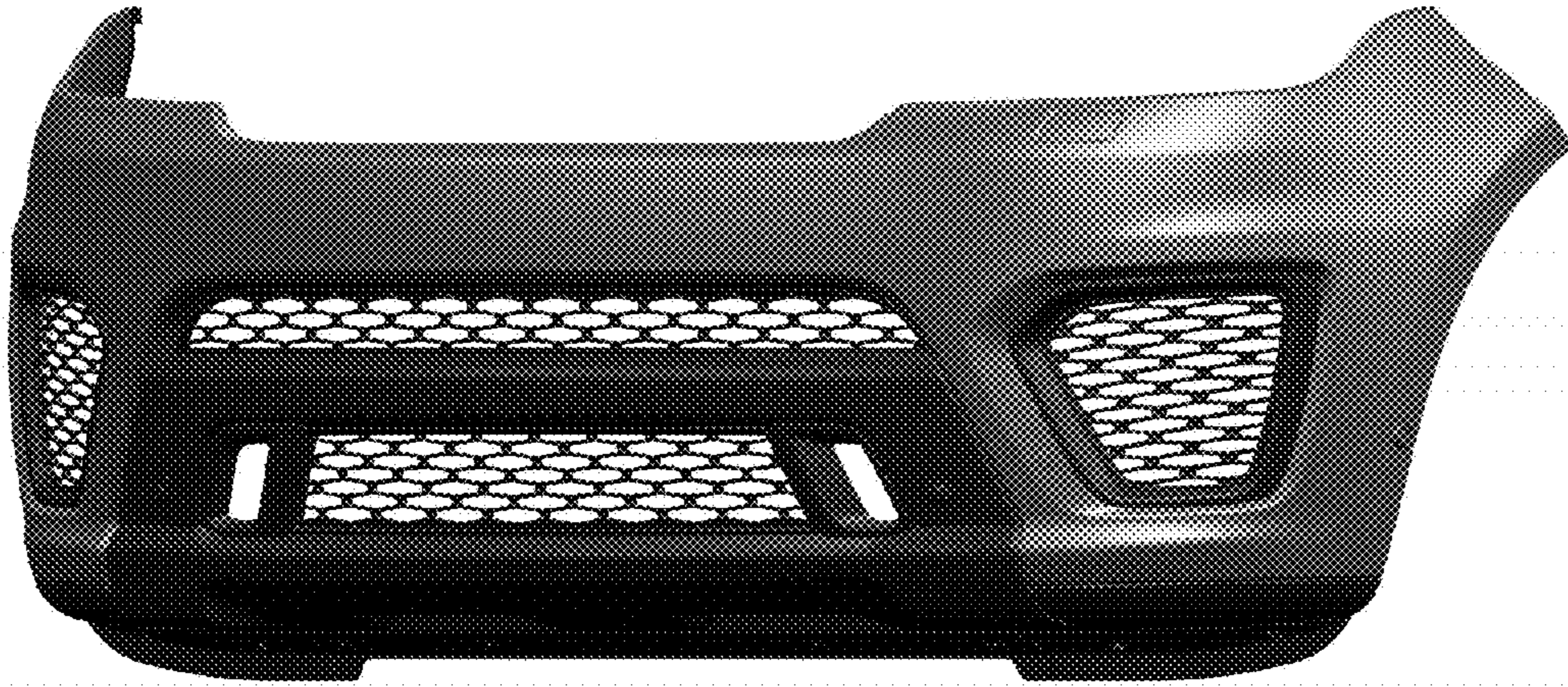


FIG. 1

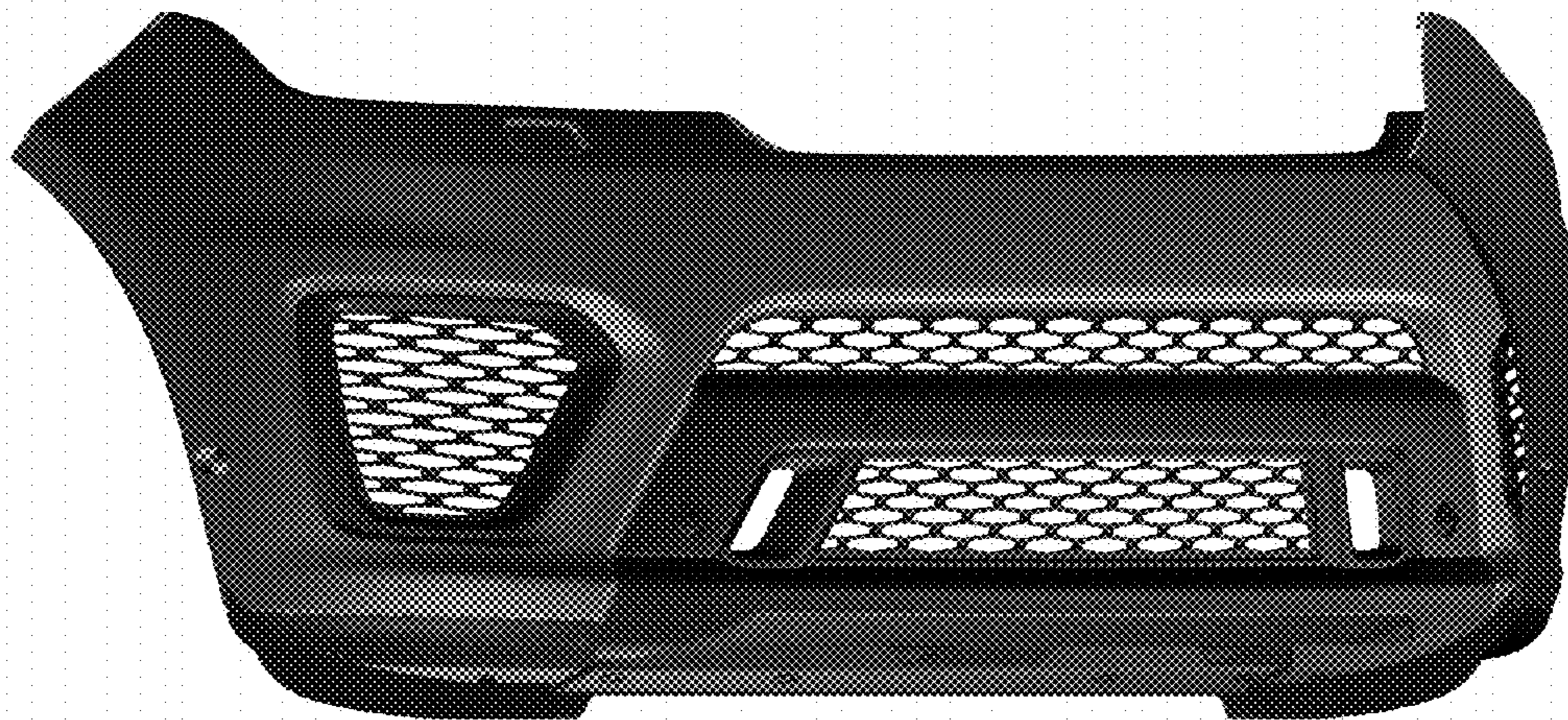


FIG. 2

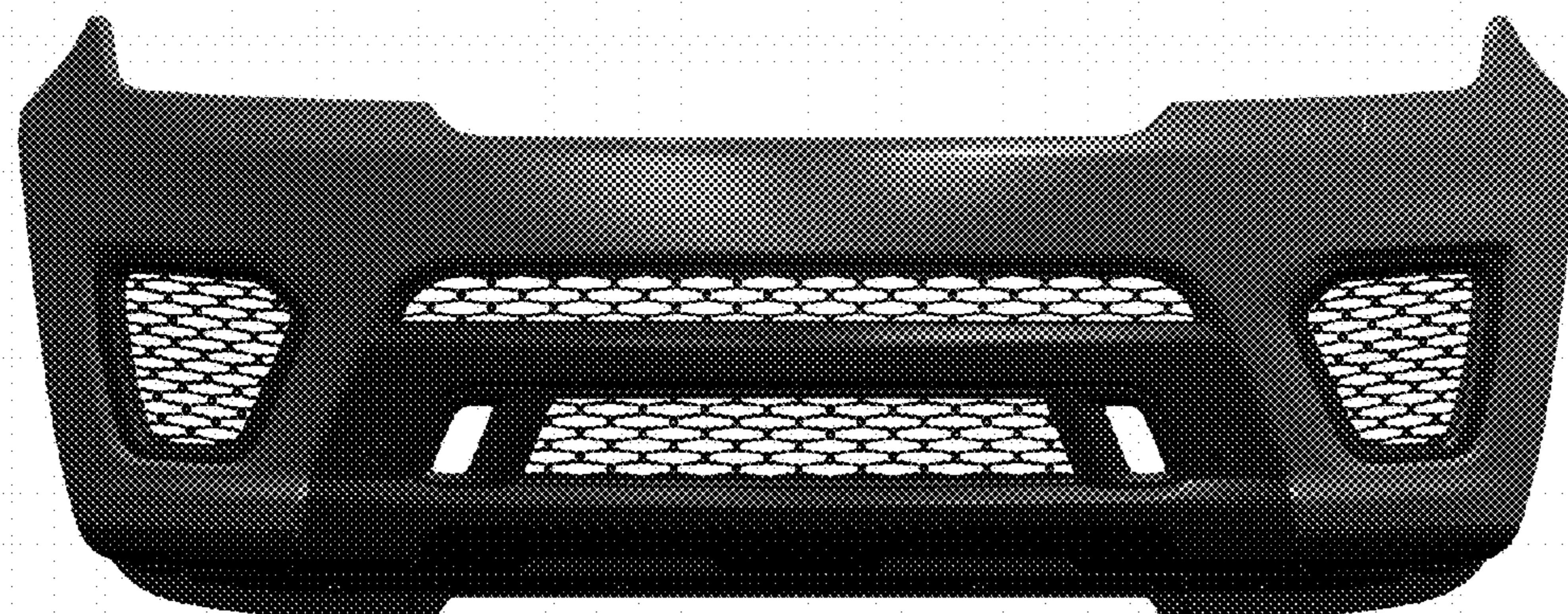


FIG. 3

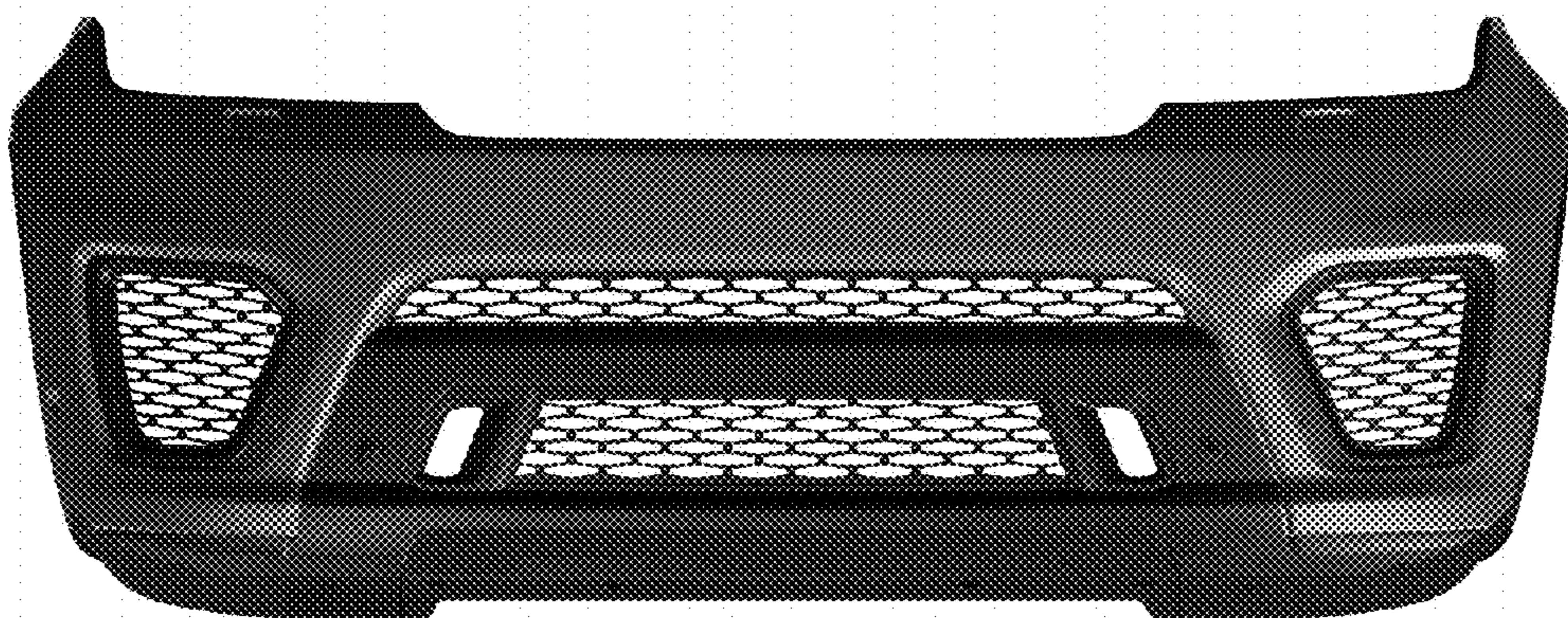


FIG. 4



FIG. 5



FIG. 6

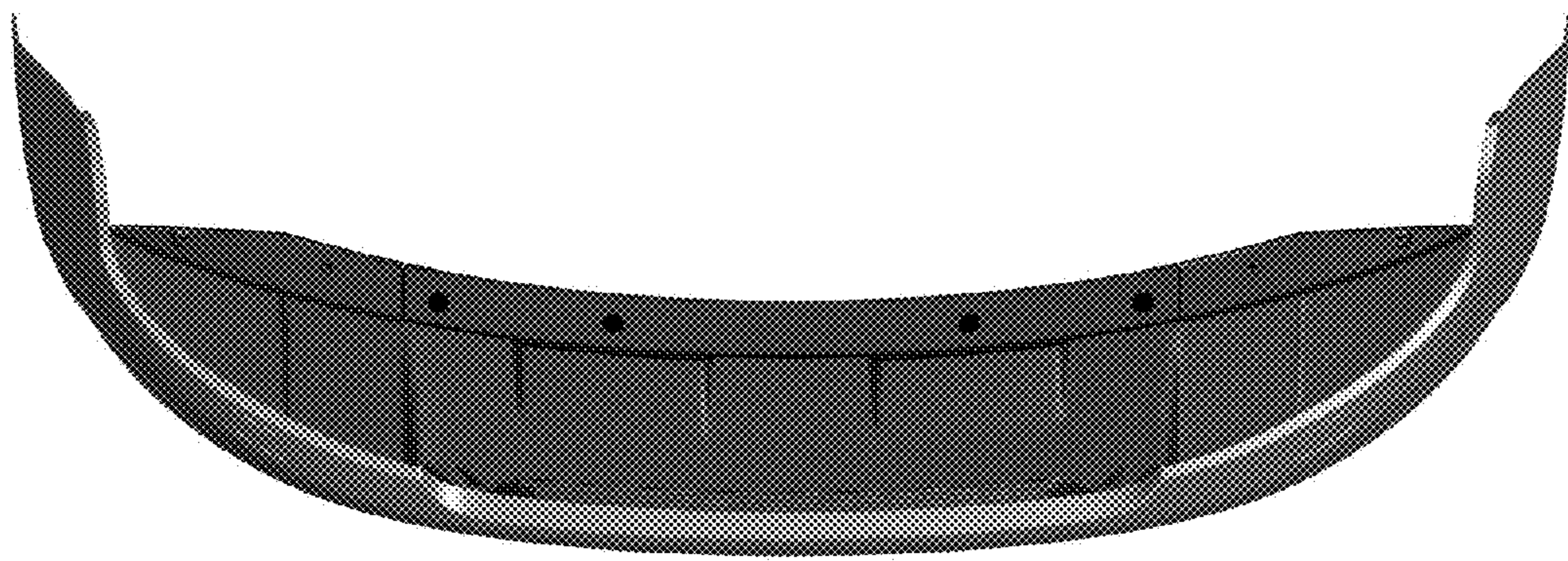


FIG. 7



FIG. 8