



US00D749465S

(12) **United States Design Patent**
Reaux

(10) **Patent No.:** **US D749,465 S**

(45) **Date of Patent:** **** Feb. 16, 2016**

(54) **WHEELCHAIR COVER**

(71) Applicant: **Brian K. Reaux**, Red Oak, TX (US)

(72) Inventor: **Brian K. Reaux**, Red Oak, TX (US)

(73) Assignee: **Brian K. Reaux**, Red Oak, TX (US)

(**) Term: **14 Years**

(21) Appl. No.: **29/474,076**

(22) Filed: **May 21, 2014**

(51) **LOC (10) Cl.** **12-12**

(52) **U.S. Cl.**
USPC **D12/133**

(58) **Field of Classification Search**
USPC D12/131, 133; D6/611
CPC A61G 5/00-5/14
See application file for complete search history.

(56) **References Cited**

U.S. PATENT DOCUMENTS

4,932,077	A *	6/1990	Dobbs	A61G 5/10 2/47
5,121,938	A *	6/1992	Gross	A47C 31/11 280/304.1
D396,984	S *	8/1998	Harvey	D6/611
D430,079	S *	8/2000	Catron-Batts	D12/133
6,315,306	B1	11/2001	Fernie		
6,866,337	B1 *	3/2005	Lash	A47C 31/11 297/188.2
7,581,259	B2 *	9/2009	Thompson	A47G 9/066 2/69.5
D626,462	S *	11/2010	Stopyra	D12/133
8,020,931	B2 *	9/2011	Fraday	A01M 31/02 297/219.1

D671,867	S *	12/2012	Mondotte	D12/133
D685,988	S *	7/2013	Shepherd	D3/216
8,517,462	B2 *	8/2013	Birch	A01M 31/02 297/129
D716,192	S *	10/2014	Mondotte	D12/133
9,004,592	B2 *	4/2015	Boston	A61G 5/02 297/225
2012/0292879	A1	11/2012	Ferniany		
2013/0140780	A1	6/2013	Paul		
2013/0140782	A1	6/2013	Paul		
2013/0140788	A1	6/2013	Paul		

* cited by examiner

Primary Examiner — Susan Bennett Hattan

Assistant Examiner — Charles Hanson

(57) **CLAIM**

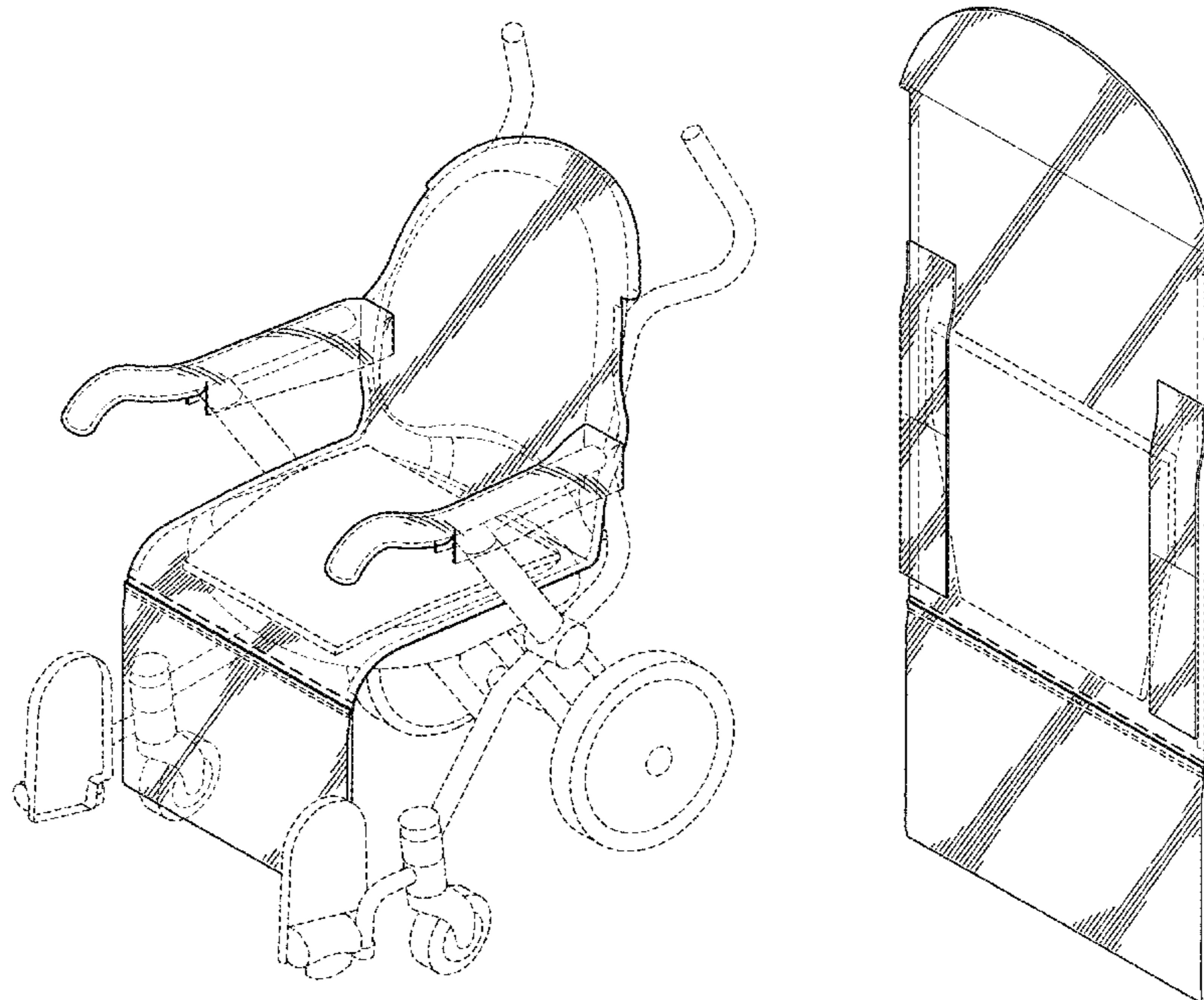
The ornamental design for a wheelchair cover, as shown and described.

DESCRIPTION

FIG. 1 is a perspective view of a wheelchair cover, showing my new design in use;
FIG. 2 is a perspective view thereof; without being placed on transport wheel chair.
FIG. 3 is a front view thereof;
FIG. 4 is a back view thereof;
FIG. 5 is a left side view thereof;
FIG. 6 is a right side view thereof;
FIG. 7 is a bottom view thereof; and,
FIG. 8 is a top view thereof.

The broken line showing of a wheelchair in FIG. 1 and on the article itself in all figures is included for the purpose of illustrating environment and forms no part of the claimed design.

1 Claim, 6 Drawing Sheets



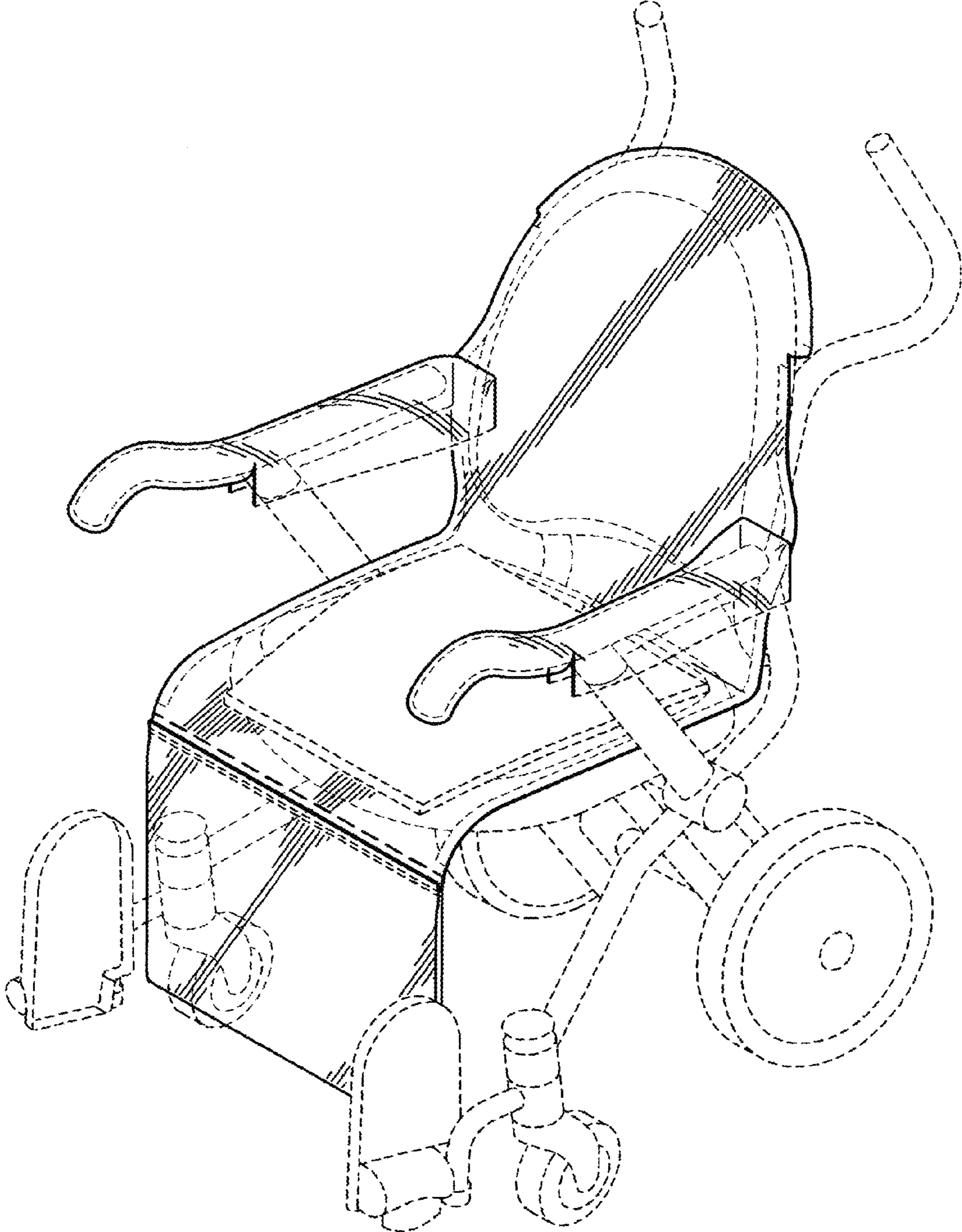


FIG. 1

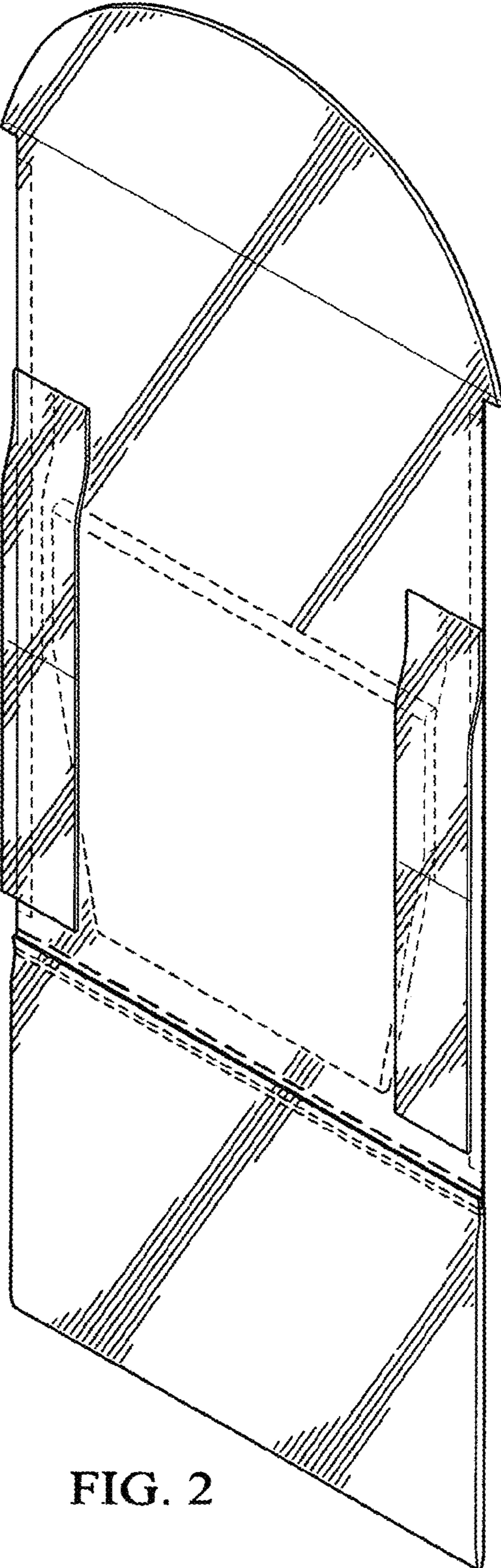


FIG. 2

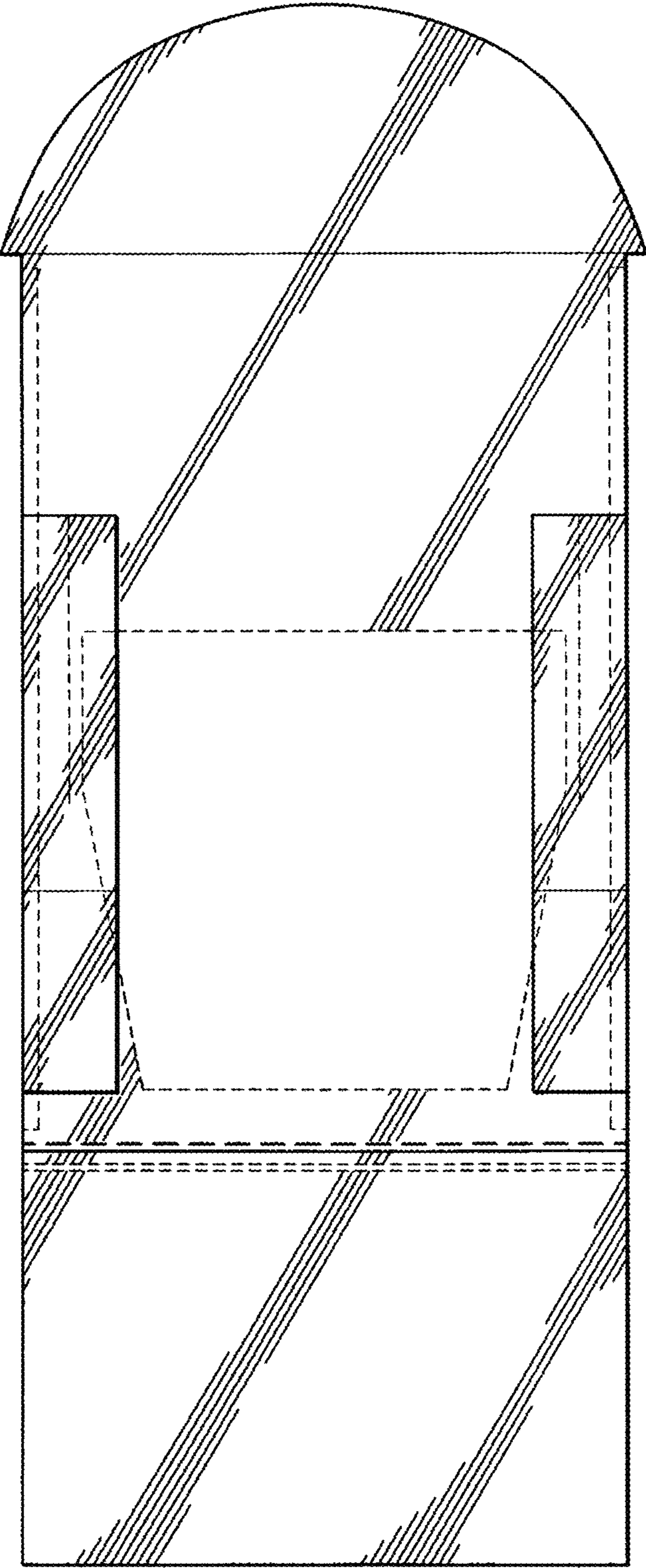


FIG. 3

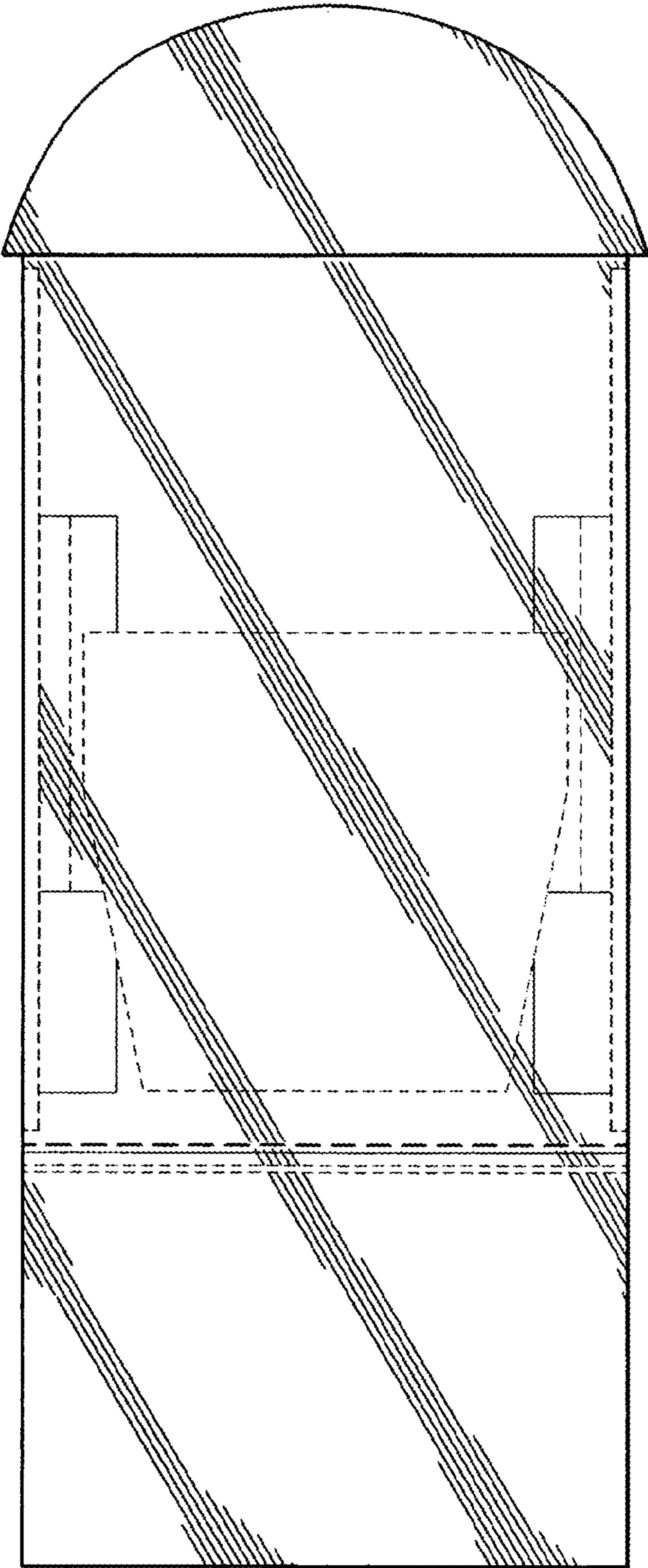


FIG. 4



FIG. 5



FIG. 6

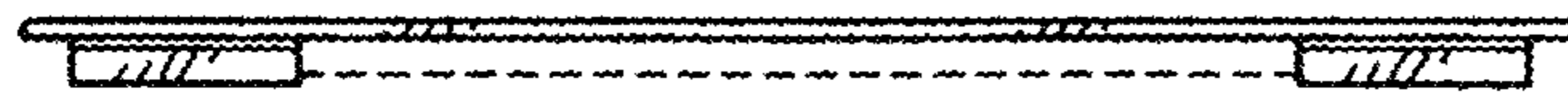


FIG. 7

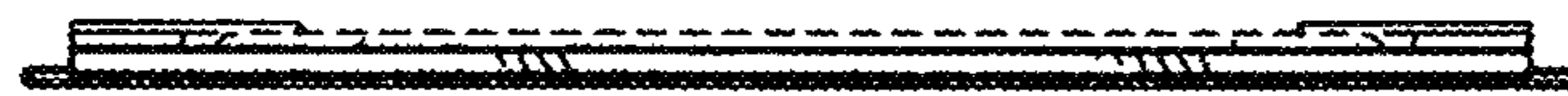


FIG. 8