



US00D749464S

(12) **United States Design Patent**
Giolito

(10) **Patent No.:** **US D749,464 S**

(45) **Date of Patent:** **** Feb. 16, 2016**

(54) **CAR, TOY REPLICA AND/OR OTHER REPLICAS**

(71) Applicant: **Fiat Group Automobiles S.p.A.**, Turin (IT)

(72) Inventor: **Roberto Giolito**, Turin (IT)

(73) Assignee: **Fiat Group Automobiles S.p.A.**, Turin (IT)

(**) Term: **14 Years**

(21) Appl. No.: **29/495,633**

(22) Filed: **Jul. 2, 2014**

(30) **Foreign Application Priority Data**

Jan. 3, 2014 (EM) 002380089

Jan. 3, 2014 (EM) 002380097

(51) **LOC (10) Cl.** **12-08**

(52) **U.S. Cl.**
USPC **D12/91**

(58) **Field of Classification Search**
USPC D12/86, 90-92; D21/421, 433, 434;
296/181.1, 181.5
CPC B62D 35/00; B62D 25/00; B62D 25/06;
B62D 33/00

See application file for complete search history.

(56) **References Cited**

U.S. PATENT DOCUMENTS

D623,988 S *	9/2010	Liu et al.	D12/91
D647,820 S *	11/2011	Jang	D12/91
D671,034 S *	11/2012	Bischoff et al.	D12/91
D671,035 S *	11/2012	Bischoff et al.	D12/91
D680,028 S *	4/2013	Ramaciotti	D12/91
D697,452 S *	1/2014	Ramaciotti	D12/91
D700,104 S *	2/2014	Malachowski	D12/90
D710,254 S *	8/2014	Ramaciotti	D12/91
D731,360 S *	6/2015	Burki et al.	D12/91
D731,361 S *	6/2015	Burki et al.	D12/91

* cited by examiner

Primary Examiner — Melody N Brown

(74) *Attorney, Agent, or Firm* — Cowan, Liebowitz & Latman, P.C.

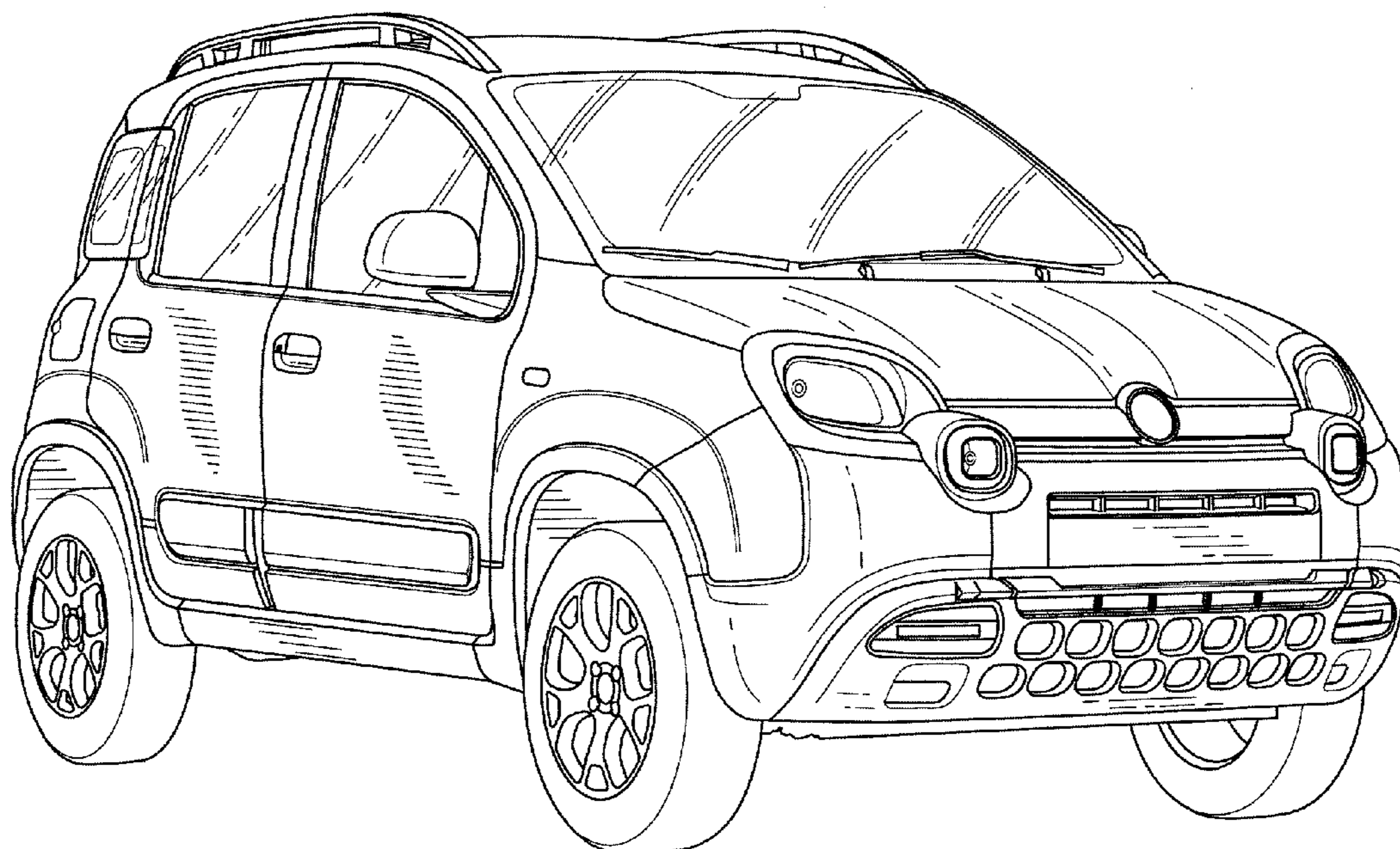
(57) **CLAIM**

The ornamental design for a car, toy replica and/or other replicas, as shown and described.

DESCRIPTION

FIG. 1 is a front view of a car, toy replica and/or other replicas showing my new design;
FIG. 2 is a rear view thereof;
FIG. 3 is a right side view thereof;
FIG. 4 is a left side view thereof;
FIG. 5 is a top view thereof;
FIG. 6 is a bottom view thereof; and,
FIG. 7 is a perspective view thereof.

1 Claim, 7 Drawing Sheets



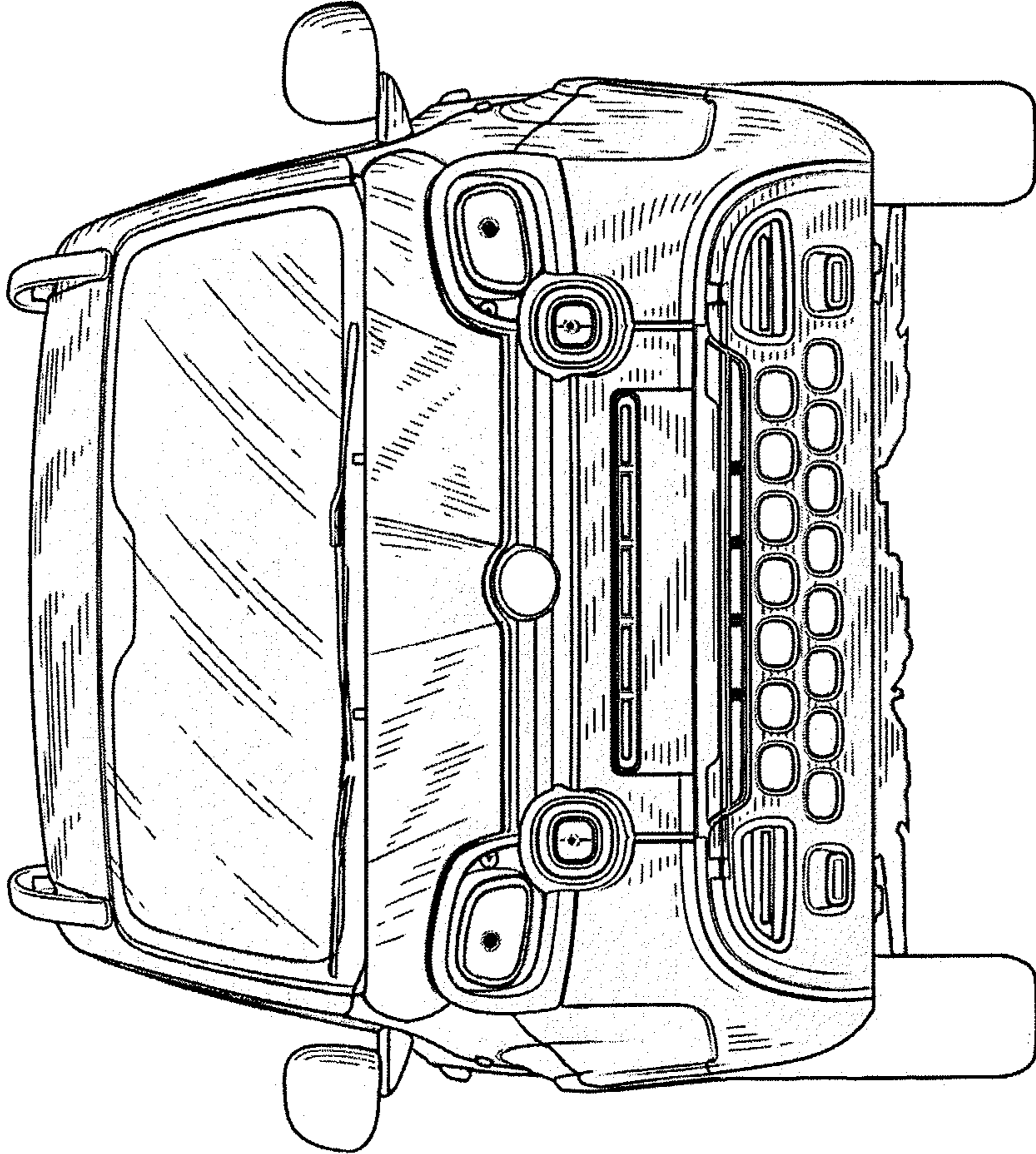


FIG. 1

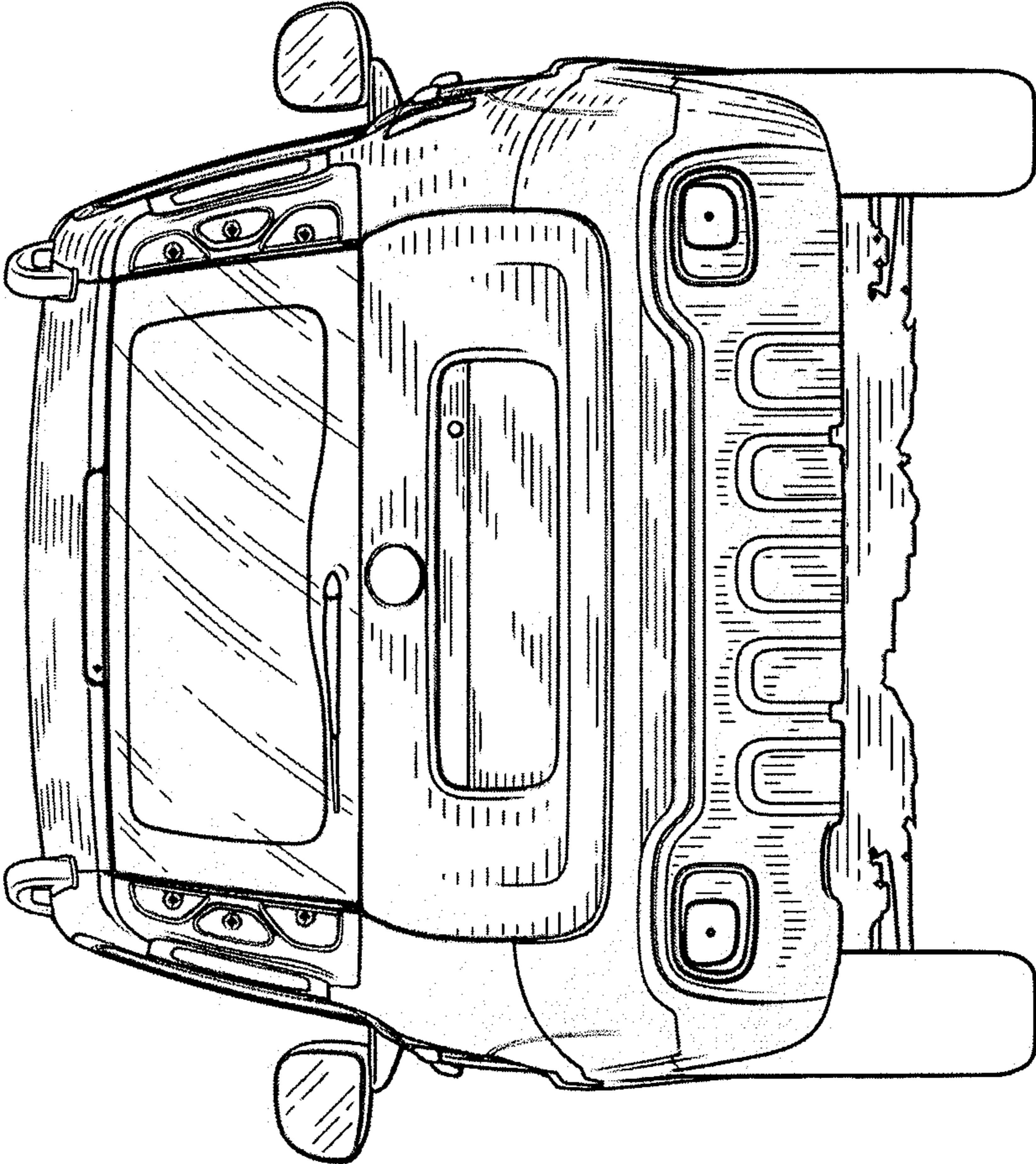


FIG. 2

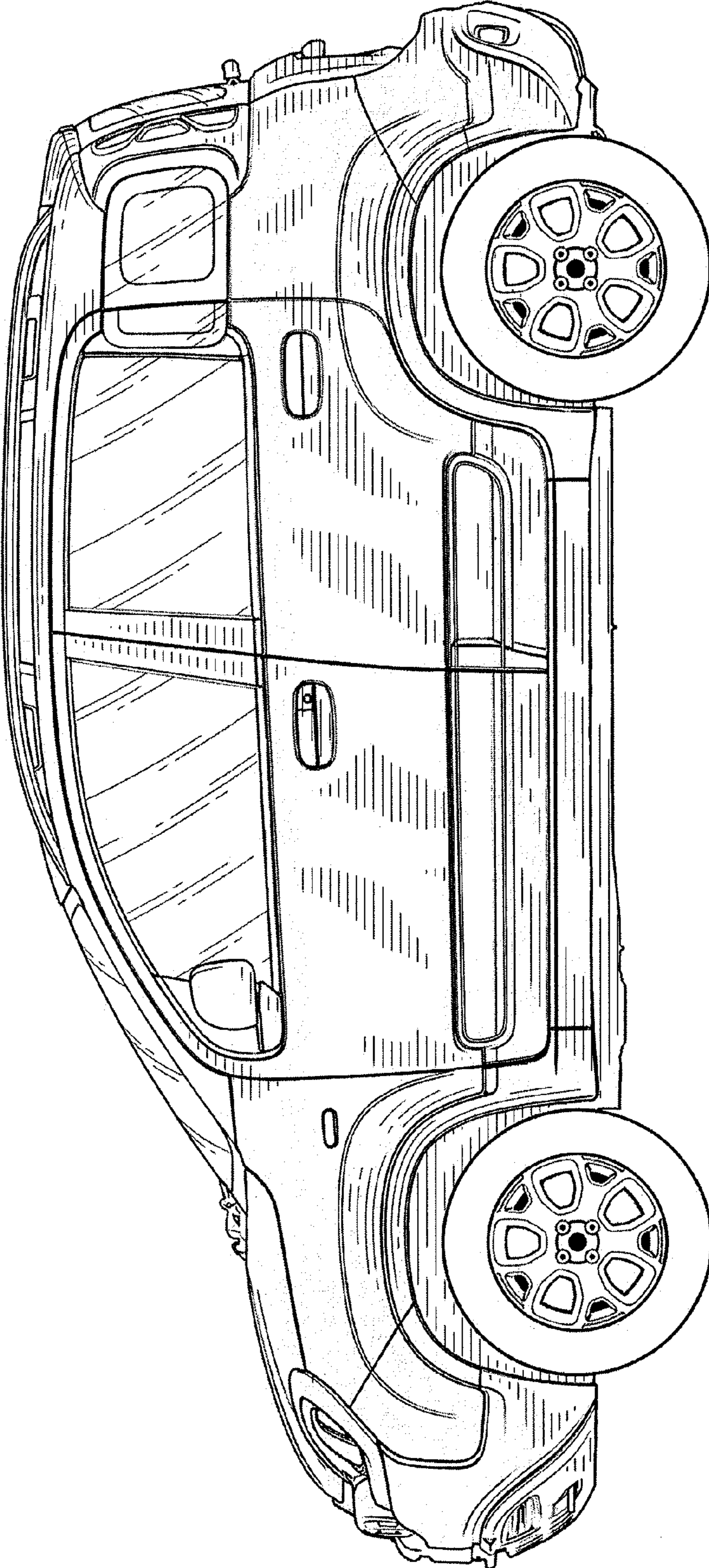


FIG. 3

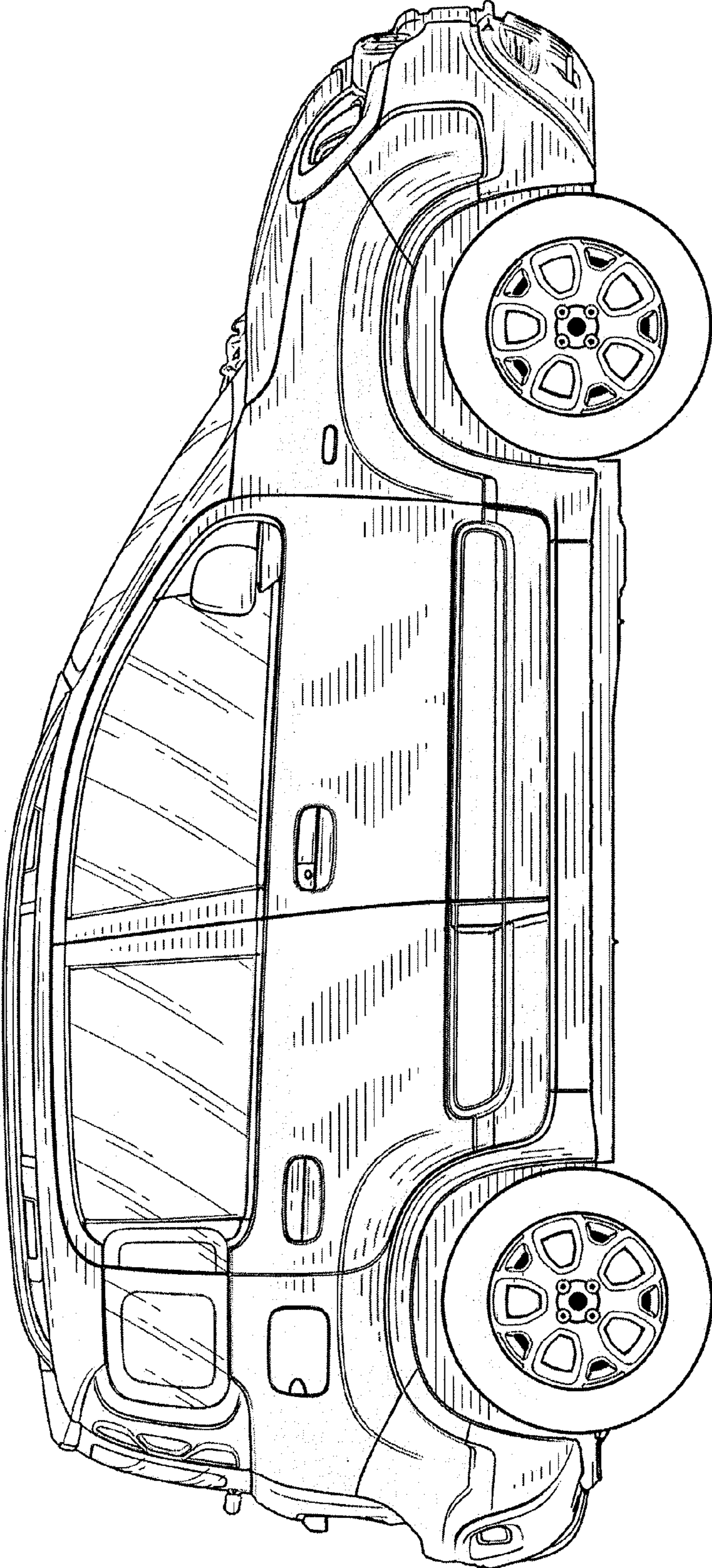


FIG. 4

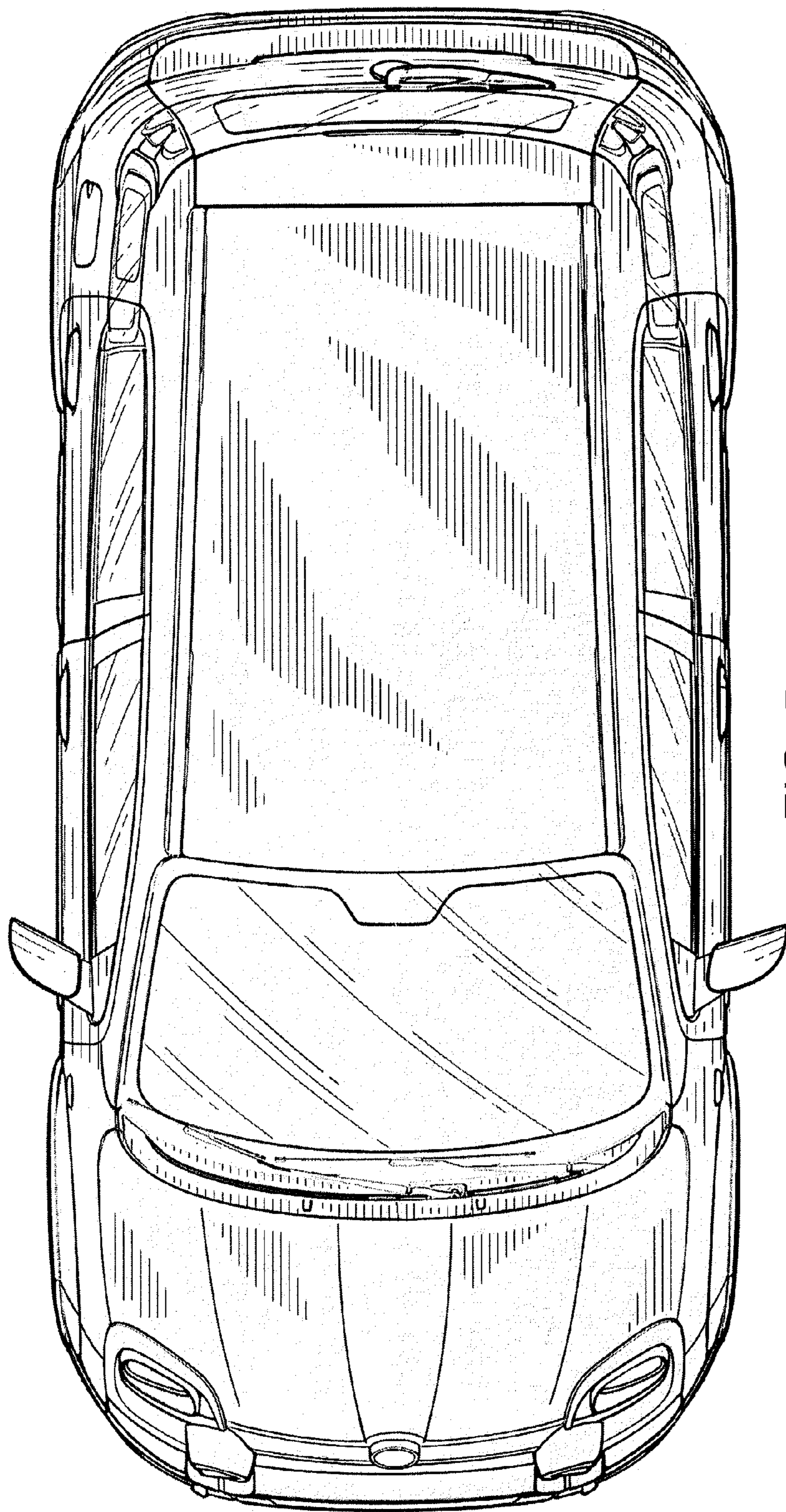


FIG. 5

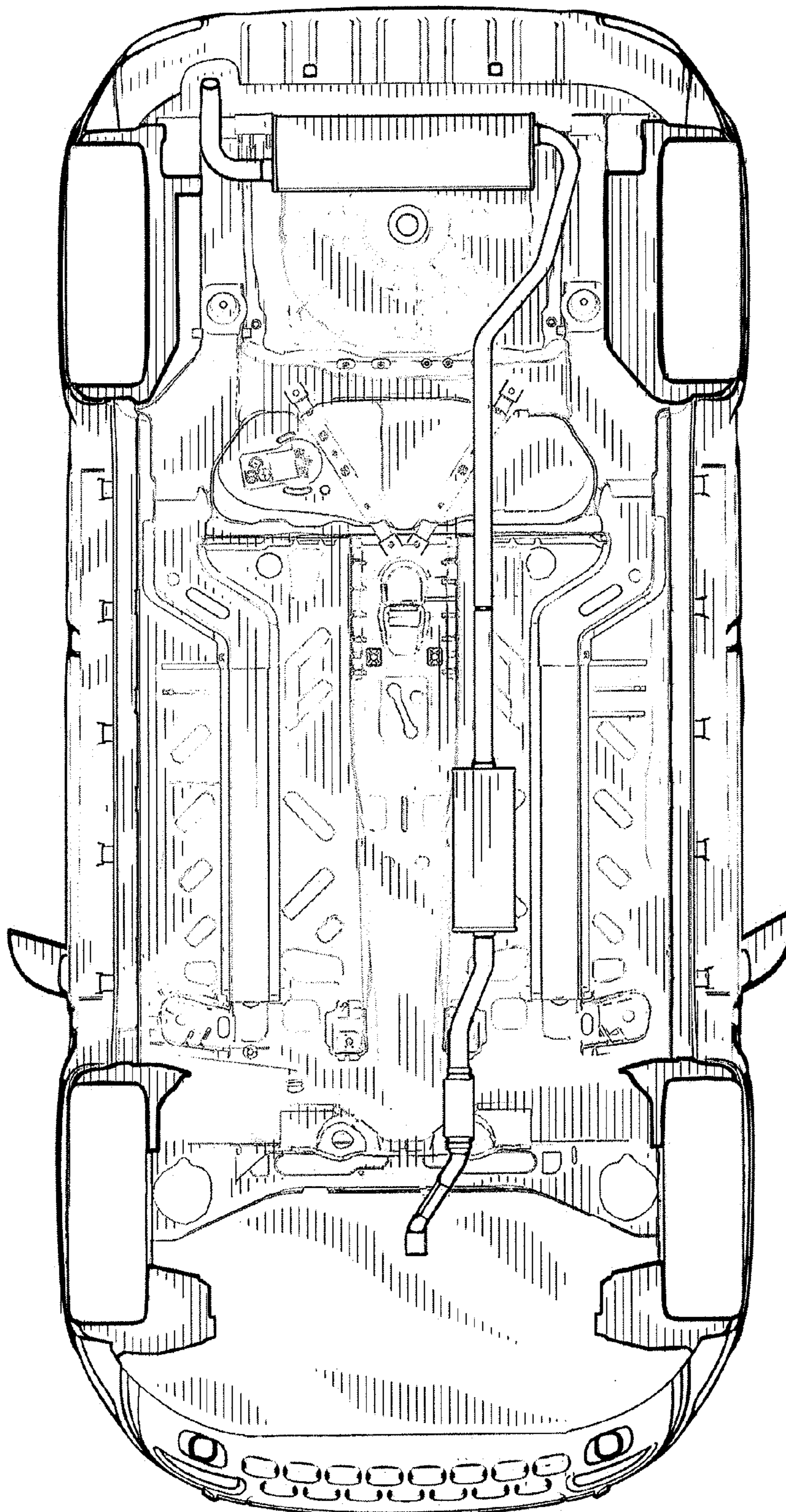


FIG. 6

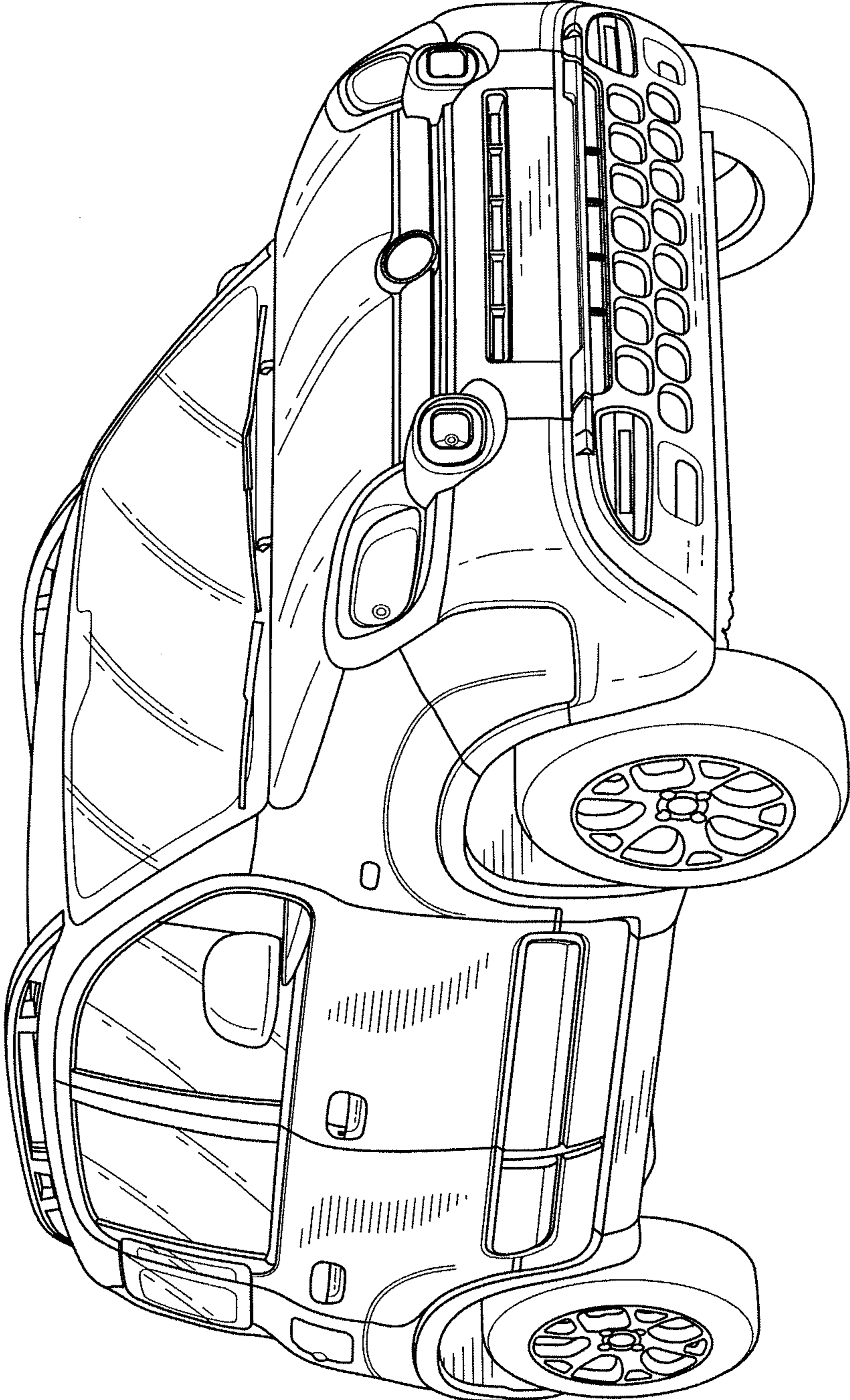


FIG. 7