



US00D749462S

(12) **United States Design Patent**
Paik et al.

(10) **Patent No.:** **US D749,462 S**

(45) **Date of Patent:** **** Feb. 16, 2016**

(54) **MALE MEMBER OF NEMO BUCKLE**

(71) Applicant: **WOJIN PLASTIC CO., LTD.**,
Gyeonggi-do (KR)

(72) Inventors: **Jisook Paik**, Seoul (KR); **Nan Hee Paik**,
Seoul (KR); **Ji Hye Paik**, Seoul (KR); **Ji
Won Son**, Seoul (KR)

(73) Assignee: **Woojin Plastic Co., Ltd.**, Gyeonggi-Do
(KR)

(**) Term: **14 Years**

(21) Appl. No.: **29/522,475**

(22) Filed: **Mar. 31, 2015**

(30) **Foreign Application Priority Data**

Jan. 27, 2015 (KR) 30-2015-0004171

(51) **LOC (10) Cl.** **02-07**

(52) **U.S. Cl.**
USPC **D11/216**

(58) **Field of Classification Search**
USPC D11/1-2, 200-201, 206-210, 214-218;
24/163 R, 169-171, 173, 177-179, 191,
24/194-195, 197, 200, 614-616, 625, 198,
24/578.11, 578.1, 163 K, 114
CPC A44B 11/26; A44B 11/25; A44B 11/06
See application file for complete search history.

(56) **References Cited**

U.S. PATENT DOCUMENTS

D364,125 S *	11/1995	Anscher	D11/216
D405,724 S *	2/1999	Anscher	D11/216
D502,671 S *	3/2005	Yoshiguchi	D11/216
D536,279 S *	2/2007	Grimm	D11/216
D671,444 S *	11/2012	Paik	D11/216

* cited by examiner

Primary Examiner — Ralf Seifert

(74) *Attorney, Agent, or Firm* — Jordan and Hamburg LLP

(57) **CLAIM**

We claim, the ornamental design for a male member of nemo buckle, as shown and described.

DESCRIPTION

FIG. 1 is a perspective view of a male member of nemo buckle, showing my new design;
FIG. 2 is a front elevational view thereof;
FIG. 3 is a rear elevational view thereof;
FIG. 4 is a left side elevational view thereof;
FIG. 5 is a right side elevational view thereof;
FIG. 6 is a top plan view thereof;
FIG. 7 is a bottom plan view thereof;
FIG. 8 is a cross-sectional view taken along the lines VIII-VIII of FIG. 2; and,
FIG. 9 is a perspective view thereof engaged with a female member of nemo buckle.
The broken lines showing a female member in FIG. 9 are included for the purpose of illustrating the invention in use, and form no part of the claimed invention.

1 Claim, 3 Drawing Sheets

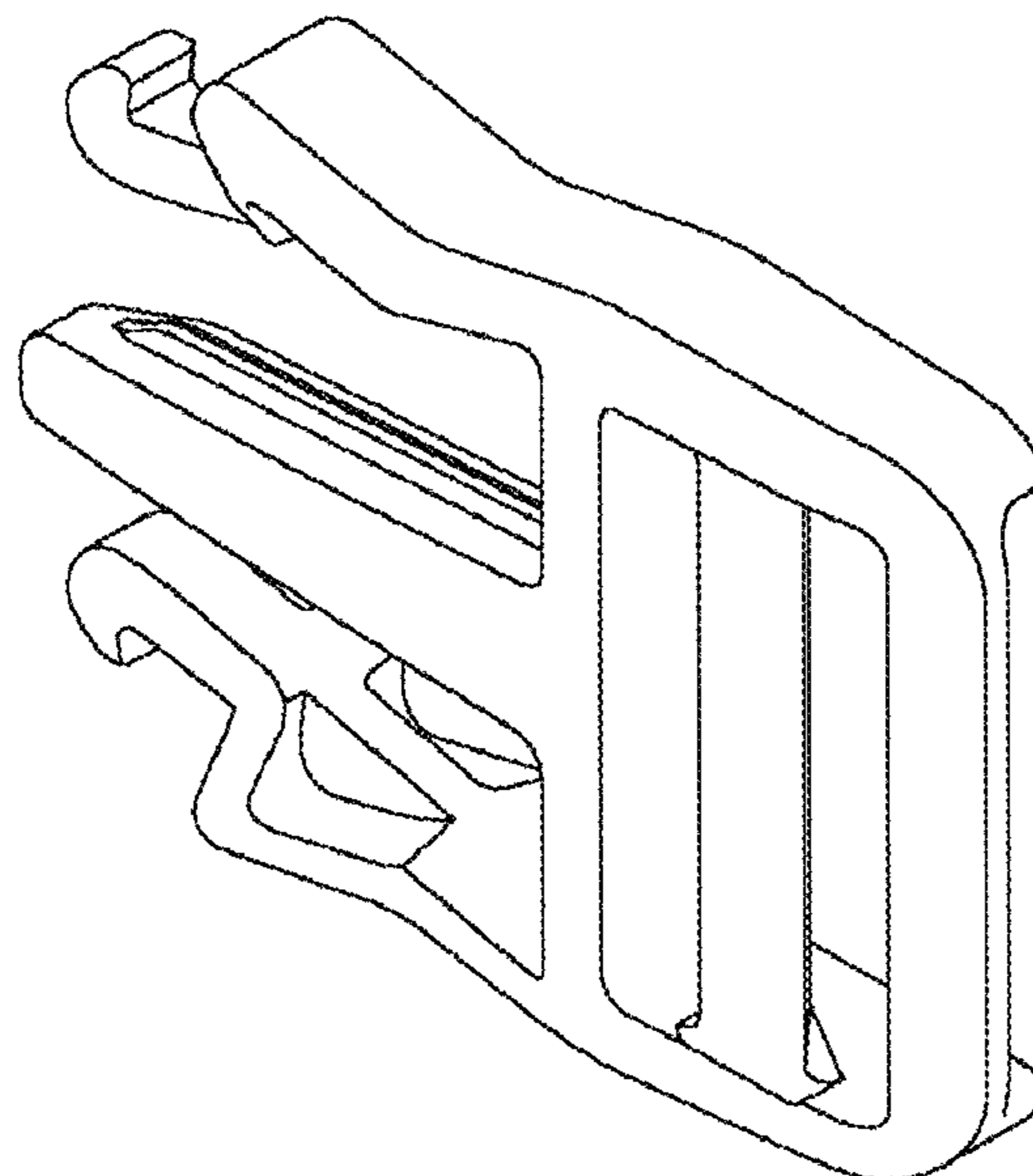


FIG. 1

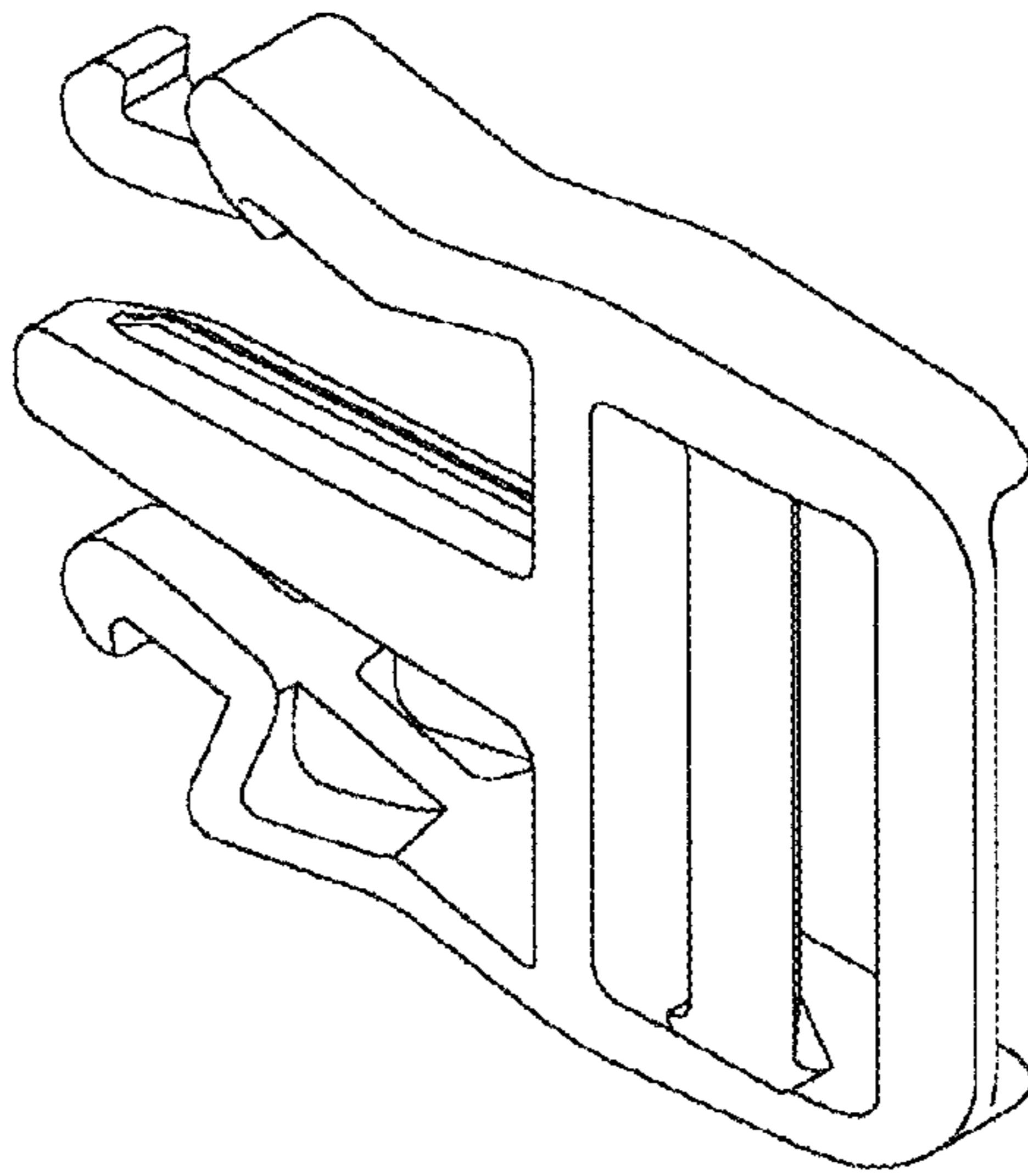


FIG. 2

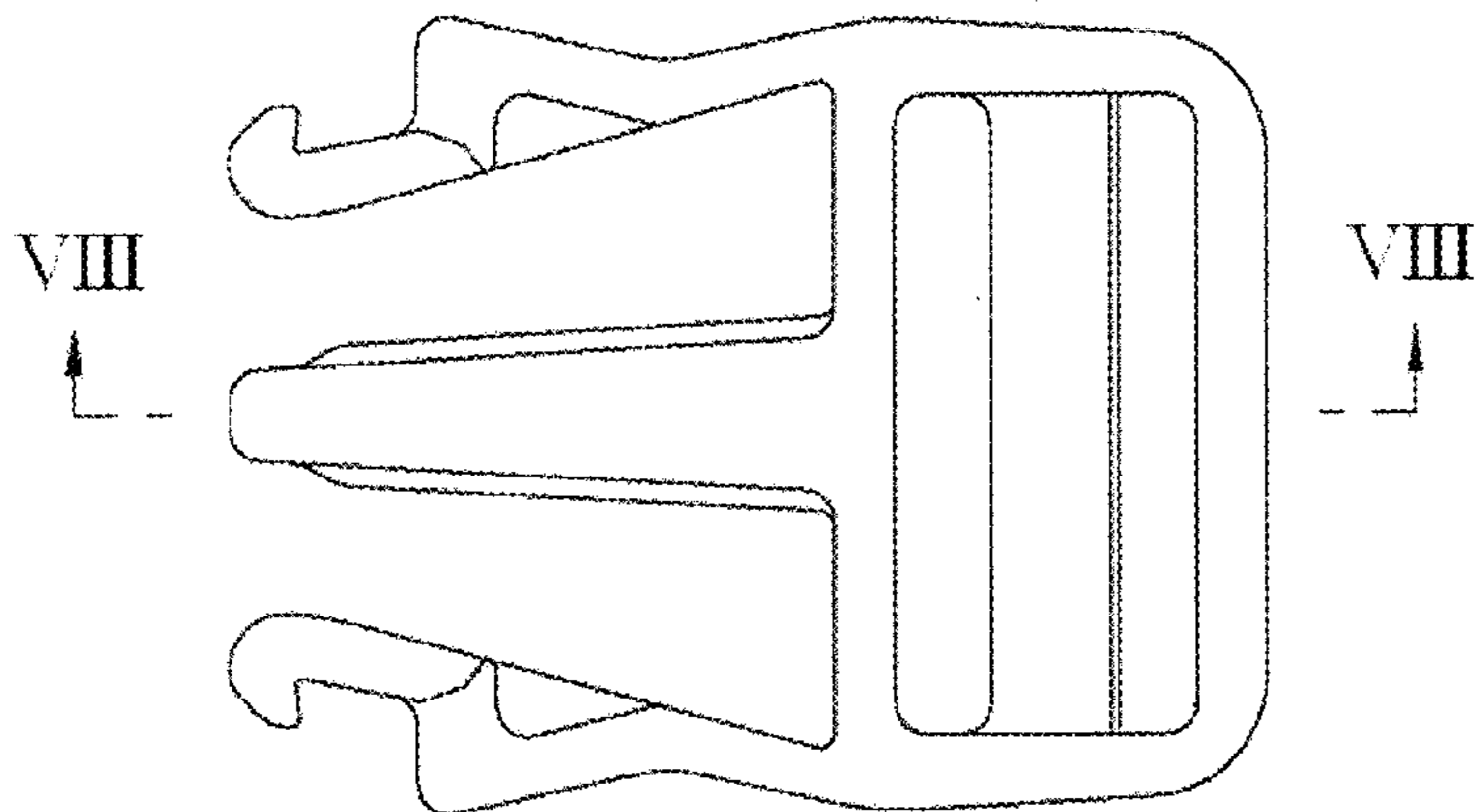


FIG. 3

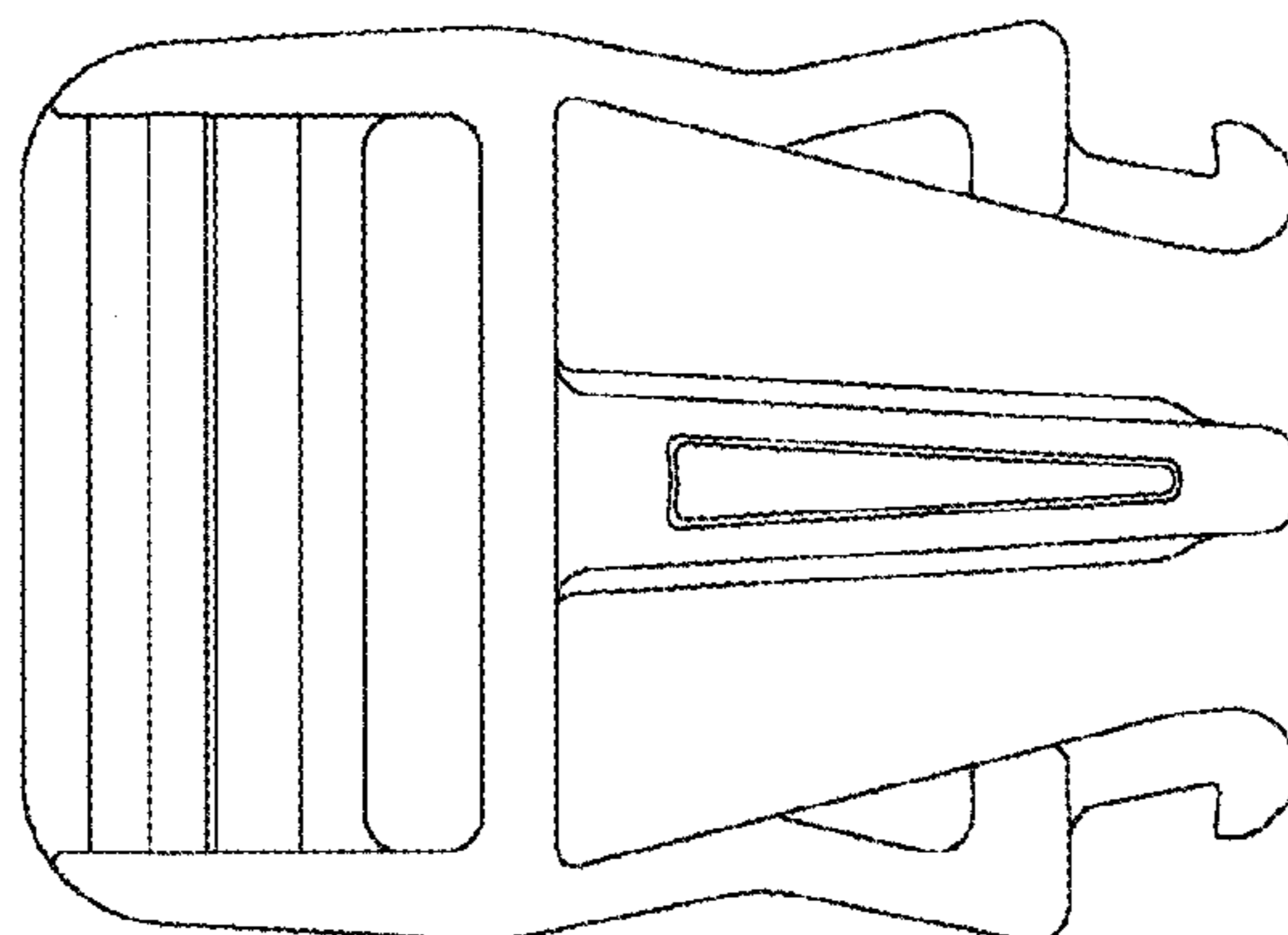


FIG. 4

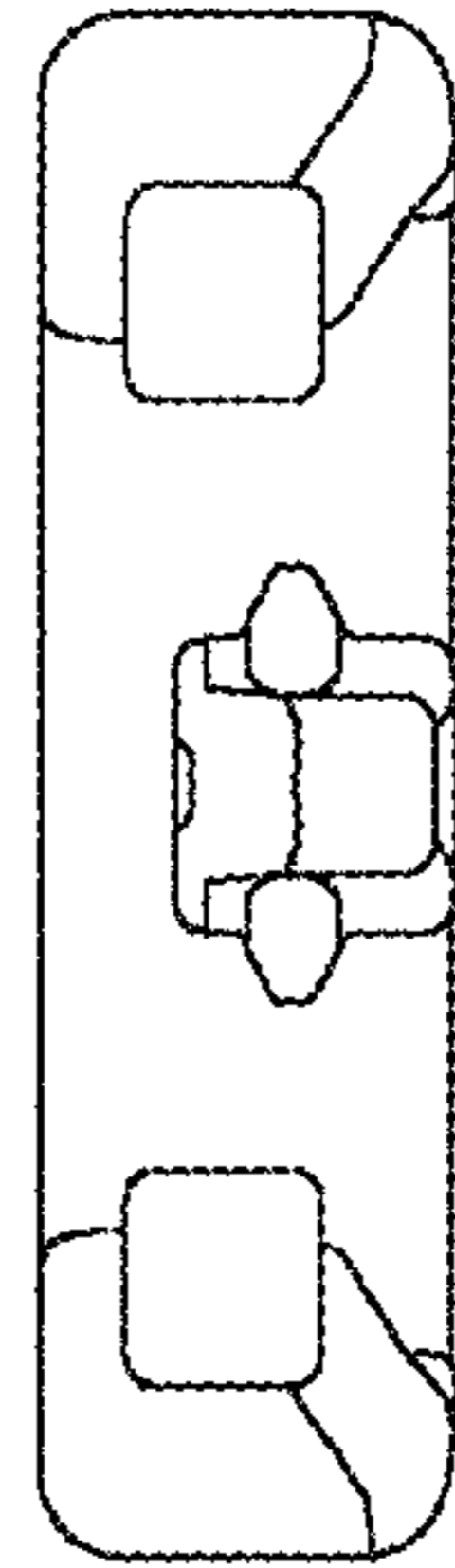


FIG. 5

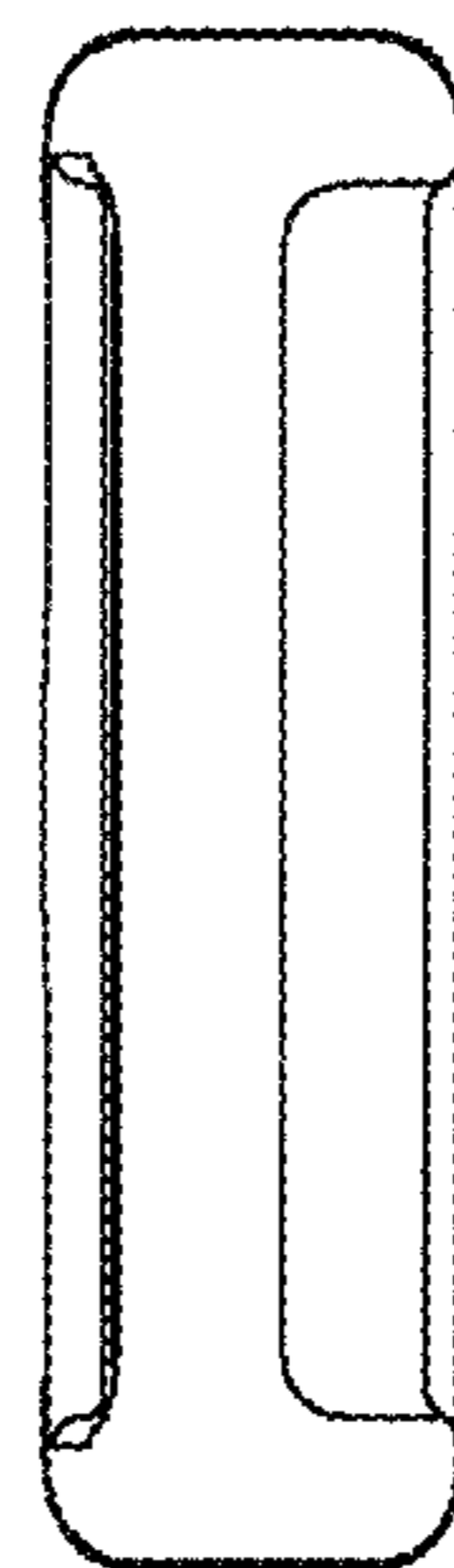


FIG. 6

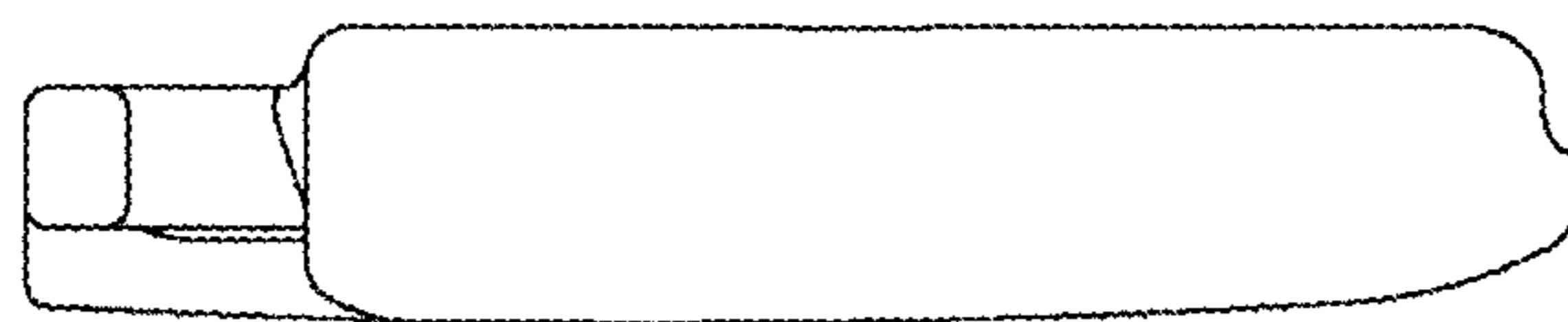


FIG. 7

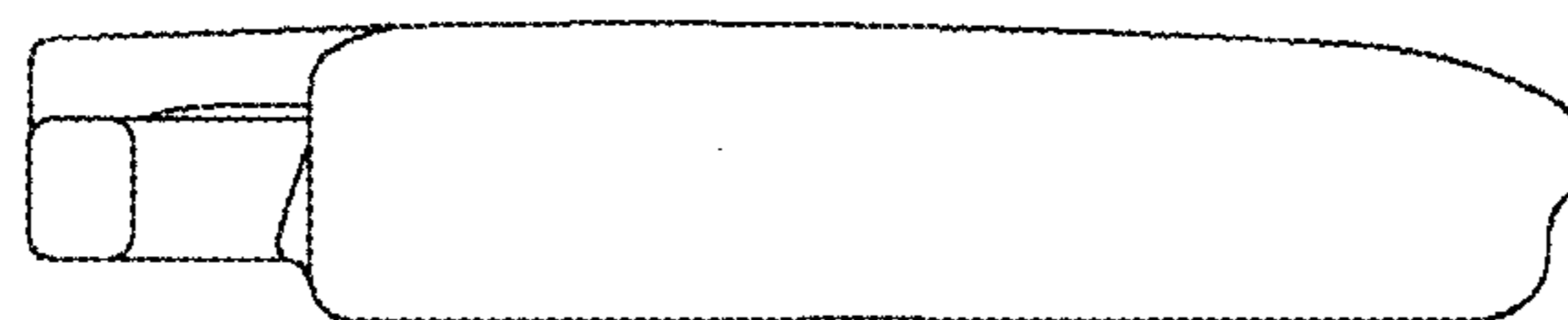


FIG. 8

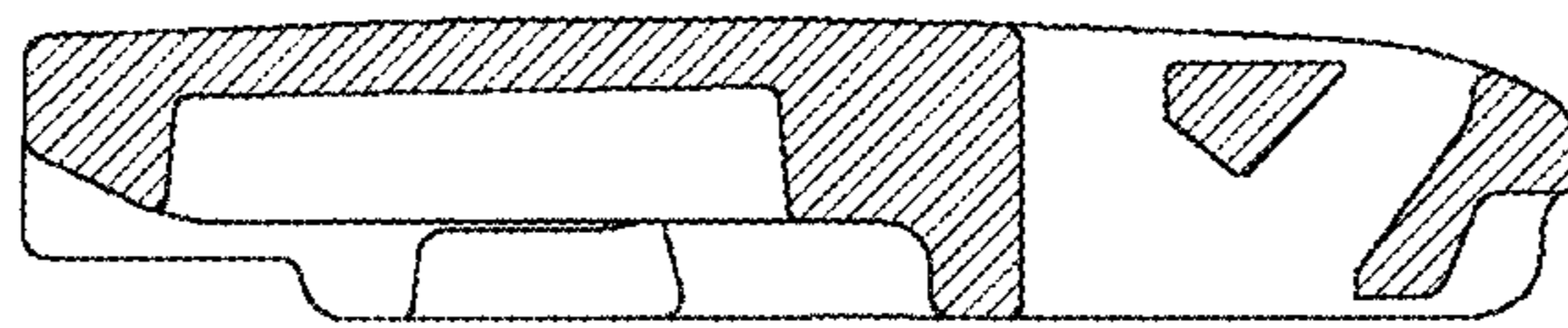


FIG. 9

