



US00D749460S

(12) **United States Design Patent**  
**Akana et al.**

(10) **Patent No.:** **US D749,460 S**

(45) **Date of Patent:** **\*\* Feb. 16, 2016**

(54) **BAND ATTACHMENT**

CPC ..... A44C 5/02-5/246  
See application file for complete search history.

(71) Applicant: **Apple Inc.**, Cupertino, CA (US)

(56) **References Cited**

(72) Inventors: **Jody Akana**, San Francisco, CA (US);  
**Bartley K. Andre**, Palo Alto, CA (US);  
**Shota Aoyagi**, San Francisco, CA (US);  
**Anthony Michael Ashcroft**, San Francisco, CA (US); **Jeremy Bataillou**, San Francisco, CA (US); **Daniel J. Coster**, San Francisco, CA (US); **Daniele De Iuliis**, San Francisco, CA (US); **M. Evans Hankey**, San Francisco, CA (US); **Julian Hoenig**, San Francisco, CA (US); **Richard P. Howarth**, San Francisco, CA (US); **Jonathan P. Ive**, San Francisco, CA (US); **Duncan Robert Kerr**, San Francisco, CA (US); **Marc A. Newson**, London (GB); **Matthew Dean Rohrbach**, San Francisco, CA (US); **Peter Russell-Clarke**, San Francisco, CA (US); **Benjamin Andrew Shaffer**, San Jose, CA (US); **Mikael Silvanto**, San Francisco, CA (US); **Christopher J. Stringer**, Woodside, CA (US); **Eugene Antony Whang**, San Francisco, CA (US); **Rico Zörkendörfer**, San Francisco, CA (US)

U.S. PATENT DOCUMENTS

3,030,686 A 4/1962 Burkhardt  
3,665,565 A 5/1972 Kruger

(Continued)

FOREIGN PATENT DOCUMENTS

EP 2636328 A1 9/2013  
GB 618917 A 3/1949

(Continued)

OTHER PUBLICATIONS

etsy.com, "1 Set Silver End Cap Clasp—Findings Large Toggle Clasp End Caps Buckle Connector with Five Inside Loops for Jewelry Making 26mm," <<http://www.etsy.com/listing/101269004/1-set-silver-end-cap-clasp-findings?ref=market>>, Listed on Aug. 29, 2014, accessed Oct. 9, 2014.

(Continued)

*Primary Examiner* — Zenia Bennett

(74) *Attorney, Agent, or Firm* — Sterne, Kessler, Goldstein & Fox P.L.L.C.

(57) **CLAIM**

The ornamental design for a band attachment, as shown and described.

**DESCRIPTION**

FIG. 1 is a bottom front perspective view of a band attachment showing our new design;  
FIG. 2 is a bottom rear perspective view thereof;  
FIG. 3 is a front view thereof;  
FIG. 4 is a rear view thereof;  
FIG. 5 is a left side view thereof;  
FIG. 6 is a right side view thereof;  
FIG. 7 is a bottom view thereof; and,  
FIG. 8 is a top view thereof.

**1 Claim, 4 Drawing Sheets**

(73) Assignee: **Apple Inc.**, Cupertino, CA (US)

(\*\*) Term: **14 Years**

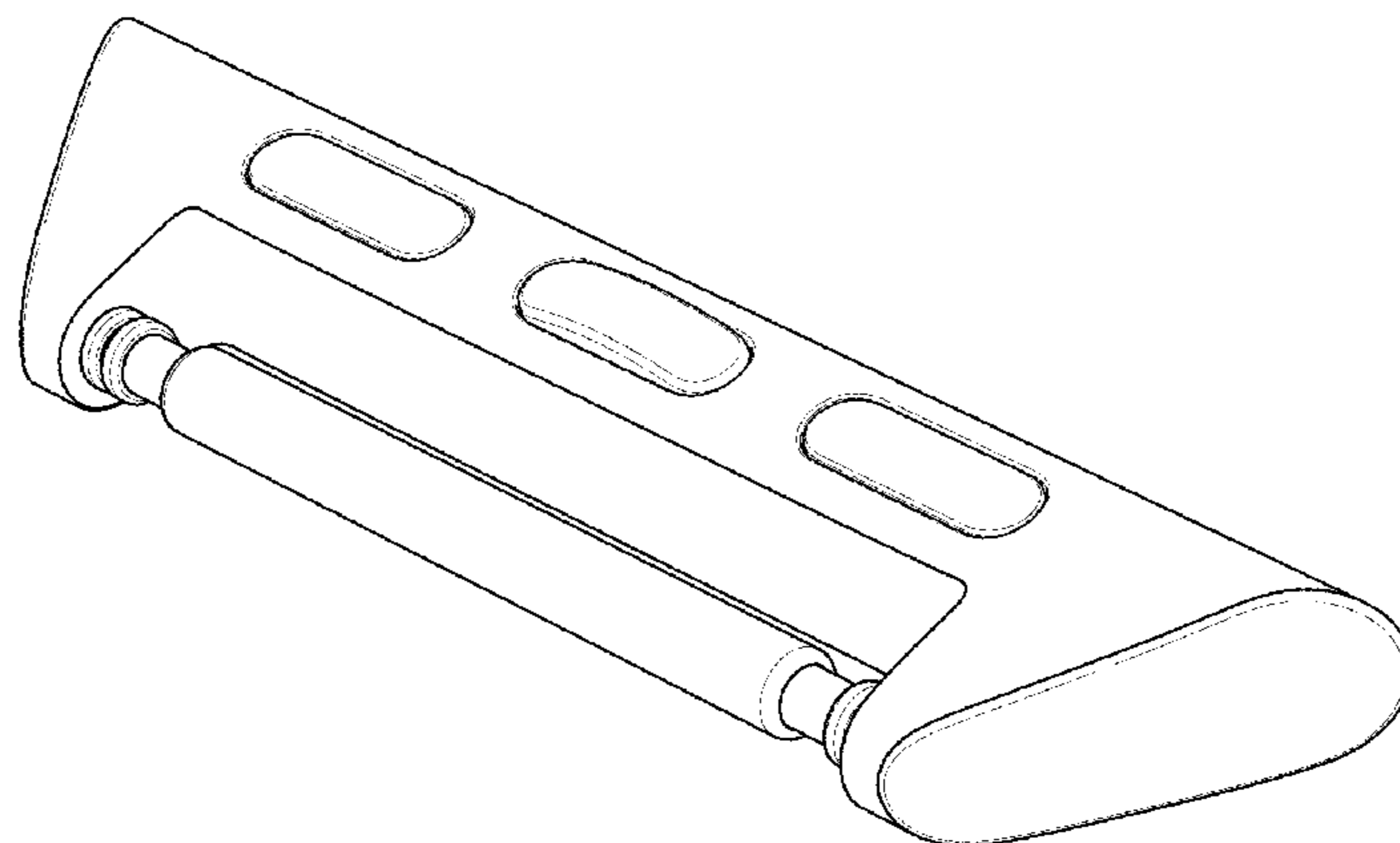
(21) Appl. No.: **29/498,987**

(22) Filed: **Aug. 11, 2014**

(51) **LOC (10) Cl.** ..... **11-01**

(52) **U.S. Cl.**  
USPC ..... **D11/94**

(58) **Field of Classification Search**  
USPC ..... D11/1-25, 32, 93, 94; 59/78, 79.2;  
63/1.11, 3, 3.1, 3.2, 5.1, 5.2, 7-11;  
224/175; D10/30-32



(56)

References Cited

U.S. PATENT DOCUMENTS

3,675,284 A 7/1972 Rieth  
3,965,670 A \* 6/1976 Ihringer ..... A44C 5/14  
224/175  
5,363,351 A 11/1994 Carney  
6,101,842 A \* 8/2000 Delacretaz ..... A44C 5/107  
24/265 B  
D473,818 S 4/2003 Salvisberg  
D494,098 S 8/2004 Cohen  
8,601,784 B2 \* 12/2013 Kaltenrieder ..... A44C 5/185  
24/265 B  
D724,469 S \* 3/2015 Akana ..... D11/3  
2007/0125123 A1 \* 6/2007 Sierro ..... A44C 5/185  
63/3.2  
2012/0312052 A1 \* 12/2012 Yliluoma ..... A44C 5/246  
63/10  
2014/0096345 A1 4/2014 Tschumi  
2014/0098649 A1 4/2014 Tschumi

FOREIGN PATENT DOCUMENTS

GB 2082277 5/1984  
WO 2013182397 A1 12/2013

OTHER PUBLICATIONS

Design U.S. Appl. No. 29/498,990, filed Aug. 11, 2014.

Design U.S. Appl. No. 29/499,052, filed Aug. 11, 2014.  
Design U.S. Appl. No. 29/498,997, filed Aug. 11, 2014.  
Design U.S. Appl. No. 29/498,996, filed Aug. 11, 2014.  
Design U.S. Appl. No. 29/498,995, filed Aug. 11, 2014.  
Design U.S. Appl. No. 29/498,994, filed Aug. 11, 2014.  
Design U.S. Appl. No. 29/501,763, filed Sep. 8, 2014.  
Design U.S. Appl. No. 29/499,067, filed Aug. 11, 2014.  
Design U.S. Appl. No. 29/499,069, filed Aug. 11, 2014.  
Design U.S. Appl. No. 29/499,068, filed Aug. 11, 2014.  
Design U.S. Appl. No. 29/499,061, filed Aug. 11, 2014.  
Design U.S. Appl. No. 29/501,760, filed Sep. 8, 2014.  
Design U.S. Appl. No. 29/501,772, filed Sep. 8, 2014.  
Design U.S. Appl. No. 29/501,152, filed Sep. 2, 2014.  
Design U.S. Appl. No. 29/499,088, filed Aug. 11, 2014.  
Design U.S. Appl. No. 29/499,091, filed Aug. 11, 2014.  
Design U.S. Appl. No. 29/499,090, filed Aug. 11, 2014.  
Design U.S. Appl. No. 29/499,080, filed Aug. 11, 2014.  
Design U.S. Appl. No. 29/499,081, filed Aug. 11, 2014.  
Design U.S. Appl. No. 29/499,082, filed Aug. 11, 2014.  
Design U.S. Appl. No. 29/501,624, filed Sep. 5, 2014.  
Design U.S. Appl. No. 29/501,733, filed Sep. 8, 2014.  
Design U.S. Appl. No. 29/501,720, filed Sep. 8, 2014.  
Design U.S. Appl. No. 29/501,722, filed Sep. 8, 2014.  
Design U.S. Appl. No. 29/501,746, filed Sep. 8, 2014.  
Design U.S. Appl. No. 29/501,759, filed Sep. 8, 2014.  
Design U.S. Appl. No. 29/501,723, filed Sep. 8, 2014.  
Design U.S. Appl. No. 29/501,737, filed Sep. 8, 2014.

\* cited by examiner

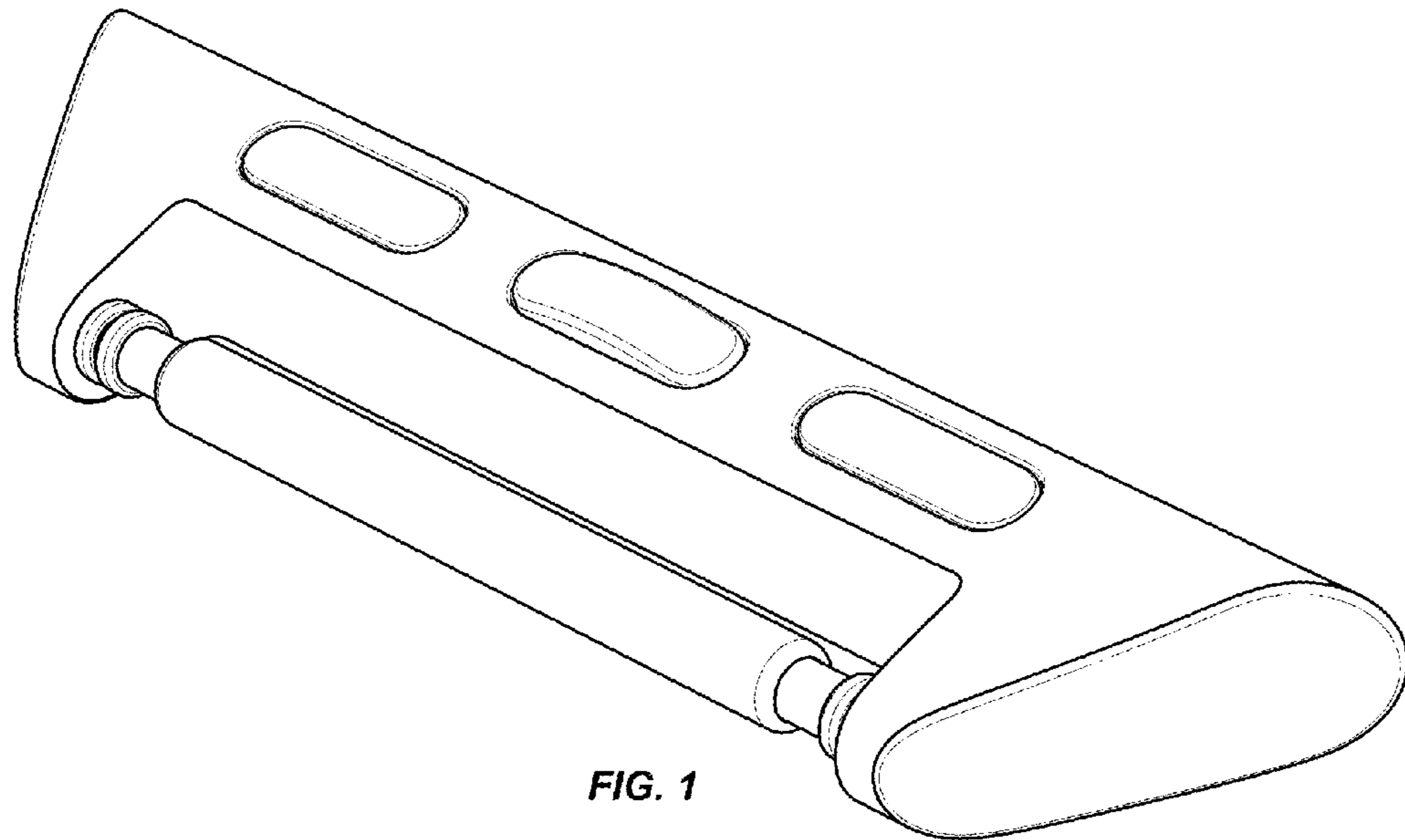


FIG. 1

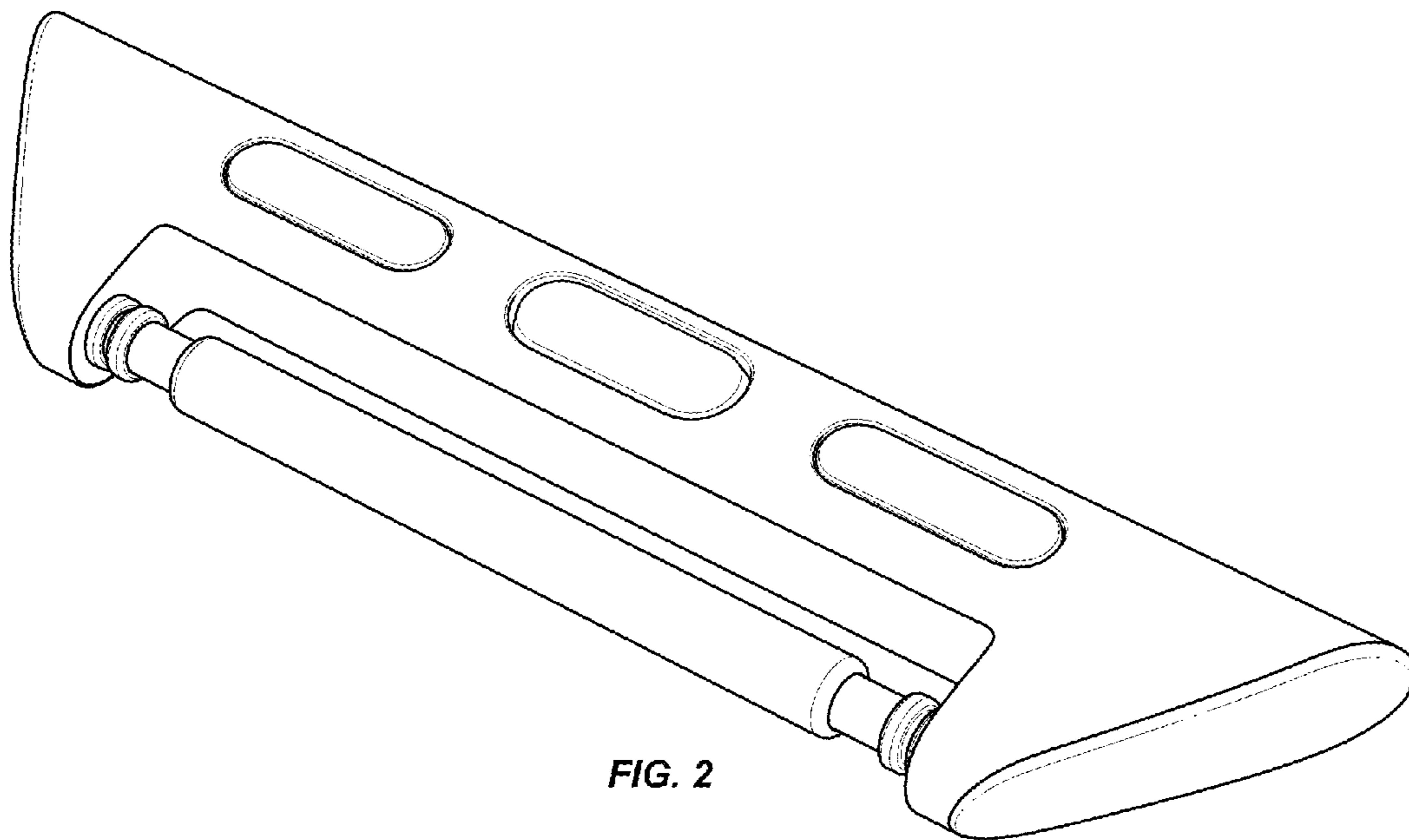


FIG. 2

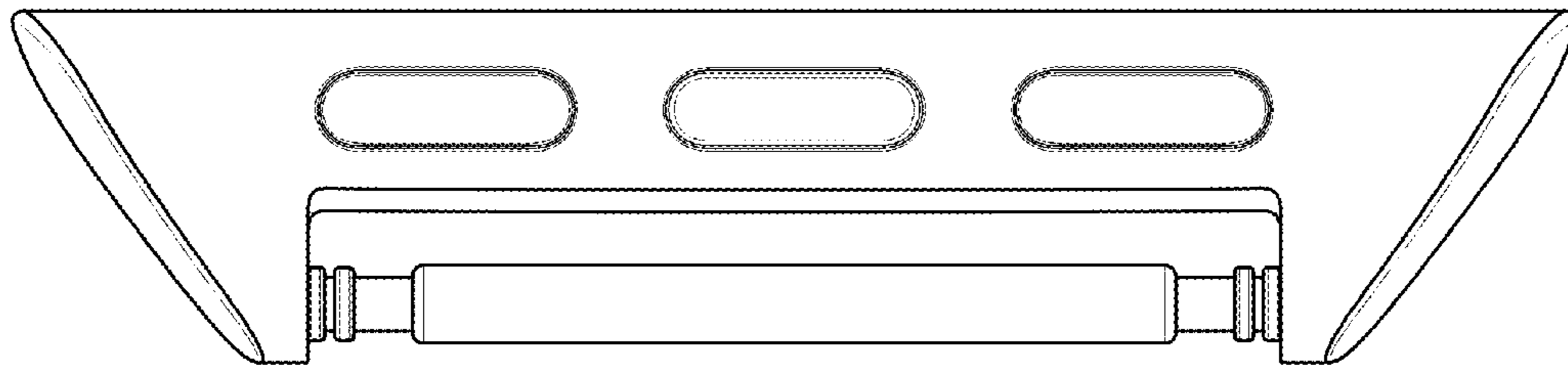


FIG. 3

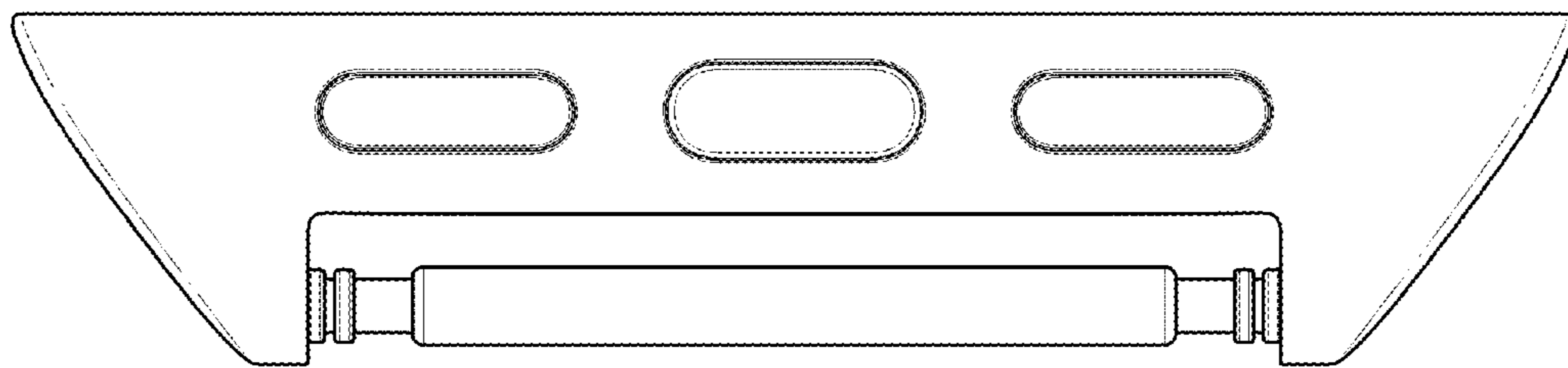
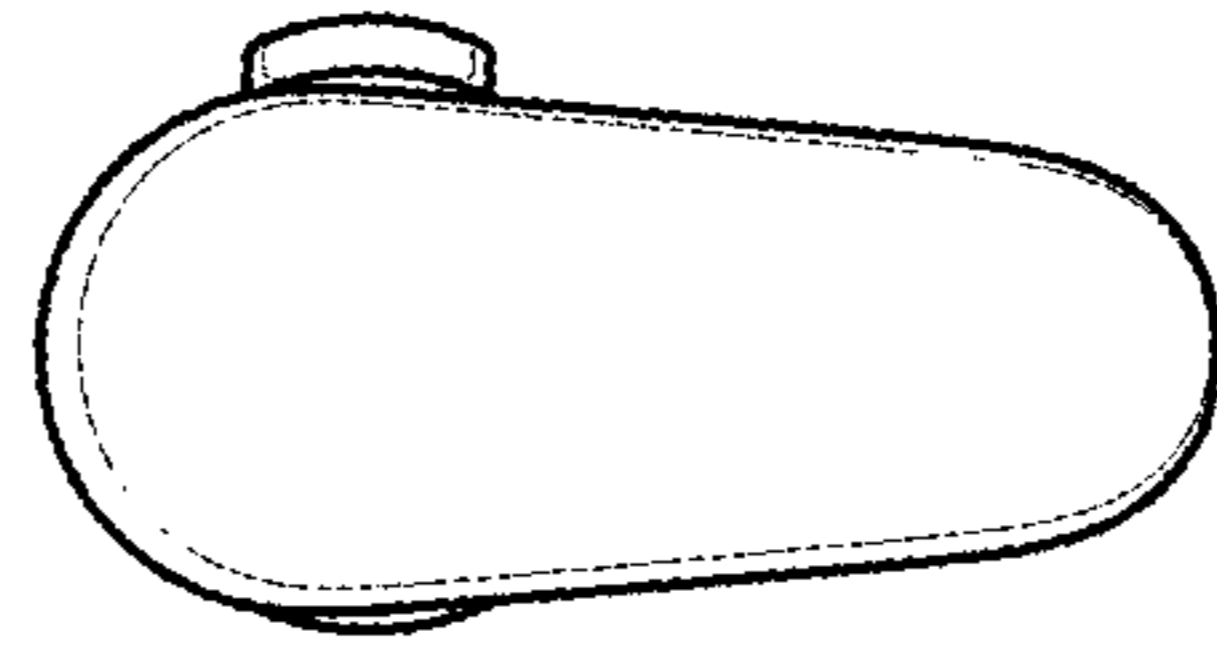
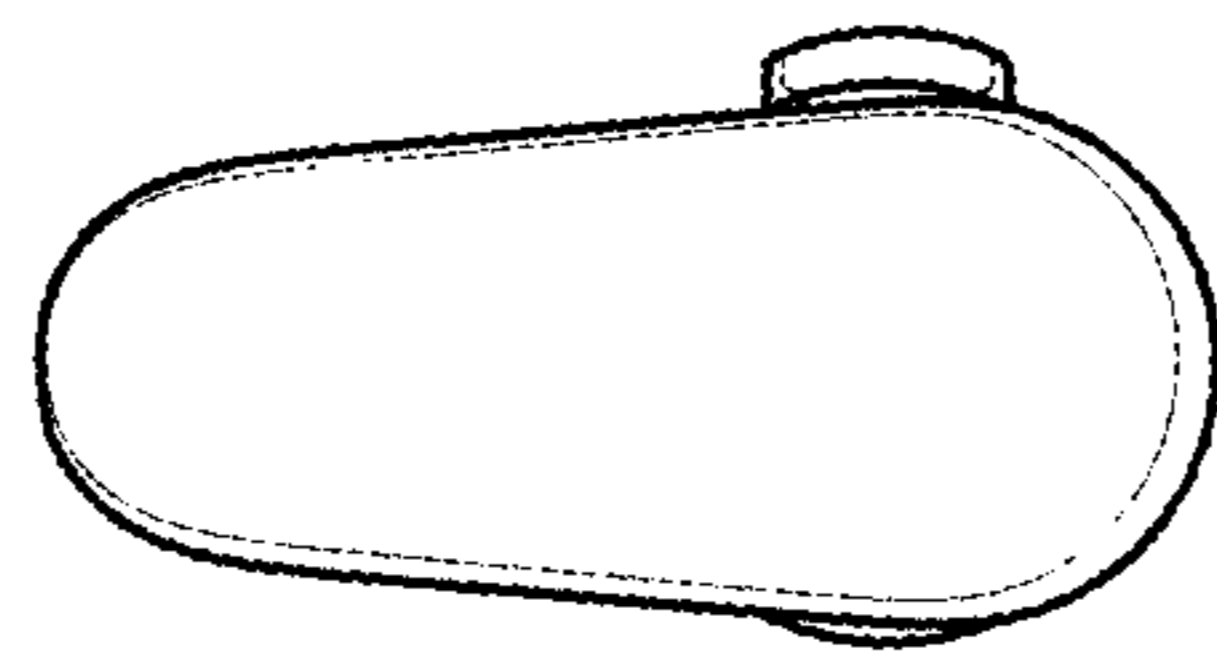


FIG. 4



**FIG. 5**



**FIG. 6**

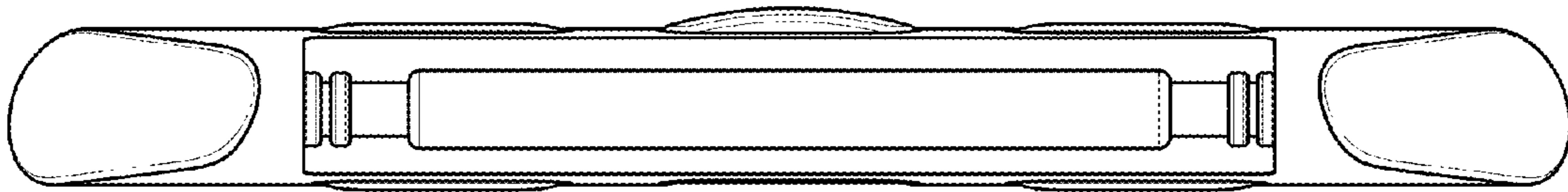


FIG. 7

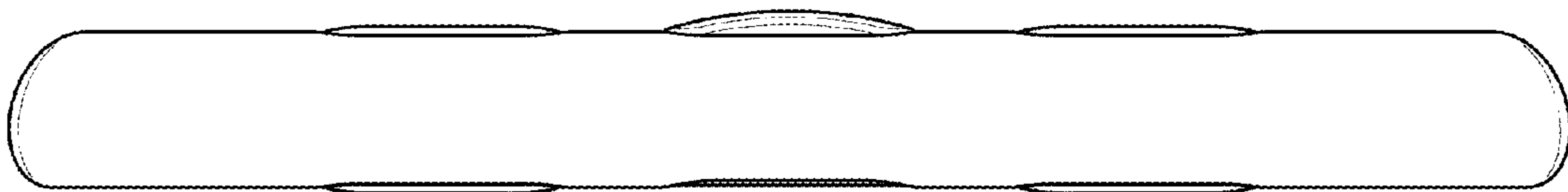


FIG. 8