



US00D749446S

(12) **United States Design Patent**
Michel

(10) **Patent No.:** **US D749,446 S**

(45) **Date of Patent:** **** Feb. 16, 2016**

(54) **BOX CALL WITH REPLACEABLE
SOUNDBOARD INSERTS**

(71) Applicant: **Deadly Calls, LLC**, Cresco, PA (US)

(72) Inventor: **Thomas J. Michel**, Cresco, PA (US)

(**) Term: **14 Years**

(21) Appl. No.: **29/457,555**

(22) Filed: **Jun. 11, 2013**

(51) **LOC (10) Cl.** **10-05**

(52) **U.S. Cl.**
USPC **D10/119.1**

(58) **Field of Classification Search**
USPC D10/119.1
CPC A01M 31/004
See application file for complete search history.

(56) **References Cited**

U.S. PATENT DOCUMENTS

D231,927 S *	6/1974	Shoemaker	D10/119.2
D360,160 S *	7/1995	Morningstar	D10/119.2
D415,054 S *	10/1999	Foster et al.	D10/119.1
D417,166 S *	11/1999	DeGroot	D10/119.1
D472,176 S *	3/2003	Atkinson	D10/119.1
D487,876 S *	3/2004	Atkinson	D10/116.1
D511,471 S *	11/2005	Cox	D10/116.1
D700,534 S *	3/2014	Horton	D10/119.1

* cited by examiner

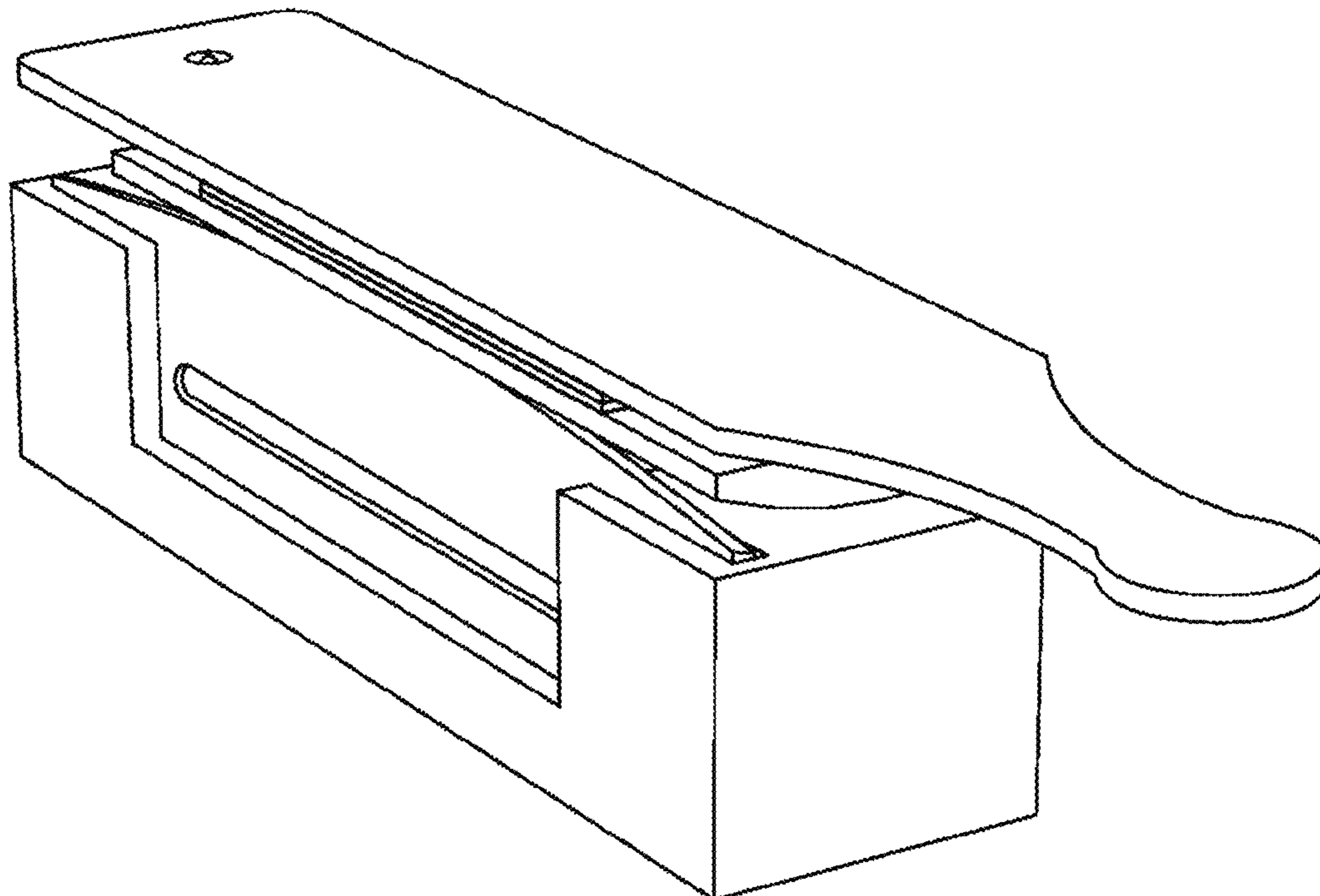
Primary Examiner — George D Kirschbaum
(74) *Attorney, Agent, or Firm* — Joe D. Calhoun

(57) **CLAIM**
The ornamental design for box call with replaceable soundboard inserts, as shown and described.

DESCRIPTION

This application is a continuation of co-pending U.S. Utility patent application Ser. No. 13/911,606, filed Jun. 6, 2013, the contents of which are incorporated by reference herein.
FIG. 1 is a perspective view of a box call with replaceable soundboard inserts, showing a lid assembly in a closed configuration showing my new design.
FIG. 2 is a top plan view thereof.
FIG. 3 is a bottom plan view thereof.
FIG. 4 is a left side elevation view thereof.
FIG. 5 is a right side elevation view thereof.
FIG. 6 is a front elevation view thereof.
FIG. 7 is a rear elevation view thereof.
FIG. 8 is another perspective view of FIG. 1 thereof, showing the lid assembly in an open configuration.
FIG. 9 is a top plan view of FIG. 10 thereof.
FIG. 10 is a bottom plan view of FIG. 10 thereof.
FIG. 11 is a left side elevation view of FIG. 10 thereof.
FIG. 12 is a right side elevation view of FIG. 10 thereof.
FIG. 13 is a rear elevation view of FIG. 10 thereof; and,
FIG. 14 is a front elevation view of FIG. 10 thereof.
The broken lines are for illustrative purposes only, and do not form part of the claimed invention.

1 Claim, 5 Drawing Sheets



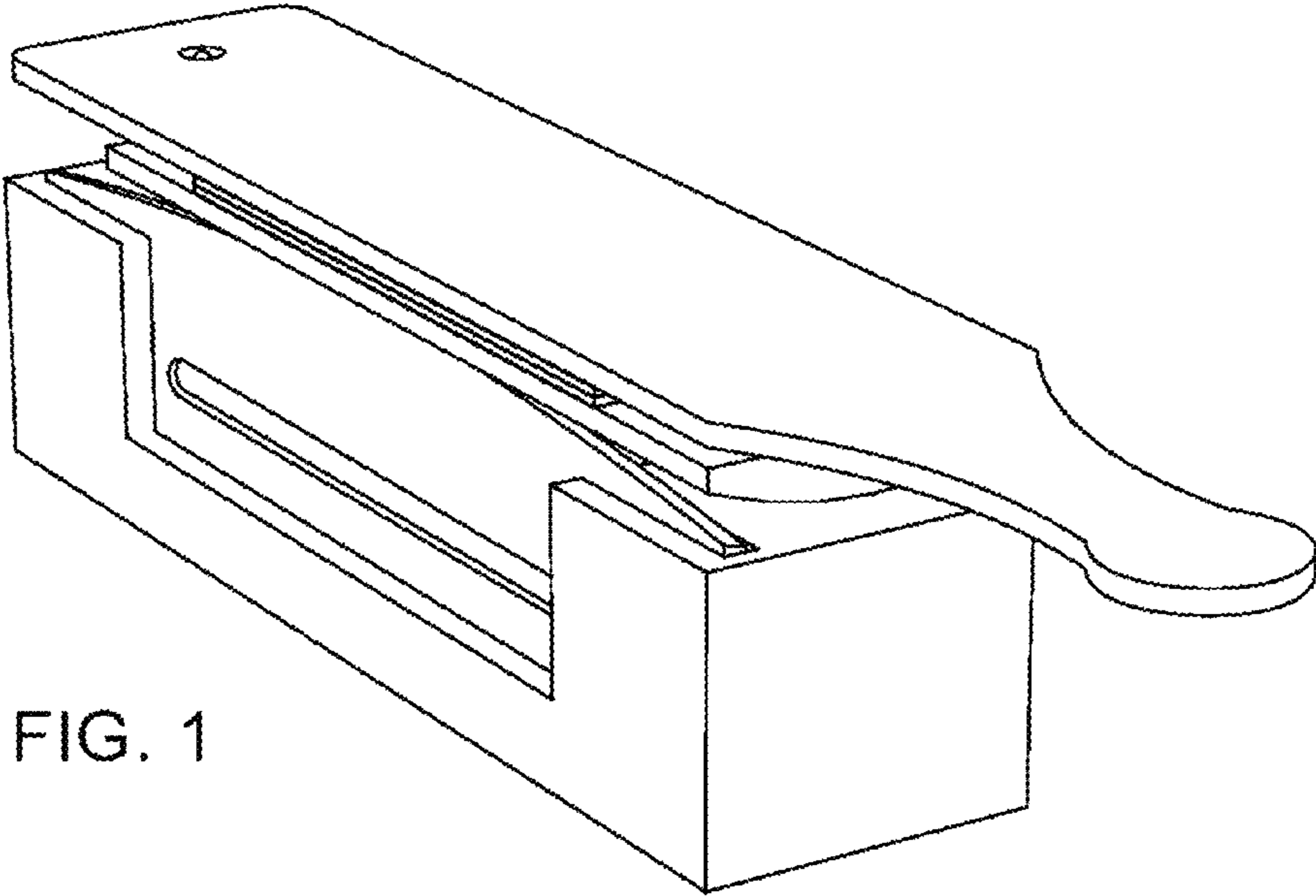


FIG. 1



FIG. 2



FIG. 3

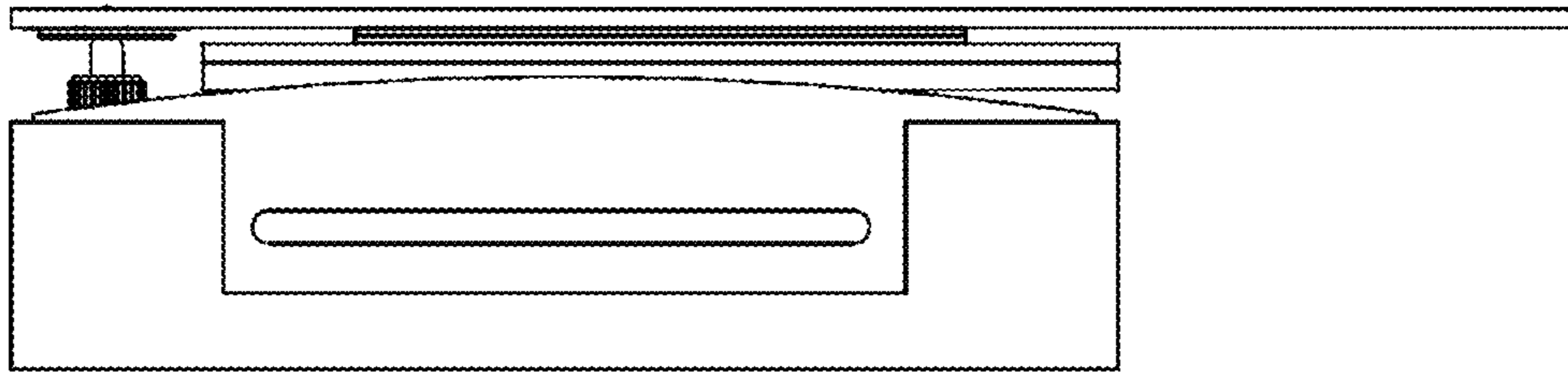


FIG. 4

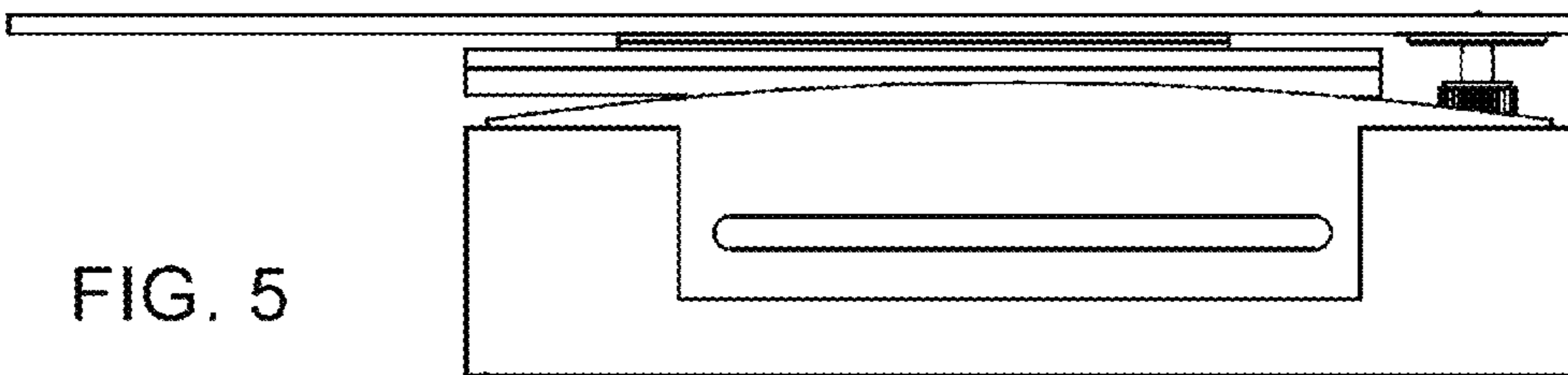


FIG. 5

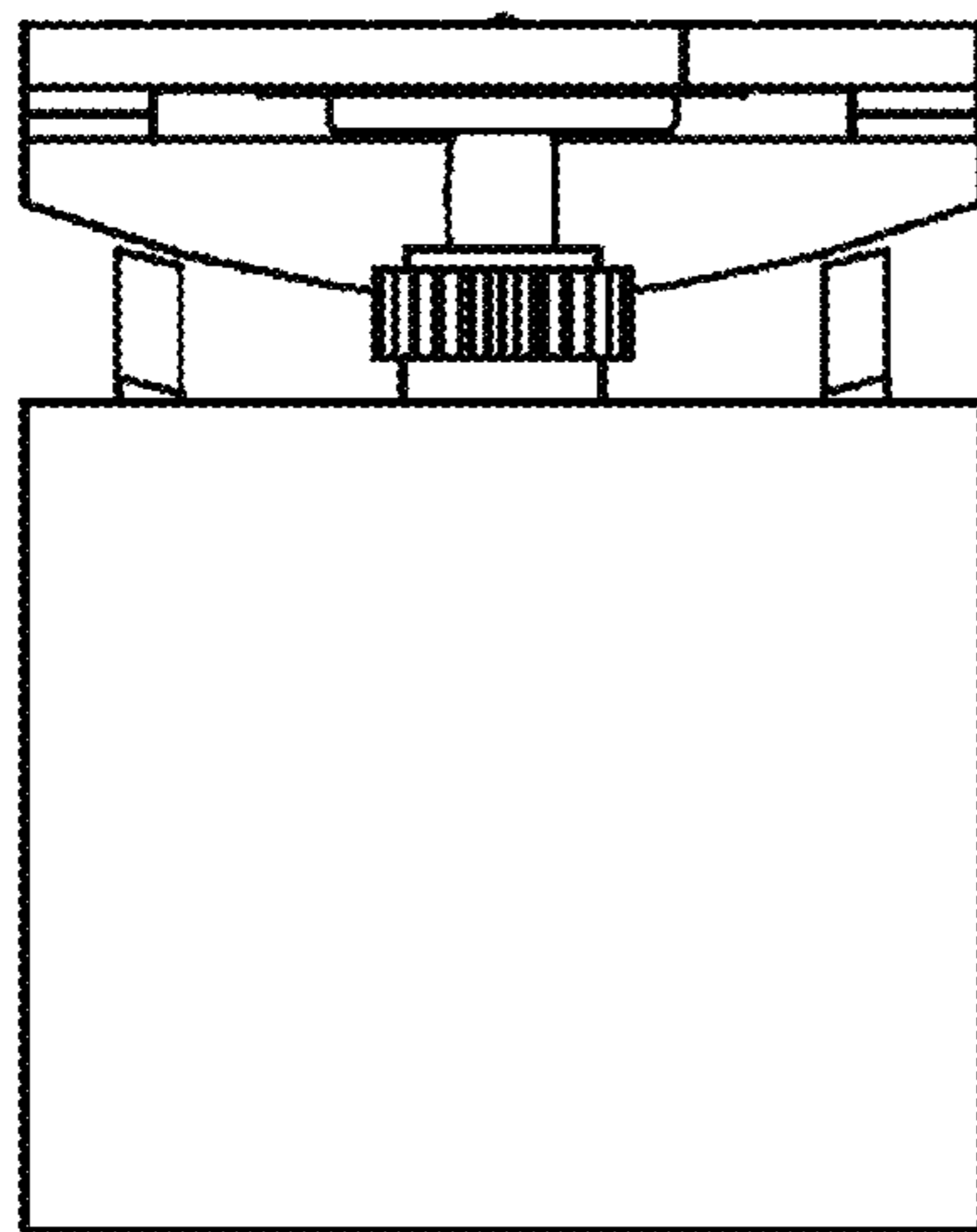


FIG. 6

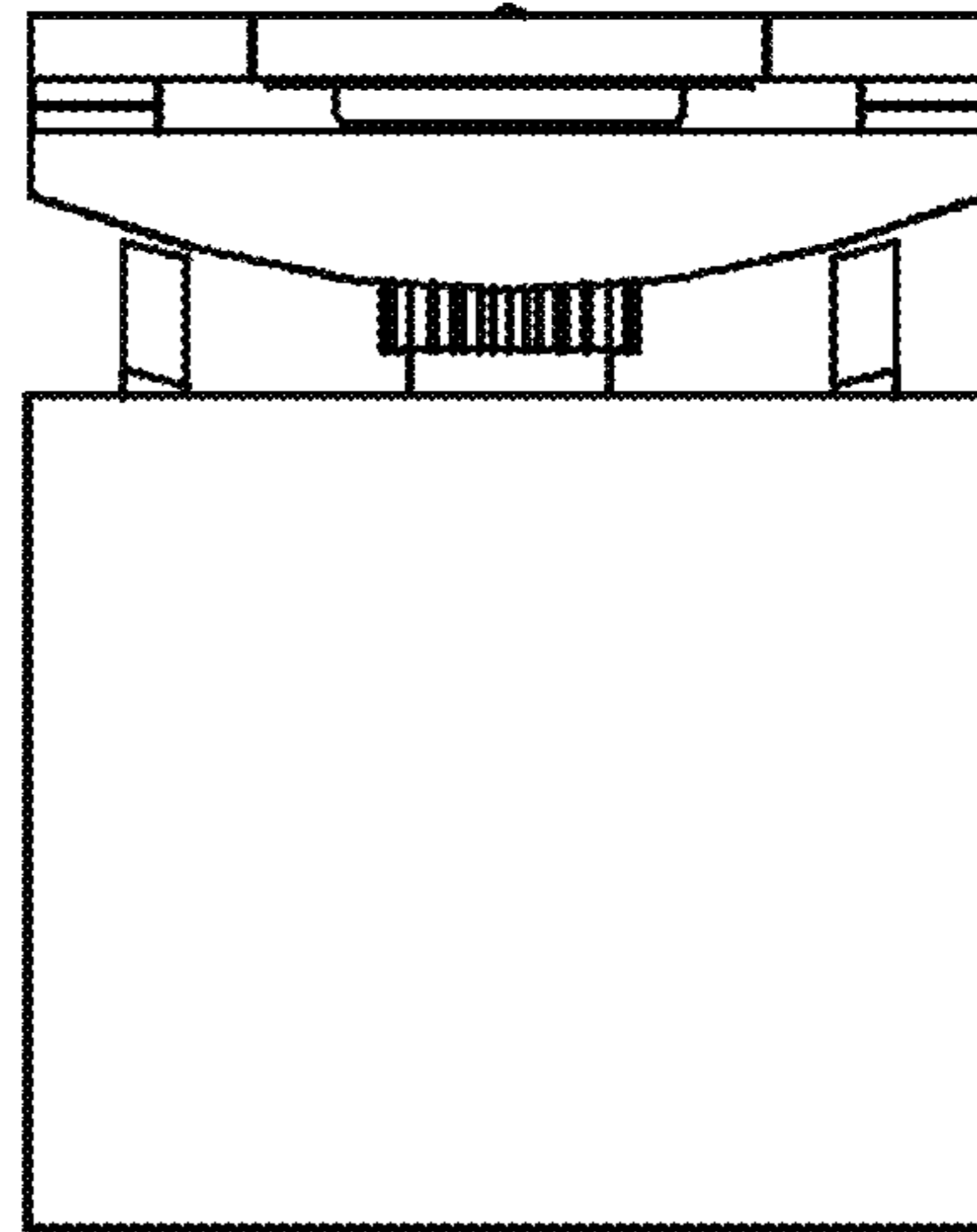


FIG. 7

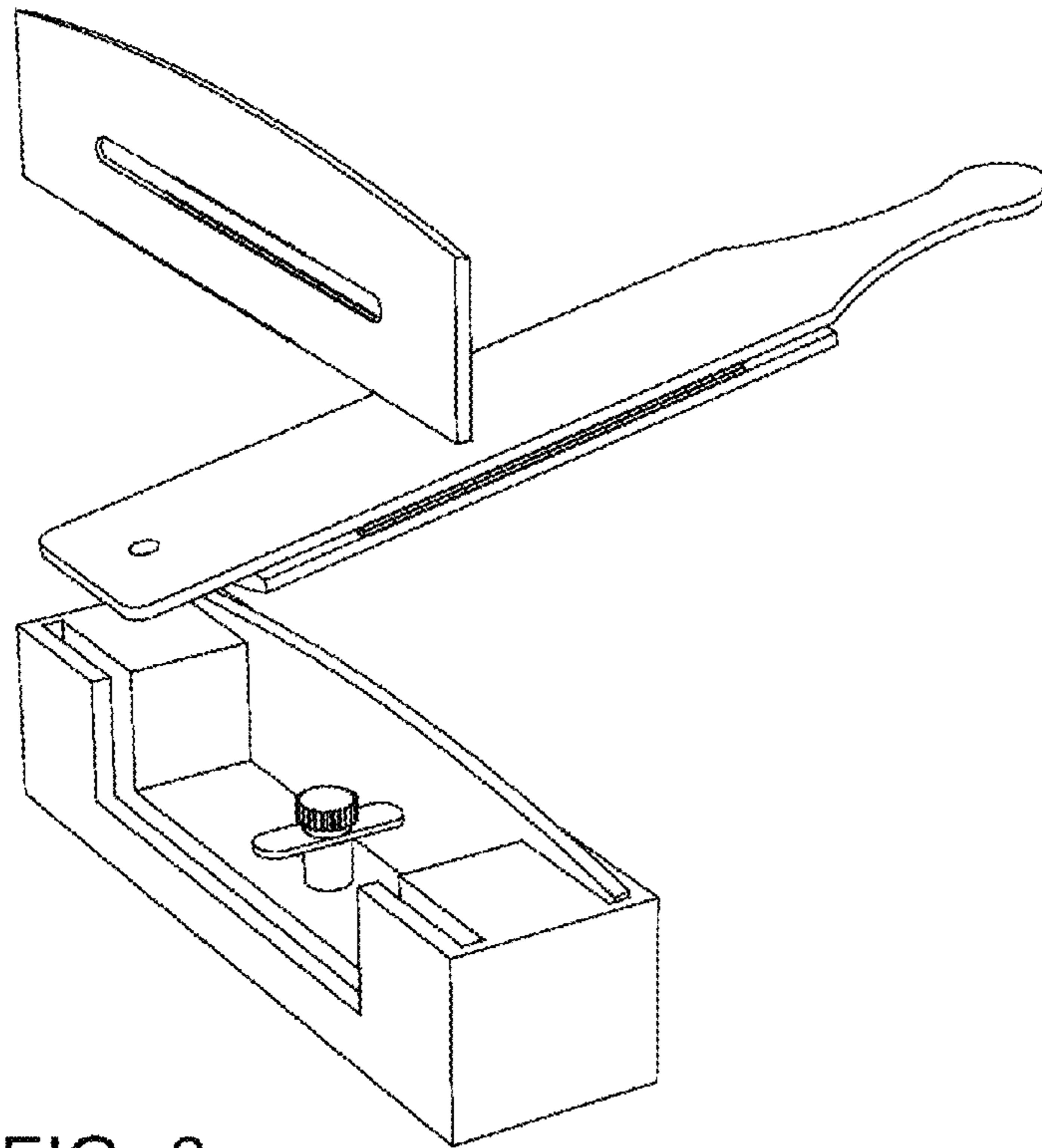


FIG. 8

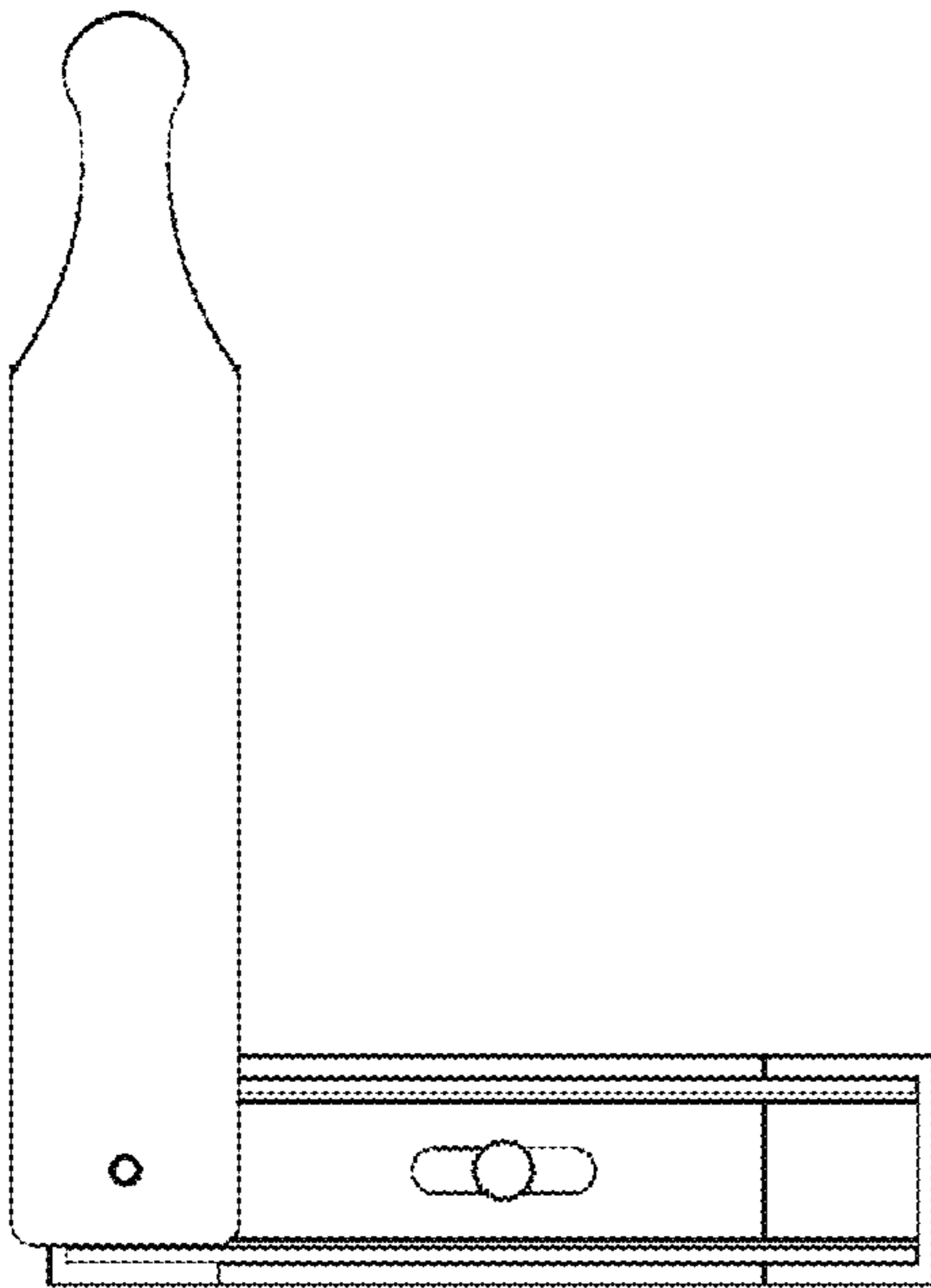


FIG. 9

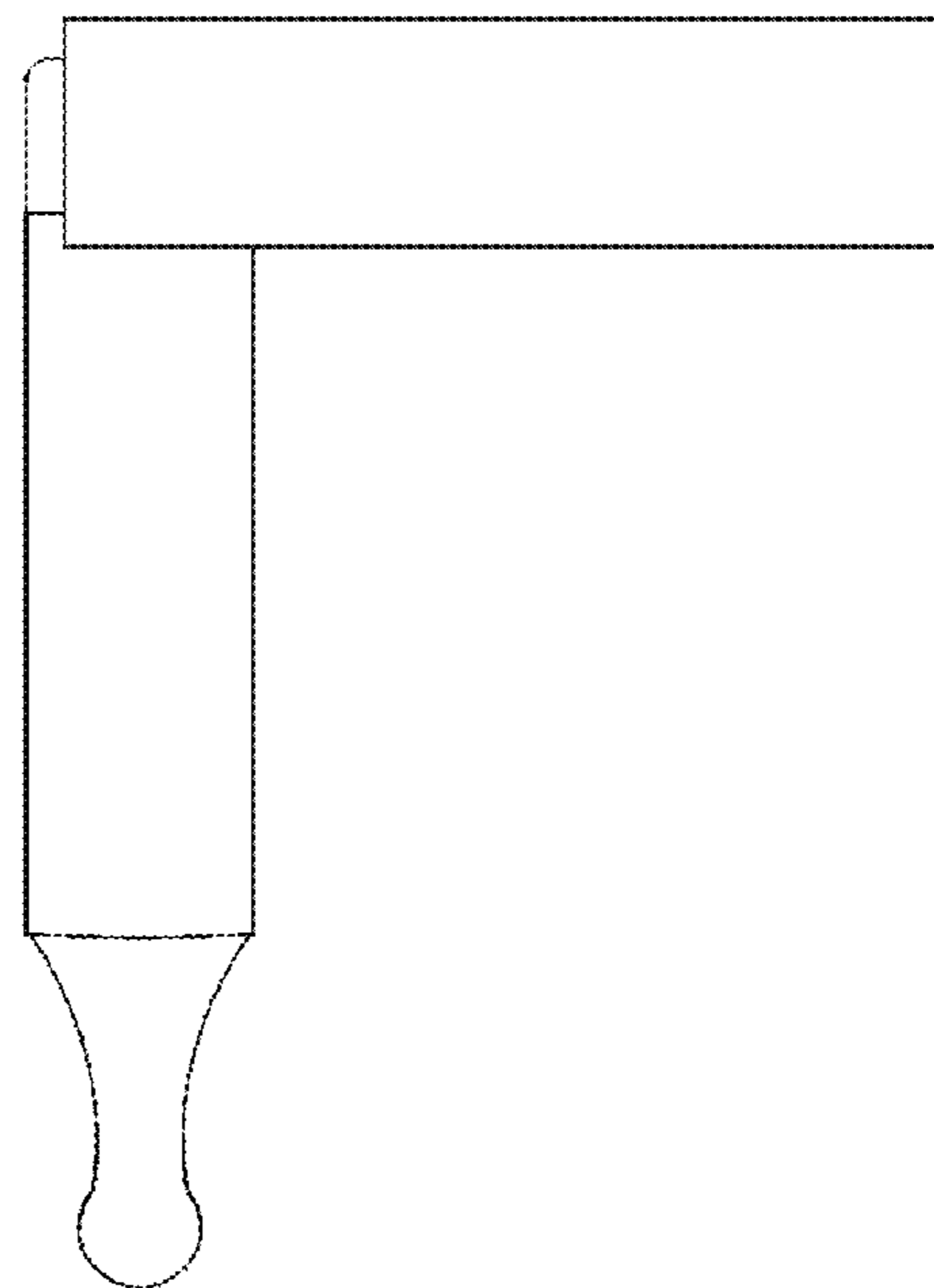


FIG. 10

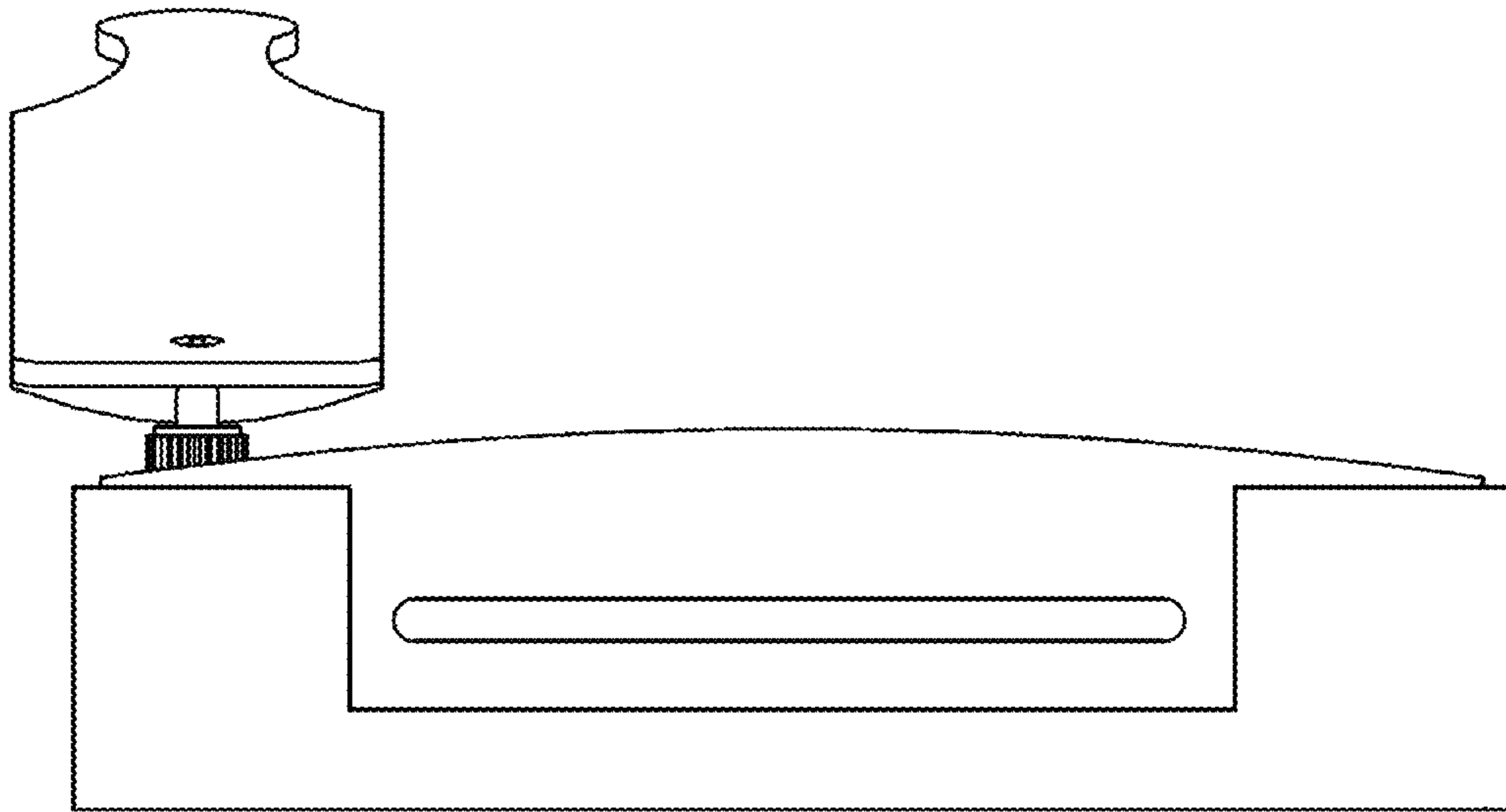


FIG. 11

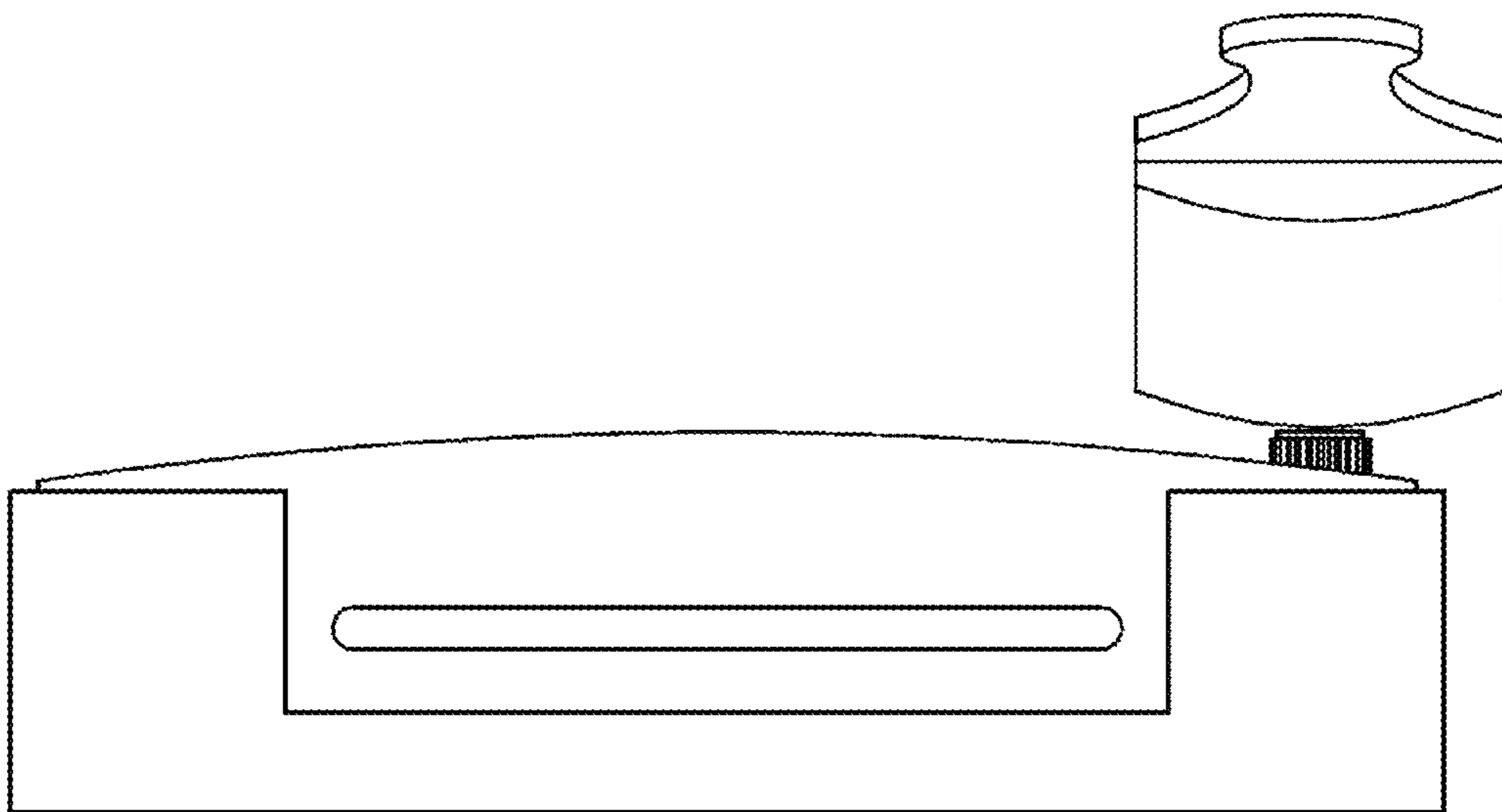


FIG. 12

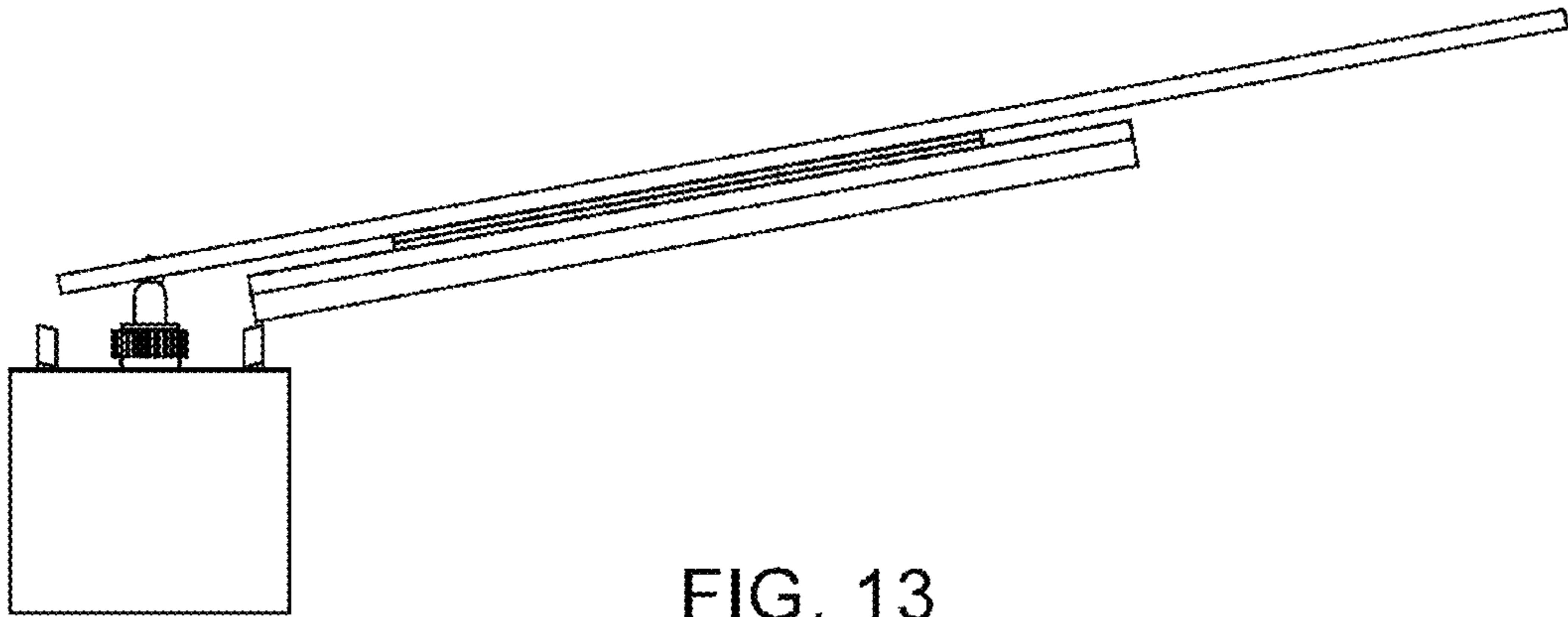


FIG. 13

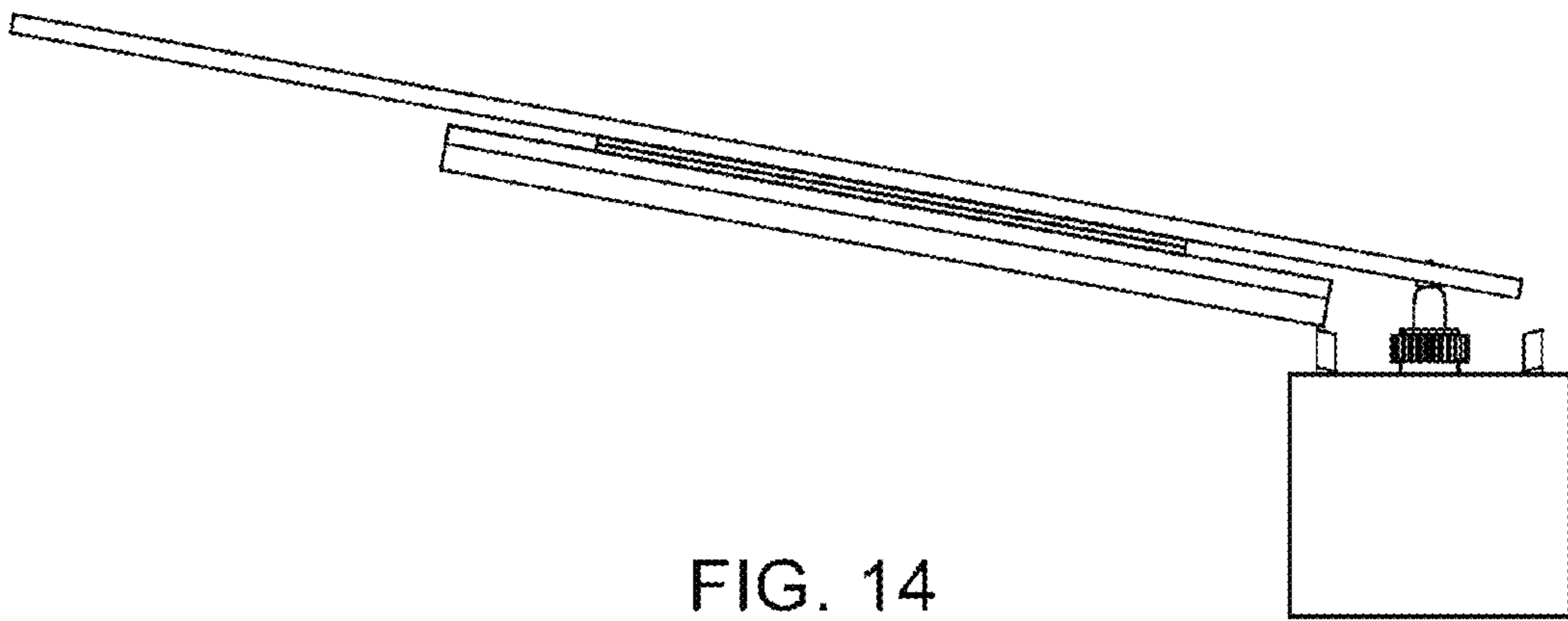


FIG. 14