



US00D749445S

(12) **United States Design Patent**
Yang

(10) **Patent No.:** **US D749,445 S**
(45) **Date of Patent:** **** Feb. 16, 2016**

- (54) **WIRELESS VIDEO DOORBELL**
- (71) Applicant: **Amaryllo International B.V.**, Zhubei,
Hsinchu County (TW)
- (72) Inventor: **Chao-Tung Yang**, Zhubei (TW)
- (73) Assignee: **AMARYLLO INTERNATIONAL**
B.V., Zhubei, Hsinchu County (TW)
- (**) Term: **14 Years**
- (21) Appl. No.: **29/487,019**
- (22) Filed: **Apr. 4, 2014**
- (51) **LOC (10) Cl.** **10-05**
- (52) **U.S. Cl.**
USPC **D10/118.2**
- (58) **Field of Classification Search**
USPC D10/118.1, 118.2; D14/159; D13/158
CPC H04M 11/02; H04M 11/025; H40N 7/186
See application file for complete search history.

D500,751 S *	1/2005	Yukikado	D14/159
D519,100 S *	4/2006	Shioya	D14/159
D525,963 S *	8/2006	Yukikado	D14/159
7,113,578 B2 *	9/2006	Unger	H04M 1/0291 379/167.01
D531,160 S *	10/2006	Yukikado	D14/159
D562,306 S *	2/2008	Jeong	D14/159
D588,574 S *	3/2009	Takahata	D14/159
D692,847 S *	11/2013	Barley	D14/159
D710,727 S *	8/2014	Siminoff	D10/118.1
D727,769 S *	4/2015	Scalisi	D10/118.2

* cited by examiner

Primary Examiner — George D Kirschbaum

(74) *Attorney, Agent, or Firm* — Muncy, Geissler, Olds & Lowe, P.C.

(57) **CLAIM**

The ornamental design for a wireless video doorbell, as shown and described.

DESCRIPTION

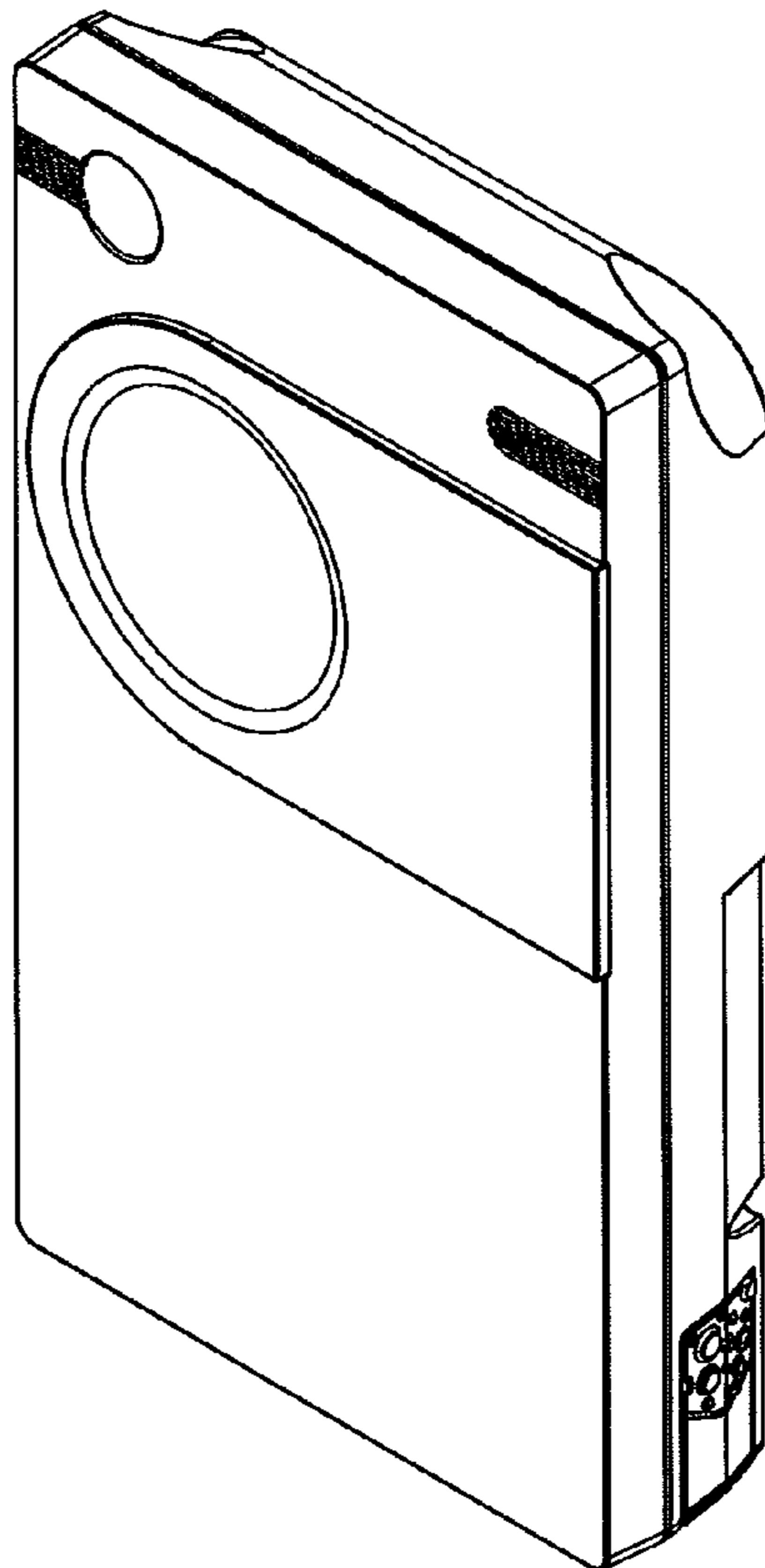
FIG. 1 is a front right perspective view of a wireless video doorbell showing my new design;
FIG. 2 is a front perspective view thereof;
FIG. 3 is a rear perspective view thereof;
FIG. 4 is a left side elevation view thereof;
FIG. 5 is a right side elevation view thereof;
FIG. 6 is a top plan view thereof; and,
FIG. 7 is a bottom plan view thereof.

1 Claim, 5 Drawing Sheets

(56) **References Cited**

U.S. PATENT DOCUMENTS

D197,278 S *	1/1964	Stevenson	D13/171
D283,130 S *	3/1986	Boenning	379/167.05
D392,576 S *	3/1998	Pun	D10/118



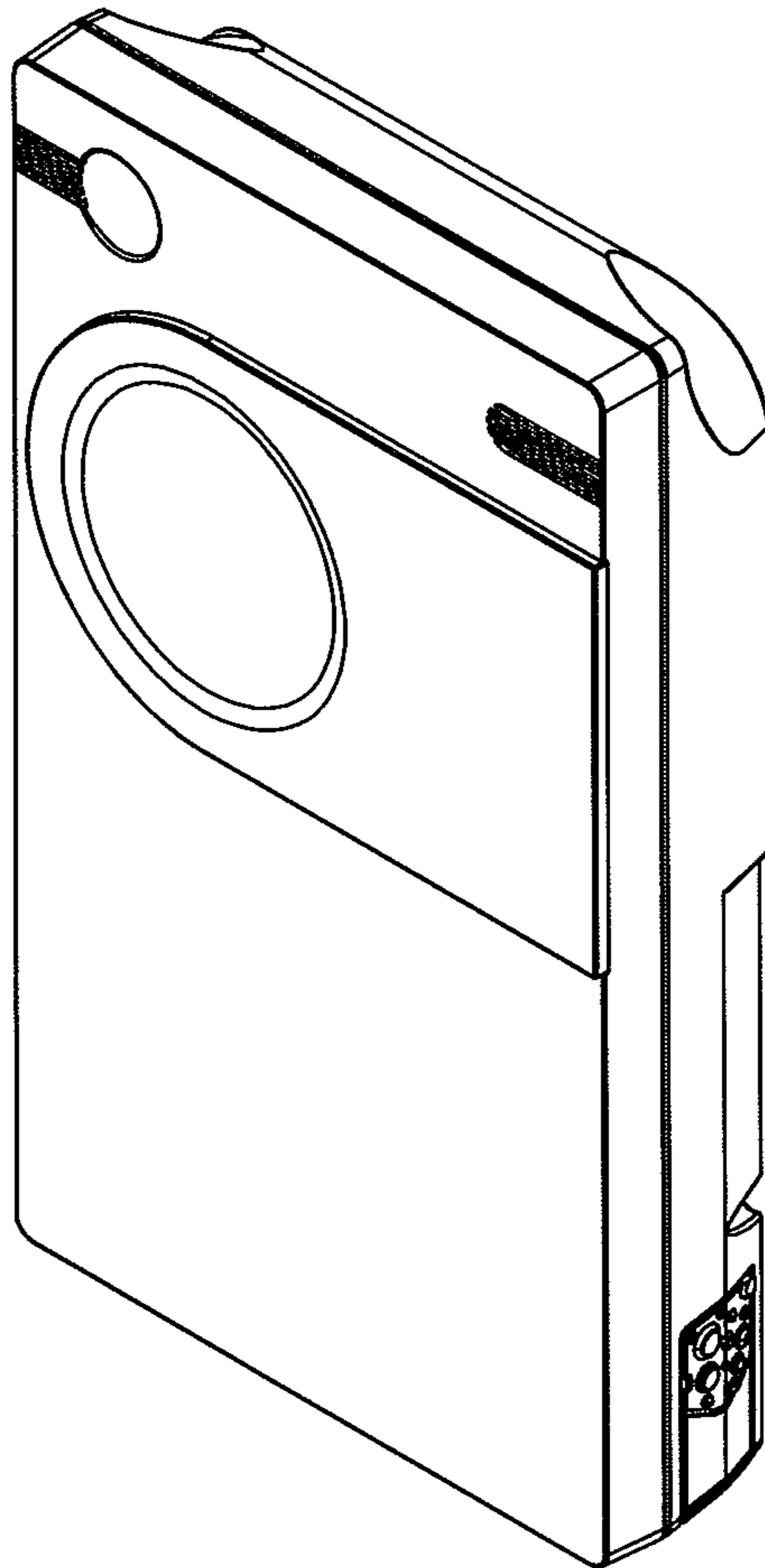


FIG. 1

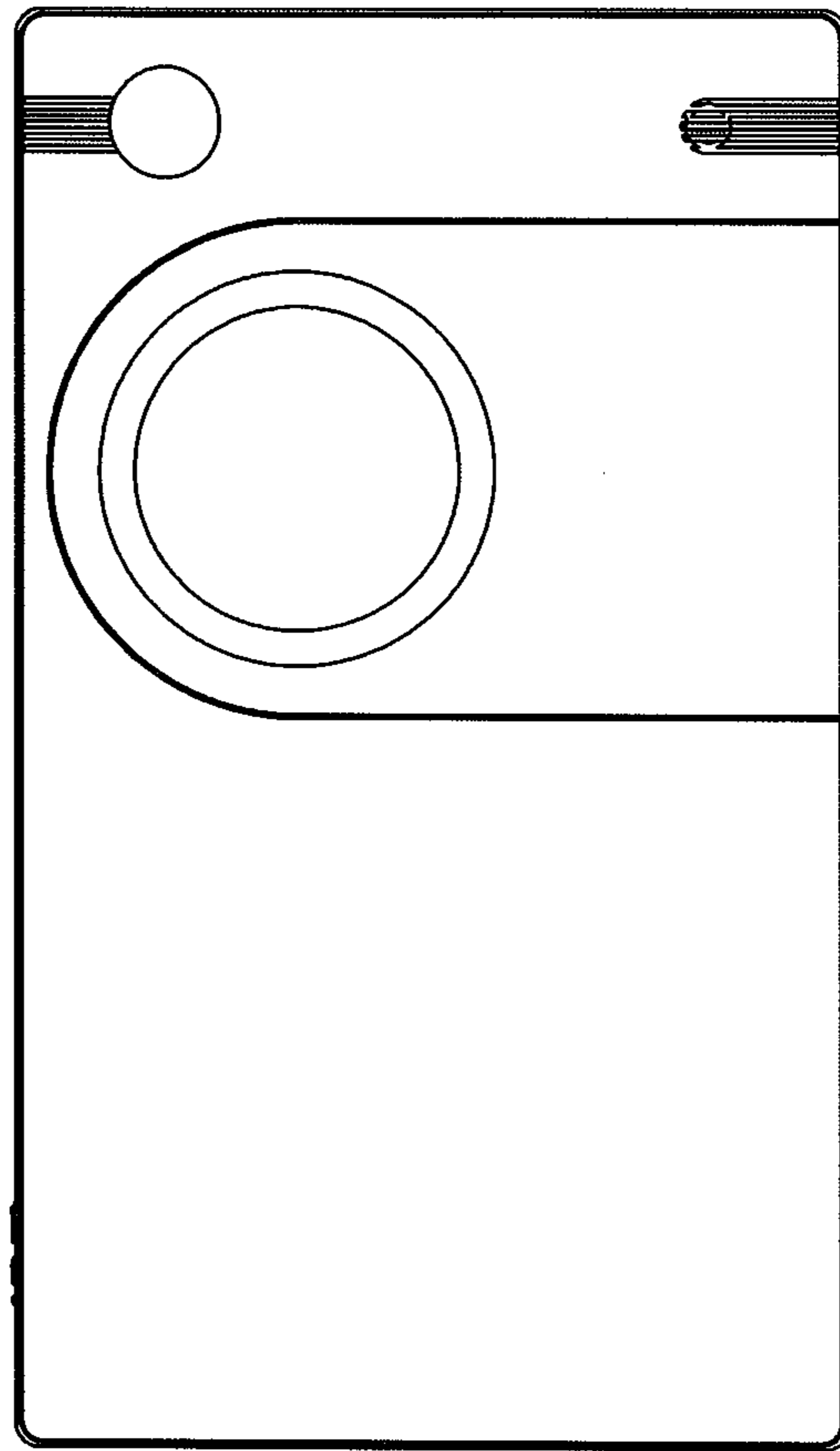


FIG. 2

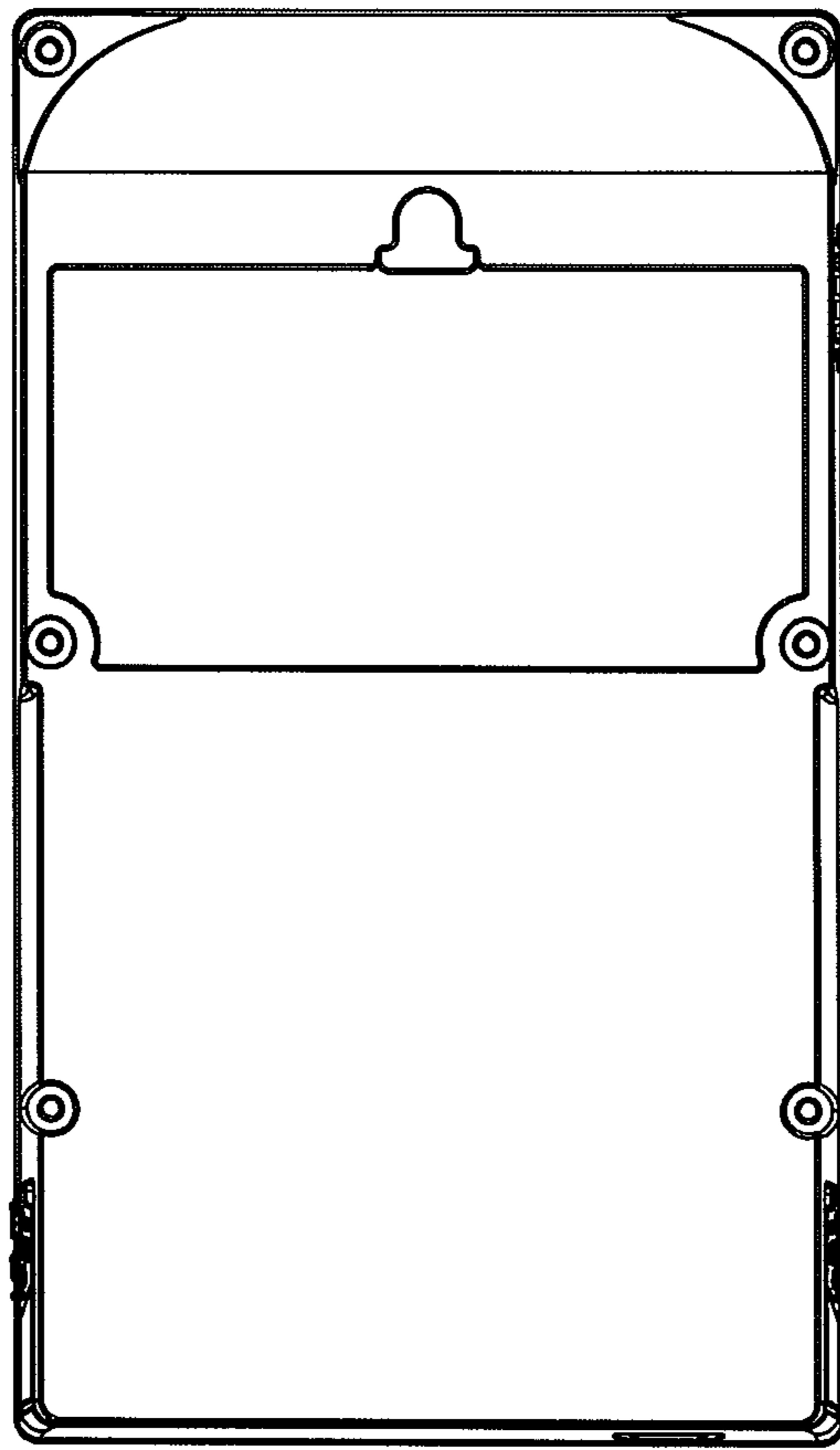


FIG. 3

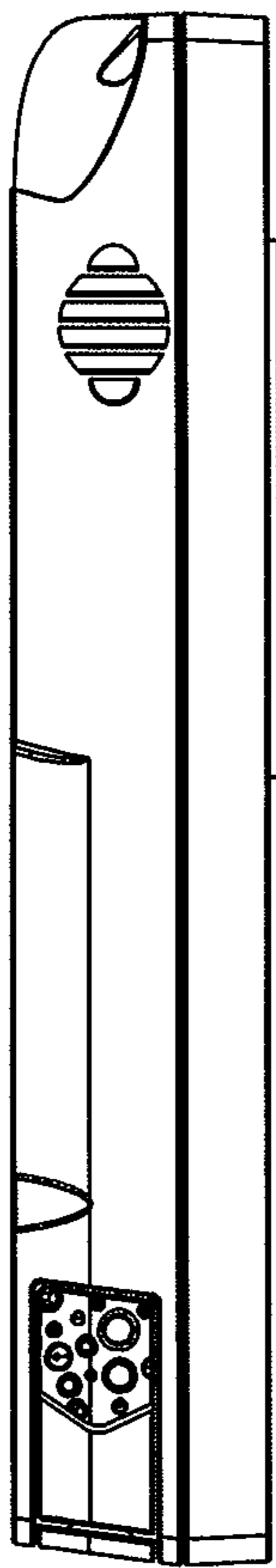


FIG. 4

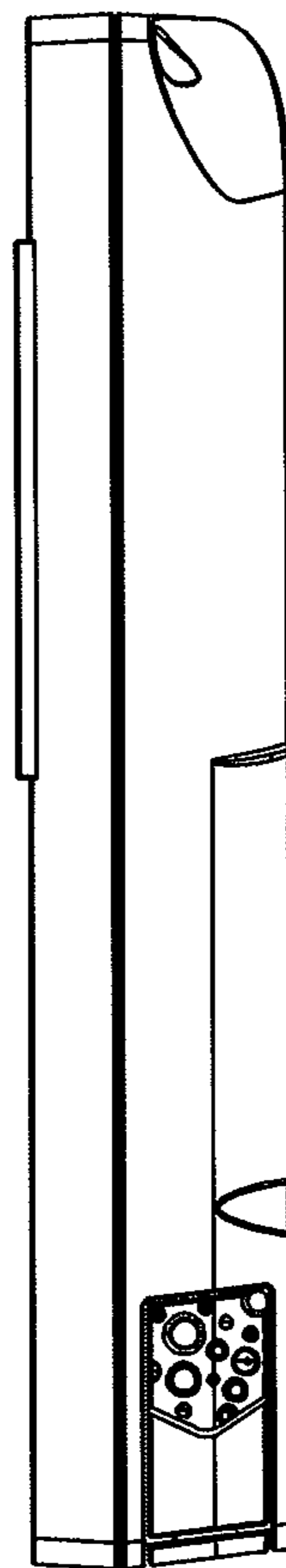


FIG. 5

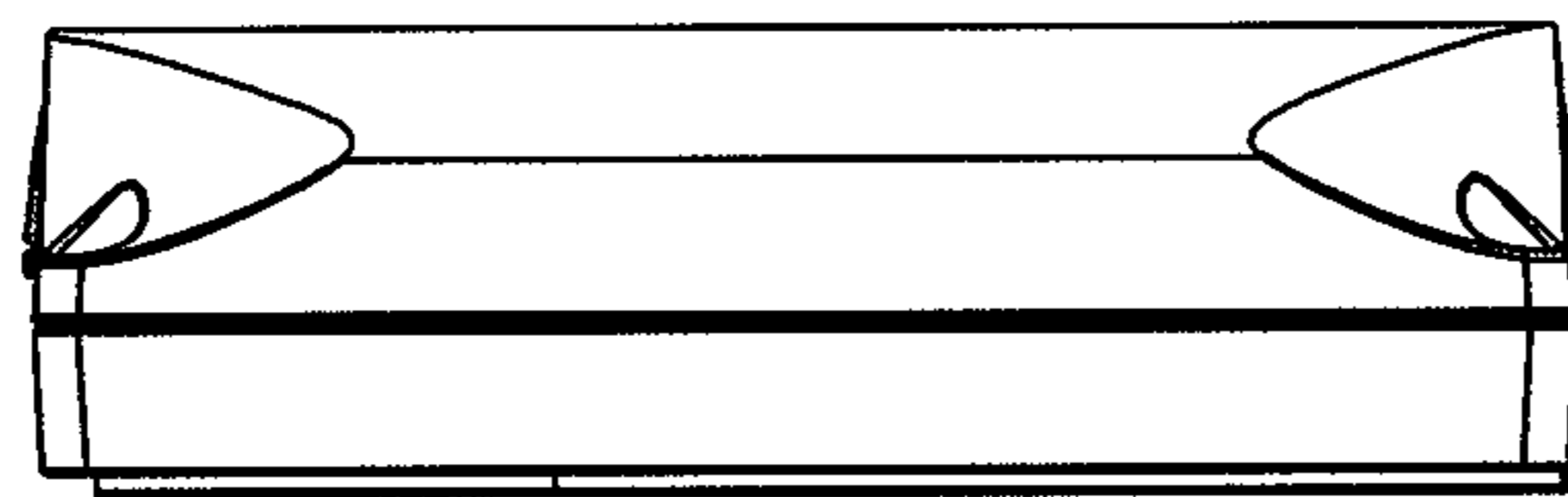


FIG. 6

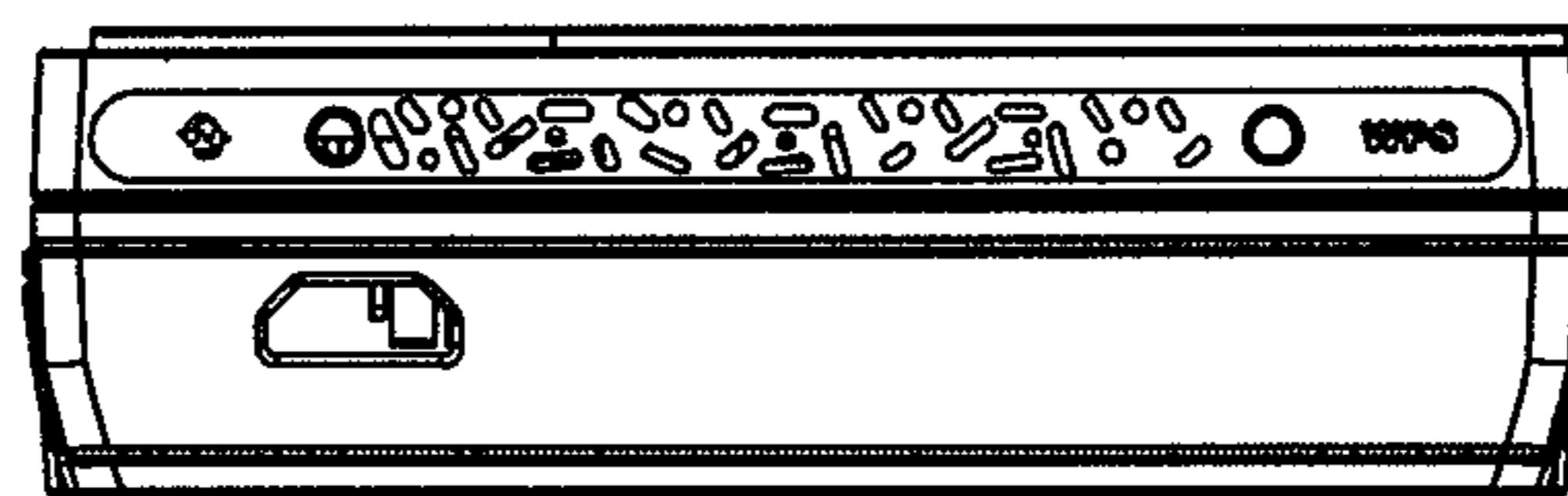


FIG. 7