



US00D749443S

(12) **United States Design Patent**
Knighnten

(10) **Patent No.:** **US D749,443 S**

(45) **Date of Patent:** **** Feb. 16, 2016**

(54) **CHEVRON TRAFFIC DRUM**

(56) **References Cited**

(71) Applicant: **Prime Environmental Services, LLC,**
Houston, TX (US)

U.S. PATENT DOCUMENTS

(72) Inventor: **Dedrick Deverie Knighnten,** Houston,
TX (US)

5,753,347 A *	5/1998	Baker	B32B 3/28
				428/182
6,019,542 A *	2/2000	Bent	E01F 9/0122
				116/63 P
6,786,673 B2 *	9/2004	Kulp	E01F 15/086
				116/63 P
8,794,172 B2 *	8/2014	Bromm	E01F 9/0122
				116/63 P

(73) Assignee: **Prime Environmental Services, LLC,**
Houston, TX (US)

* cited by examiner

(**) Term: **14 Years**

Primary Examiner — George D Kirschbaum
(74) *Attorney, Agent, or Firm* — Brinks Gilson & Lione;
Ryan L. Marshall

(21) Appl. No.: **29/522,695**

(57) **CLAIM**

(22) Filed: **Apr. 1, 2015**

The ornamental design for a chevron traffic drum, as shown
and described.

(51) **LOC (10) Cl.** **10-05**

DESCRIPTION

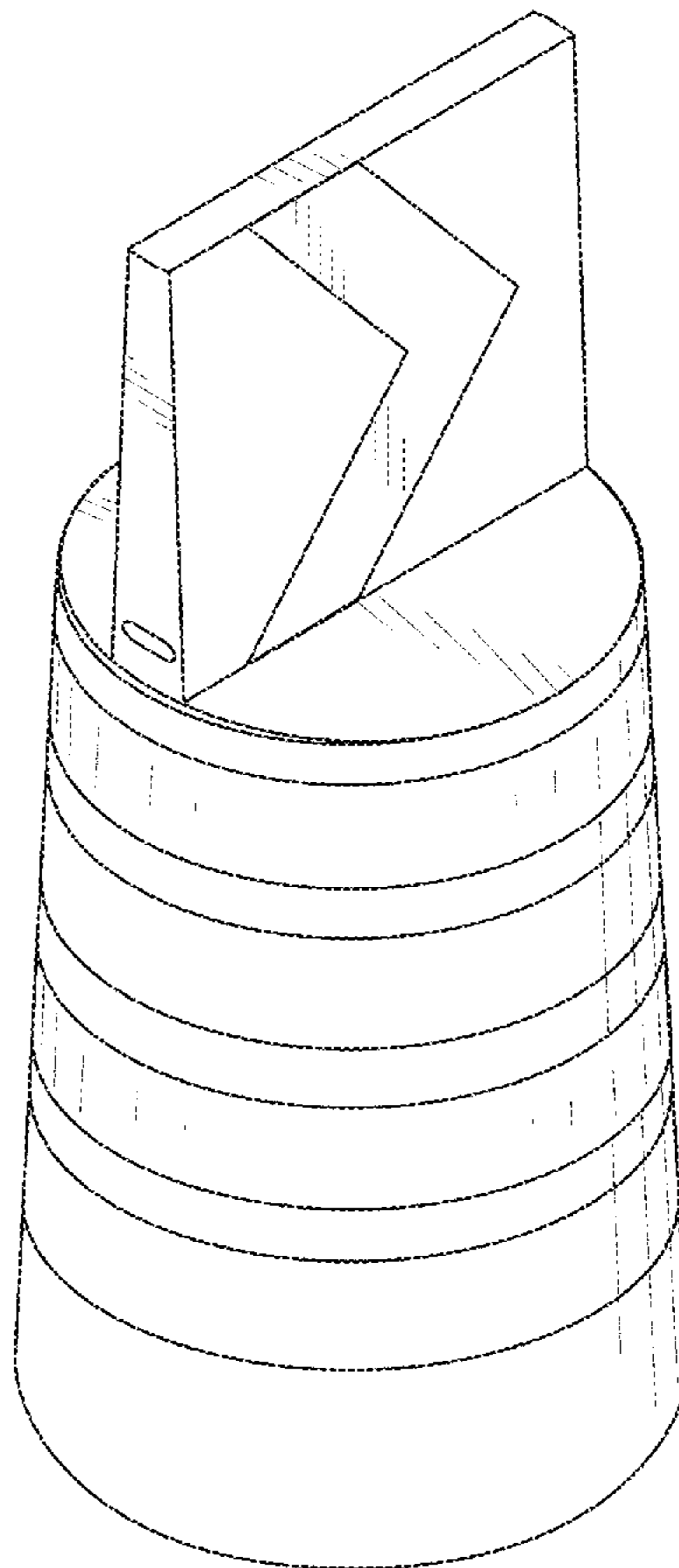
(52) **U.S. Cl.**
USPC **D10/113.3**

FIG. 1 is a perspective view of a traffic drum according to the
present invention;
FIG. 2 is a front view thereof;
FIG. 3 is a side view thereof;
FIG. 4 is a top view thereof; and,
FIG. 5 is a bottom view thereof.

(58) **Field of Classification Search**
USPC D10/113.2, 113.3
CPC E01F 9/0122; E01F 9/086

See application file for complete search history.

1 Claim, 3 Drawing Sheets



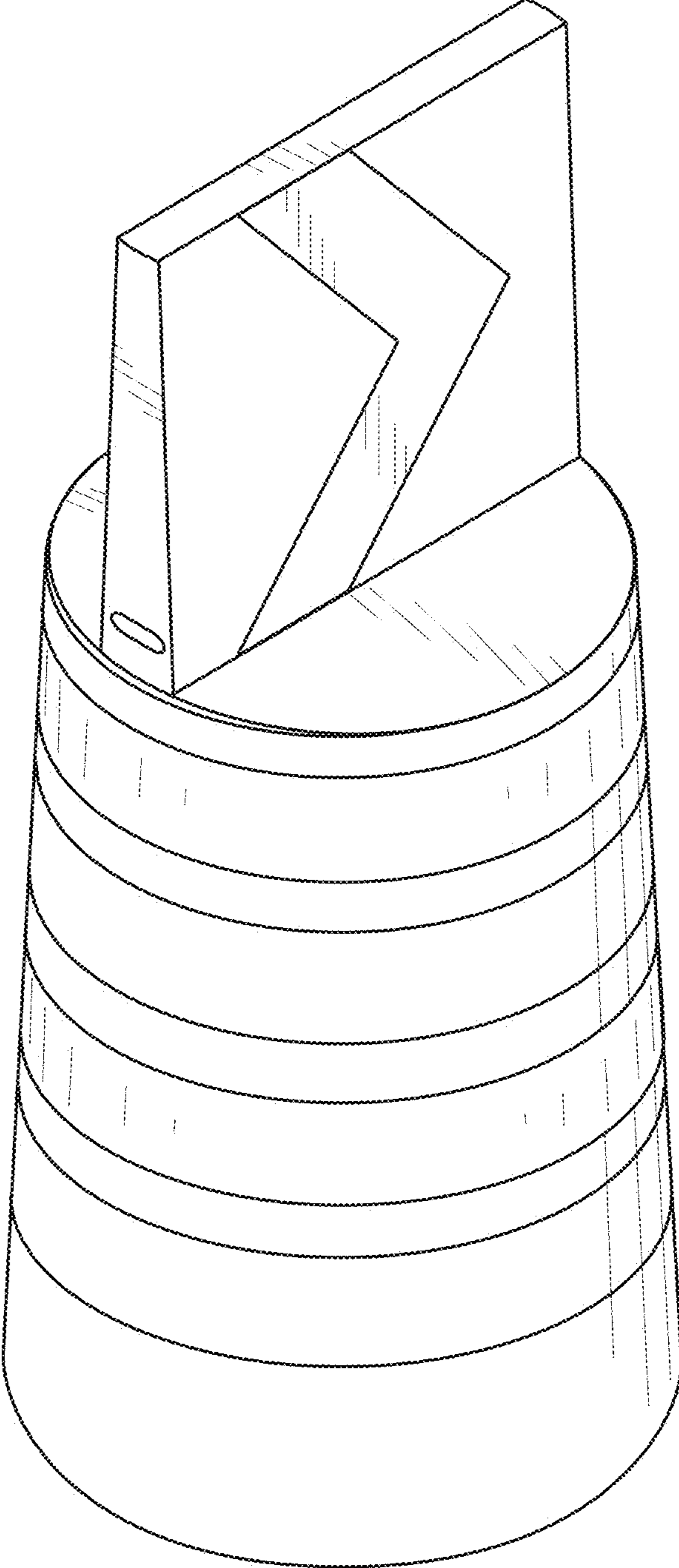


FIG. 1

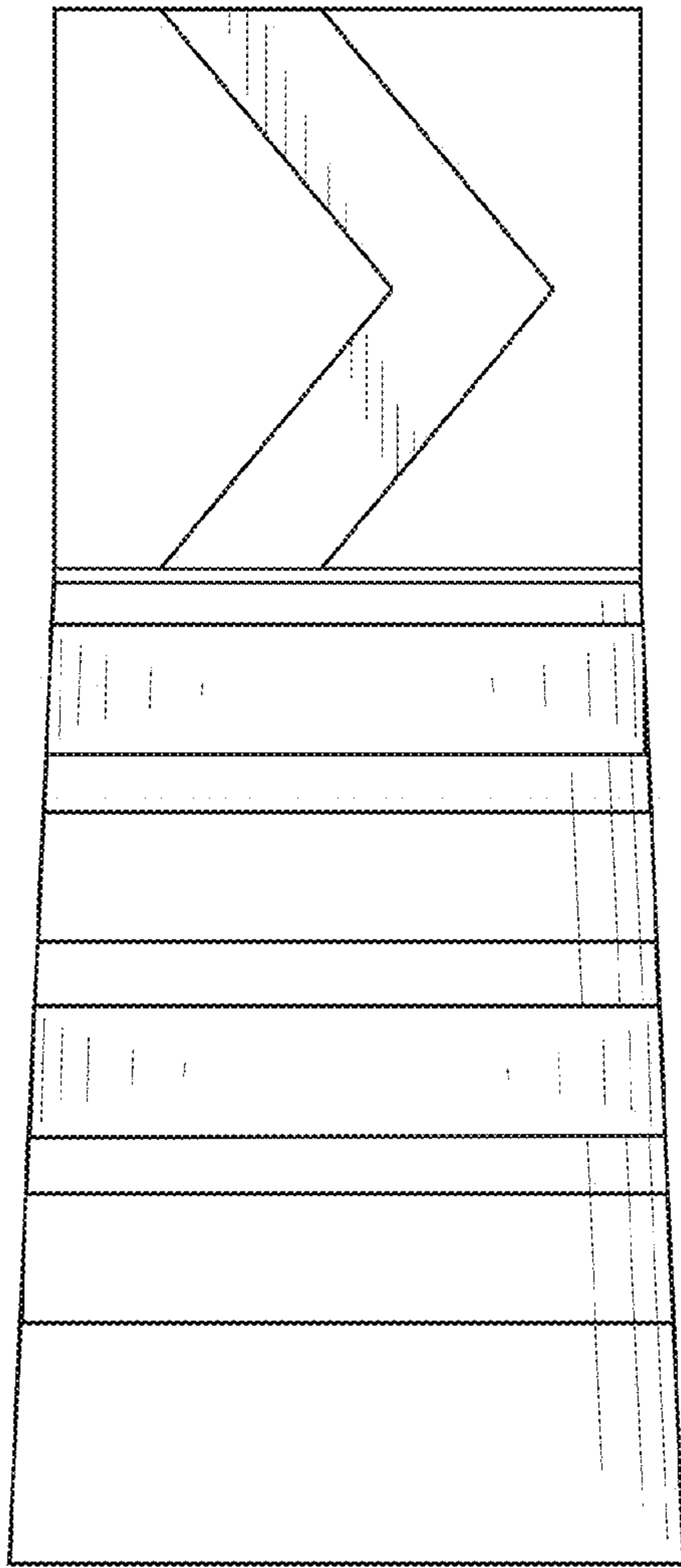


FIG. 2

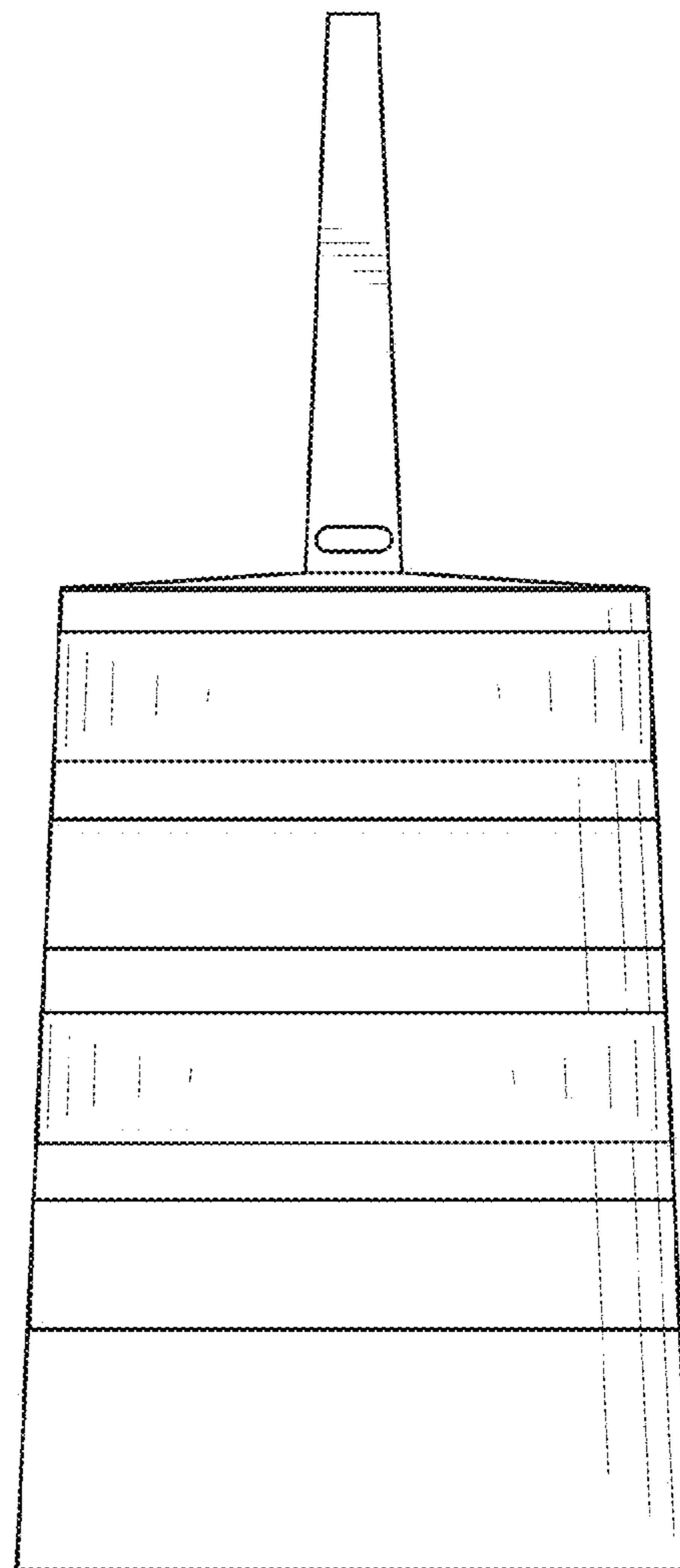


FIG. 3

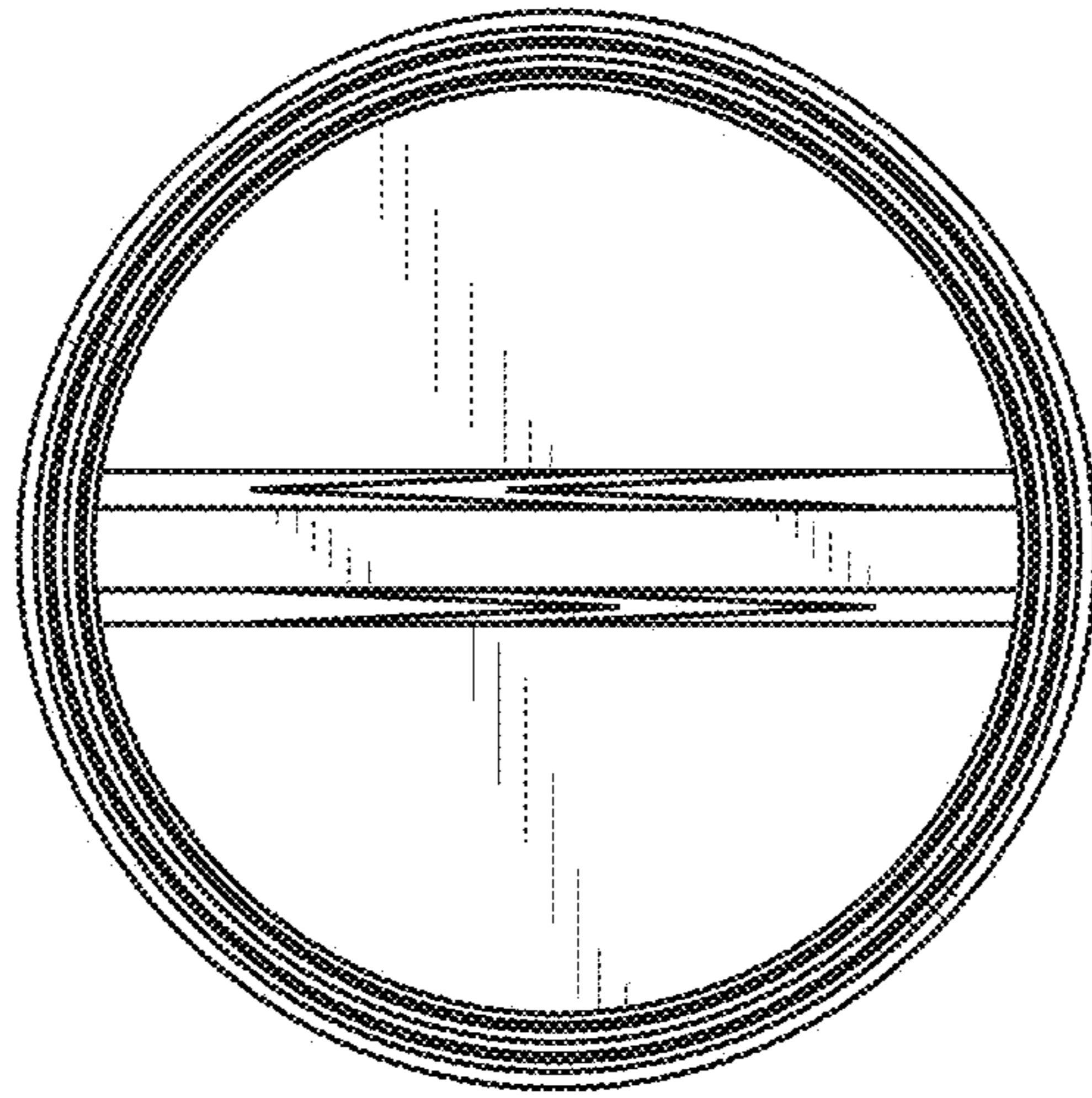


FIG. 4

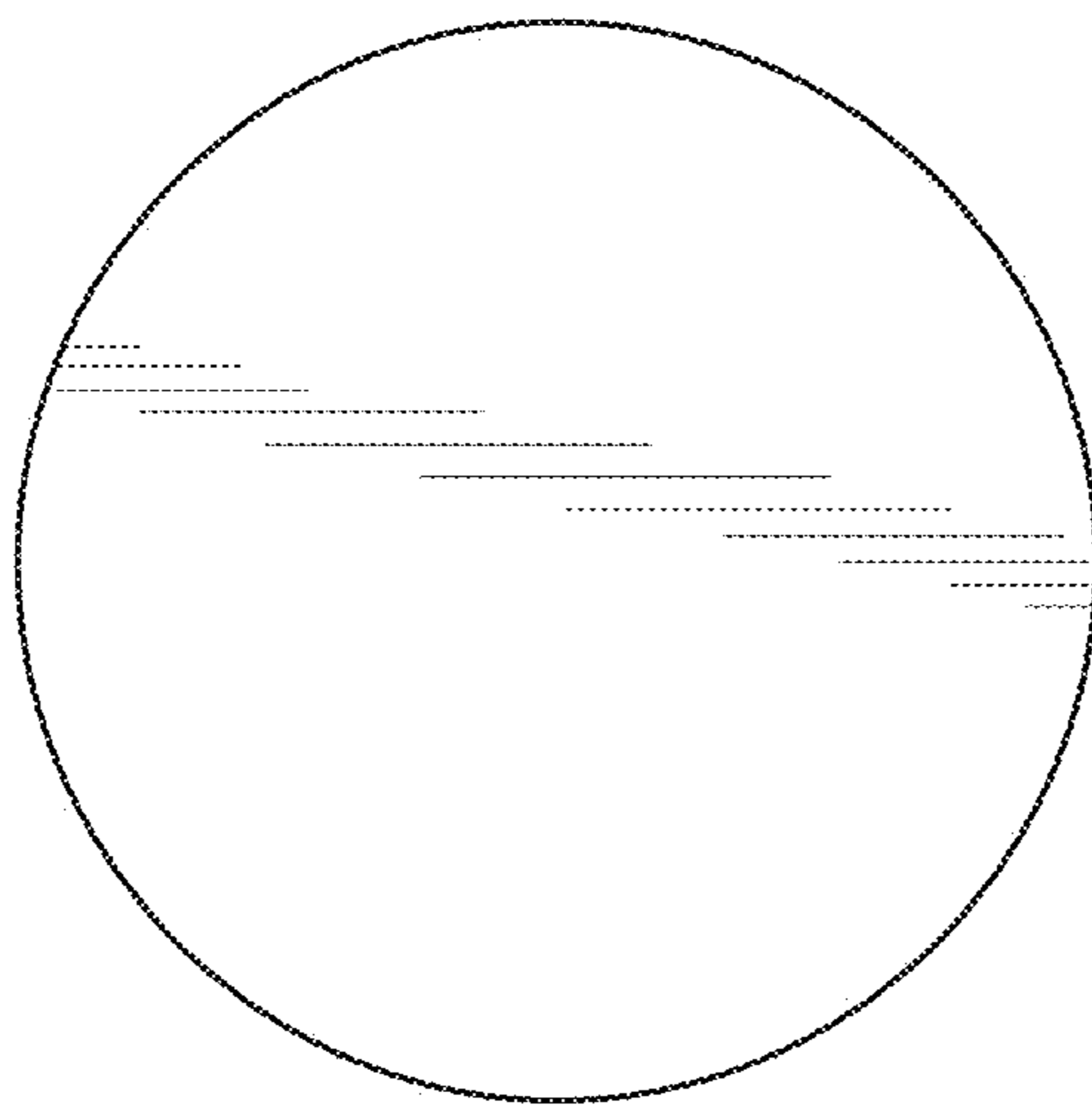


FIG. 5