



US00D749439S

(12) **United States Design Patent**
Thur

(10) **Patent No.:** **US D749,439 S**

(45) **Date of Patent:** **** Feb. 16, 2016**

(54) **TAILGATE SENSOR**

(71) Applicant: **Guardian Technologies LLC**, Euclid, OH (US)

(72) Inventor: **Charles Thur**, Broadview Heights, OH (US)

(73) Assignee: **Guardian Technologies LLC**, Euclid, OH (US)

(**) Term: **14 Years**

(21) Appl. No.: **29/509,021**

(22) Filed: **Nov. 13, 2014**

(51) **LOC (10) Cl.** **10-04**

(52) **U.S. Cl.**
USPC **D10/70**

(58) **Field of Classification Search**
USPC D10/70, 78
CPC B60Q 9/00; B60Q 9/002; B60Q 9/004;
B60Q 9/006; B60Q 9/007; B60Q 9/008;
B60J 5/10; B60J 5/101; B60J 5/102; B60J
5/103; B60J 5/104; B60J 5/105; B60J 5/106;
B60J 5/107; B60J 5/108; B60J 5/12; B60J
5/125; B60J 5/14

See application file for complete search history.

(56) **References Cited**

U.S. PATENT DOCUMENTS

5,557,510	A	9/1996	McIntyre et al.	
D375,695	S *	11/1996	Narai	D10/97
6,137,419	A	10/2000	Lennox et al.	
6,727,806	B1	4/2004	Massie et al.	
D491,479	S *	6/2004	Hsu	D10/70
7,088,045	B1	8/2006	Zich	

7,128,019	B2	10/2006	Hensel	
D557,624	S *	12/2007	Coster et al.	D10/70
7,389,739	B1	6/2008	Smith	
7,400,971	B2	7/2008	Robertson	
8,410,921	B1	4/2013	Lewis	
D715,667	S *	10/2014	Shigeno et al.	D10/98
2011/0128102	A1	6/2011	Pfeiffer et al.	
2013/0321141	A1	12/2013	Ariemma et al.	

* cited by examiner

Primary Examiner — Antoine D Davis

(74) *Attorney, Agent, or Firm* — Calfee, Halter & Griswold LLP

(57) **CLAIM**

I claim the ornamental design for a tailgate sensor, as shown and described.

DESCRIPTION

FIG. 1 is a front perspective view of a tailgate sensor showing the new design in an application environment, with an exemplary truck tailgate shown in a closed position;

FIG. 2 is a front perspective of the tailgate sensor of FIG. 1; FIG. 3 is a rear perspective view of the tailgate sensor of FIG. 1;

FIG. 4 is a right side view of the tailgate sensor of FIG. 1;

FIG. 5 is a left side view of the tailgate sensor of FIG. 1;

FIG. 6 is a top view of the tailgate sensor of FIG. 1;

FIG. 7 is a bottom view of the tailgate sensor of FIG. 1;

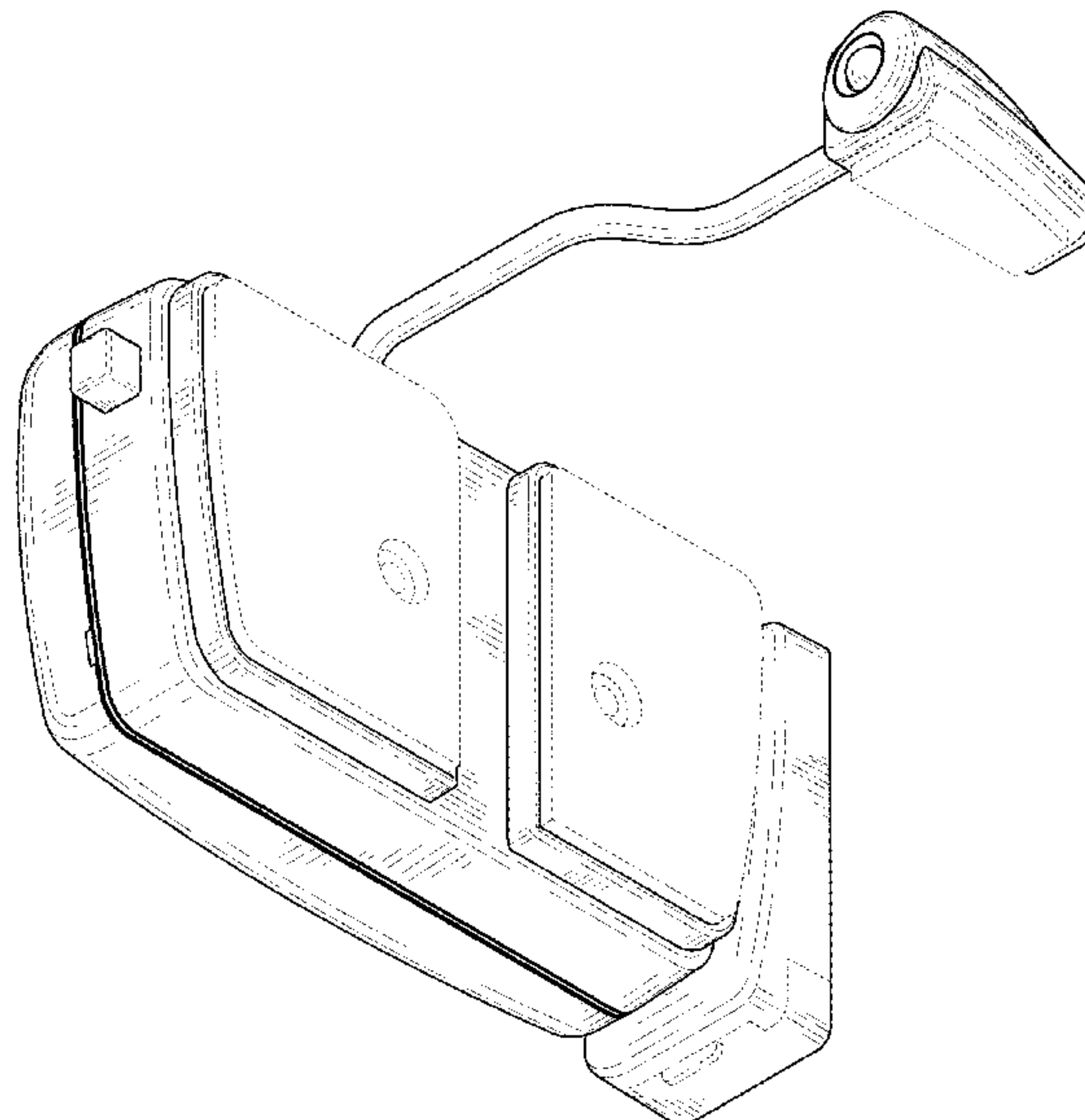
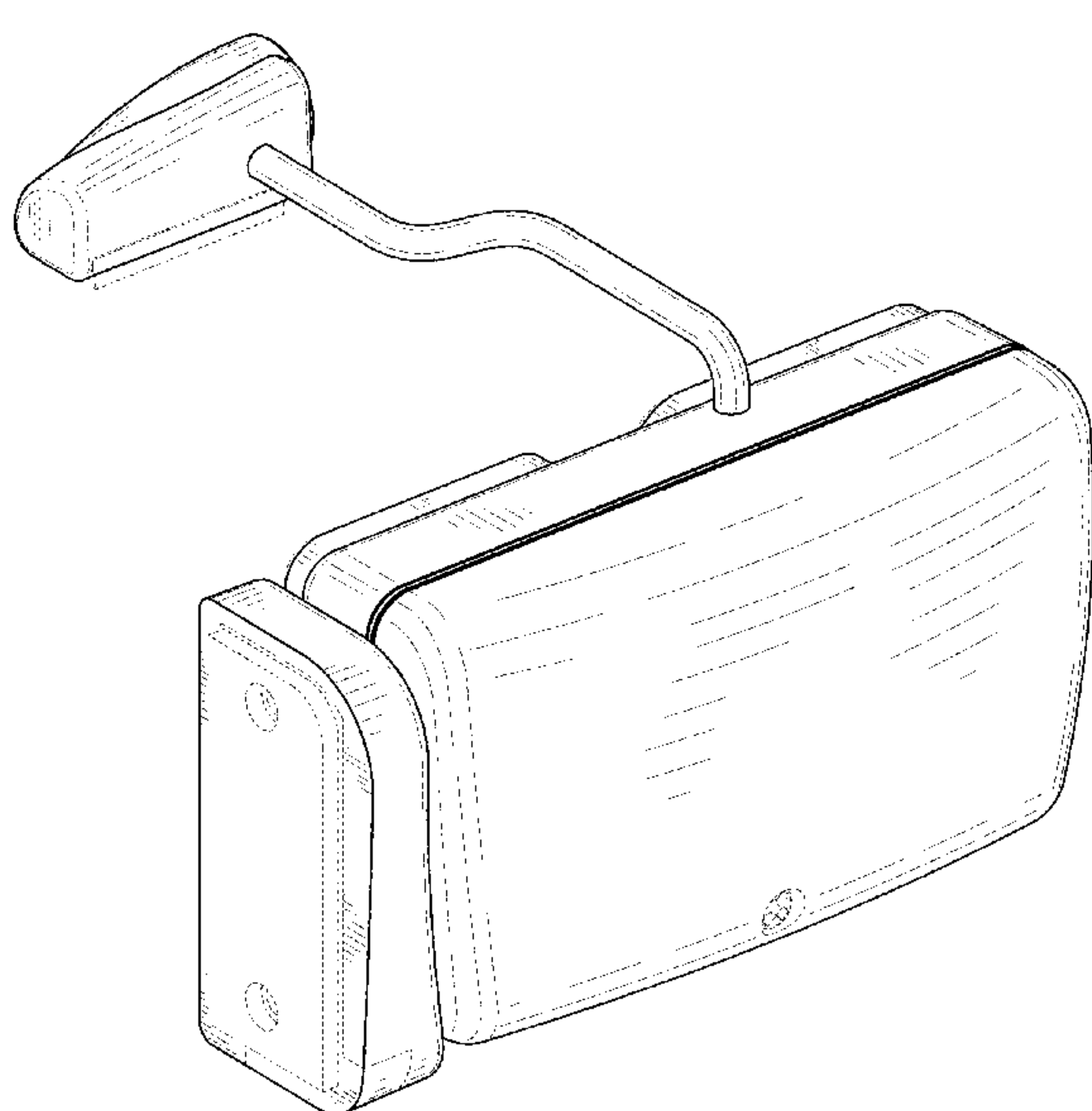
FIG. 8 is a front view of the tailgate sensor of FIG. 1;

FIG. 9 is a rear view of the tailgate sensor of FIG. 1; and,

FIG. 10 is a front perspective view of the tailgate sensor of FIG. 1 in an application environment, with an exemplary truck tailgate shown in an open position.

The portions of the Figures shown in phantom lines are either unclaimed boundary lines or for illustrative purpose only, and no phantom line forms a part of the claimed design.

1 Claim, 7 Drawing Sheets



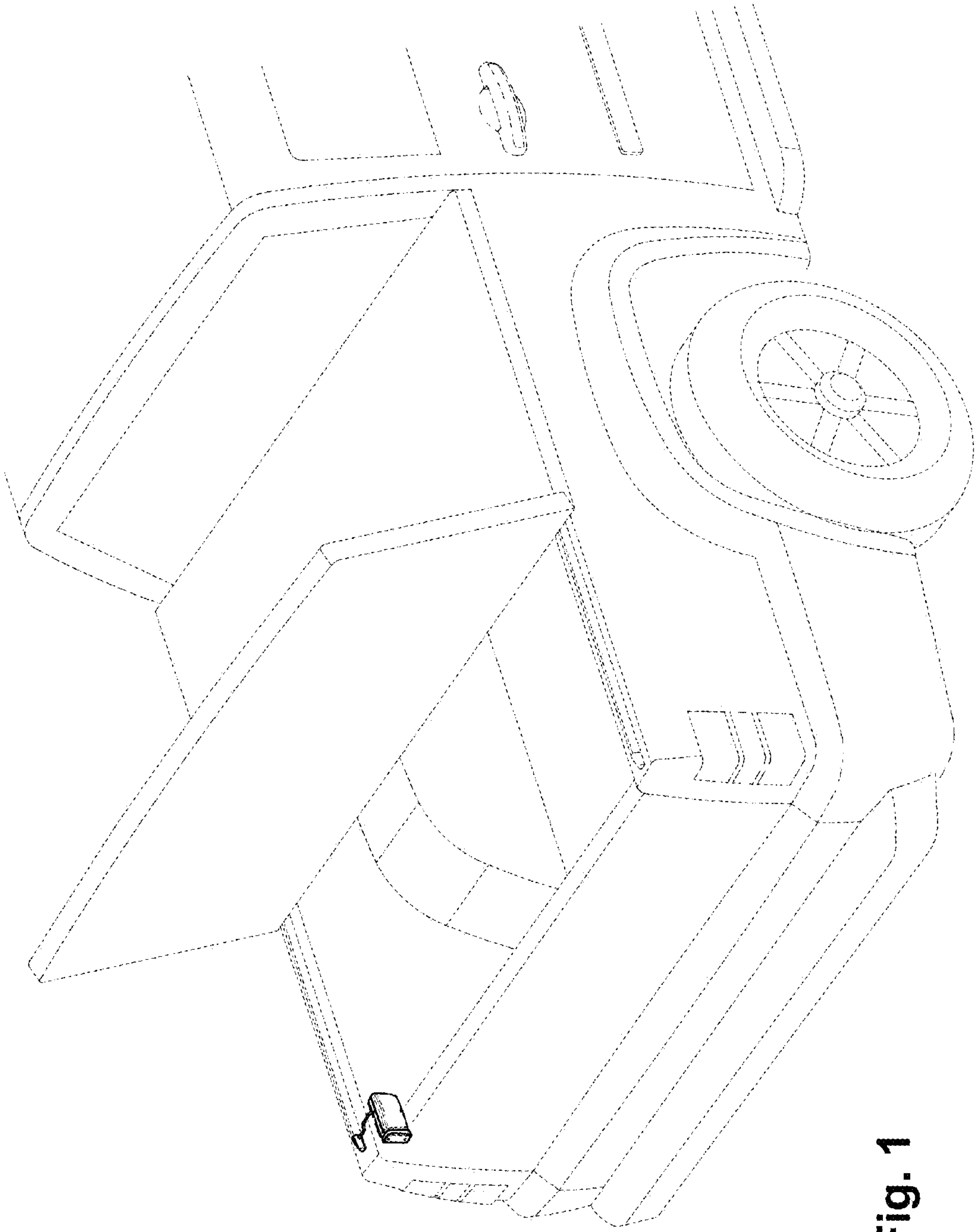


Fig. 1

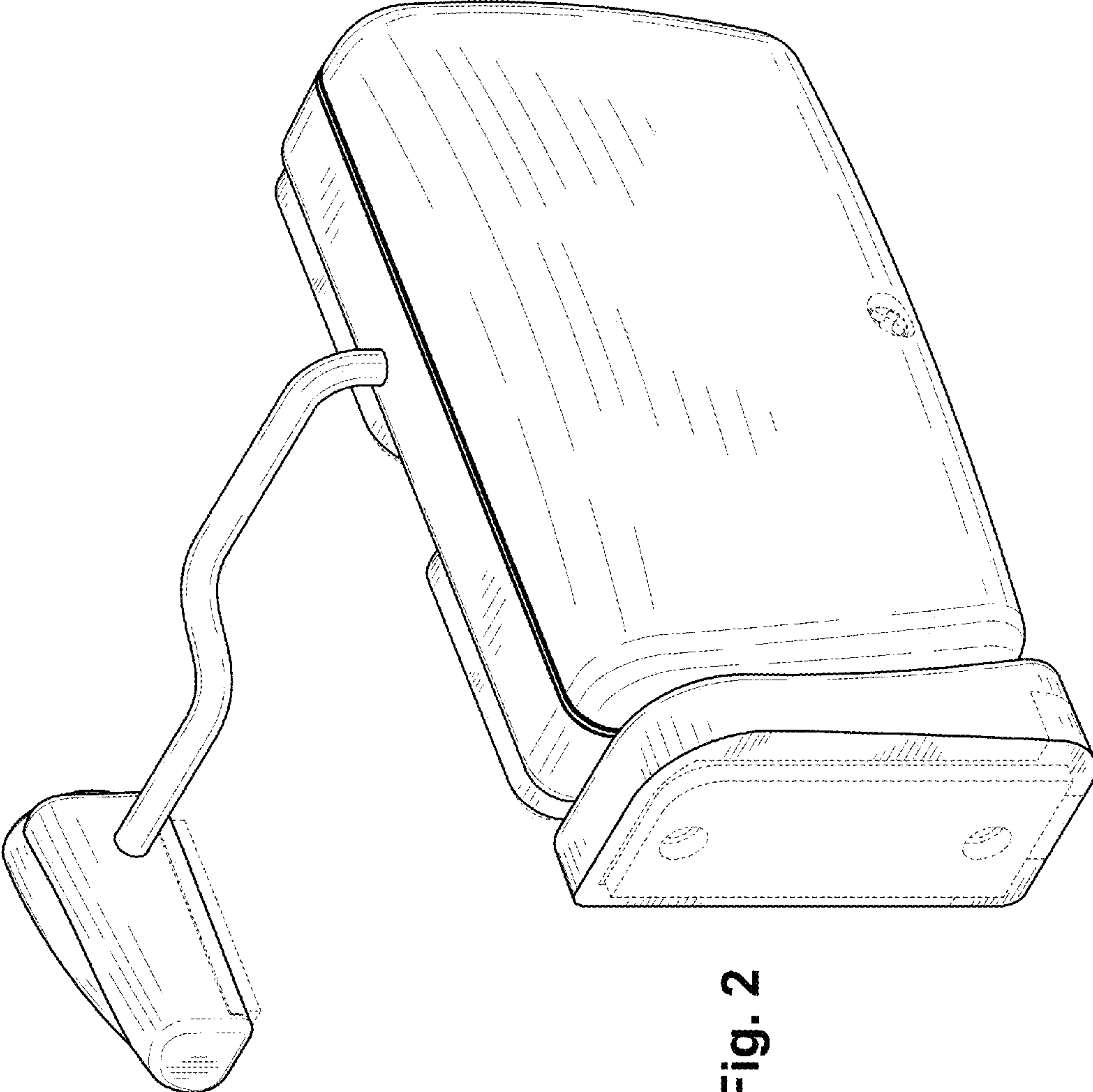


Fig. 2

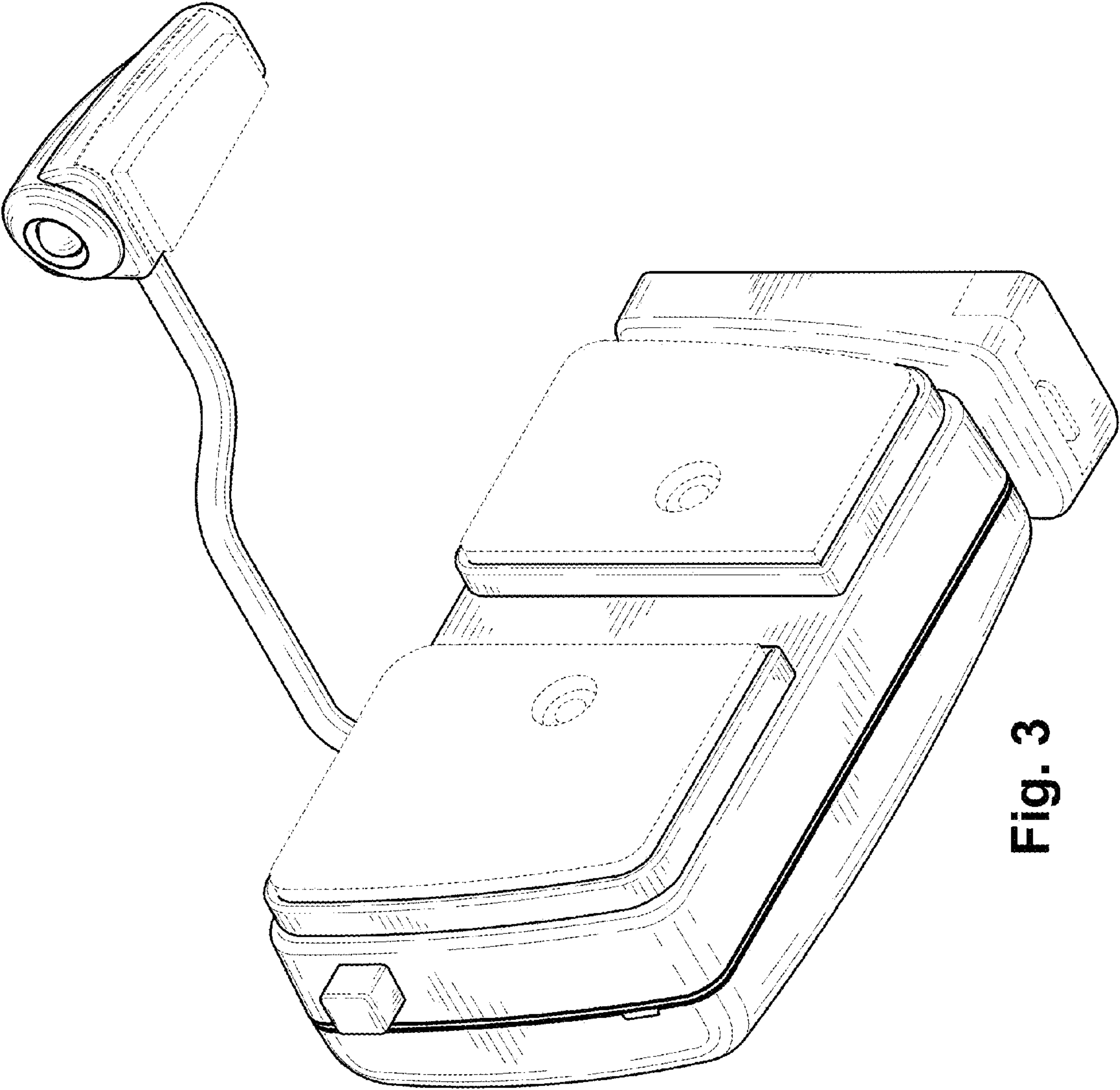


Fig. 3

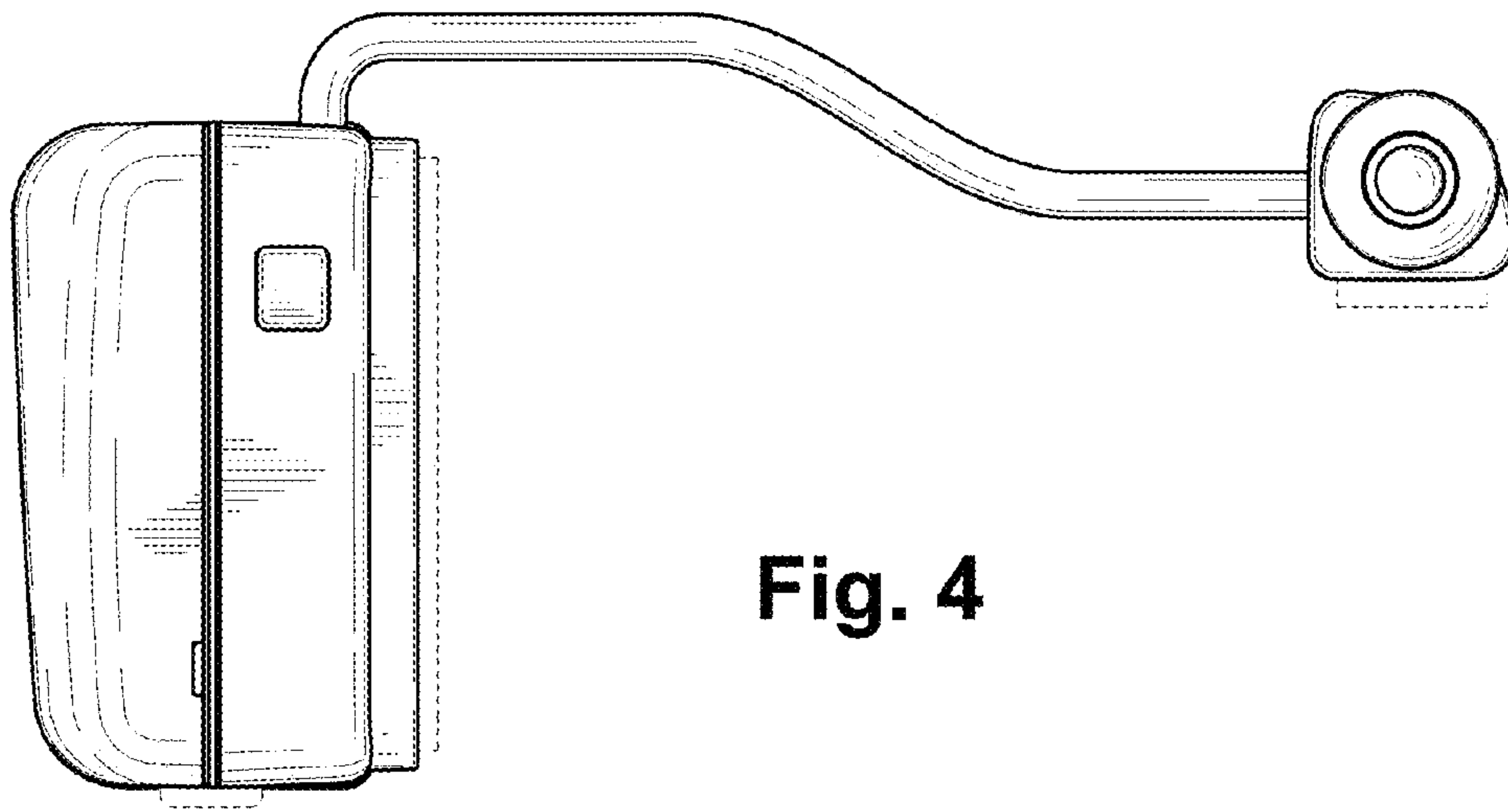


Fig. 4

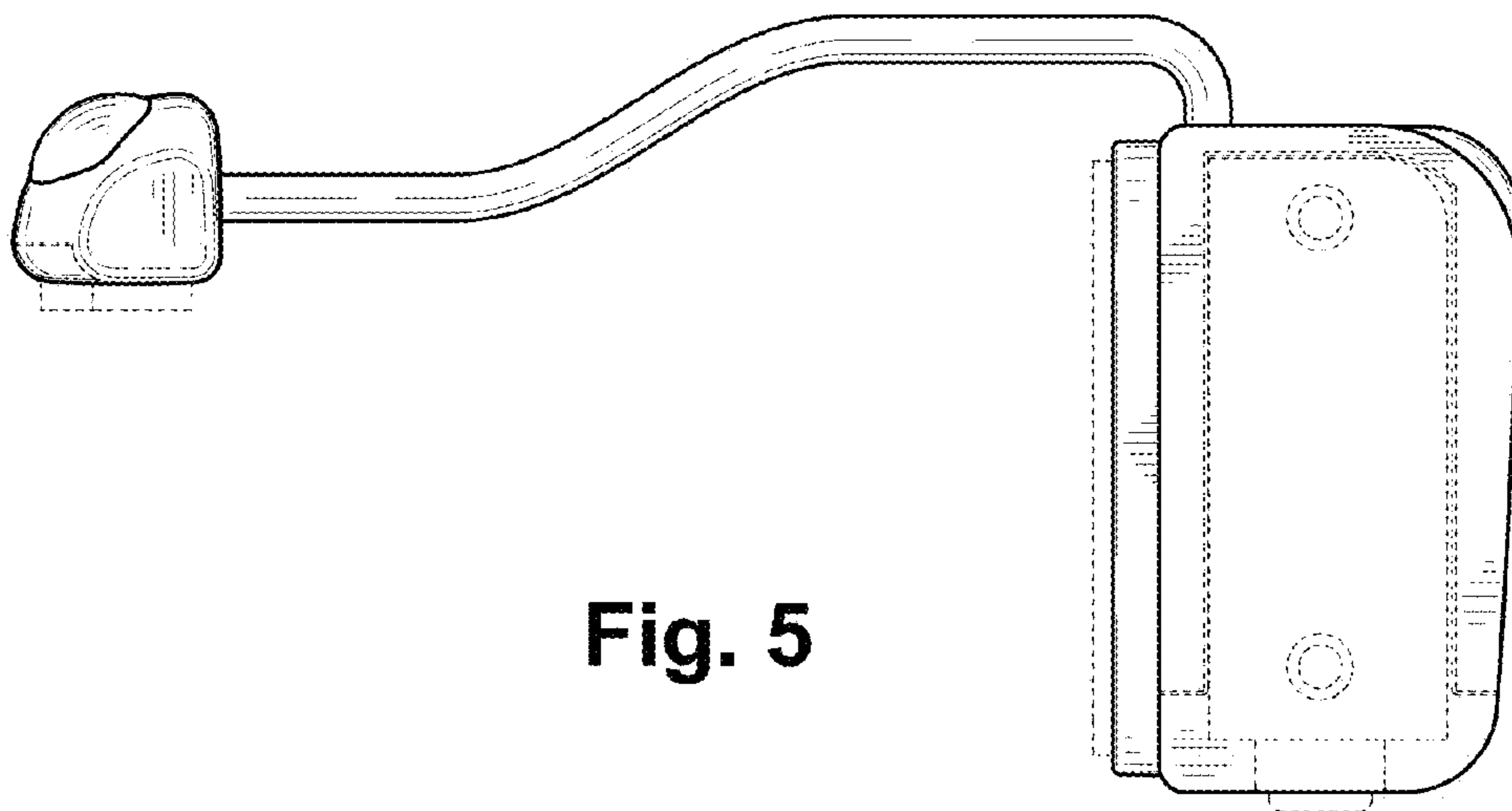


Fig. 5

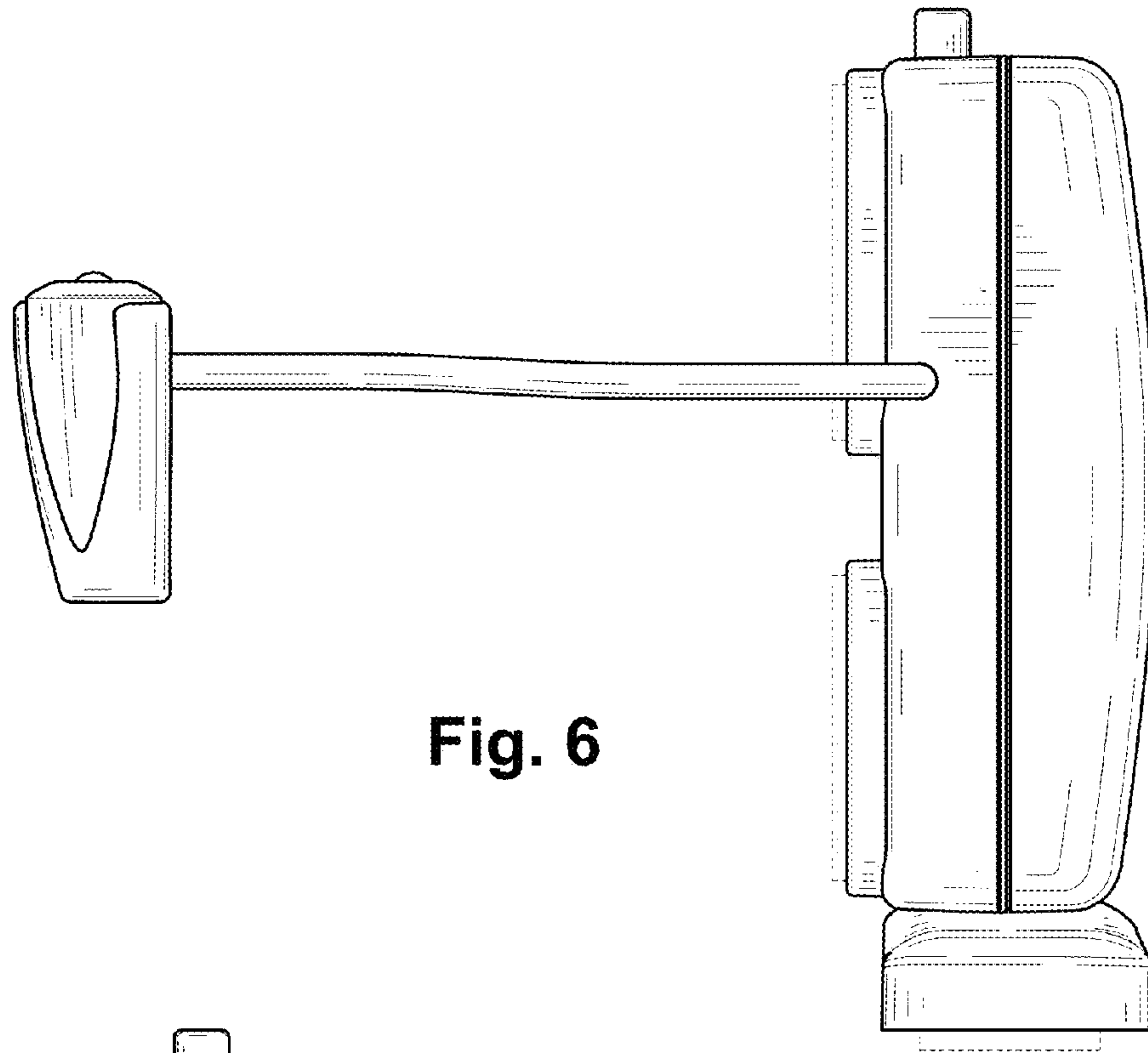


Fig. 6

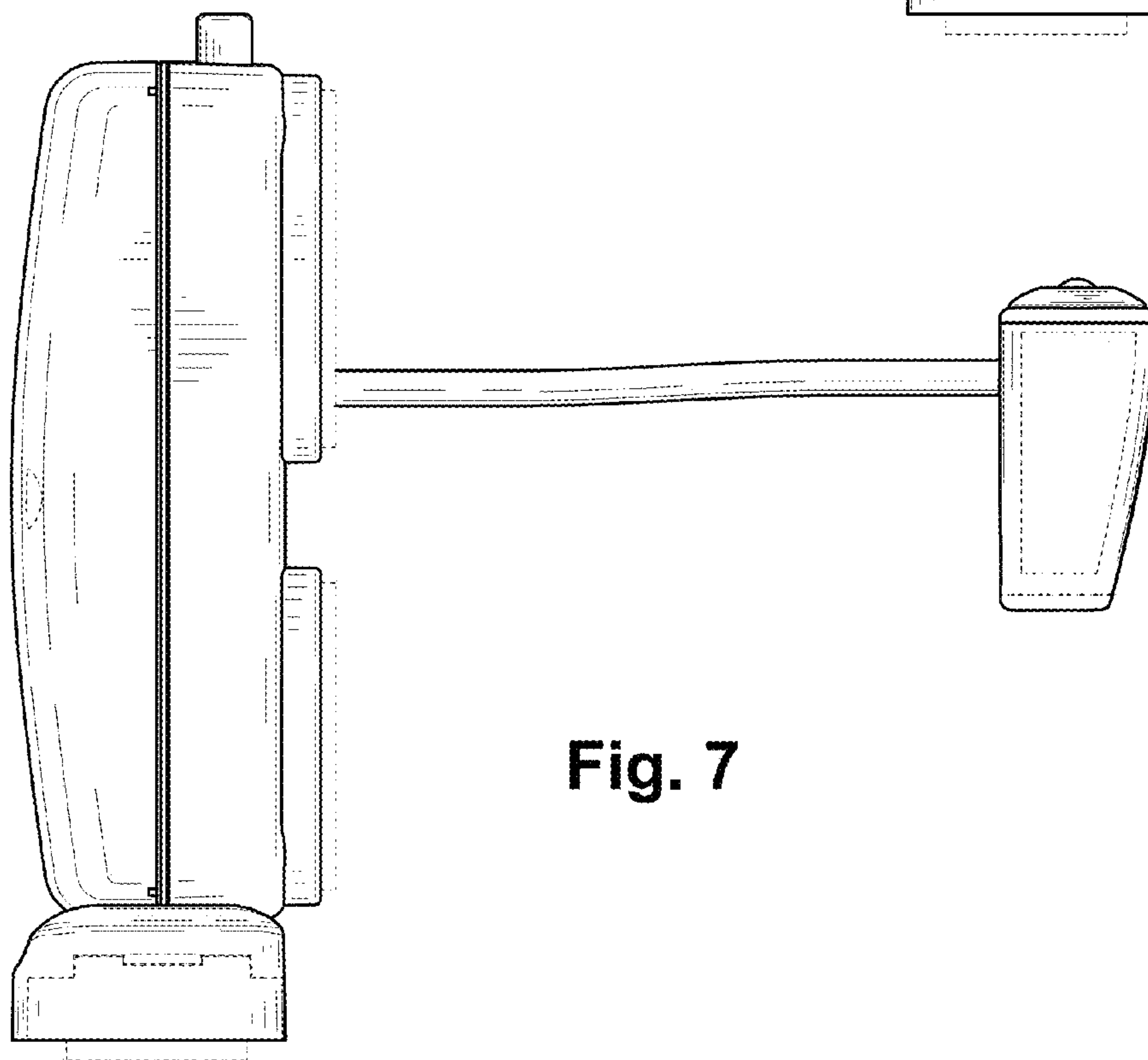


Fig. 7

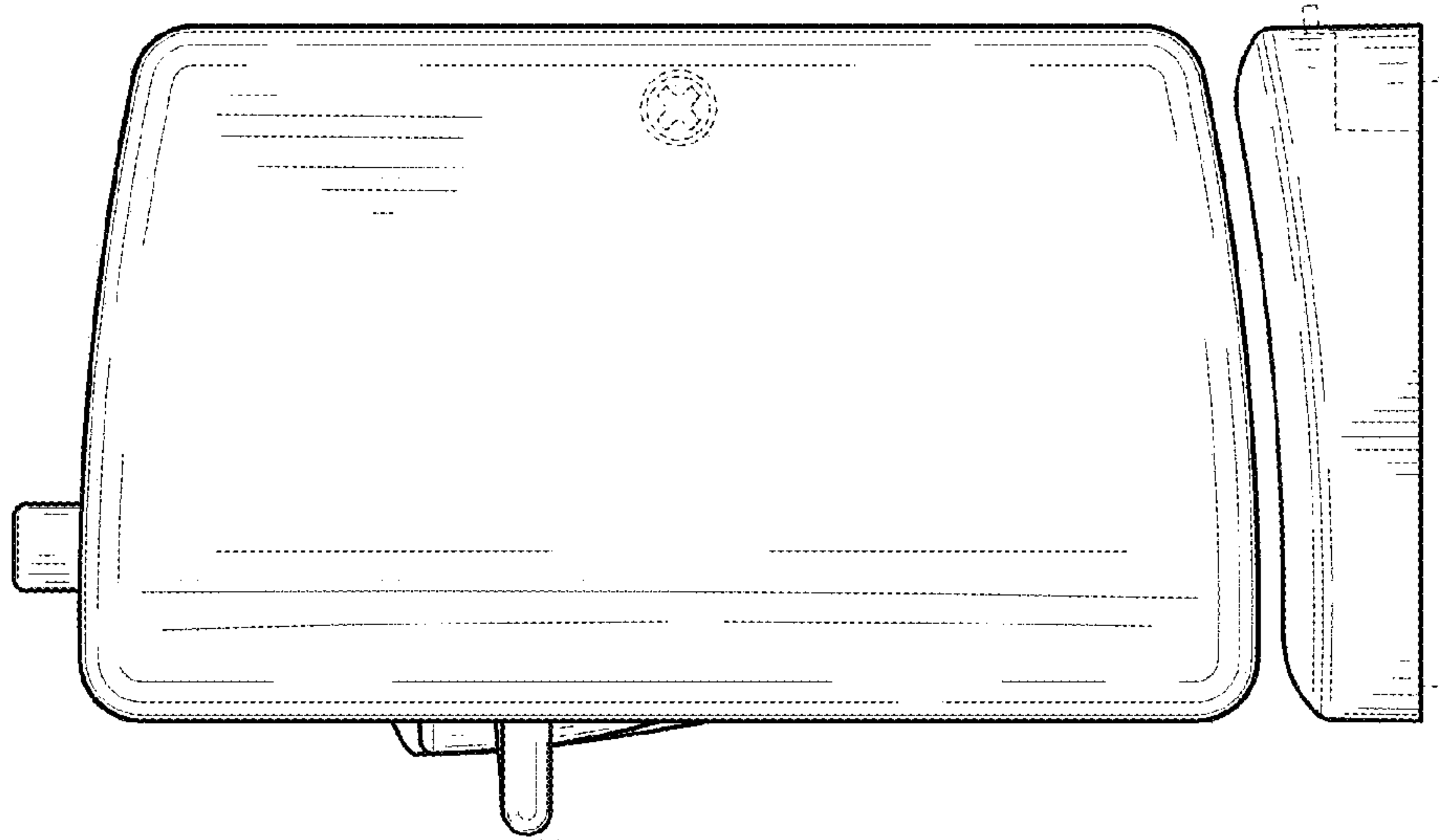


Fig. 8

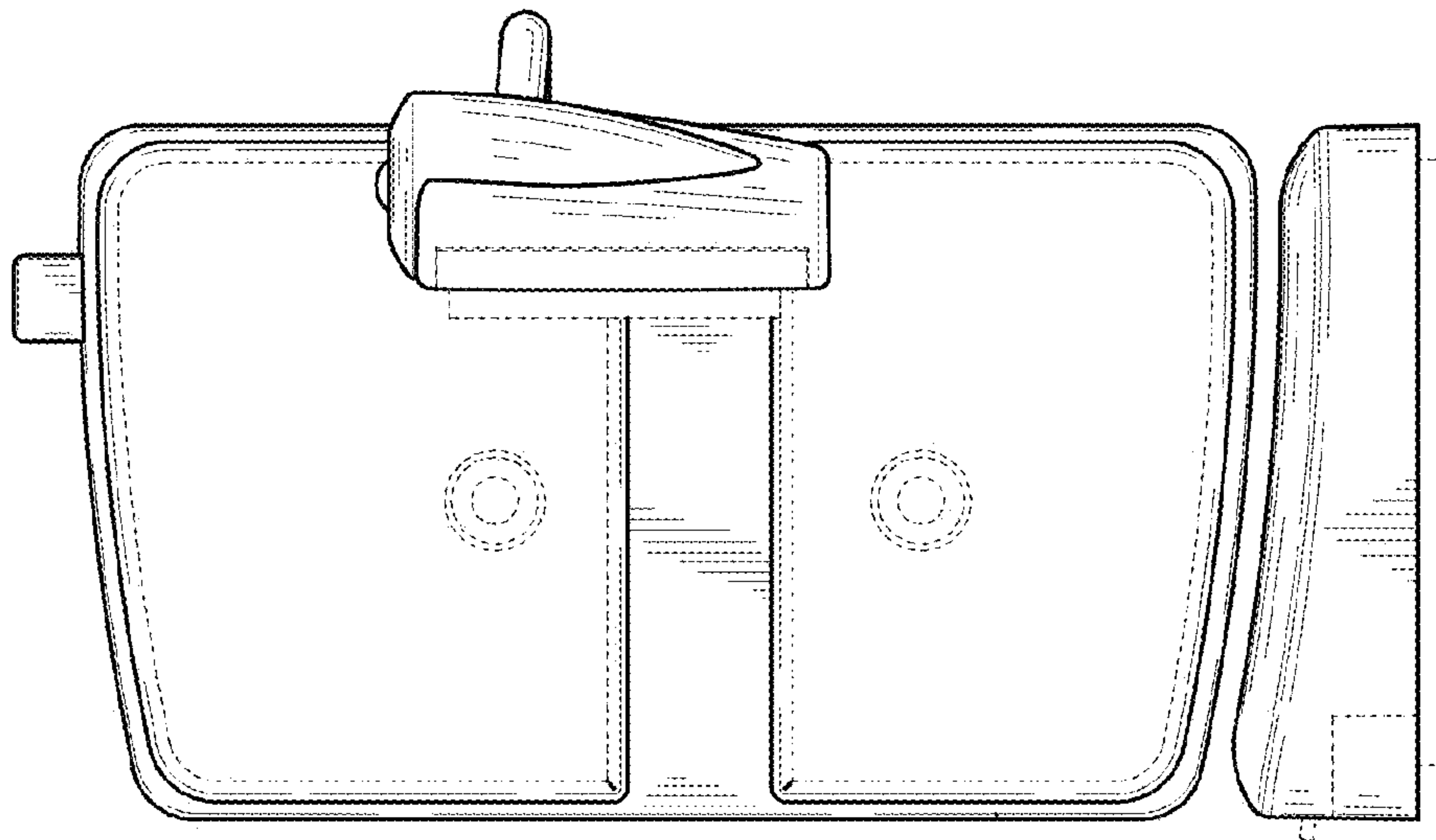


Fig. 9

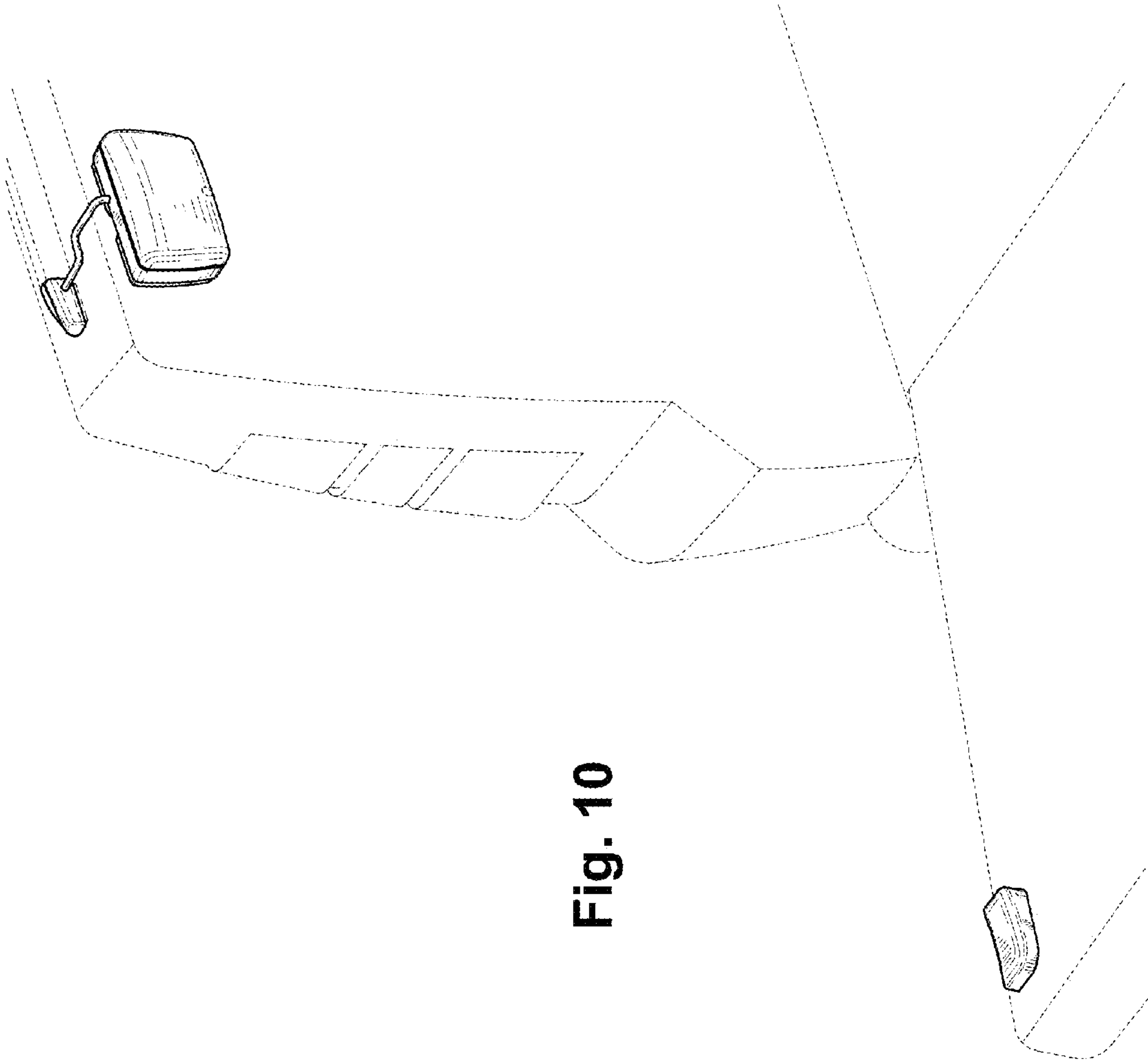


Fig. 10