



US00D749438S

(12) **United States Design Patent**  
**Tsukuda et al.**

(10) **Patent No.:** **US D749,438 S**  
(45) **Date of Patent:** **\*\* Feb. 16, 2016**

(54) **PHOTOELECTRIC SENSOR**

(71) Applicant: **HOKUYO AUTOMATIC CO., LTD.**,  
Osaka (JP)

(72) Inventors: **Shinichi Tsukuda**, Amagasaki (JP);  
**Kazumasa Kato**, Settsu (JP)

(73) Assignee: **HOKUYO AUTOMATIC CO., LTD.**,  
Osaka (JP)

(\*\*) Term: **14 Years**

(21) Appl. No.: **29/503,476**

(22) Filed: **Sep. 26, 2014**

(30) **Foreign Application Priority Data**

Jul. 18, 2014 (JP) ..... 2014-015682

(51) **LOC (10) Cl.** ..... **10-04**

(52) **U.S. Cl.**  
USPC ..... **D10/70; D10/106.6**

(58) **Field of Classification Search**  
USPC ..... D10/70, 106.6  
CPC .... G01B 11/00; G01B 11/002; G01B 11/005;  
G01B 11/007; G01B 11/02; G01B 11/022;  
G01B 11/024; G01B 11/026; G01B 11/028;  
G01B 11/03; G01B 11/04; G01B 11/043;  
G01B 11/046; G01B 11/06; G01B 11/0608;  
G01B 11/0616; G01B 11/062

See application file for complete search history.

(56) **References Cited**

U.S. PATENT DOCUMENTS

D485,774 S \* 1/2004 Hwang et al. .... D10/106.6  
D651,104 S \* 12/2011 Mori et al. .... D10/70  
D737,163 S \* 8/2015 Yamamoto et al. .... D10/106.6

\* cited by examiner

*Primary Examiner* — Antoine D Davis

(74) *Attorney, Agent, or Firm* — Oliff PLC

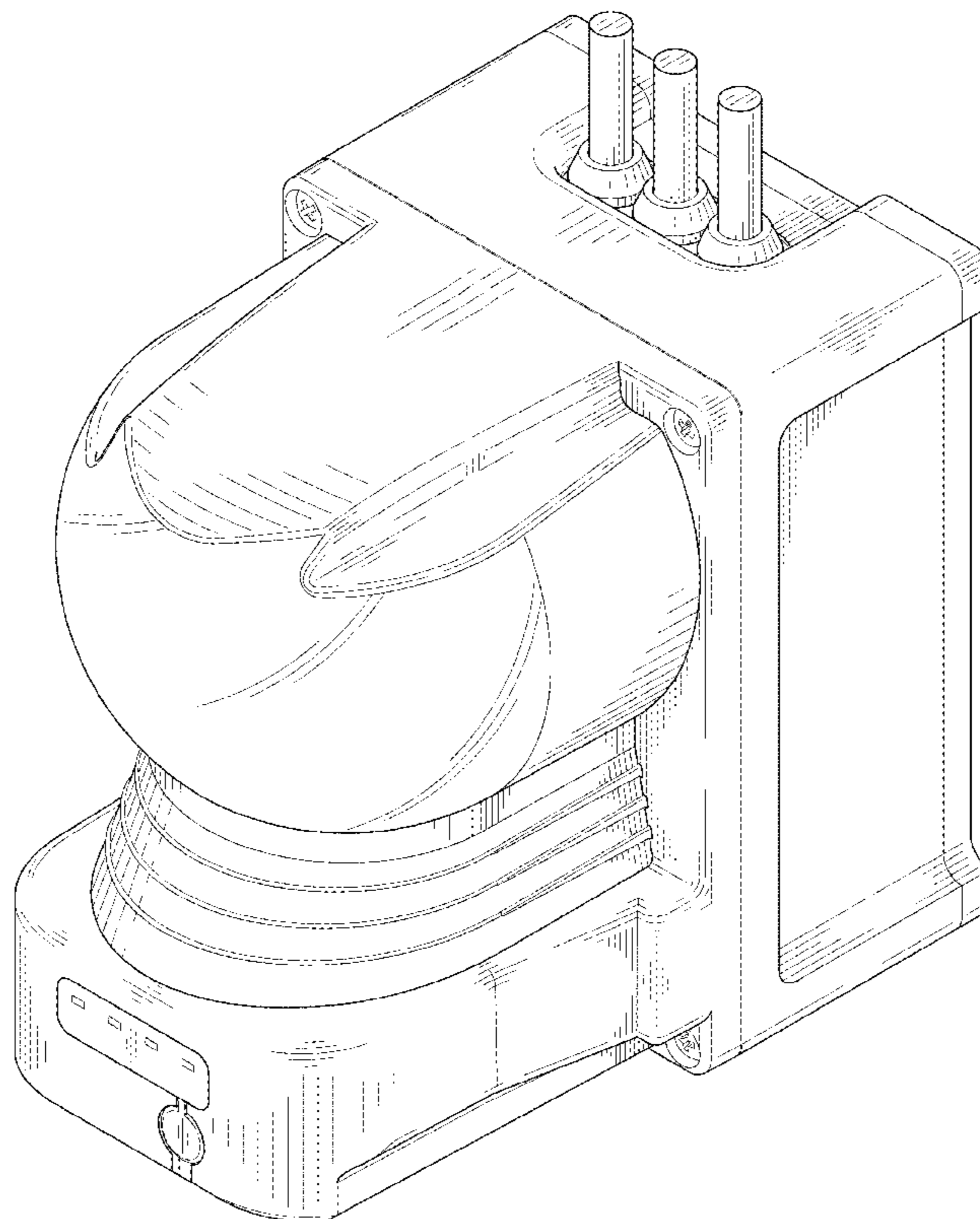
(57) **CLAIM**

The ornamental design for a photoelectric sensor, as shown and described.

**DESCRIPTION**

FIG. 1 is a front elevational view of the photoelectric sensor; FIG. 2 is a rear elevational view thereof; FIG. 3 is a left-side elevational view thereof; FIG. 4 is a right-side elevational view thereof; FIG. 5 is a top plan view thereof; FIG. 6 is a bottom plan view thereof; and, FIG. 7 is a front, right-side, top perspective view thereof. The broken lines depict environmental subject matter only and form no part of the claimed design. The material that would otherwise be visible through the transparent portion is not claimed, and thus not shown.

**1 Claim, 7 Drawing Sheets**



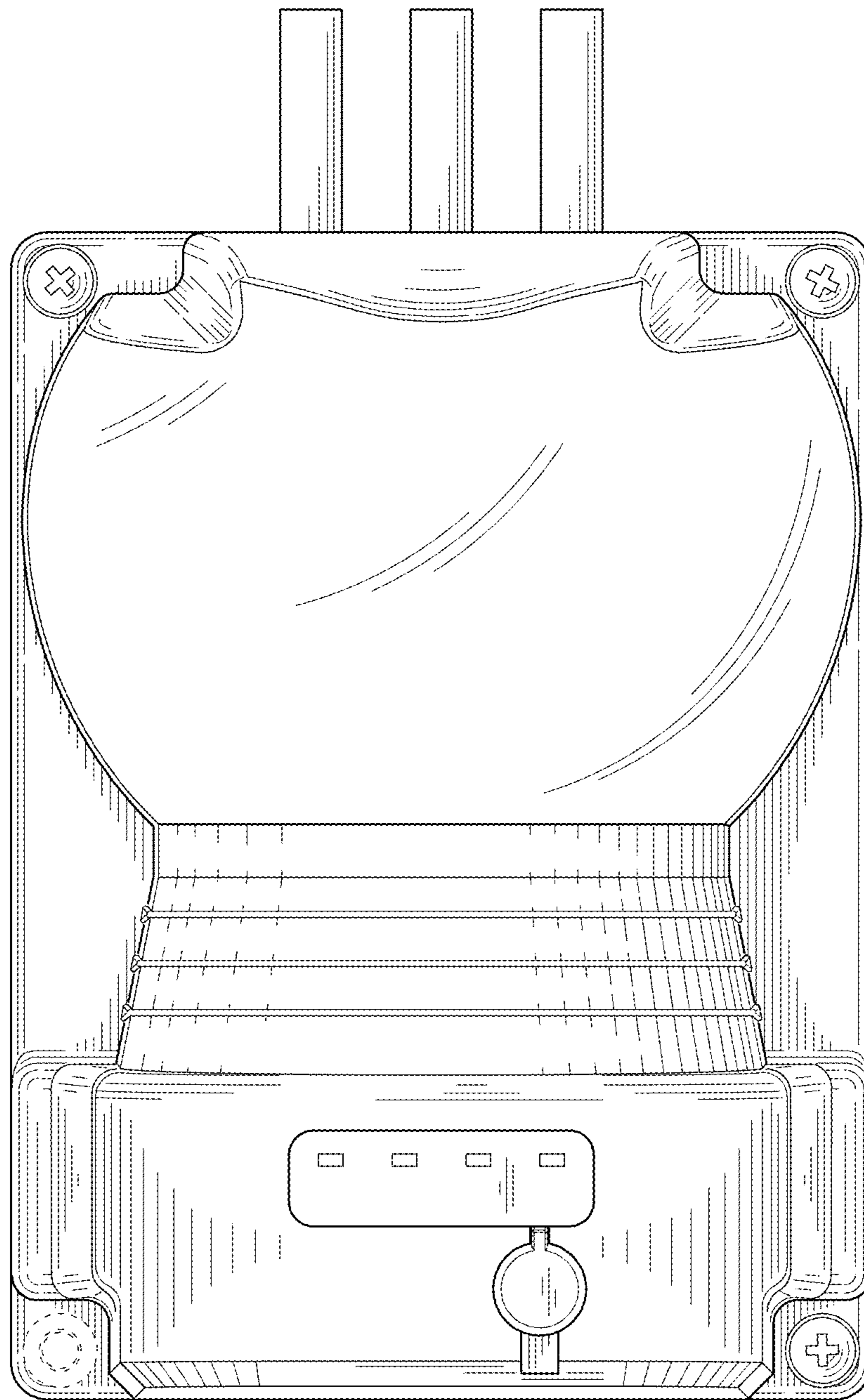


FIG. 1

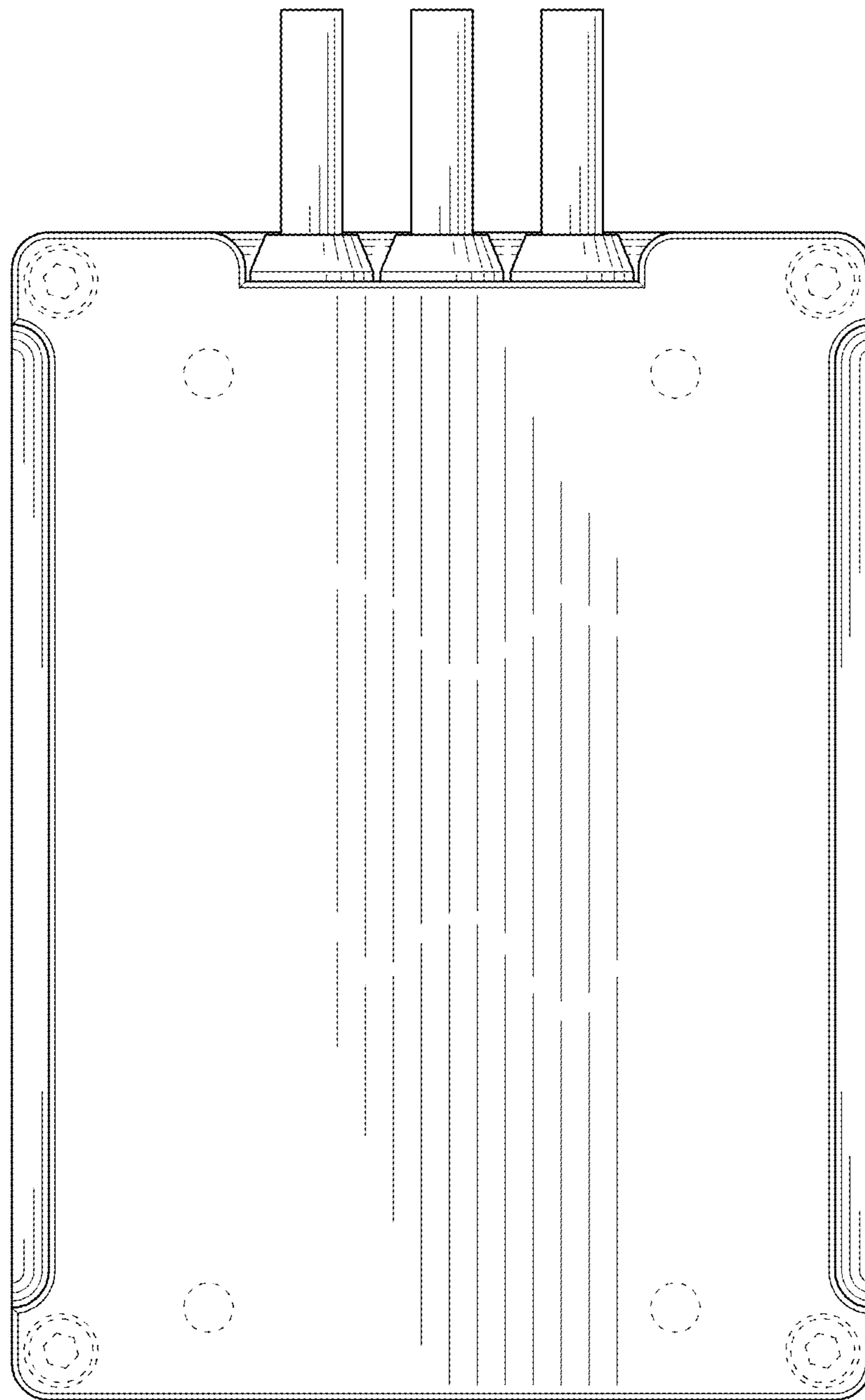


FIG. 2

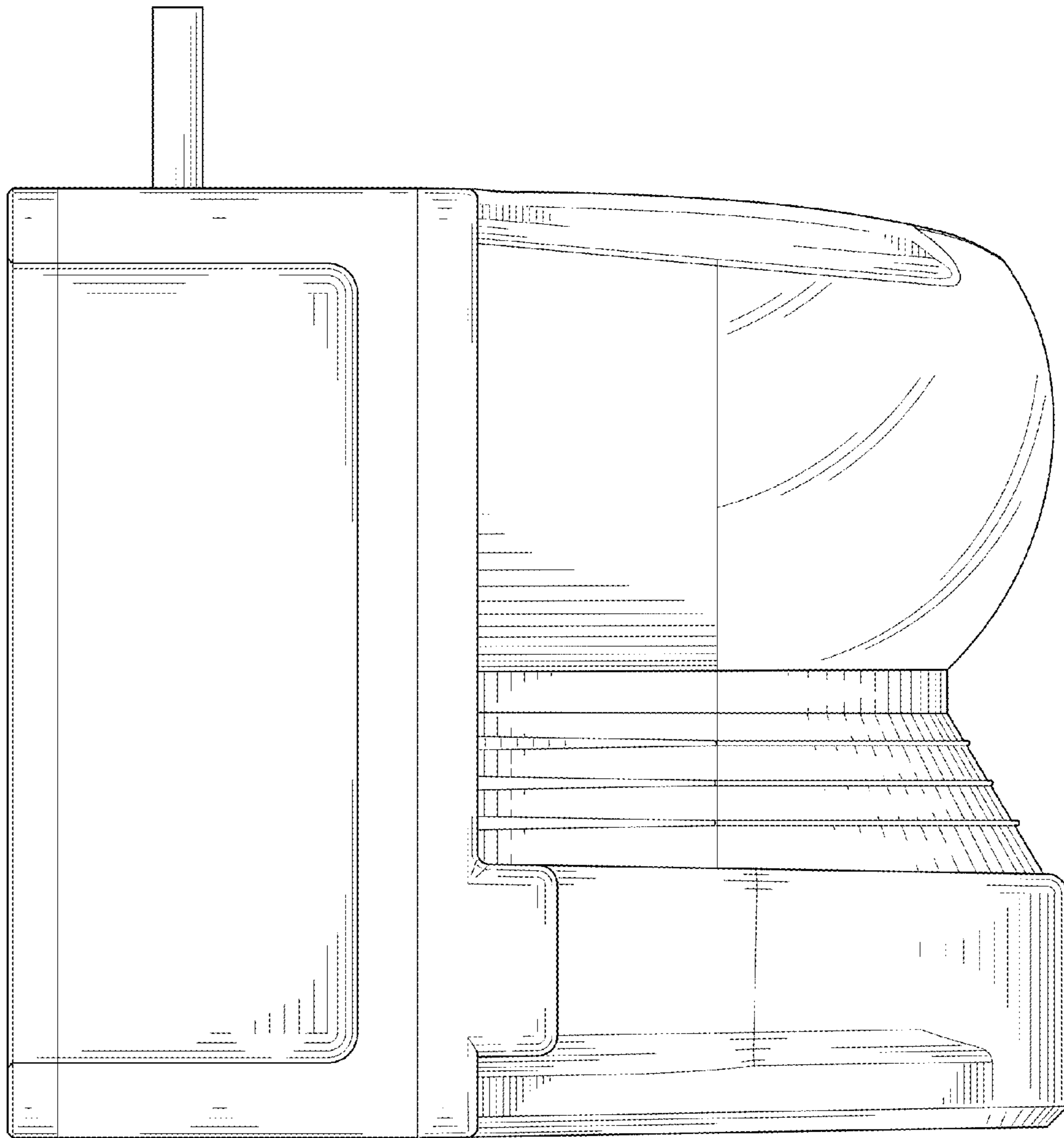


FIG. 3

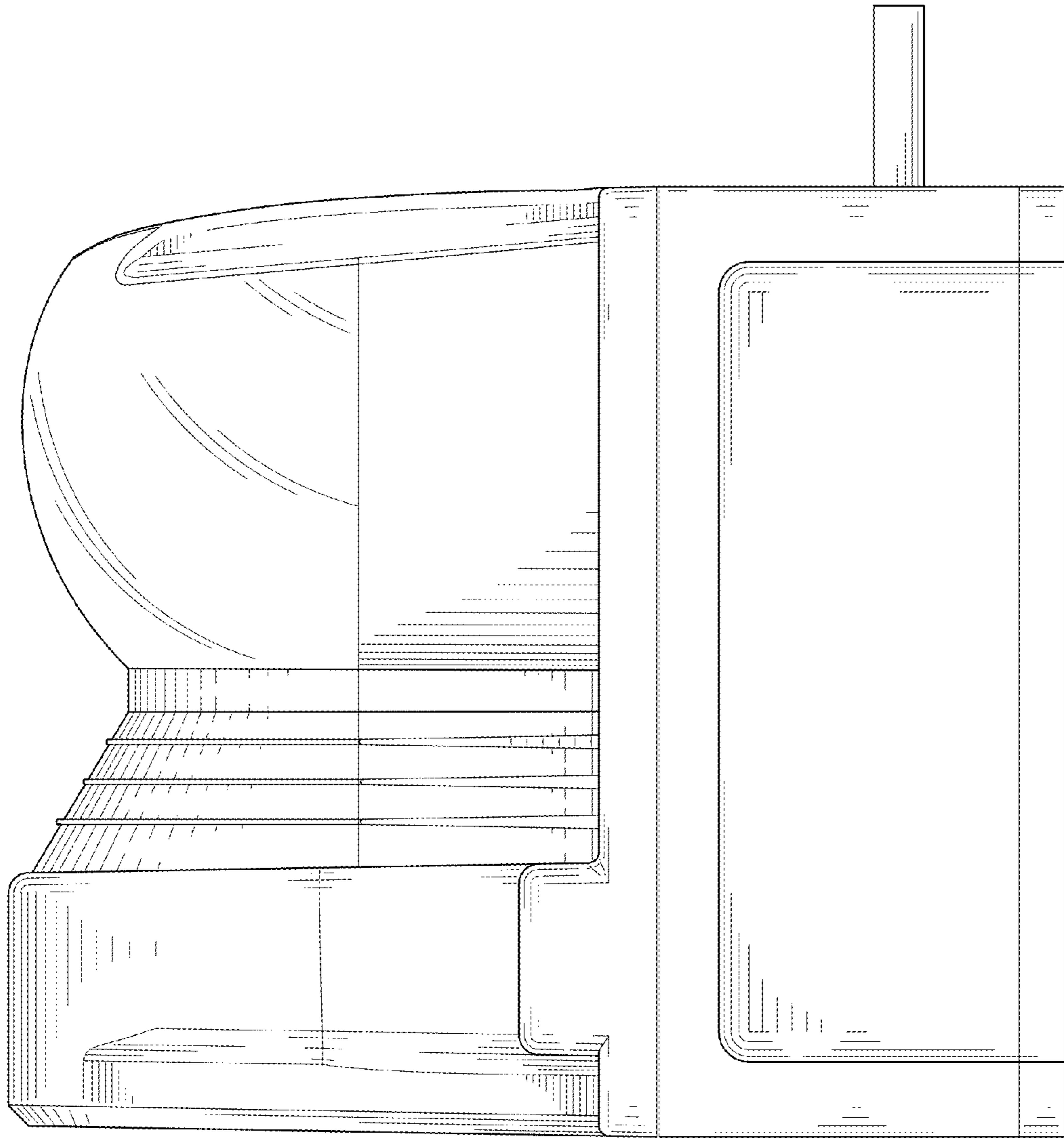


FIG. 4

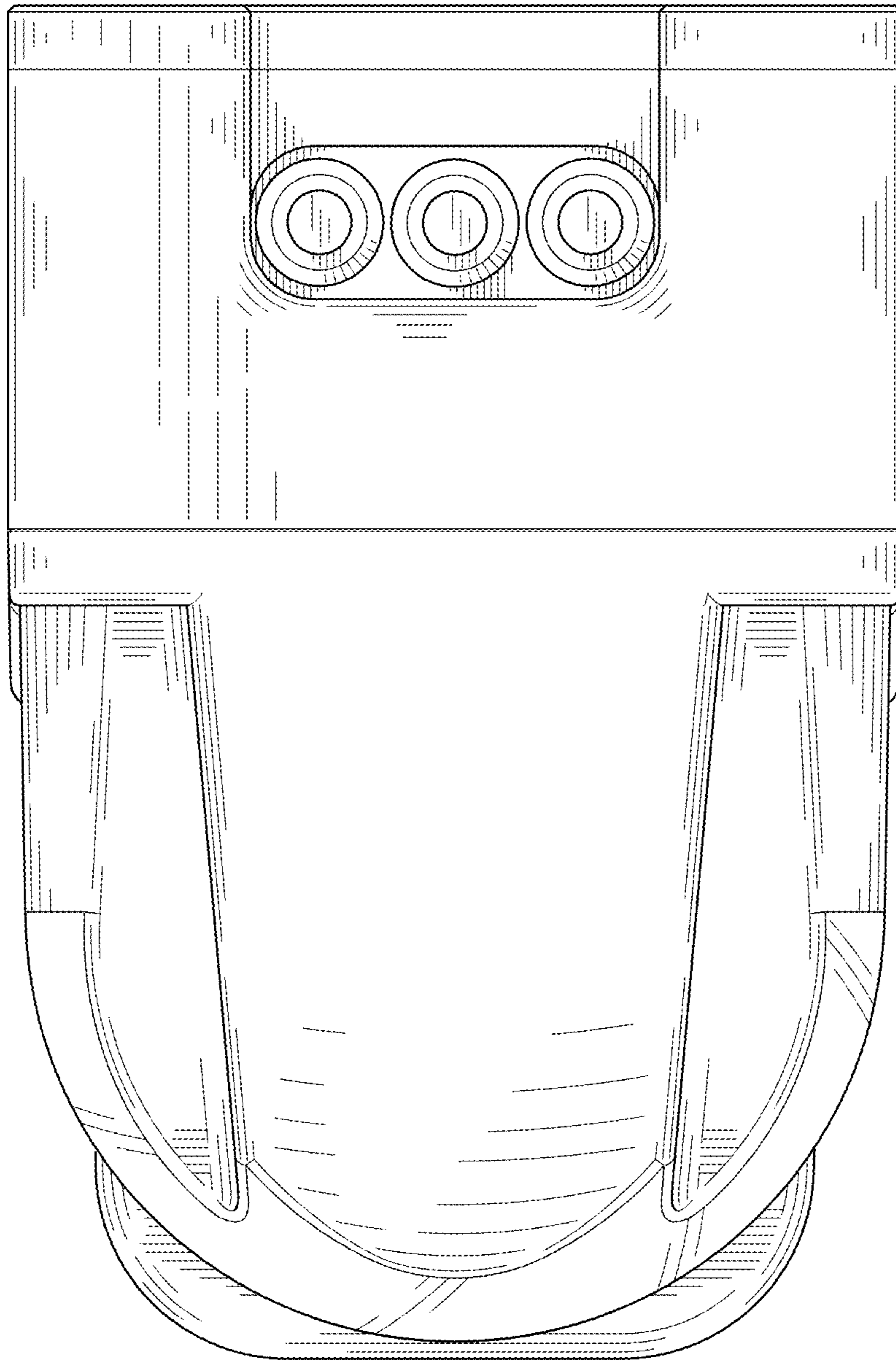


FIG. 5

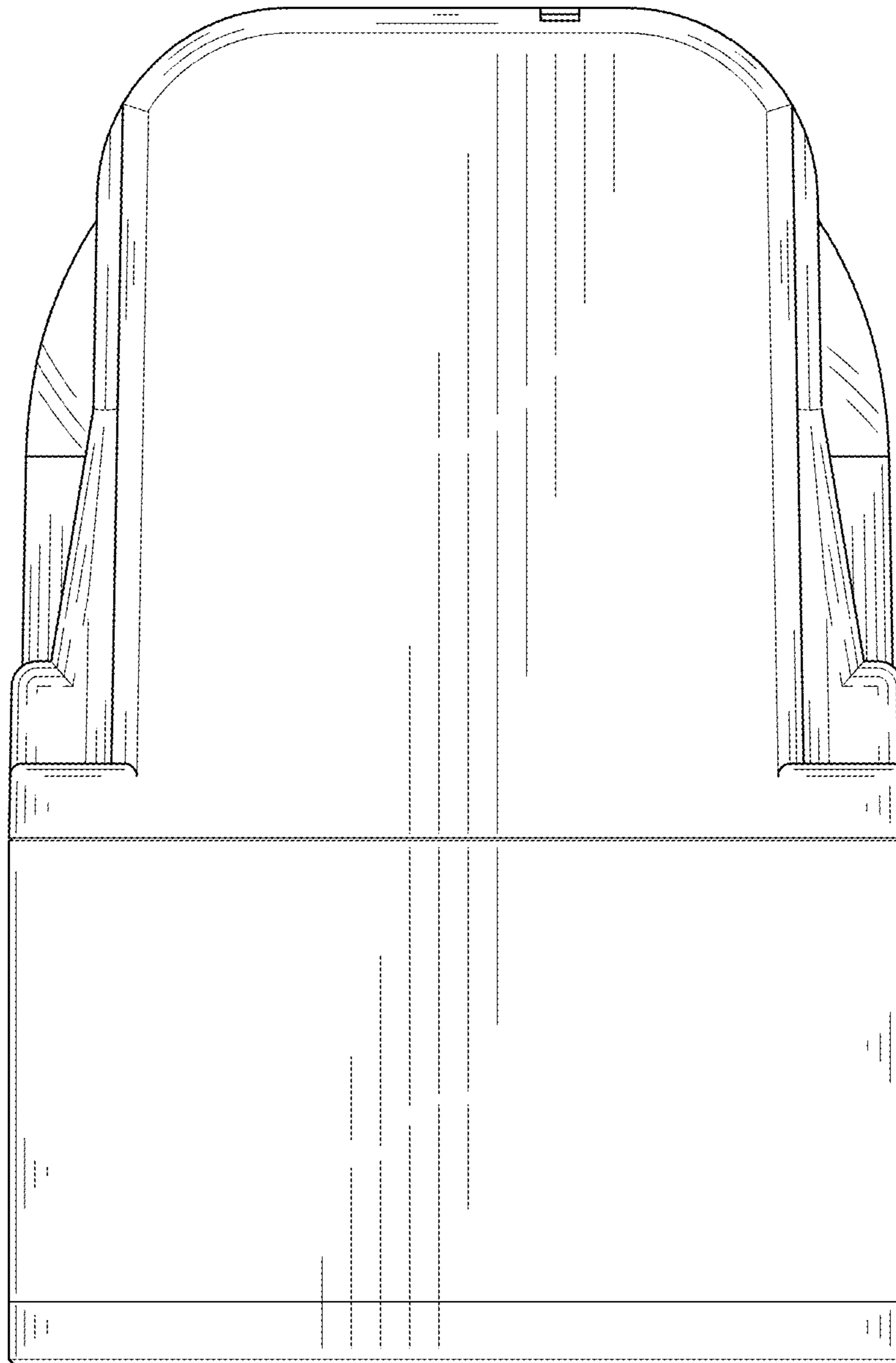


FIG. 6

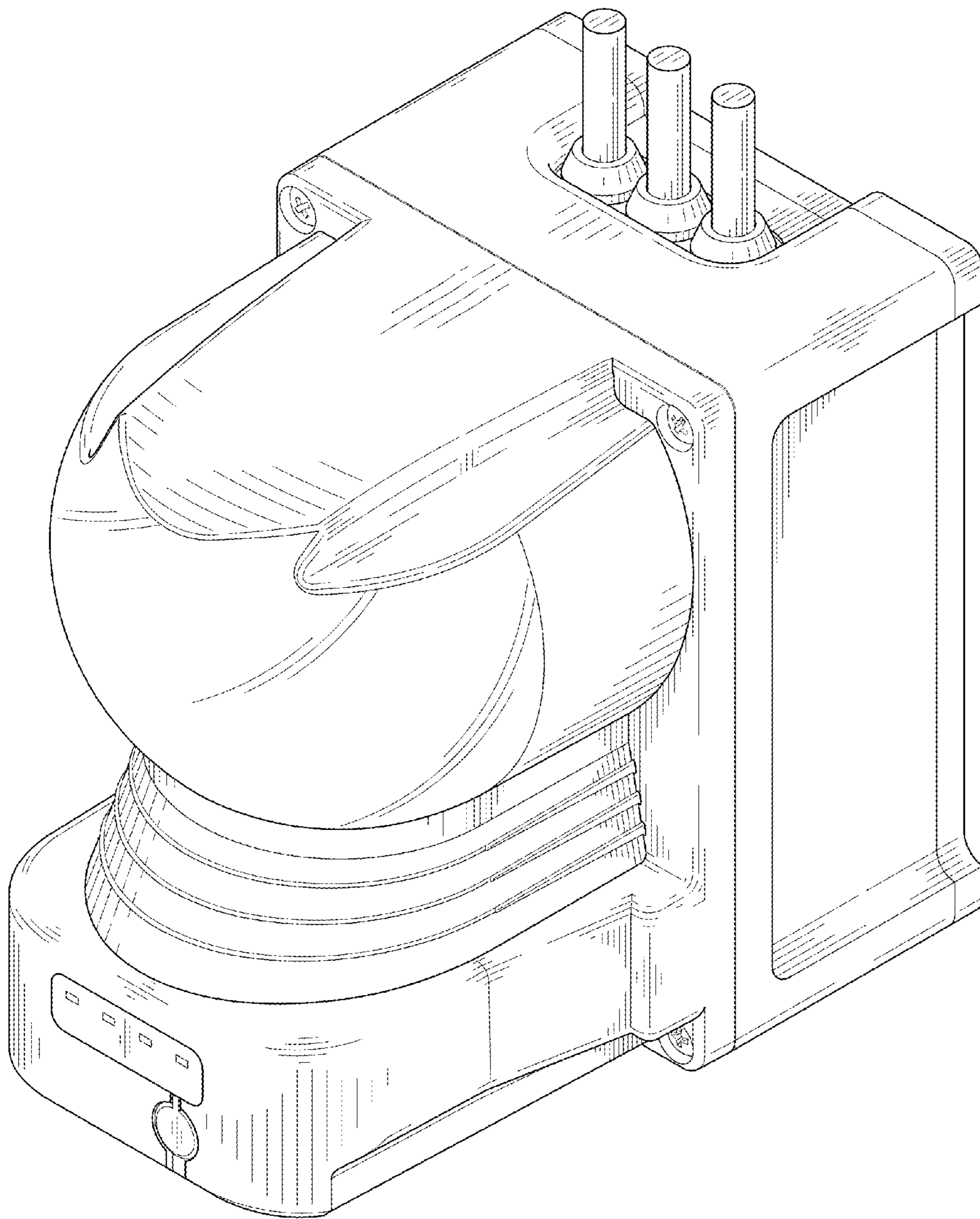


FIG. 7