



US00D749437S

(12) **United States Design Patent**  
**Crees et al.**

(10) **Patent No.:** **US D749,437 S**

(45) **Date of Patent:** **\*\* Feb. 16, 2016**

(54) **DISPLAY**

- (71) Applicant: **FLIR Systems, Inc.**, Wilsonville, OR (US)
- (72) Inventors: **Andrew John Crees**, Hampshire (GB);  
**Andrew James Last**, Suffolk (GB);  
**Richard James Mold**, Somerset (GB);  
**Paul William Muller**, Hampshire (GB);  
**Christopher Robert Page**, Hampshire (GB)
- (73) Assignee: **FLIR Systems, Inc.**, Wilsonville, OR (US)
- (\*\*) Term: **14 Years**
- (21) Appl. No.: **29/513,791**
- (22) Filed: **Jan. 5, 2015**
- (51) **LOC (10) Cl.** ..... **10-04**
- (52) **U.S. Cl.**  
USPC ..... **D10/65**
- (58) **Field of Classification Search**  
USPC ..... D10/65, 70  
CPC .... G01C 21/20; G01C 21/203; G01C 13/008;  
G01S 15/88; G01S 15/89–15/8997; G01S  
15/025; G01S 7/56–7/629  
See application file for complete search history.

(56) **References Cited**

U.S. PATENT DOCUMENTS

D422,924	S	*	4/2000	Bendinelli	.....	D10/65
D625,629	S	*	10/2010	McAlpine et al.	.....	D10/65
8,296,001	B1	*	10/2012	Kabel et al.	.....	701/21
D702,138	S	*	4/2014	Emge et al.	.....	D10/65
2014/0015259	A1	*	1/2014	Harrigan	.....	292/156
2015/0039222	A1	*	2/2015	Kabel et al.	.....	701/454

\* cited by examiner

*Primary Examiner* — Antoine D Davis

(74) *Attorney, Agent, or Firm* — Haynes and Boone, LLP

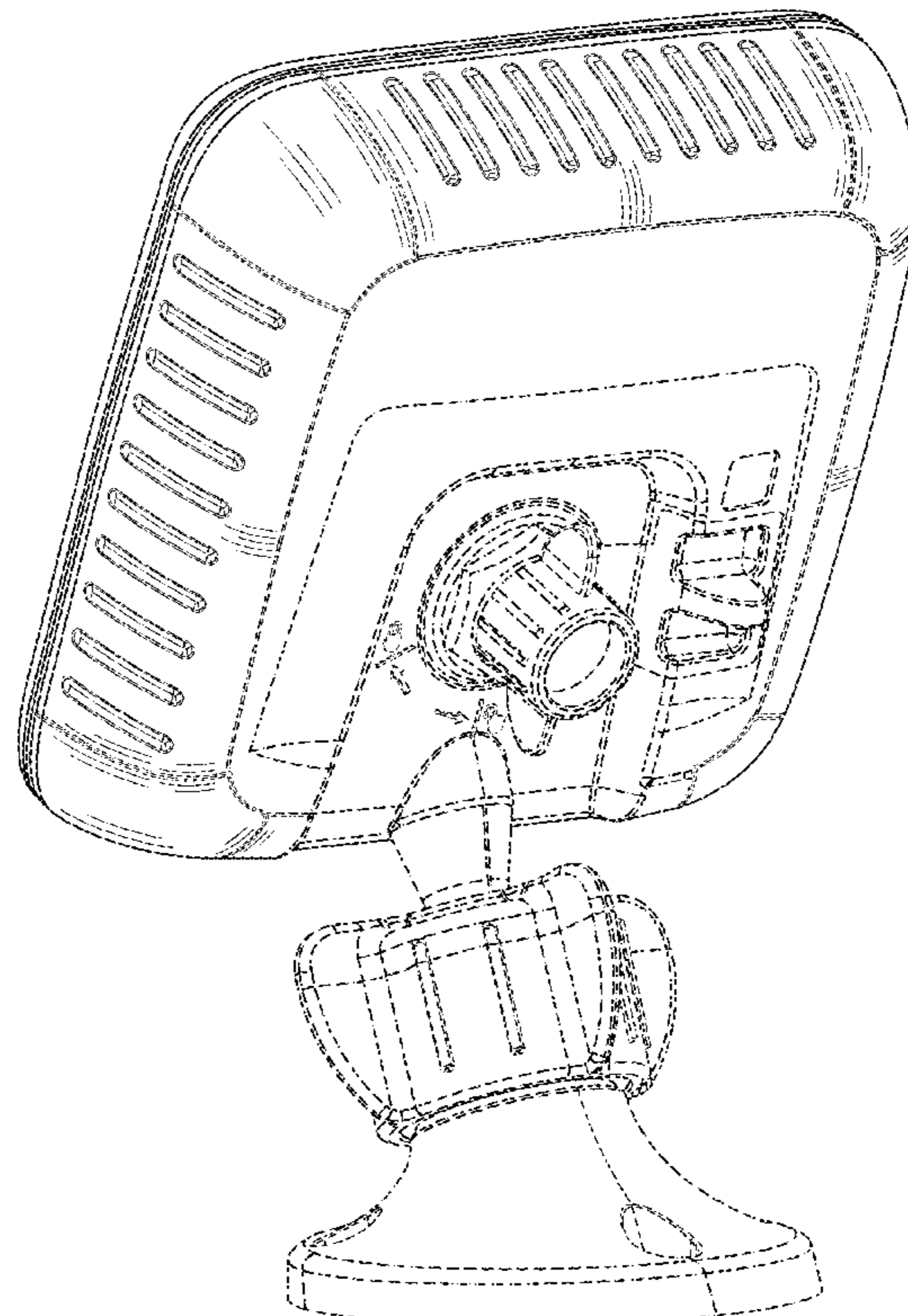
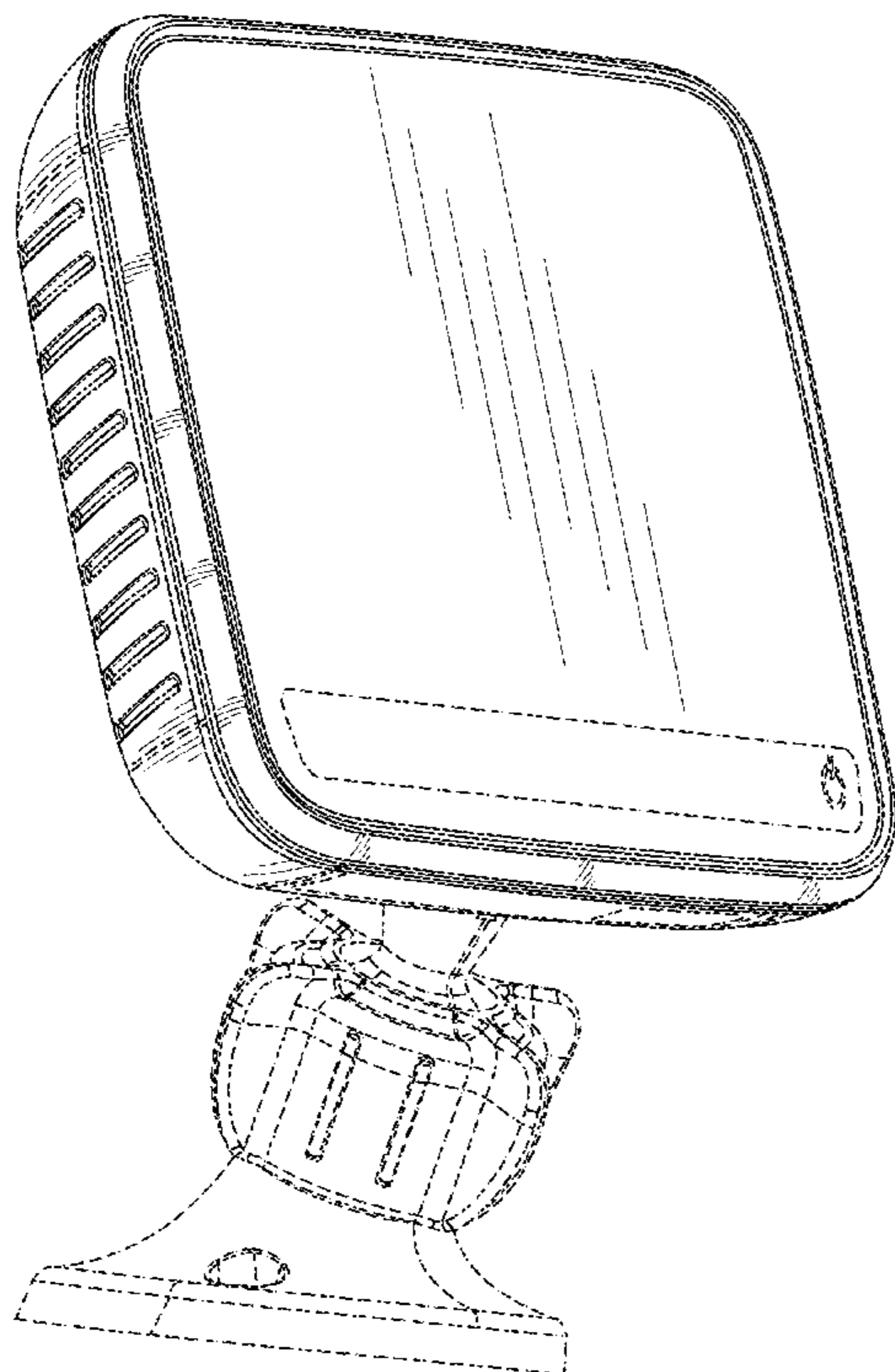
(57) **CLAIM**

The ornamental design for a display, as shown and described.

**DESCRIPTION**

FIG. 1 is a front-right-bottom perspective view of a display embodying the new design;  
 FIG. 2 is a front-left-bottom perspective view thereof;  
 FIG. 3 is a front elevational view thereof; and,  
 FIG. 4 is a rear-left-top perspective view thereof.  
 The broken lines in the figures are shown for the purpose of illustrating portions of the display and/or environmental matter and form no part of the claimed design.

**1 Claim, 4 Drawing Sheets**



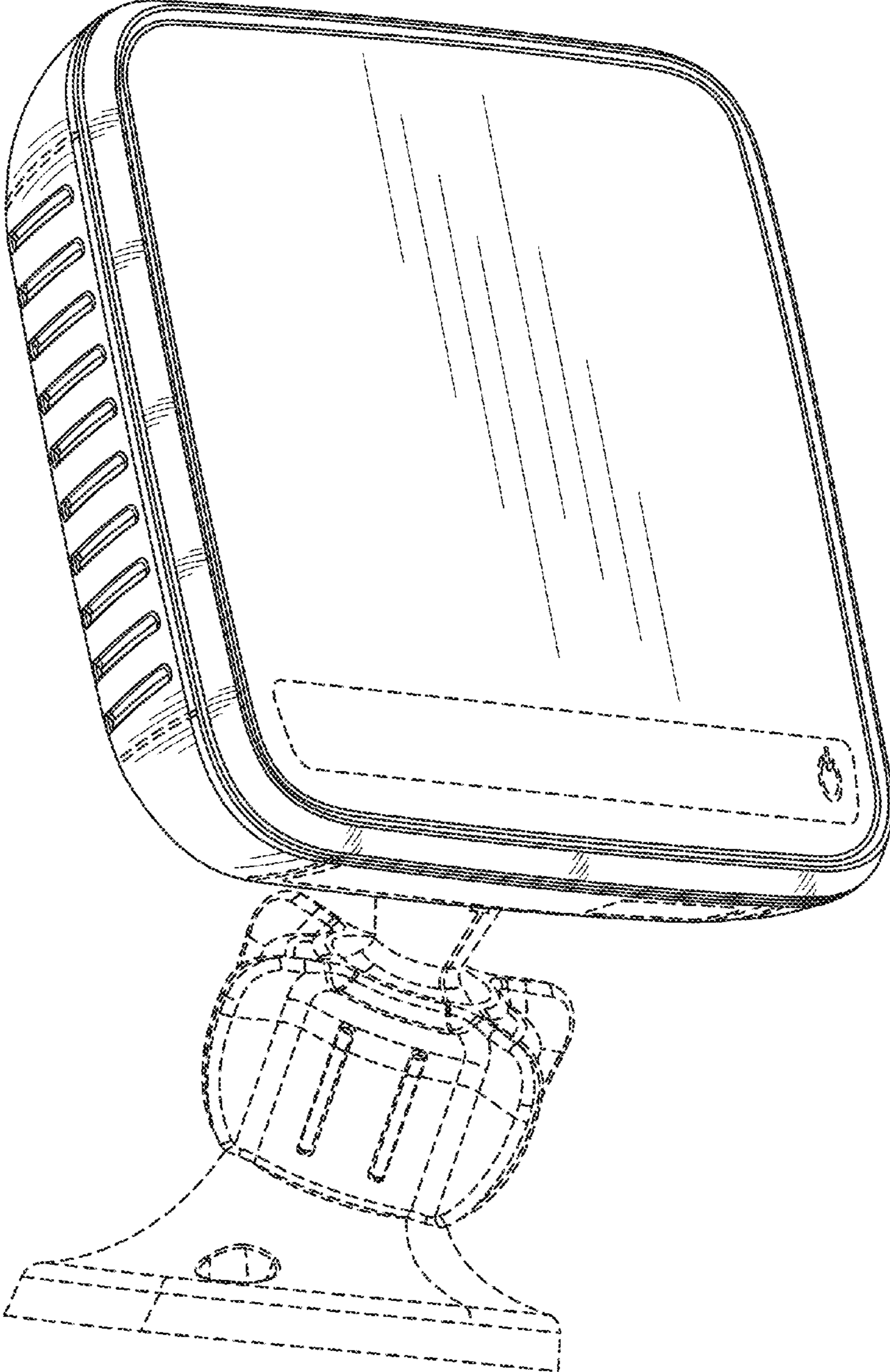


FIG. 1



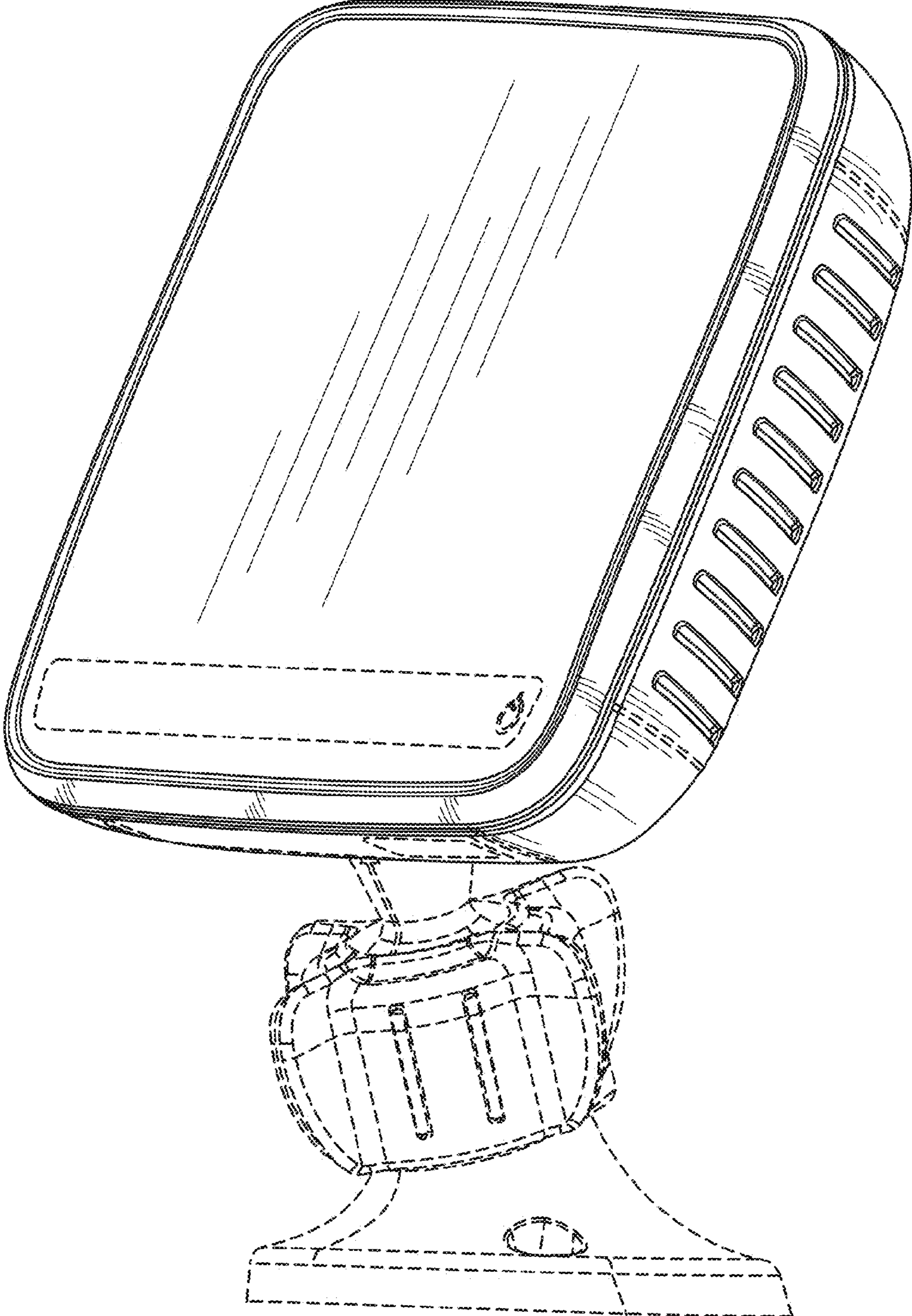


FIG. 2

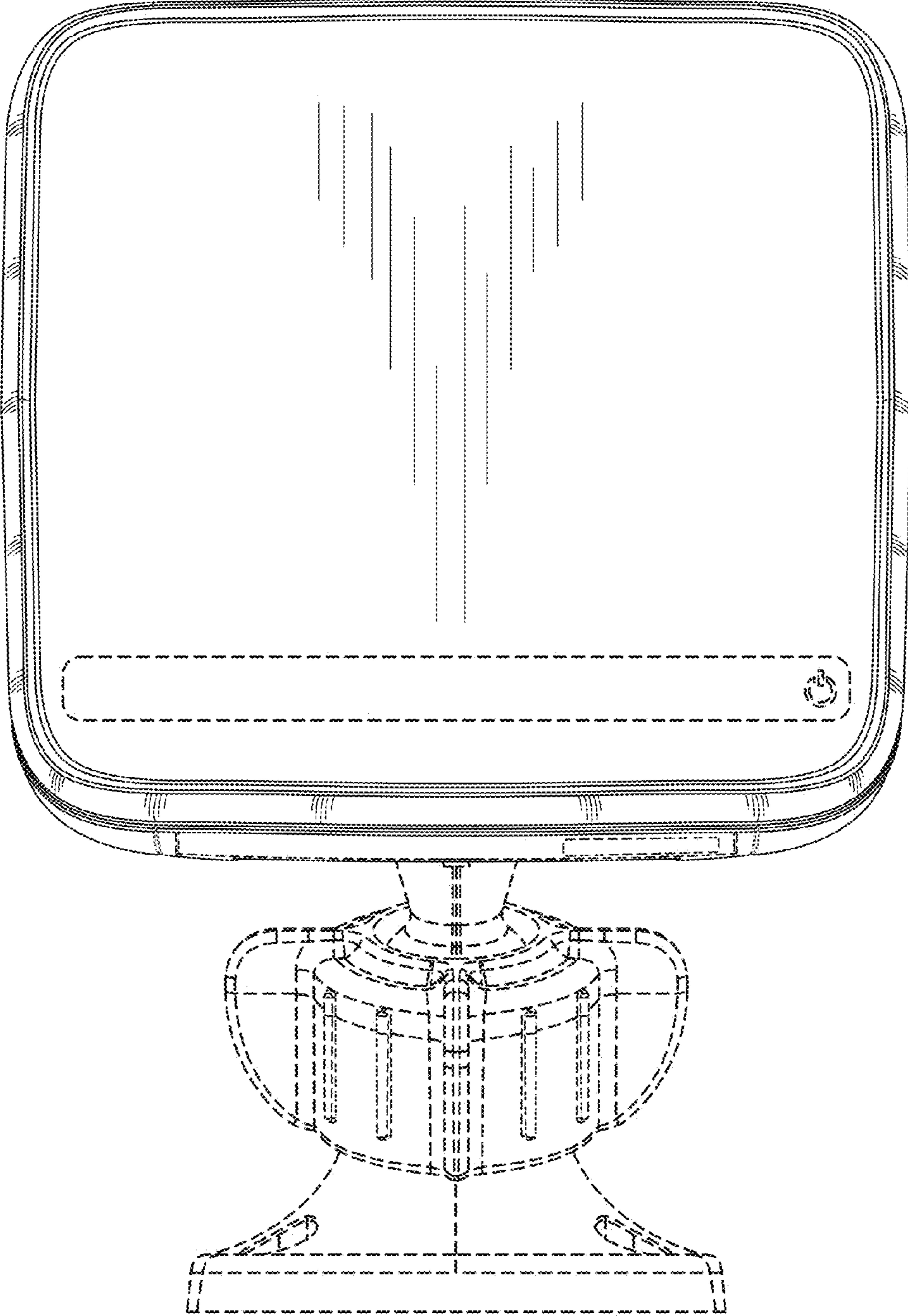


FIG. 3

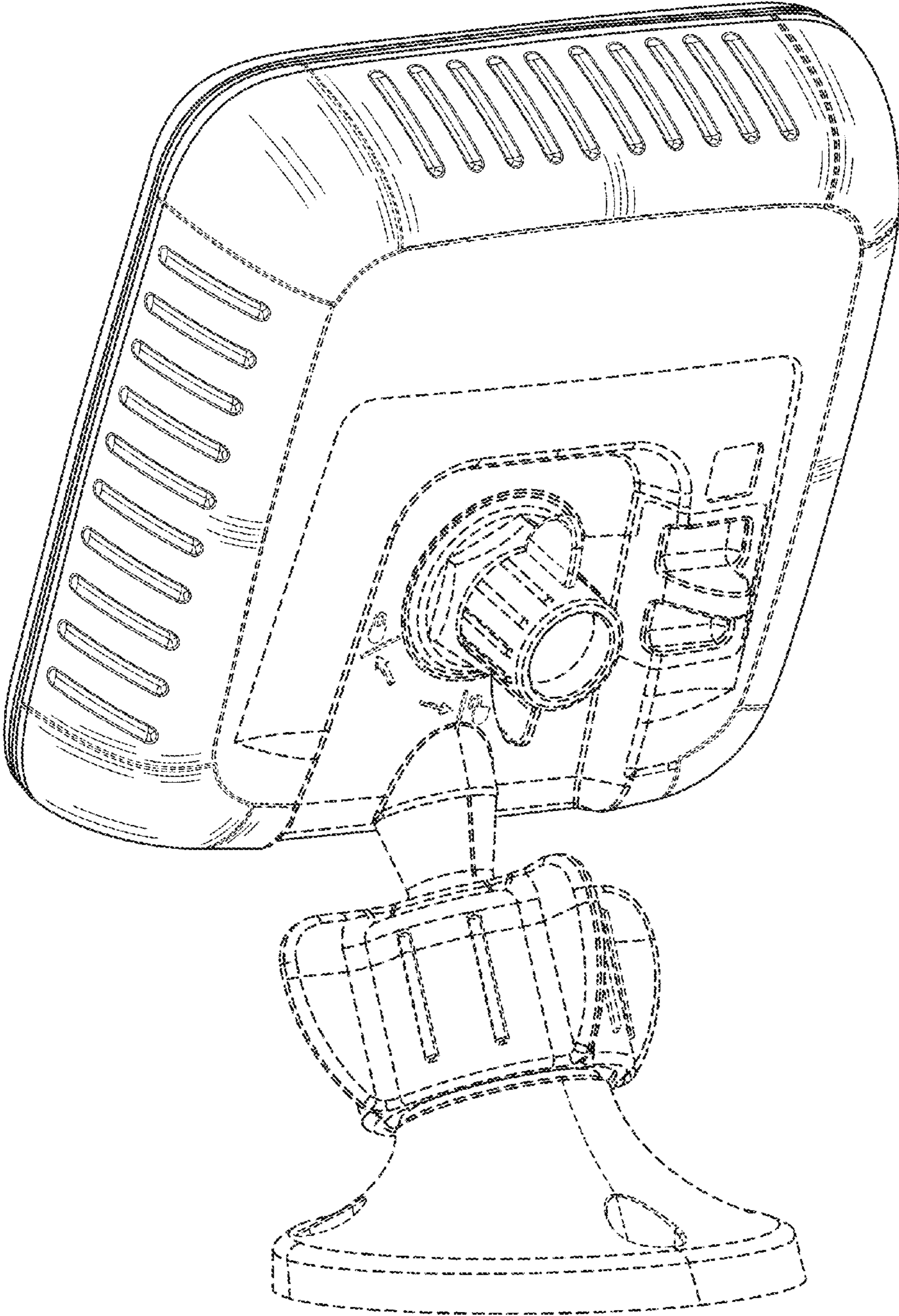


FIG. 4