



US00D749433S

(12) **United States Design Patent**
Duval

(10) **Patent No.:** **US D749,433 S**

(45) **Date of Patent:** **** Feb. 16, 2016**

- (54) **TIMEPIECE**
- (71) Applicant: **SEVENFRIDAY AG**, Zürich (CH)
- (72) Inventor: **Arnaud Duval**, Bienne (CH)
- (73) Assignee: **Sevenfriday AG**, Zurich (CH)
- (**) Term: **14 Years**
- (21) Appl. No.: **29/491,582**
- (22) Filed: **May 22, 2014**
- (51) **LOC (10) Cl.** **10-02**
- (52) **U.S. Cl.**
USPC **D10/39; D10/30; D10/125**
- (58) **Field of Classification Search**
USPC D10/30-39, 1-29, 122-132
CPC G04B 19/00; G04B 19/04; G04B 19/046;
G04B 19/048; G04B 19/06; G04B 19/08;
G04B 19/10; G04B 19/20; G04B 7/00;
G04G 9/00; G04G 9/06; G04G 15/00; G04G
15/006; G02F 1/134309
See application file for complete search history.

- 4,364,672 A * 12/1982 Shibuya G01R 13/407
345/50
- D293,425 S * 12/1987 Ichikawa D10/125
- D299,316 S * 1/1989 Vickery D10/126
- 6,388,952 B2 * 5/2002 Kim G04G 15/006
340/309.4
- D545,713 S * 7/2007 Waldman D10/125
- D588,025 S * 3/2009 Belamich D10/39
- 7,505,374 B2 * 3/2009 Booty, Jr. G04G 9/02
368/223
- D590,735 S * 4/2009 Rogers D10/126
- 7,773,464 B2 * 8/2010 Rogers G04F 1/005
368/240
- D659,042 S * 5/2012 Gruosi D10/125

* cited by examiner

Primary Examiner — Martie K Holtje

(74) *Attorney, Agent, or Firm* — Baker & Hostetler LLP

(57) **CLAIM**

The ornamental design for a timepiece, as shown and described.

DESCRIPTION

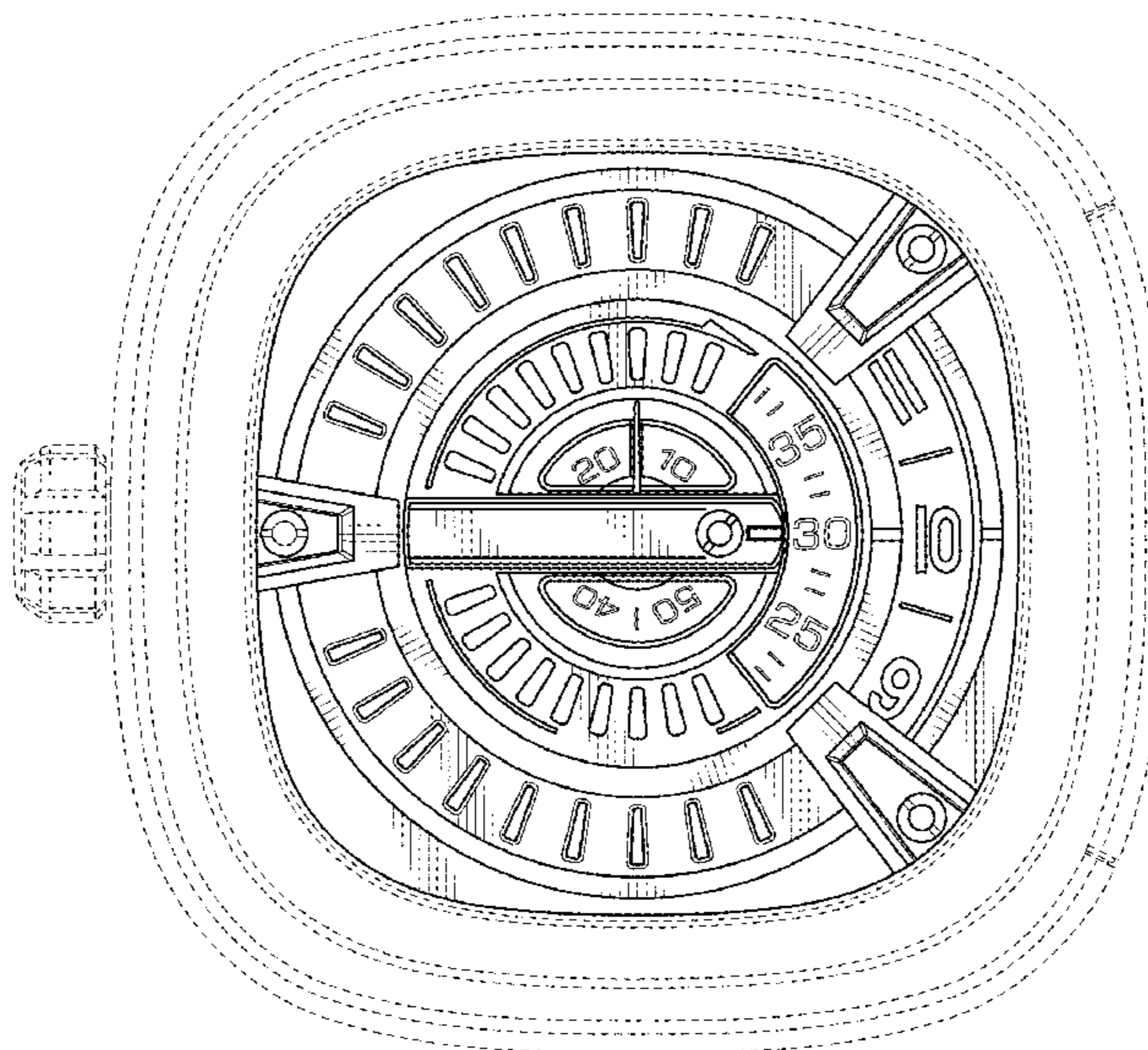
FIG. 1 is a top perspective view of a timepiece according to my new design;
 FIG. 2 is a bottom perspective view thereof;
 FIG. 3 is a right elevation view thereof;
 FIG. 4 is a left elevation view thereof;
 FIG. 5 is a rear elevation view thereof, the front elevation view being a mirror image of the rear elevation view;
 FIG. 6 is a top view thereof; and,
 FIG. 7 is a bottom view thereof.
 The broken lines shown are included for the purpose of illustrating portions of the timepiece that form no part of the claim.

1 Claim, 5 Drawing Sheets

(56) **References Cited**

U.S. PATENT DOCUMENTS

- D103,489 S * 3/1937 Brown D10/102
- 2,892,304 A * 6/1959 Eaves G04B 7/00
116/DIG. 26
- D230,049 S * 1/1974 Fukumoto D10/124
- 3,844,105 A * 10/1974 Kashio G04G 9/06
368/82
- 4,095,405 A * 6/1978 Tanaka G04C 3/007
368/28
- D257,963 S * 1/1981 Sticker D10/126
- 4,254,489 A * 3/1981 Azzam G02F 1/134309
345/50



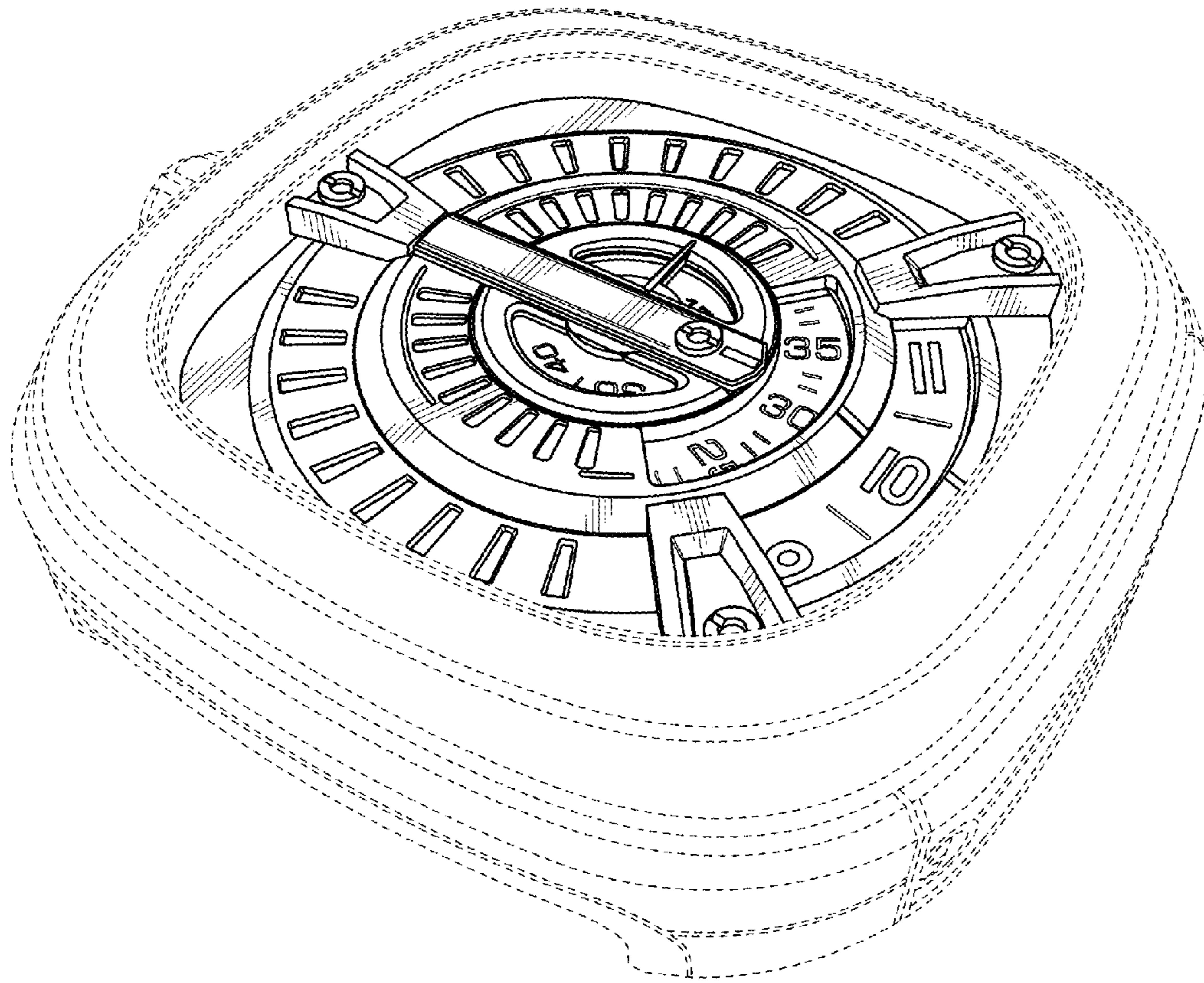


FIG. 1

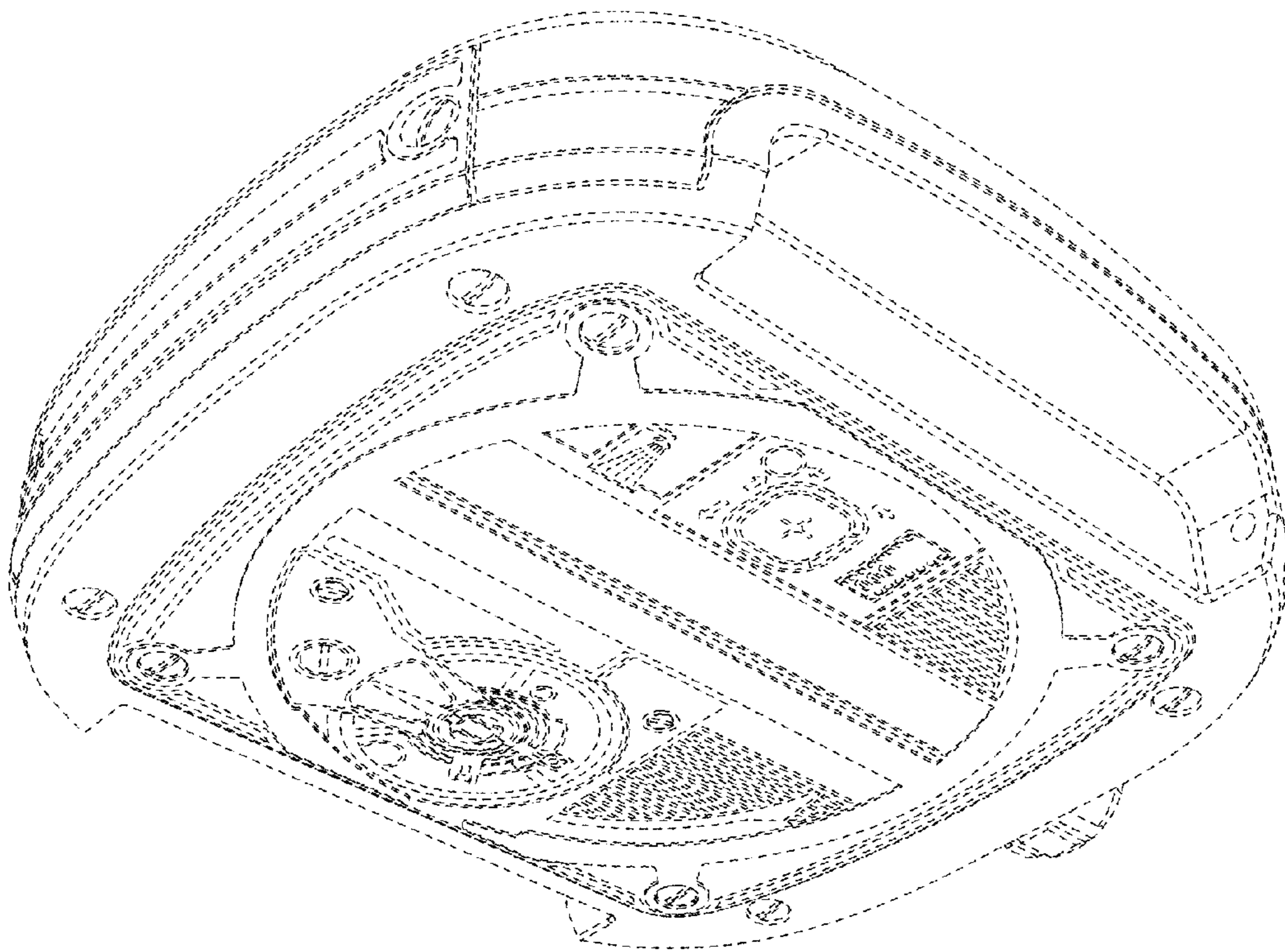


FIG. 2

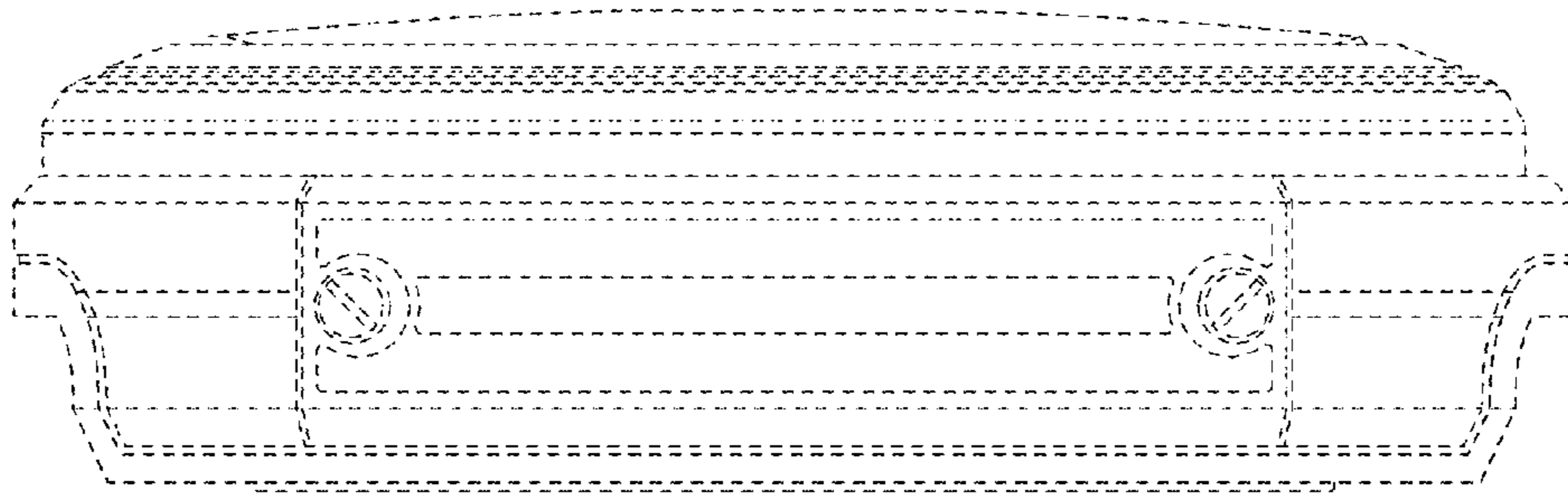


FIG. 3

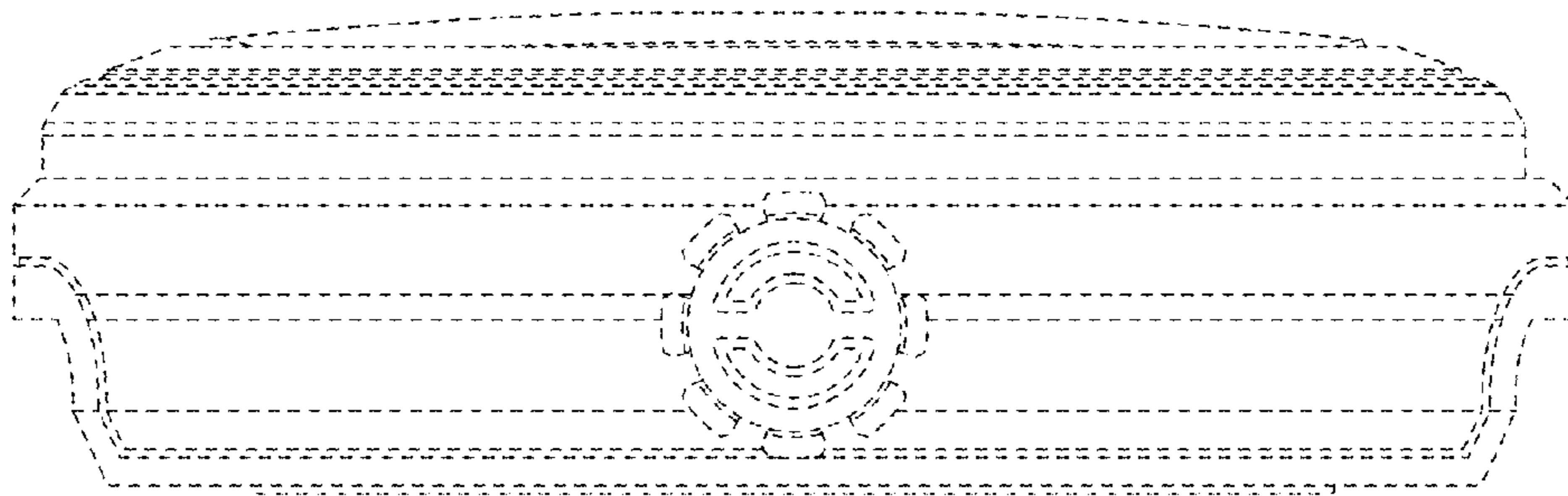


FIG. 4

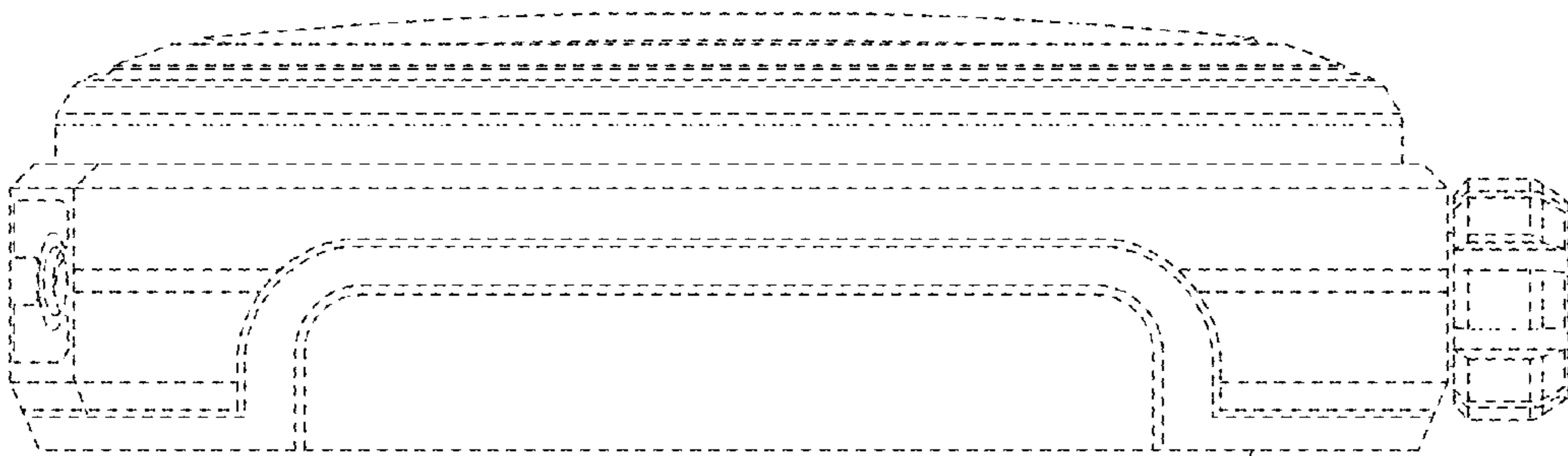


FIG. 5

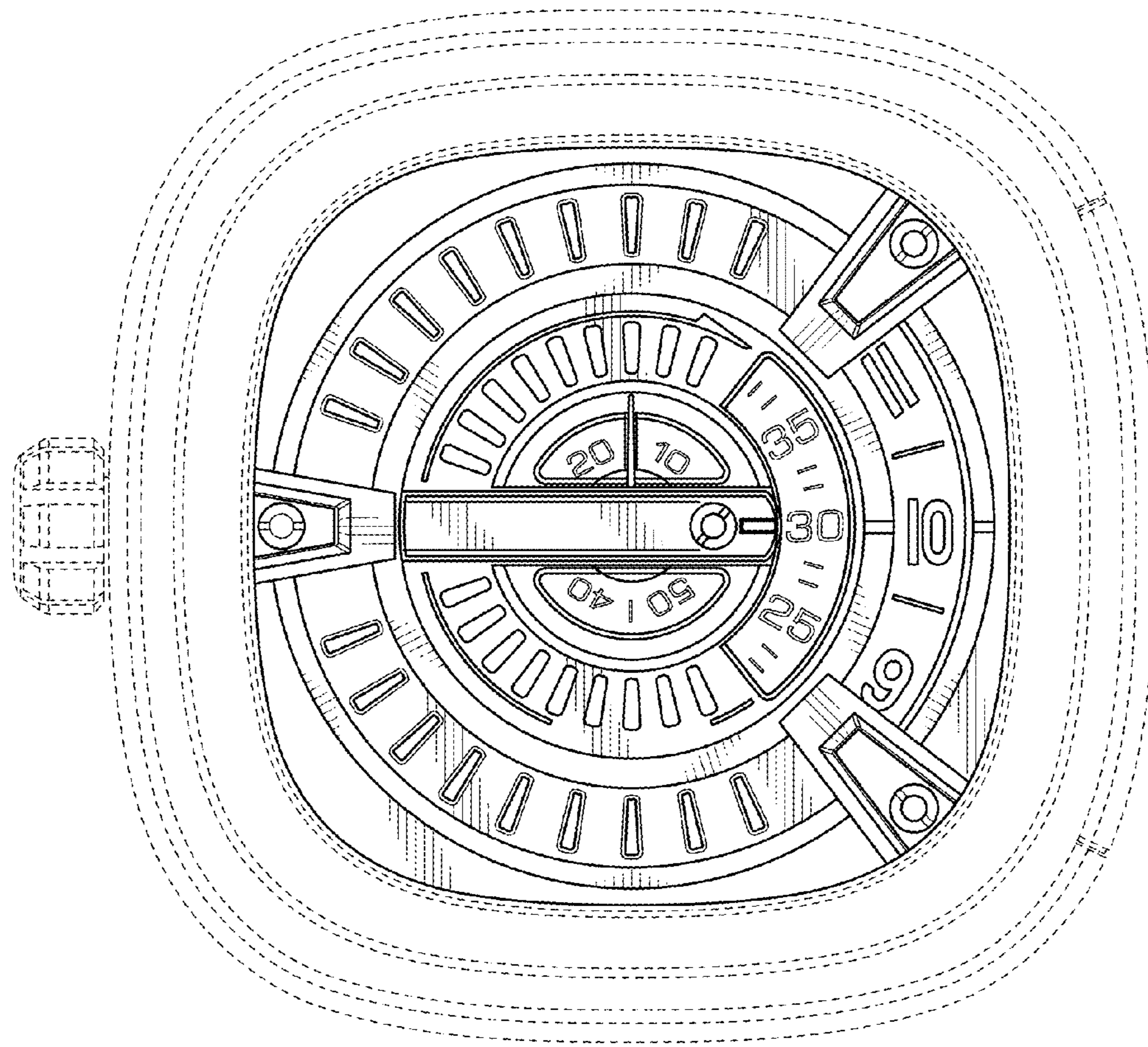


FIG. 6

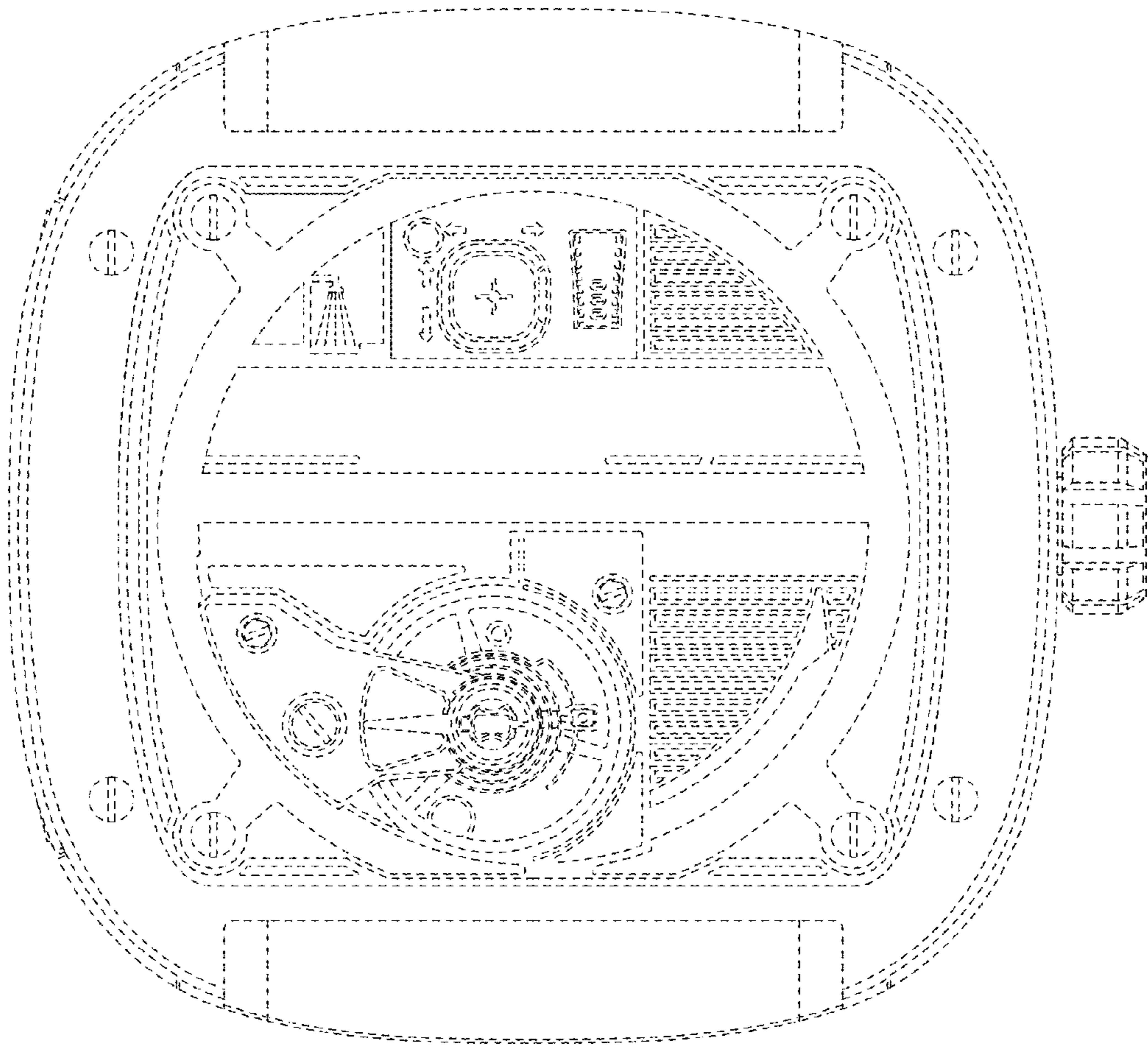


FIG. 7