



US00D749432S

(12) **United States Design Patent**
Daniel

(10) **Patent No.:** **US D749,432 S**
(45) **Date of Patent:** **** Feb. 16, 2016**

(54) **SMART WATCH WITH TACHYMETER**

(71) Applicant: **Isaac S. Daniel**, Miramar, FL (US)

(72) Inventor: **Isaac S. Daniel**, Miramar, FL (US)

(**) Term: **14 Years**

(21) Appl. No.: **29/507,259**

(22) Filed: **Oct. 24, 2014**

(51) **LOC (10) Cl.** **10-02**

(52) **U.S. Cl.**

USPC **D10/32; D10/39; D10/126**

(58) **Field of Classification Search**

USPC D10/30-39, 1-29, 122-132; D11/3;
D14/344

CPC G04B 3/00; G04B 3/001; G04B 3/048;
G04B 19/00; G04B 19/06; G04B 19/10;
G04B 19/24; G04B 37/00; G04B 37/0008;
G04B 37/0058; G04B 37/1486; G04B 47/00;
G04B 47/06; G04C 3/00; G04C 3/001;
G04F 7/00; G04F 7/08; G04F 7/0804; G04F
7/0866; G04F 7/0871

See application file for complete search history.

(56) **References Cited**

U.S. PATENT DOCUMENTS

- 2,763,122 A * 9/1956 Hayes G04B 47/008
368/11
- 4,390,288 A * 6/1983 Arnoux G04B 37/0058
368/276
- D287,470 S * 12/1986 Houlihan D10/30
- D295,838 S * 5/1988 Ando D10/32
- D325,173 S * 4/1992 Gueit D10/128
- 5,724,317 A * 3/1998 Kubota G04G 21/02

- D412,124 S * 7/1999 Luscher D10/32
368/10
- D415,043 S * 10/1999 Fichter D10/126
- 6,185,158 B1 * 2/2001 Ito G04C 17/0066
368/28
- D462,919 S * 9/2002 Strasser D10/131
- D539,669 S * 4/2007 Vaptzarof D10/31
- D555,515 S * 11/2007 Krieger D10/31
- D566,585 S * 4/2008 Belamich D10/39
- D582,793 S * 12/2008 Lalo D10/38
- D609,583 S * 2/2010 Lalo D10/32
- D664,067 S * 7/2012 Cerrato D11/94

* cited by examiner

Primary Examiner — Martie K Holtje

(74) *Attorney, Agent, or Firm* — Carol N. Green Kaul, Esq.

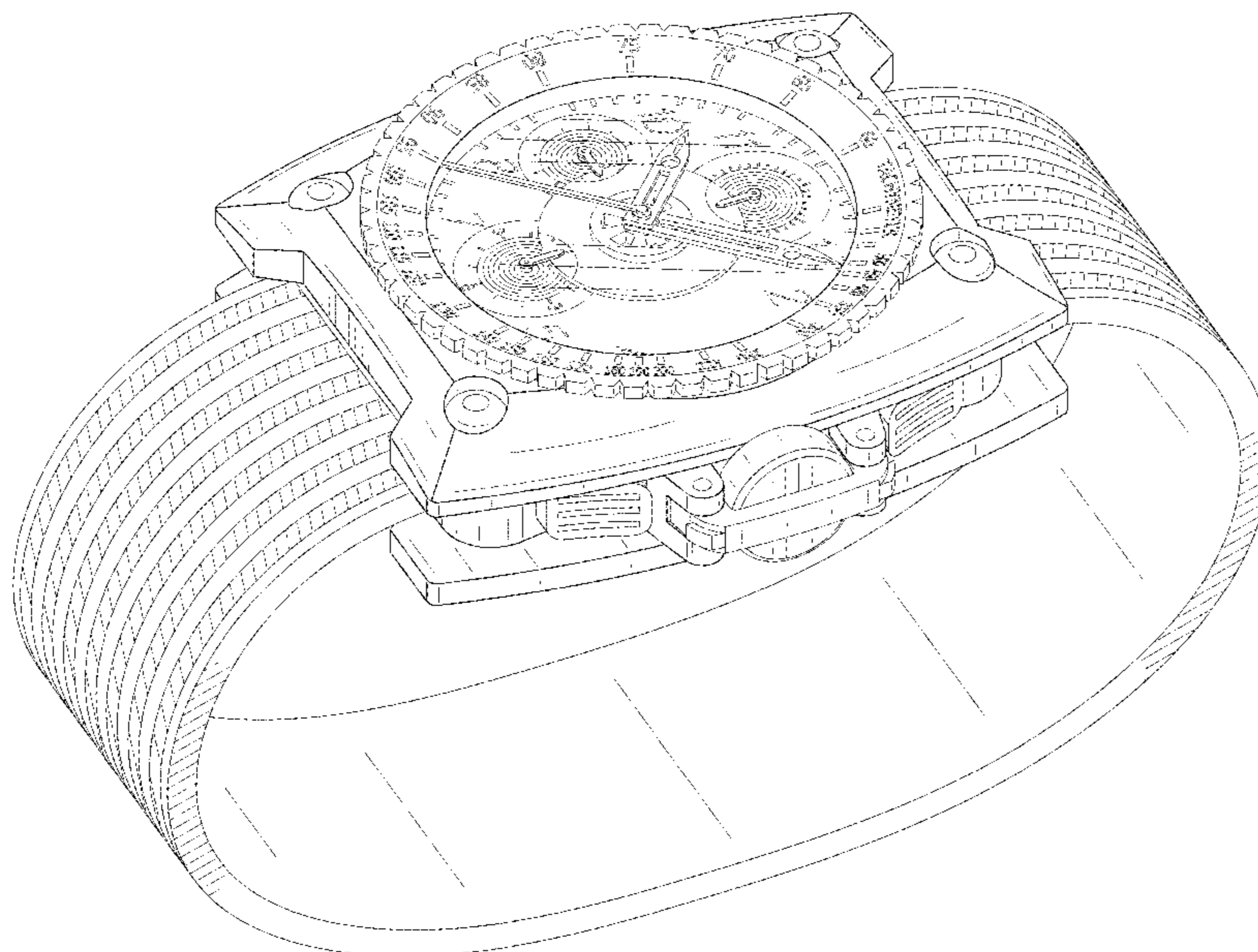
(57) **CLAIM**

The ornamental design for a smart watch with tachymeter, as shown and described.

DESCRIPTION

FIG. 1 is a top, right front perspective view of a smart watch with tachymeter showing my new design;
 FIG. 2 is a top, left rear perspective view thereof;
 FIG. 3 is a bottom left perspective view thereof;
 FIG. 4 is a top plan view thereof;
 FIG. 5 is a bottom plan view thereof;
 FIG. 6 is a front elevational view thereof;
 FIG. 7 is a right side elevational view thereof; and,
 FIG. 8 is a left side elevational view thereof.
 The features depicted by broken lines in FIGS. 1, 2, and 4 have been shown for the purpose of illustrating portions of the smart watch with tachymeter that form no part of the claimed design.

1 Claim, 8 Drawing Sheets



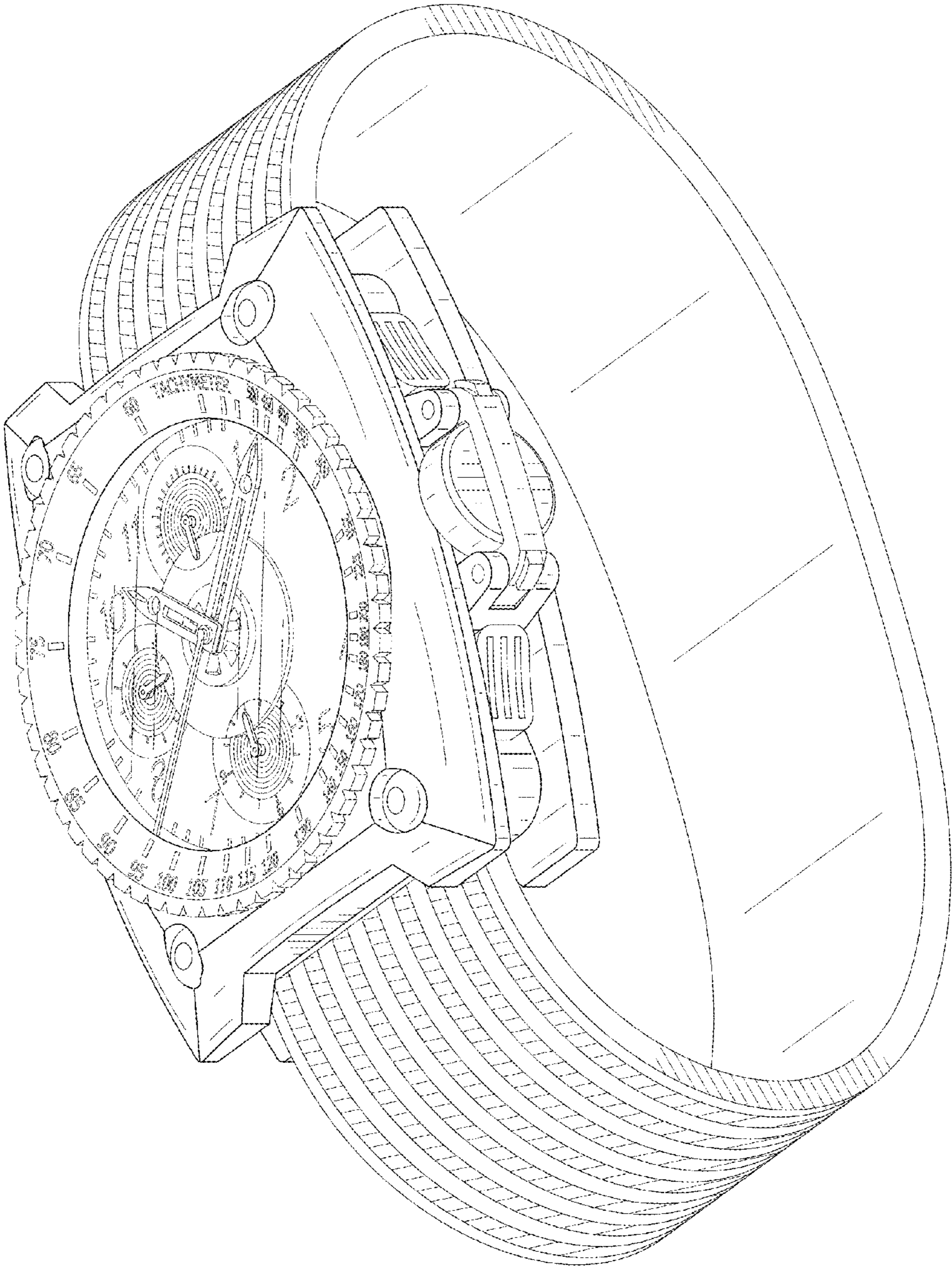


FIG. 1

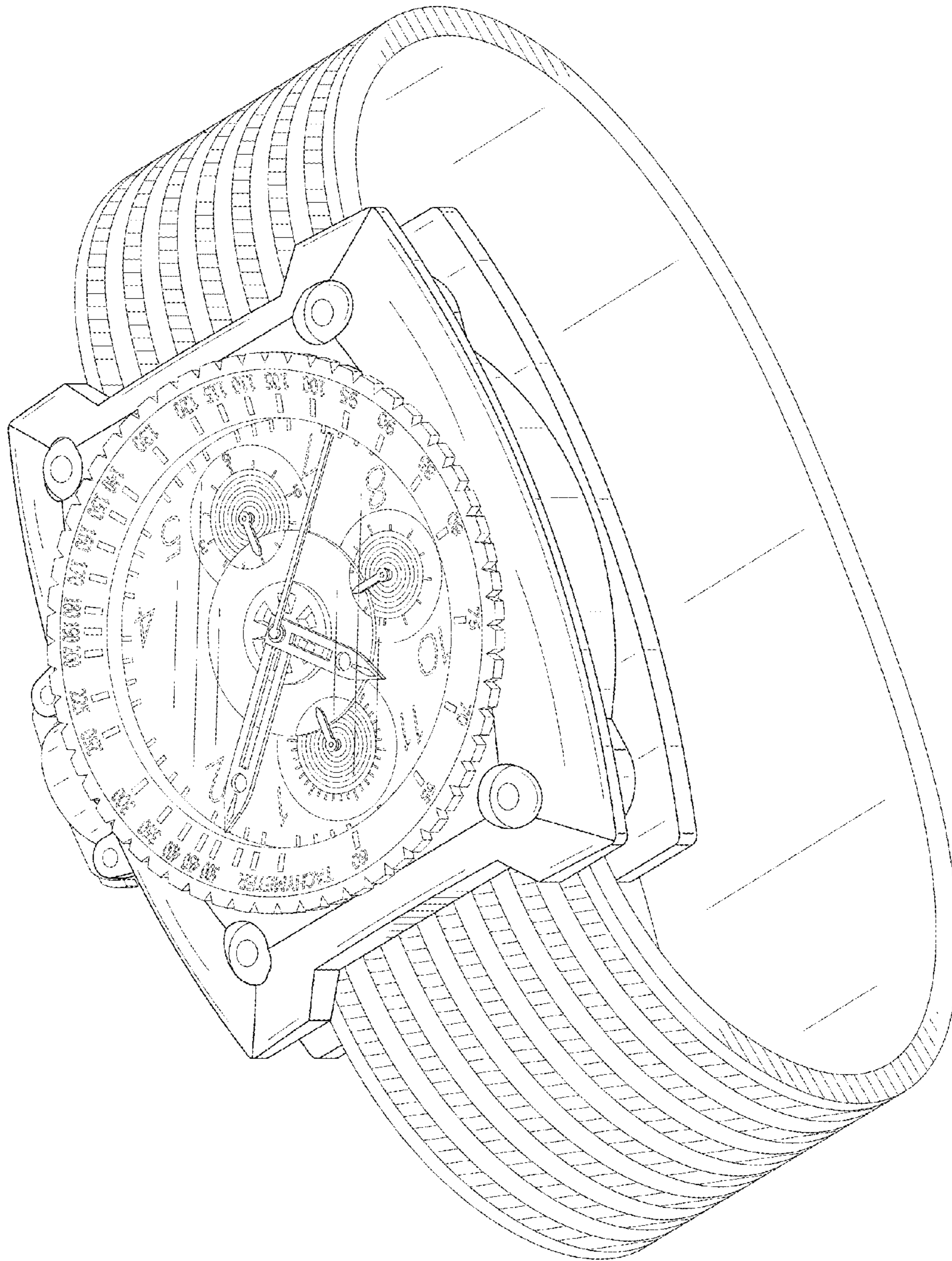


FIG. 2

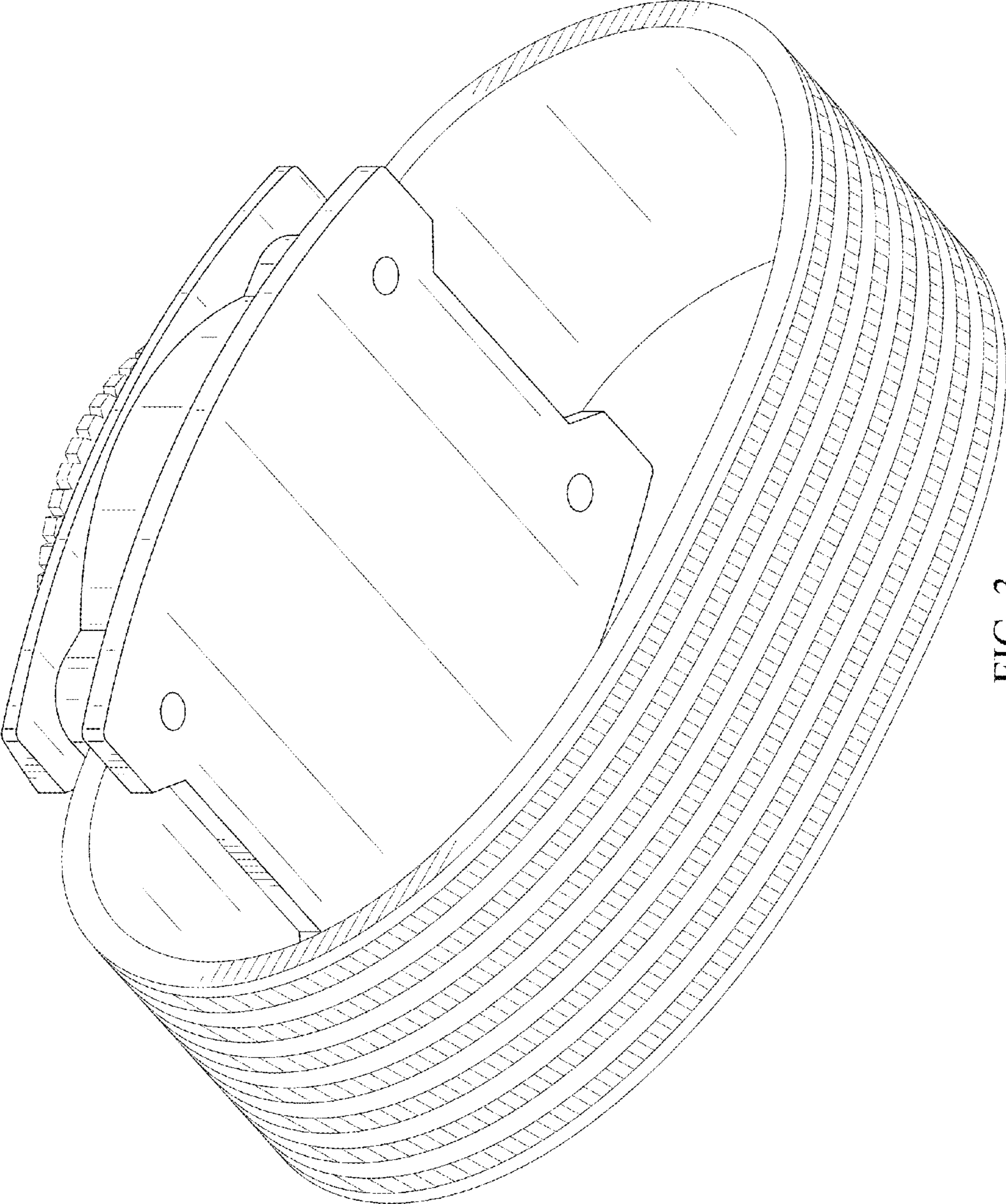


FIG. 3

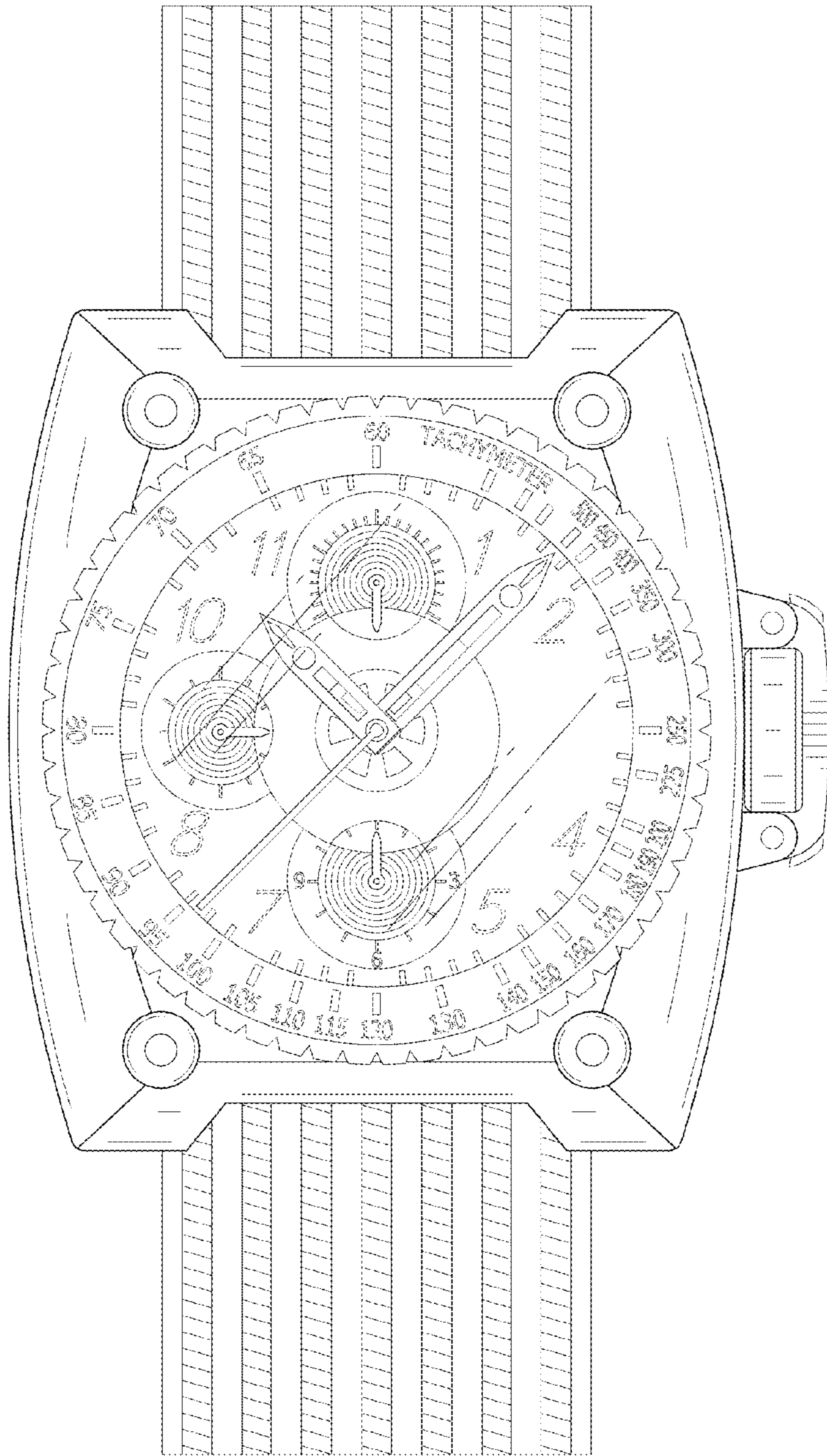


FIG. 4

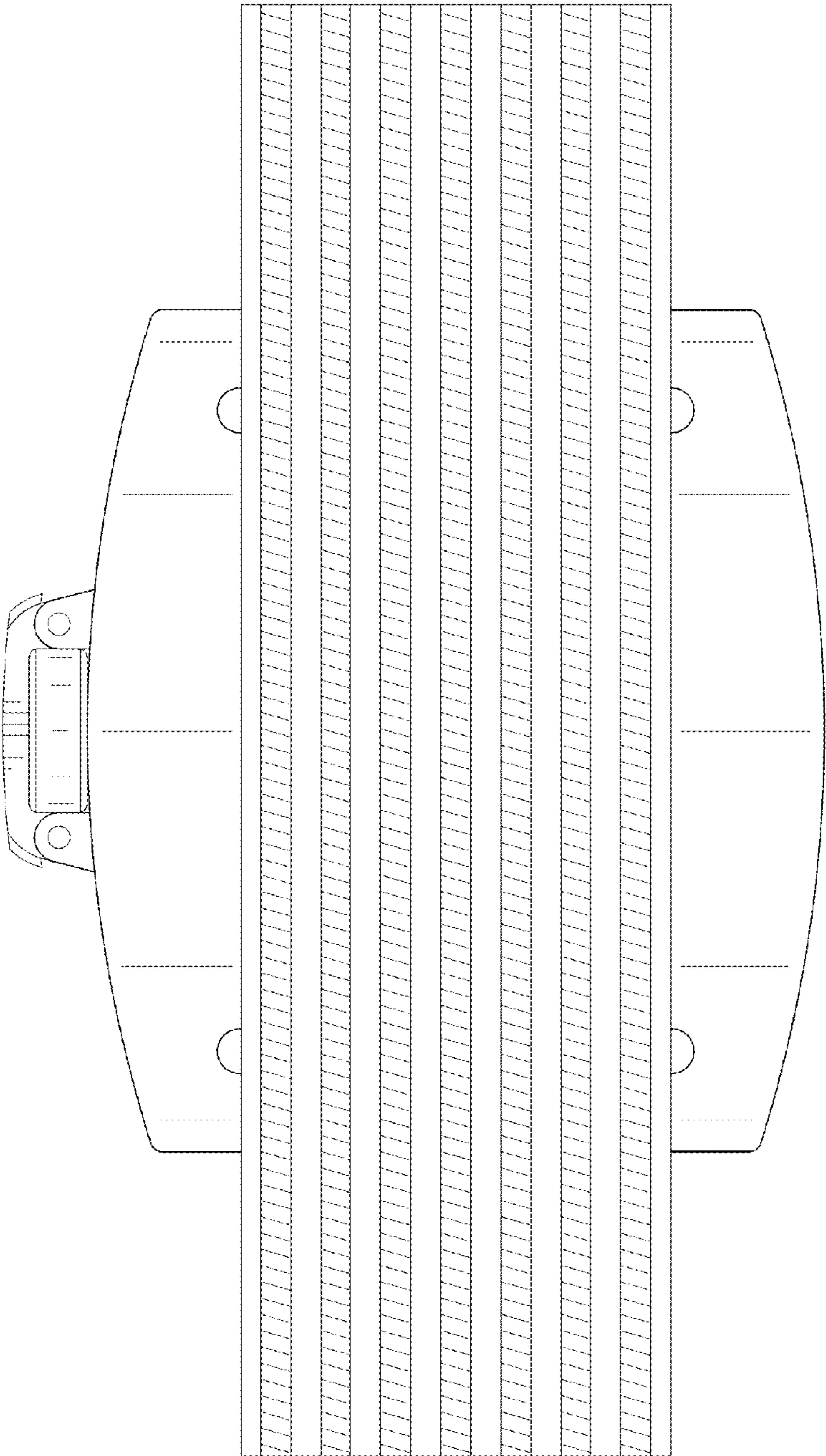


FIG. 5

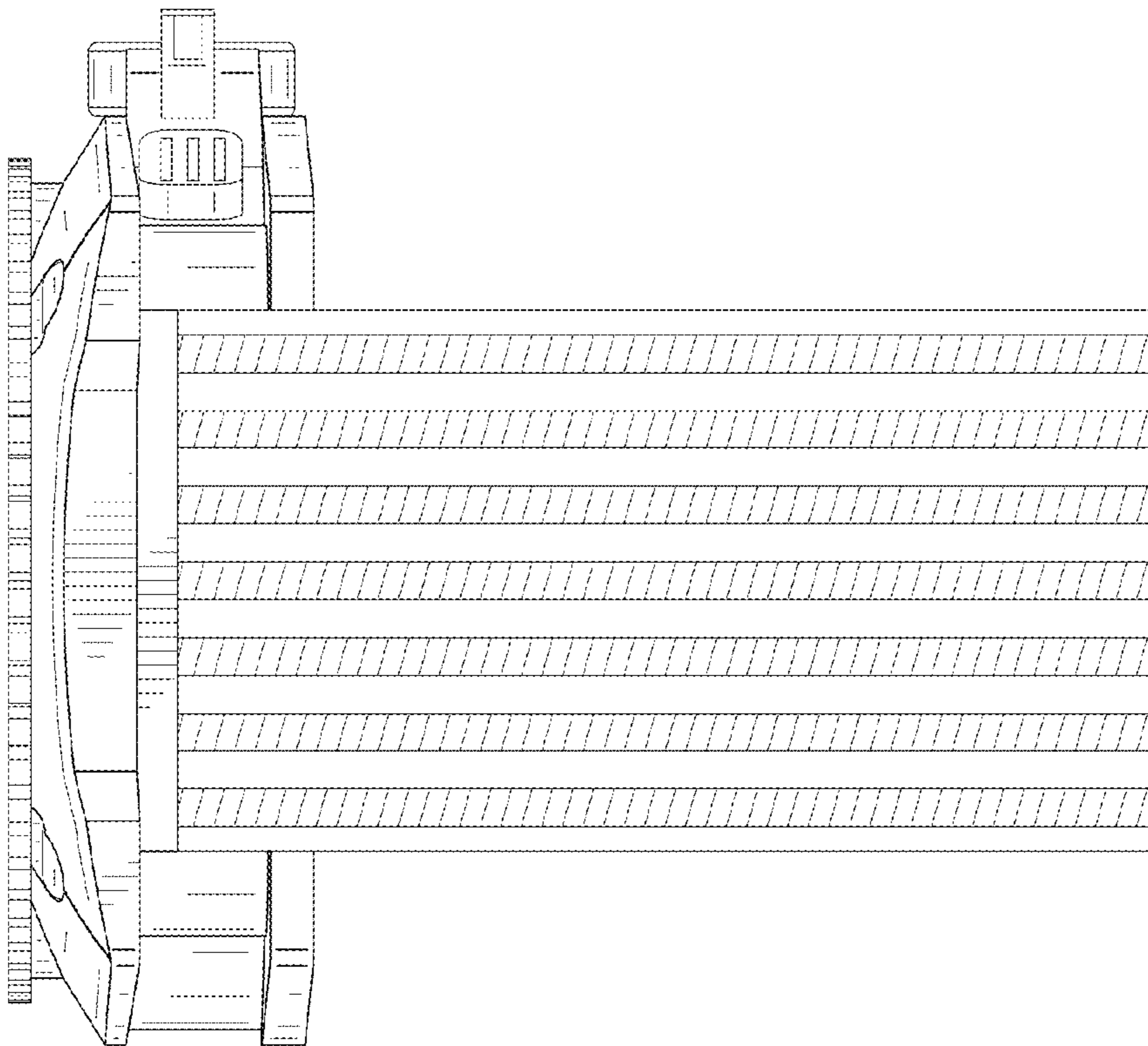


FIG. 6

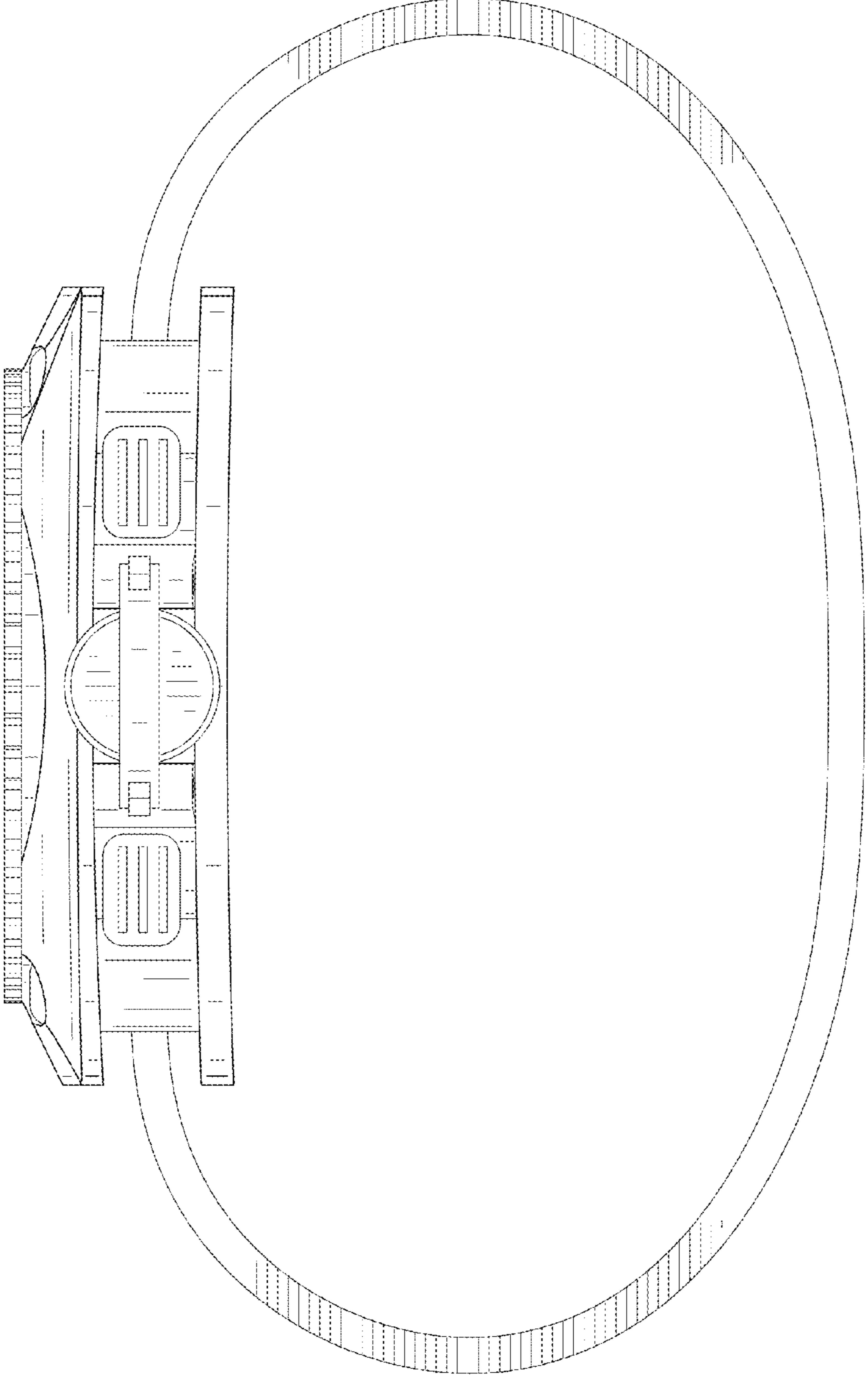


FIG. 7

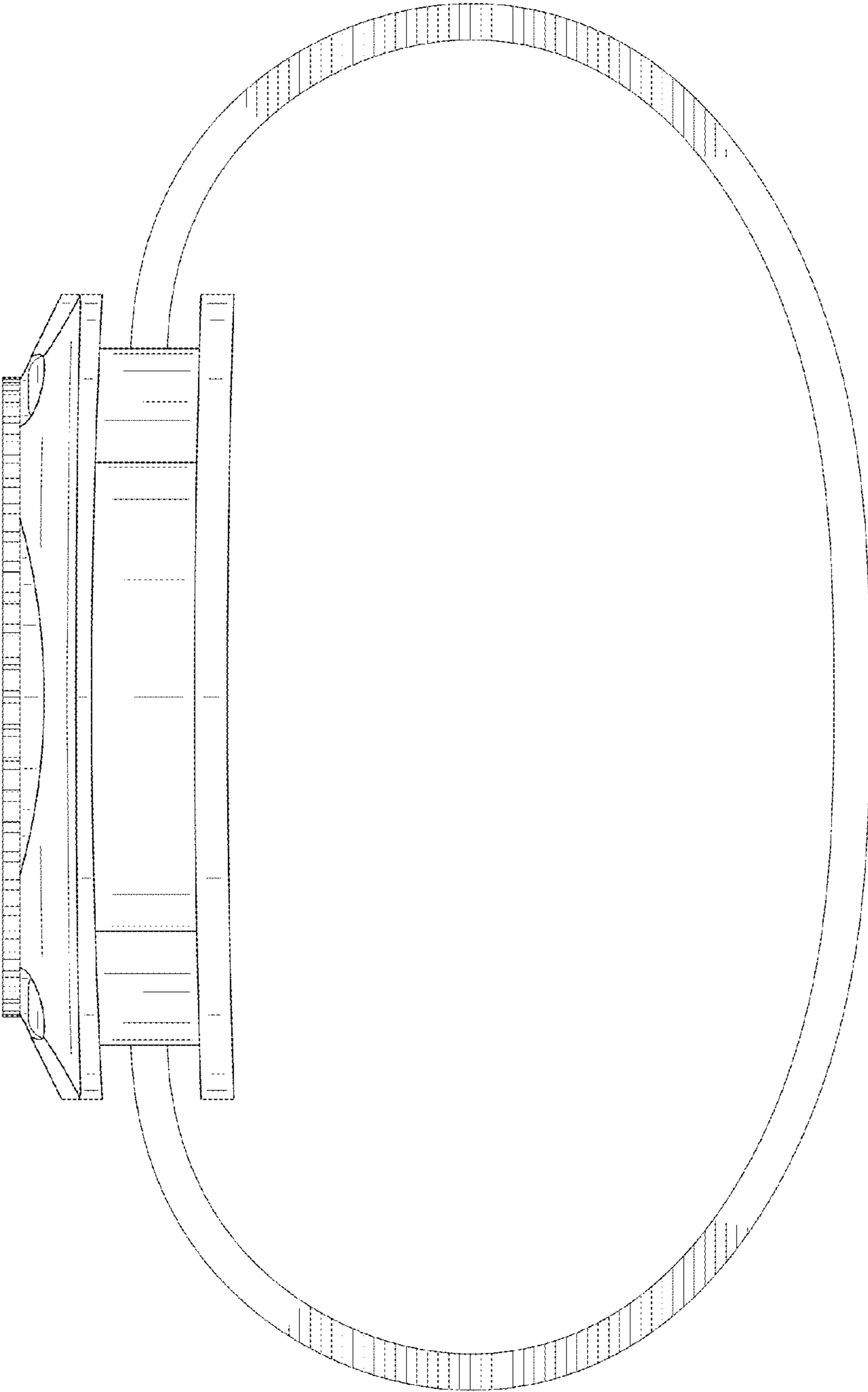


FIG. 8