



US00D749431S

(12) **United States Design Patent**
Babcock

(10) **Patent No.:** **US D749,431 S**

(45) **Date of Patent:** **** Feb. 16, 2016**

(54) **WATCH**

(71) Applicant: **Nixon Inc.**, Encinitas, CA (US)

(72) Inventor: **Joseph Babcock**, Encinitas, CA (US)

(**) Term: **14 Years**

(21) Appl. No.: **29/498,275**

(22) Filed: **Aug. 1, 2014**

(51) **LOC (10) Cl.** **10-02**

(52) **U.S. Cl.**
USPC **D10/30; D10/38**

(58) **Field of Classification Search**
USPC D10/30-39, 1-29, 122-132
CPC G04B 19/00; G04B 19/046; G04B 19/065;
G04B 37/00; G04B 37/0008; G04B 37/0058;
G04B 37/1486; G04B 39/02; G04B 45/00;
G04B 45/069

See application file for complete search history.

(56) **References Cited**

U.S. PATENT DOCUMENTS

- 2,385,234 A * 9/1945 Schmitz G04B 3/045
368/288
- 2,597,935 A * 5/1952 Kiehl G04B 39/02
351/154
- D238,660 S * 2/1976 Ruefli D10/30
- D320,358 S * 10/1991 Bulgari D10/32
- D391,174 S * 2/1998 Modolo D10/128
- D401,866 S * 12/1998 Pandel D10/30
- D462,631 S * 9/2002 Calvani D10/128
- 7,027,360 B2 * 4/2006 Kitahara G04C 17/0066
368/28
- D572,608 S * 7/2008 Behling D10/32
- D633,812 S * 3/2011 Yurman D10/32
- D659,025 S * 5/2012 Yurman D10/32
- D673,463 S * 1/2013 Duport D10/32
- D673,866 S * 1/2013 Duport D10/32

- D691,495 S * 10/2013 Duport D10/32
- D697,822 S * 1/2014 Duport D10/32
- 2006/0291336 A1 * 12/2006 Hyun G04B 37/04
368/282

FOREIGN PATENT DOCUMENTS

- JP D1507170 9/2014
- JP D1507175 9/2014
- JP D1520070 3/2015
- JP D1521561 4/2015
- JP D1521995 4/2015
- JP D1522013 4/2015
- JP D1523095 5/2015
- JP D1529744 7/2015

* cited by examiner

Primary Examiner — Martie K Holtje
(74) *Attorney, Agent, or Firm* — Cooley LLP

(57) **CLAIM**

The ornamental design for a watch, as shown and described.

DESCRIPTION

FIG. 1 is a right front perspective view of a watch showing my new design;

FIG. 2 is a right rear perspective view thereof;

FIG. 3 is a front elevational view thereof;

FIG. 4 is a rear elevational view thereof;

FIG. 5 is a left side elevational view thereof;

FIG. 6 is a right side elevational view thereof;

FIG. 7 is a top plan view thereof;

FIG. 8 is a bottom plan view thereof;

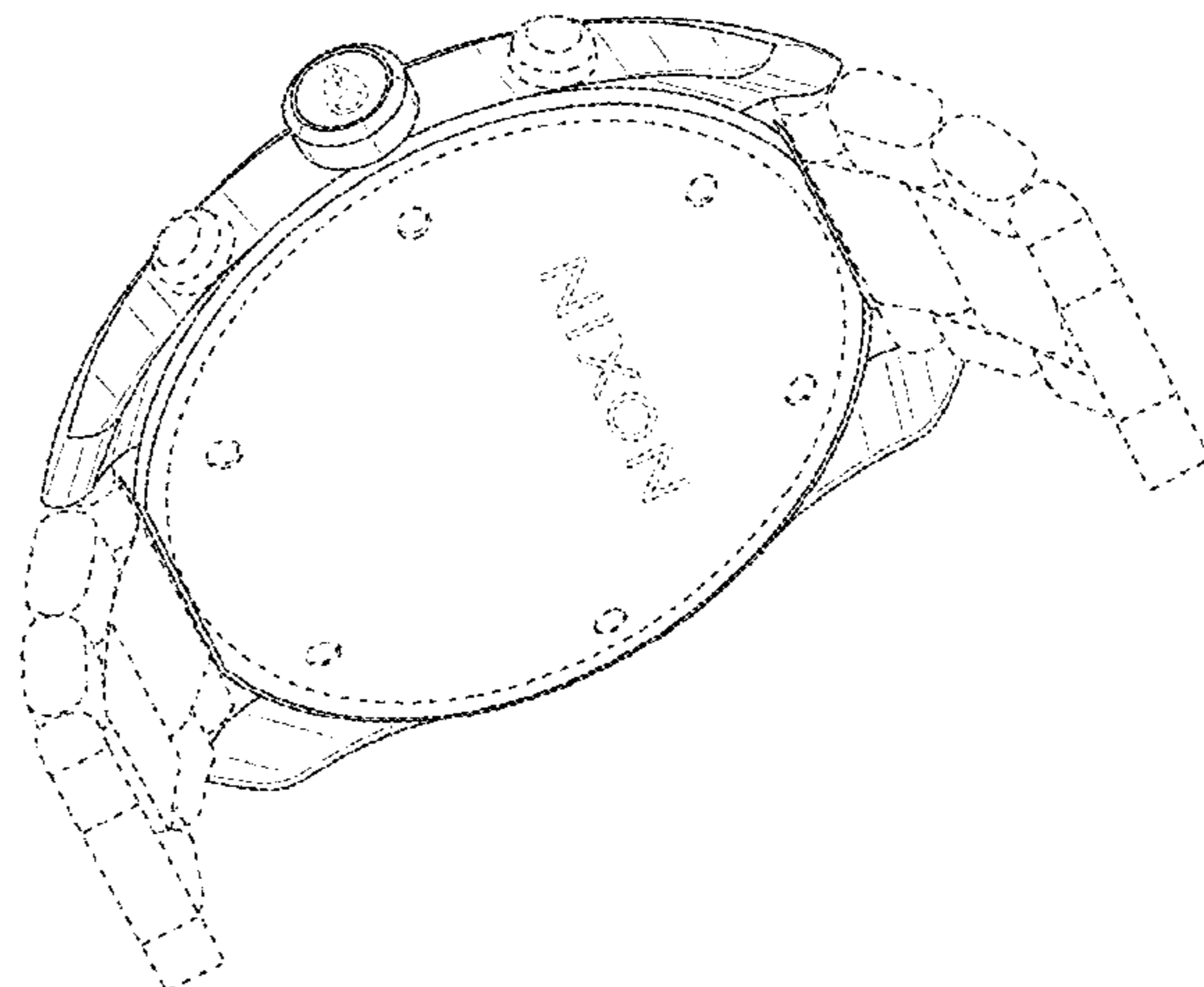
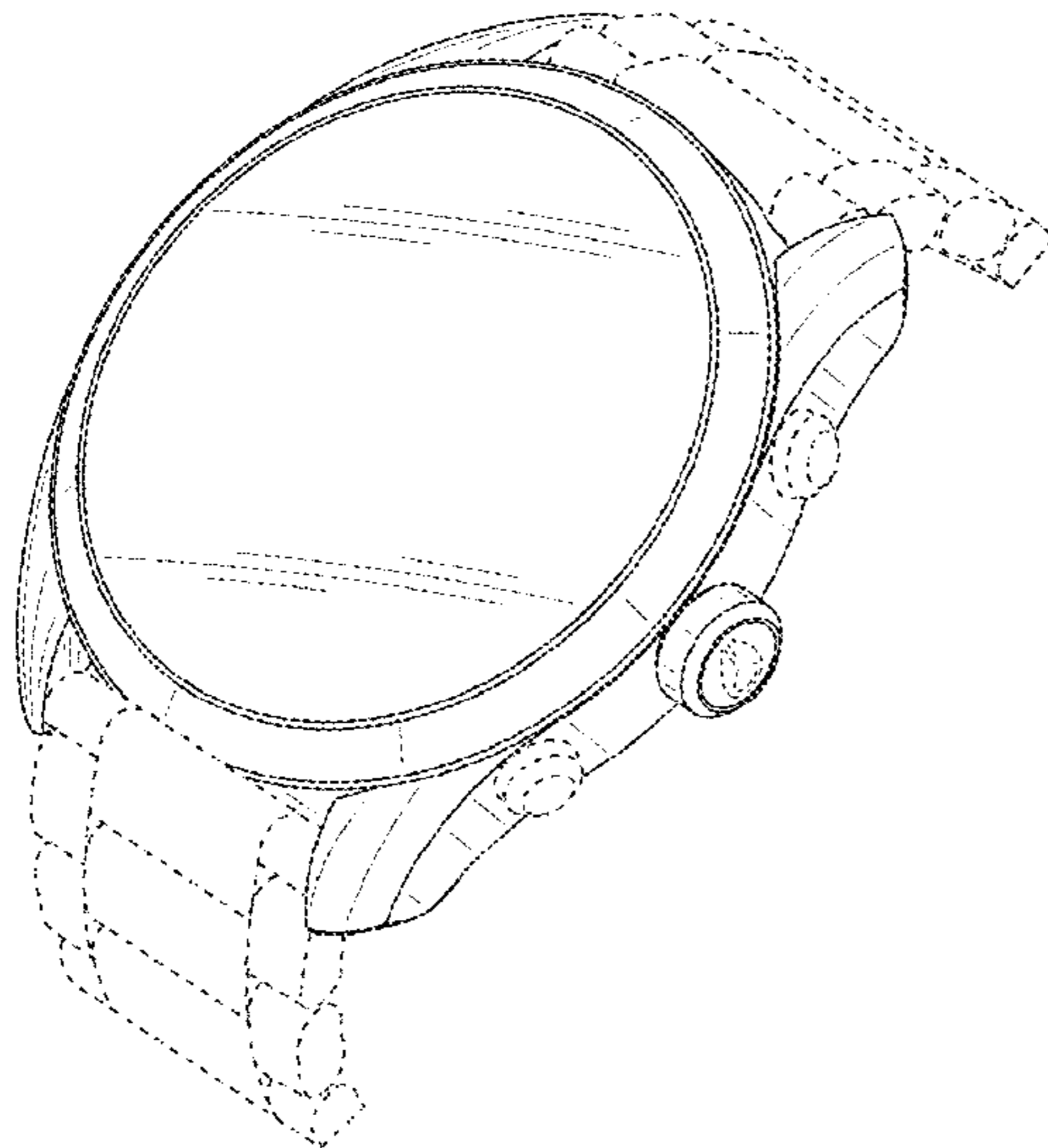
FIG. 9 is a second right front perspective view thereof; and,

FIG. 10 is a second front elevational view thereof.

The features depicted by broken lines in the figures have been shown for the purpose of illustrating portions of the watch that form no part of the claimed design.

The strap portions depicted by broken lines have been shown for the purpose of illustrating environment that forms no part of the claimed design.

1 Claim, 9 Drawing Sheets



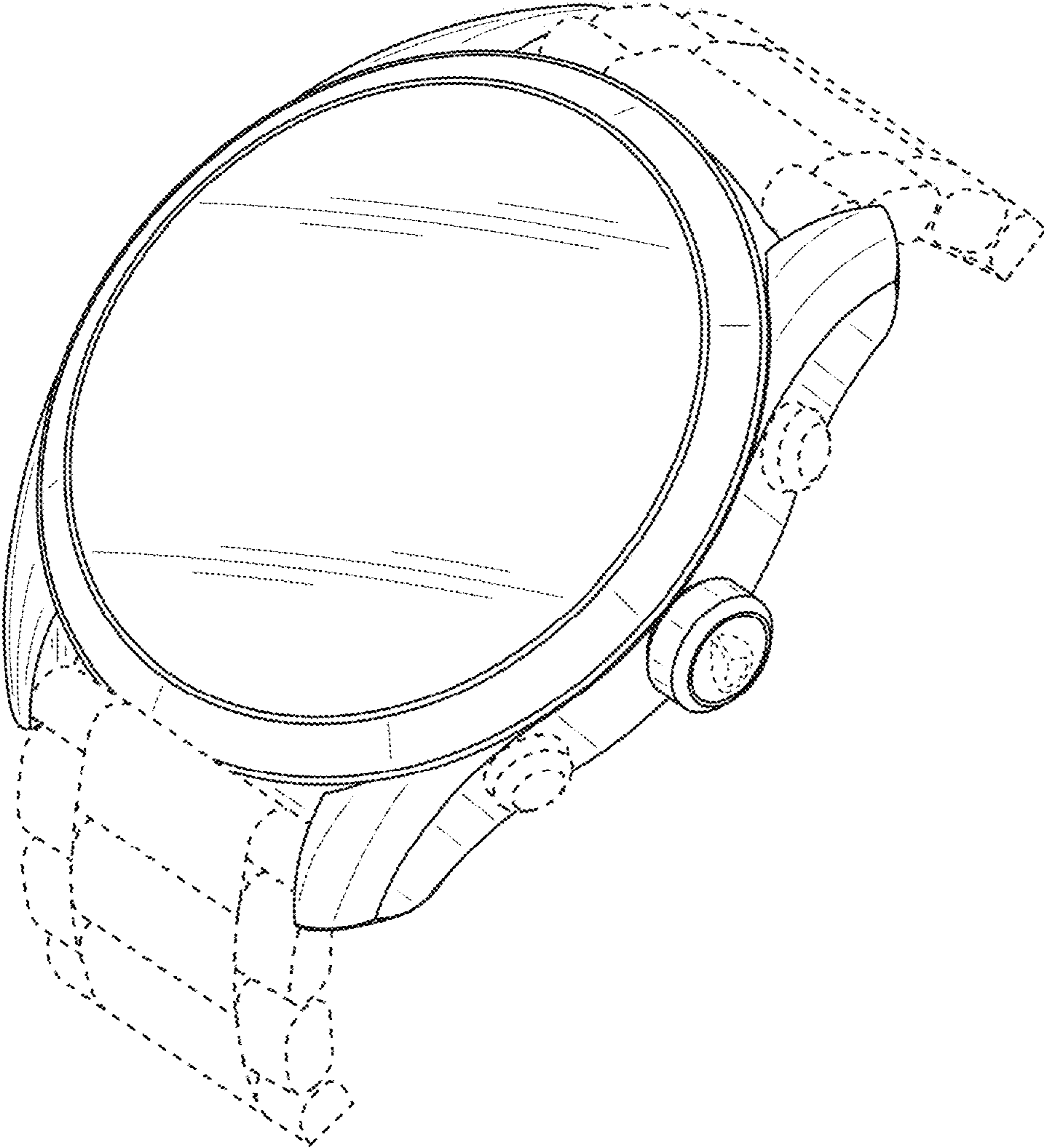


FIG. 1

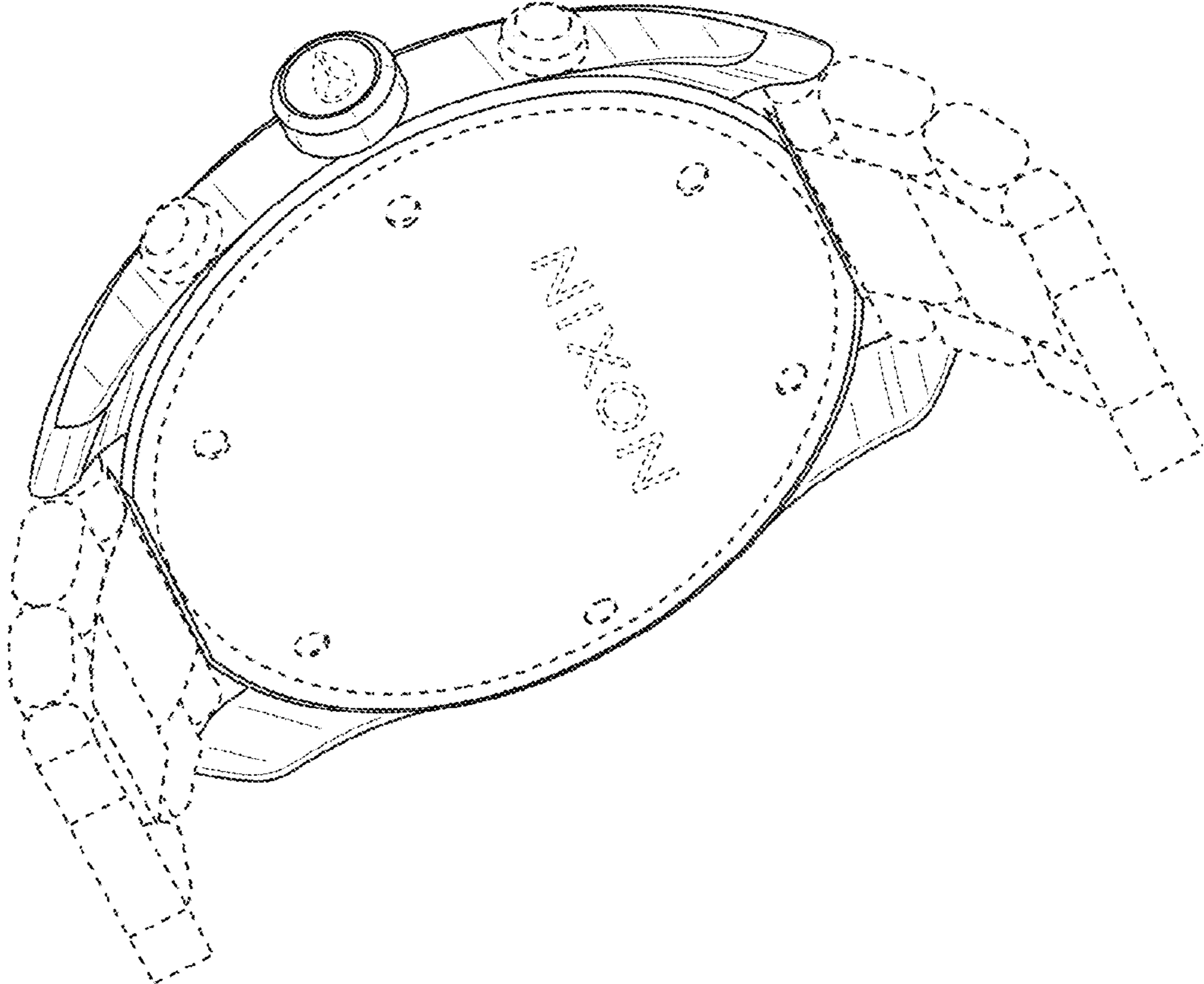


FIG. 2

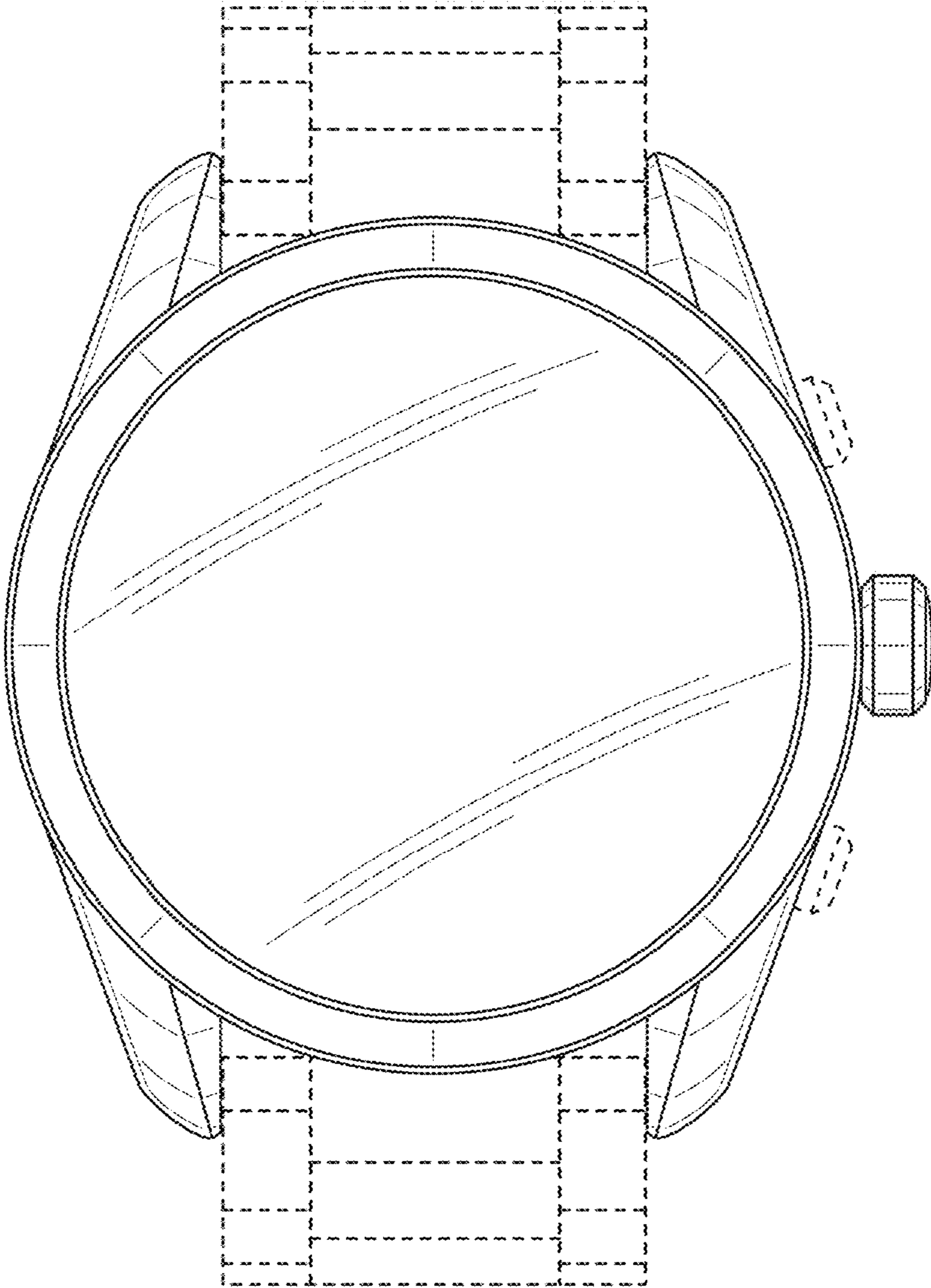


FIG.3

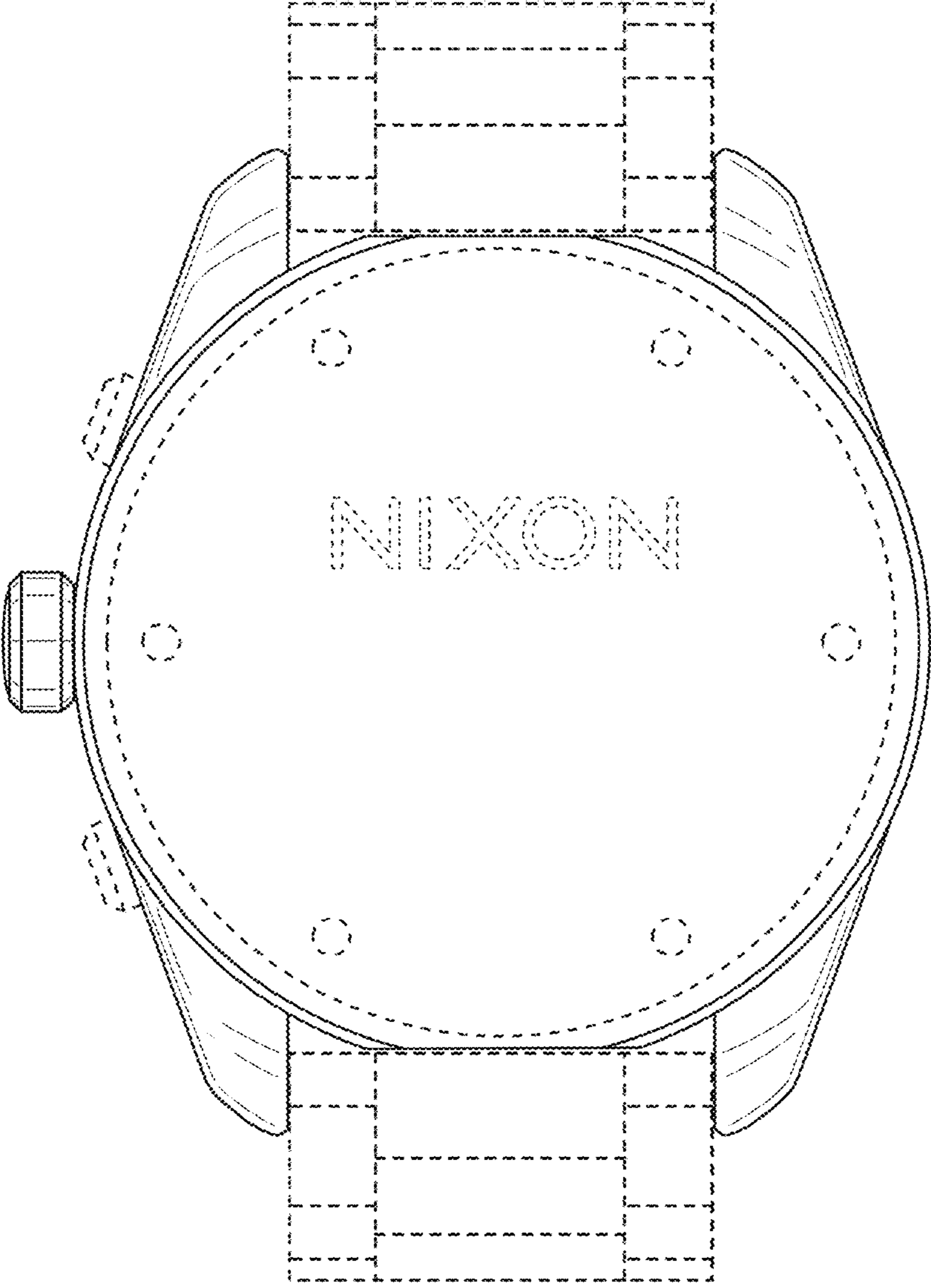


FIG.4

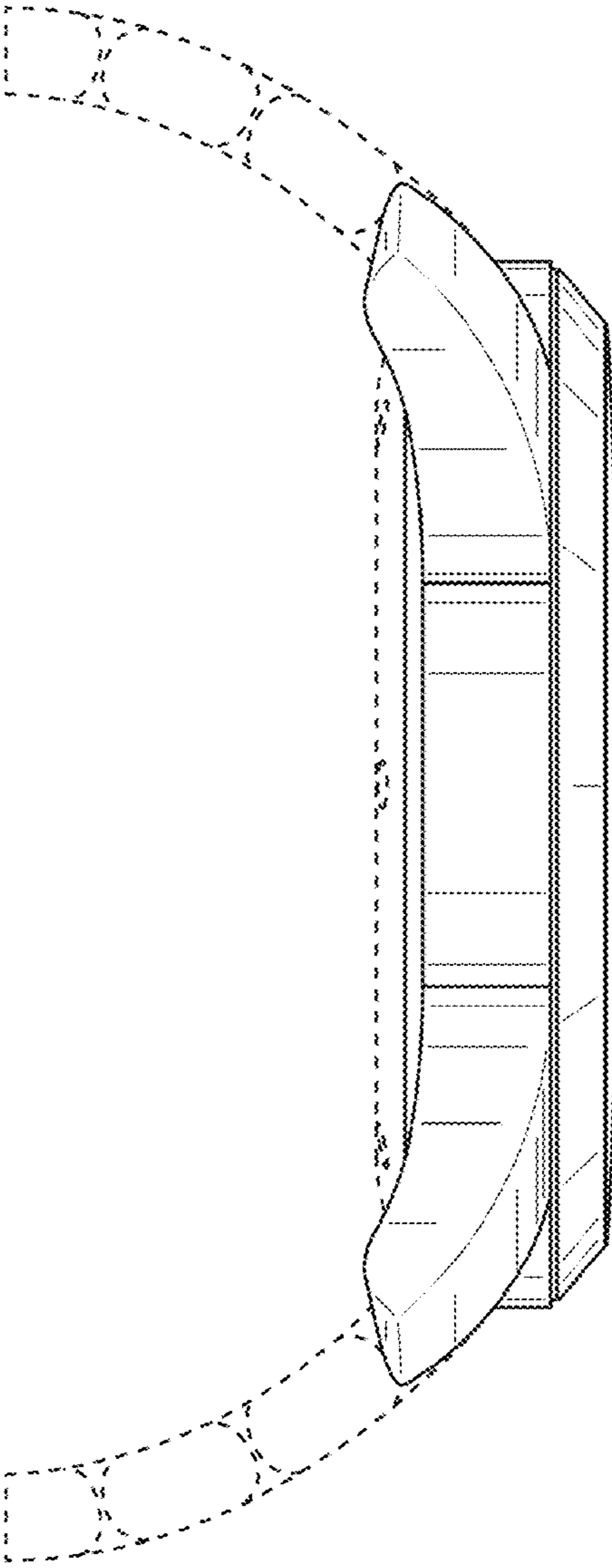


FIG.5

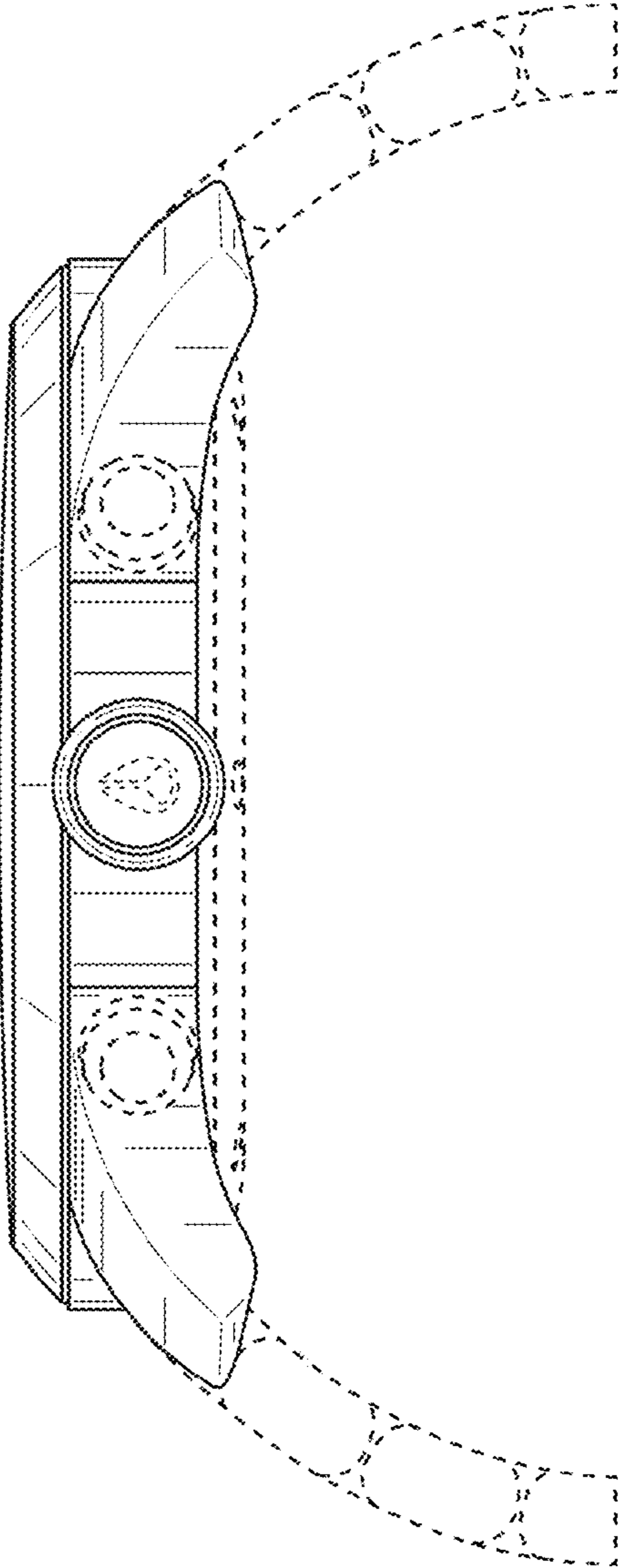


FIG.6

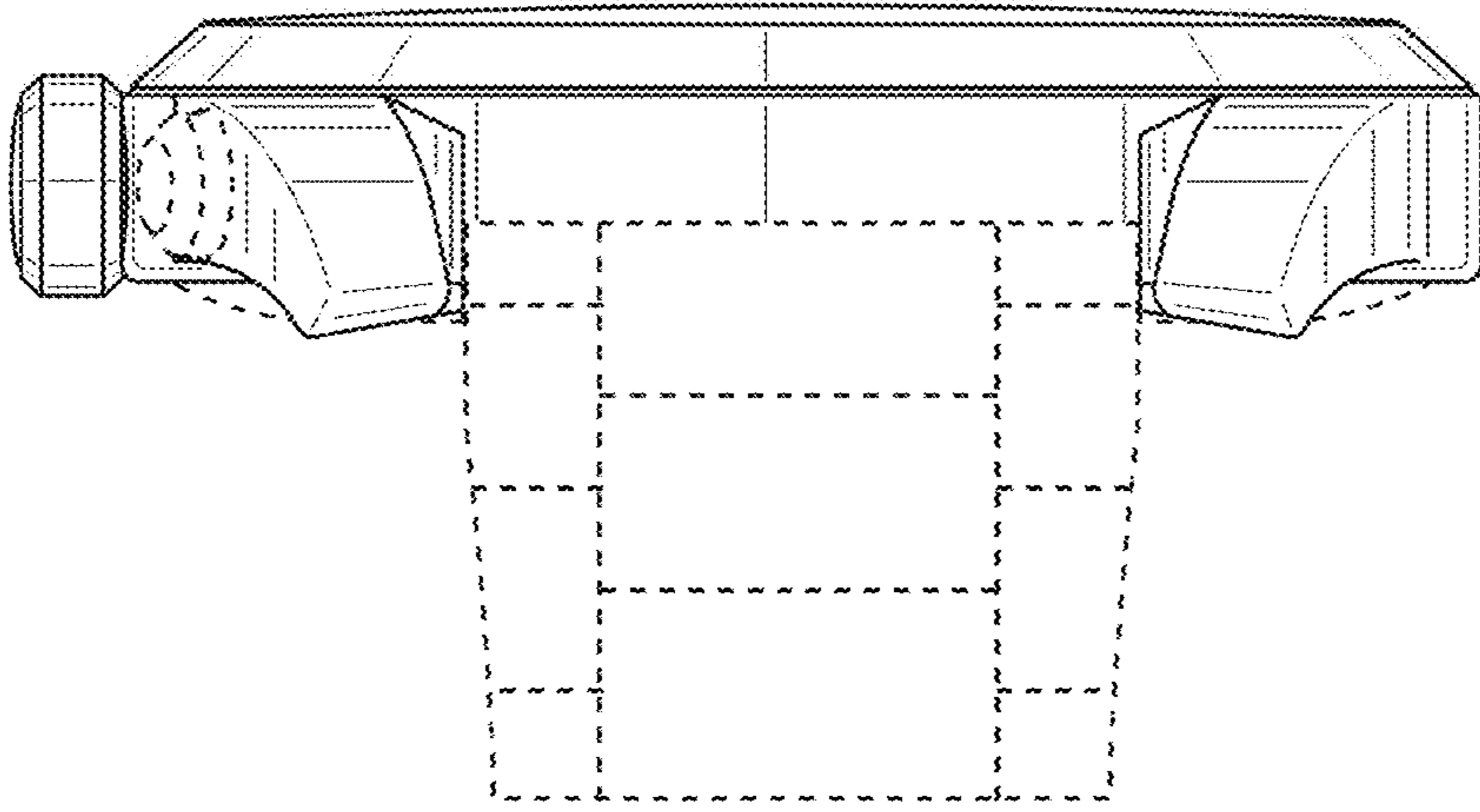


FIG.7

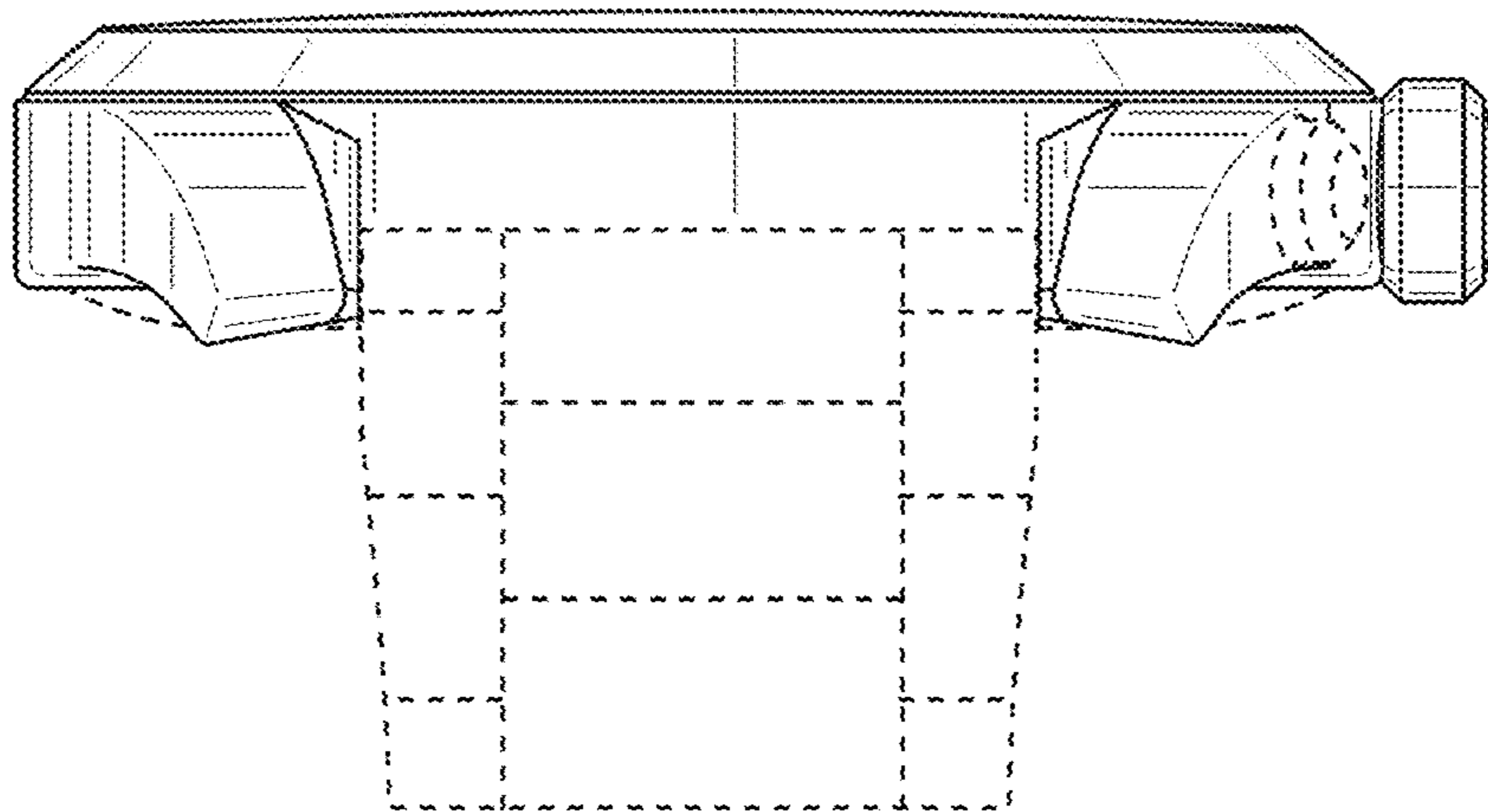


FIG.8

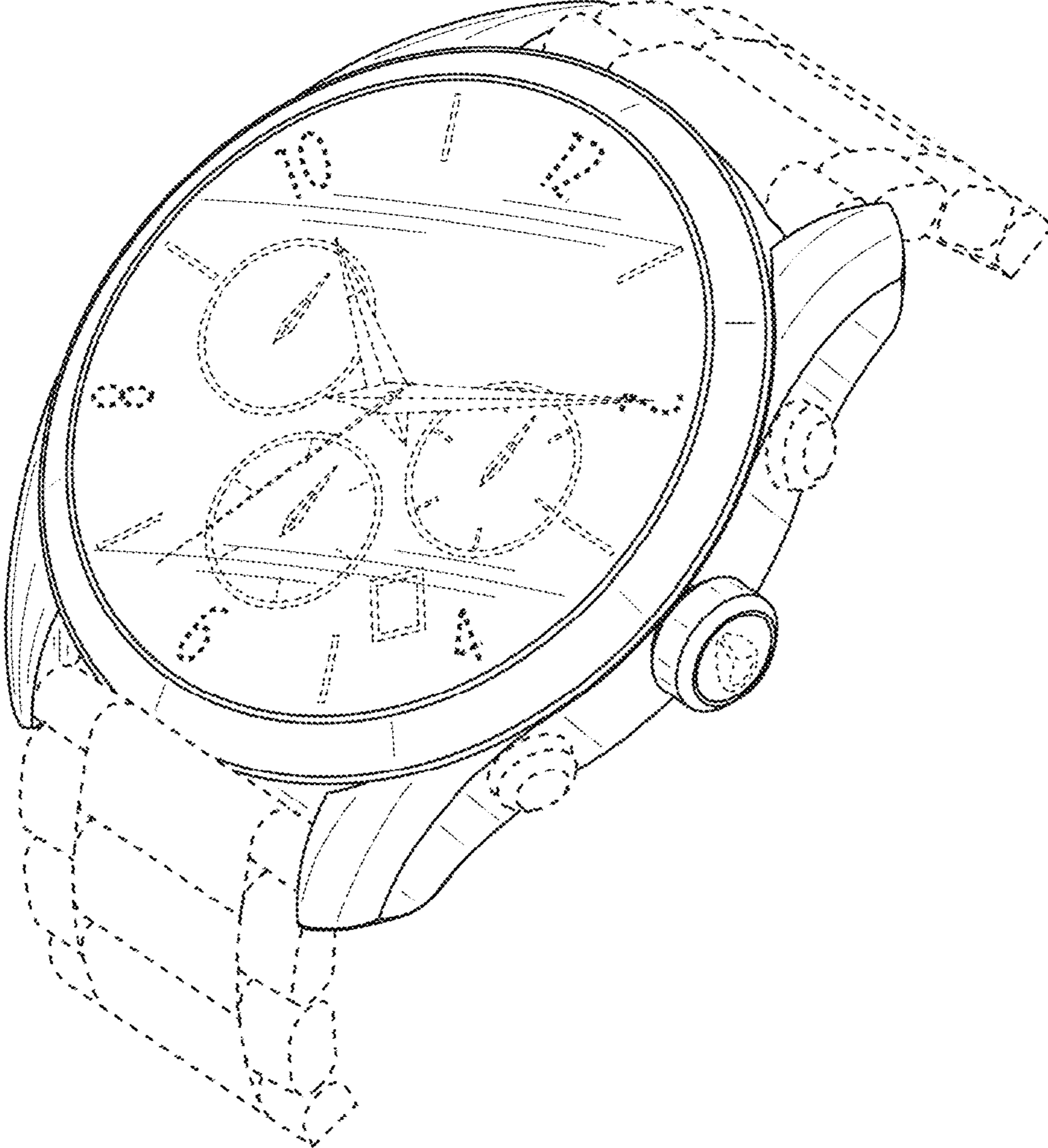


FIG.9

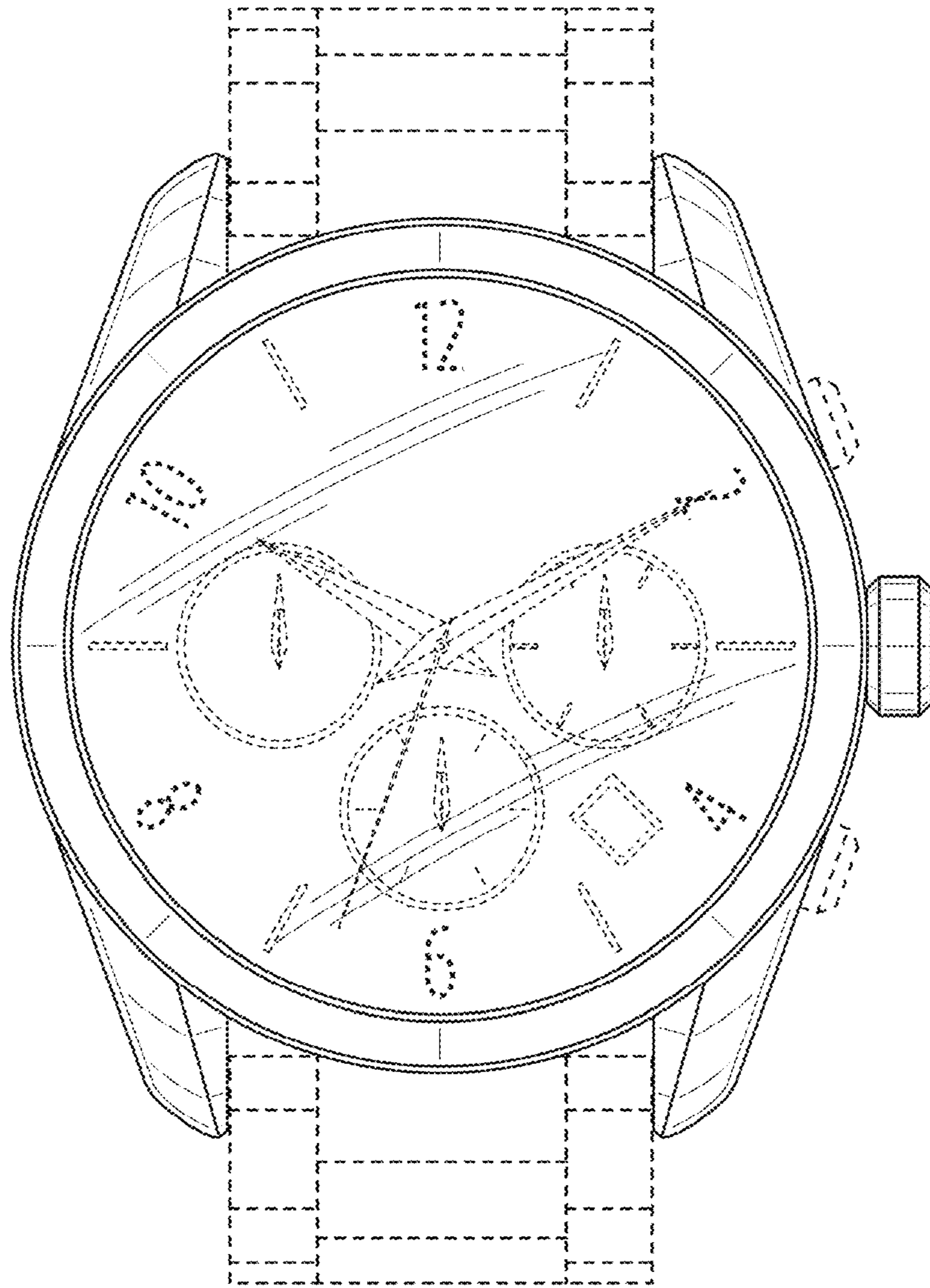


FIG. 10