



US00D749430S

(12) **United States Design Patent**  
**Abel**

(10) **Patent No.:** **US D749,430 S**  
(45) **Date of Patent:** **\*\* Feb. 16, 2016**

- (54) **DUAL CHAMBER CONTAINER**
- (71) Applicant: **Don E. Abel**, Olney, IL (US)
- (72) Inventor: **Don E. Abel**, Olney, IL (US)
- (\*\*) Term: **14 Years**
- (21) Appl. No.: **29/483,514**
- (22) Filed: **Feb. 28, 2014**
- (51) **LOC (10) Cl.** ..... **09-01**
- (52) **U.S. Cl.**  
USPC ..... **D9/740**
- (58) **Field of Classification Search**  
USPC ..... D9/684, 694, 715, 730, 737-747, 751,  
D9/752, 754, 756, 501, 516, 517, 520,  
D9/549-575, 414, 420, 423, 424, 425, 428,  
D9/434-436, 445; D24/108, 121, 176,  
D24/216-218, 220, 221, 223, 224, 226,  
D24/230; D28/76, 77, 78, 82, 86, 91;  
D3/20, 23-25, 200-202, 219, 224, 229,  
D3/254, 257, 259, 263-269, 295, 316, 901,  
D3/904, 905  
CPC ..... A61C 5/06; A61C 5/062; A61C 5/064;  
A61C 5/066; A61C 5/068; A61C 9/0026;  
B65D 81/3205; B65D 81/325; B65D 81/3283;  
B65D 21/0201; B65D 21/0206; A45C 11/005  
See application file for complete search history.

(56) **References Cited**  
U.S. PATENT DOCUMENTS

- D46,280 S \* 8/1914 Hansen ..... D9/740
- D52,821 S \* 12/1918 Gallaher ..... D9/740
- 1,767,928 A \* 6/1930 Jellison ..... A61C 5/068  
221/96
- D120,662 S \* 5/1940 Christy ..... D28/86
- D121,950 S \* 8/1940 Christy ..... D28/86
- D168,387 S \* 12/1952 Williams ..... 206/302

- 4,339,033 A \* 7/1982 Cillario ..... B65D 21/0206  
206/216
- D275,367 S \* 9/1984 Holewinski ..... D24/223
- 4,674,658 A \* 6/1987 Van Brocklin ..... A61C 5/064  
137/576
- 4,753,536 A \* 6/1988 Spehar ..... A61C 5/062  
222/137
- D316,449 S \* 4/1991 D'Aquino ..... D24/226
- D316,653 S \* 5/1991 Spencer ..... D7/510
- D325,638 S \* 4/1992 Sloat ..... D24/224
- 5,280,834 A \* 1/1994 Berkley ..... A45C 11/005  
116/309
- D353,995 S \* 1/1995 Foster ..... D9/734
- 5,546,996 A \* 8/1996 Broyles ..... A61C 5/064  
141/100
- D566,388 S \* 4/2008 Nevins ..... D3/263
- 8,016,161 B2 \* 9/2011 Pierson ..... A61C 5/062  
222/137
- D667,038 S \* 9/2012 Goddard ..... D16/200
- 8,567,620 B2 \* 10/2013 Ettlin ..... B65D 47/0828  
215/40
- 8,690,012 B2 \* 4/2014 Stoeckli ..... B01F 5/0615  
222/145.5

\* cited by examiner

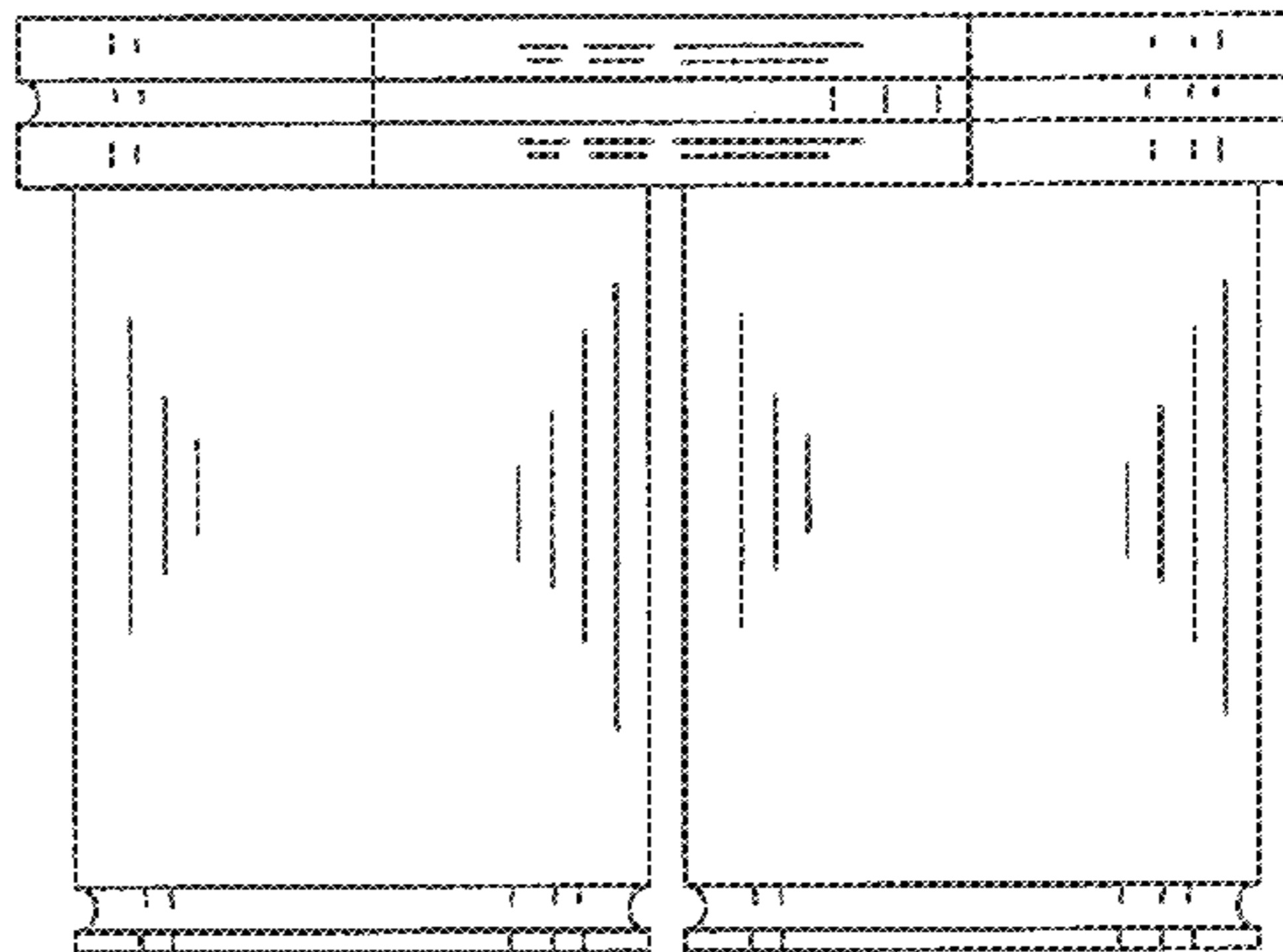
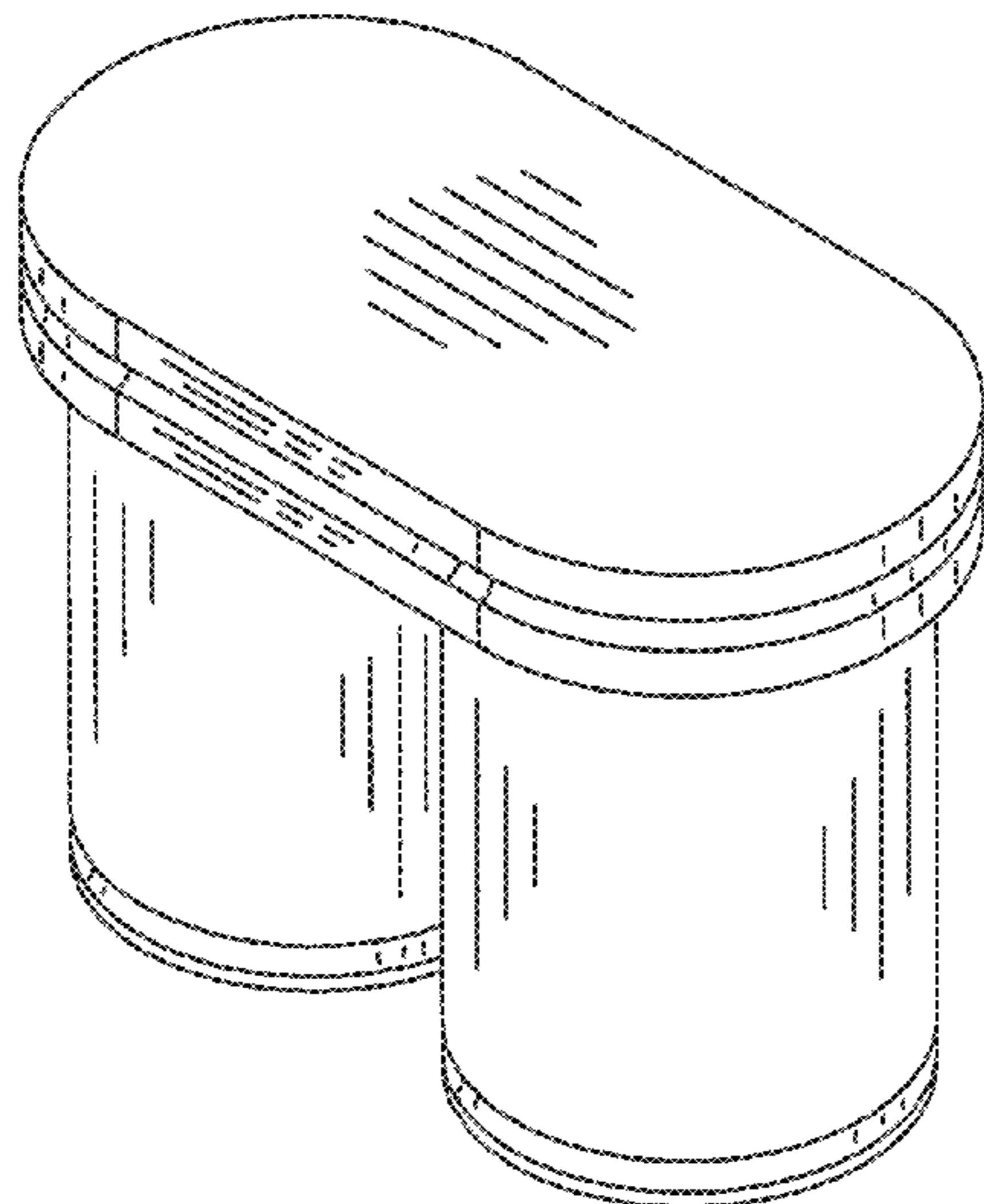
*Primary Examiner* — Catherine Tuttle  
(74) *Attorney, Agent, or Firm* — Gary K. Price

(57) **CLAIM**  
The ornamental design for the dual chamber container, as shown and described.

**DESCRIPTION**

FIG. 1 is a top and side perspective view showing my new design;  
FIG. 2 is another top and side perspective view thereof;  
FIG. 3 is a bottom view thereof;  
FIG. 4 is a side view thereof;  
FIG. 5 is a top view thereof; and,  
FIG. 6 is a bottom perspective view thereof.

**1 Claim, 6 Drawing Sheets**



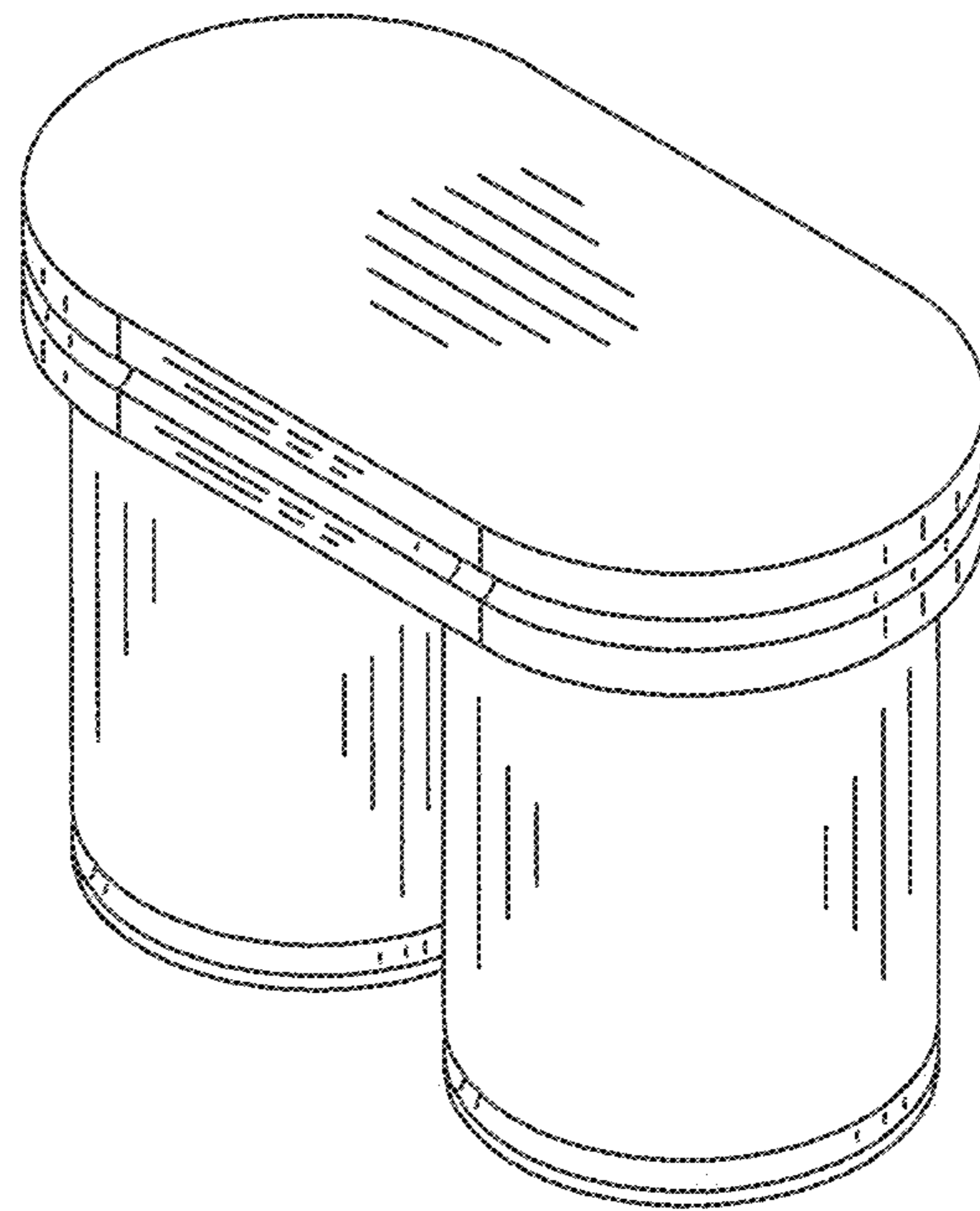


FIG. 1

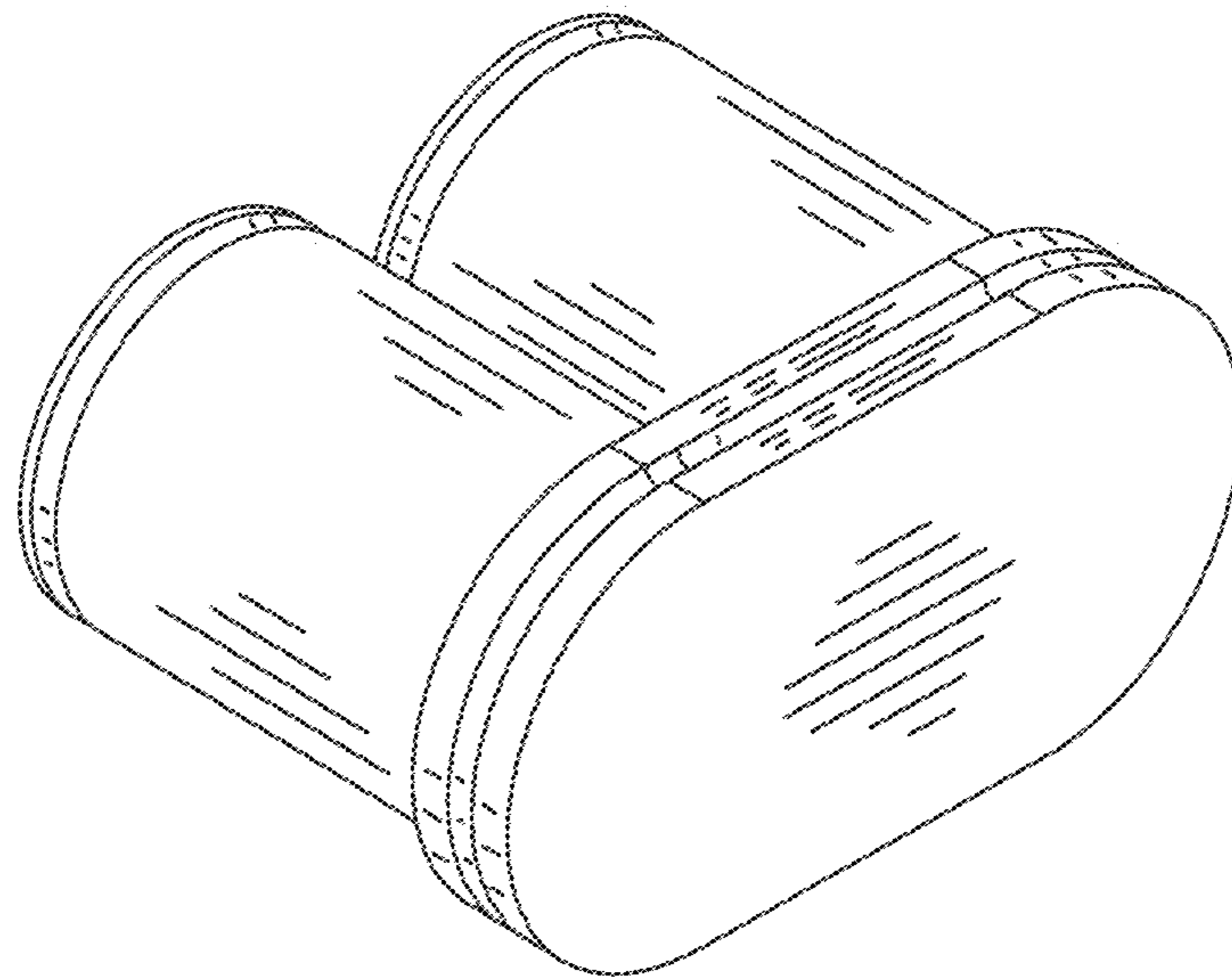


FIG. 2

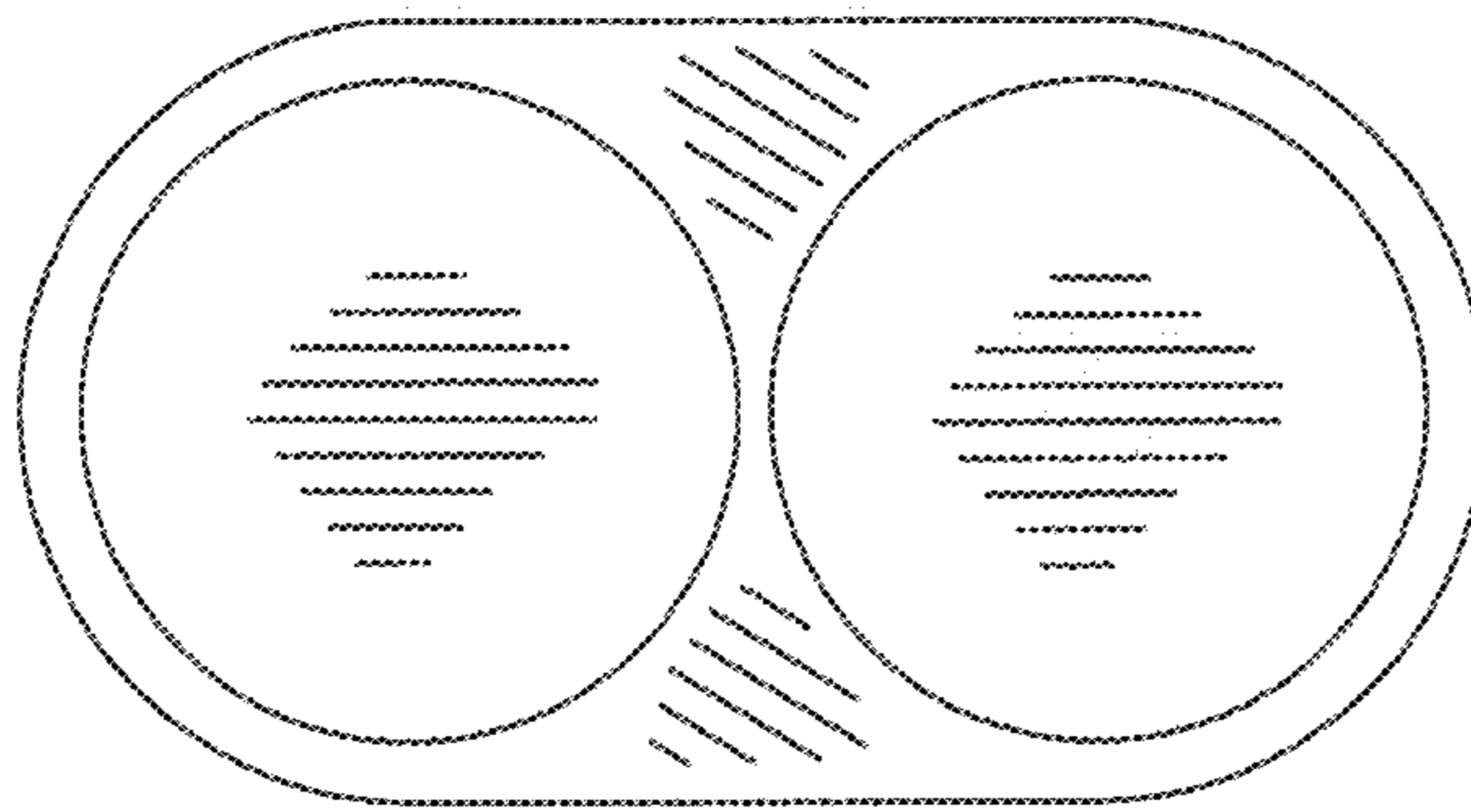


FIG. 3

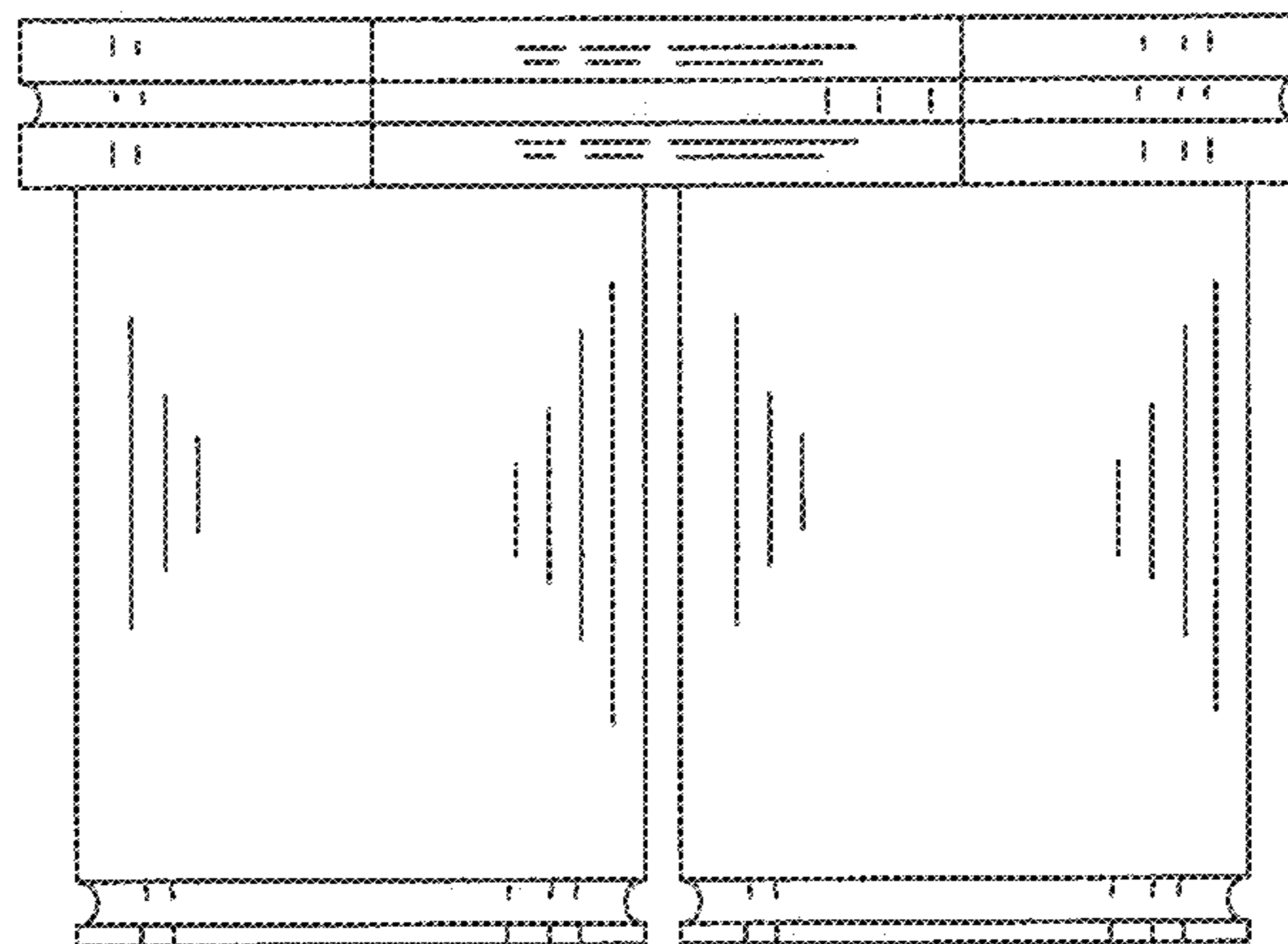


FIG. 4

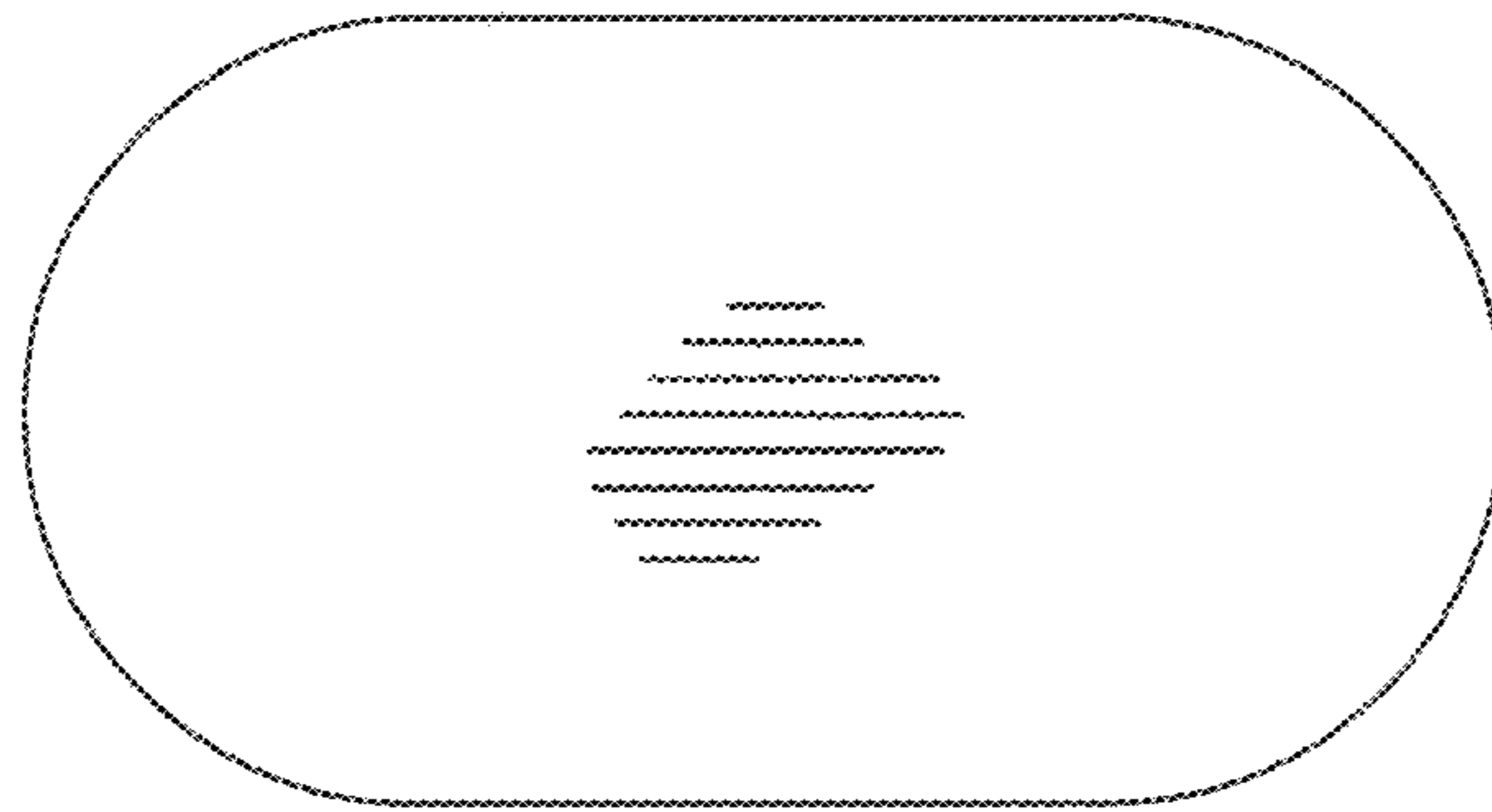


FIG. 5

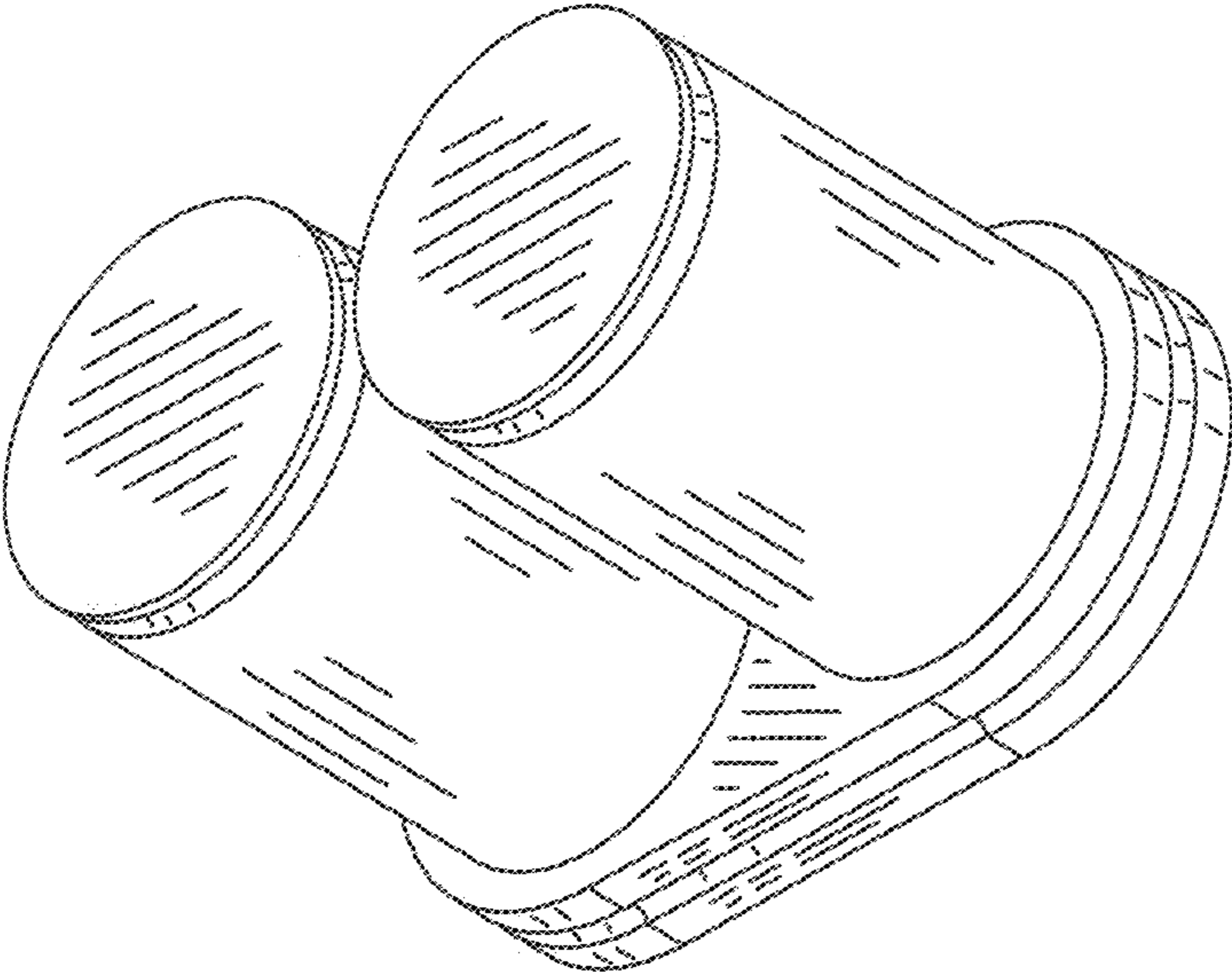


FIG. 6