

US00D749426S

(12) **United States Design Patent**  
**Cross et al.**

(10) **Patent No.:** **US D749,426 S**  
(45) **Date of Patent:** **\*\* Feb. 16, 2016**

- (54) **CLOSED TOP PLANTER BAG**
- (71) Applicants: **John M. Cross**, Santa Fe, NM (US);  
**Sattva Ananda**, Santa Fe, NM (US)
- (72) Inventors: **John M. Cross**, Santa Fe, NM (US);  
**Sattva Ananda**, Santa Fe, NM (US)
- (\*\*) Term: **14 Years**
- (21) Appl. No.: **29/498,161**
- (22) Filed: **Jul. 31, 2014**
- (51) **LOC (10) Cl.** ..... **09-05**
- (52) **U.S. Cl.**  
USPC ..... **D9/702**
- (58) **Field of Classification Search**  
USPC ..... D9/702-714; 47/65.8, 65.5, 67, 39,  
47/41.01, 66.7; 220/23.88, 23.83;  
428/34.1, 34.3; D8/1; D34/1; 206/423,  
206/278, 286; 383/6-7, 9-10, 12, 15, 19,  
383/24, 26, 33, 46-47, 127  
CPC ..... A01G 9/026; B65D 85/52; A45C 3/04  
See application file for complete search history.

7,815,372	B2 *	10/2010	Stanton et al.	.....	383/104
7,845,112	B2 *	12/2010	Felknor	.....	47/65.8
7,988,681	B2 *	8/2011	McGarity et al.	.....	604/317
D679,531	S *	4/2013	Nelson et al.	.....	D6/556
8,474,182	B2 *	7/2013	Felknor et al.	.....	47/67
8,826,590	B2 *	9/2014	Cross et al.	.....	47/65.8

\* cited by examiner

*Primary Examiner* — Karen E Kearney

*Assistant Examiner* — Abraham Bahta

(74) *Attorney, Agent, or Firm* — Gina Tassotti Constant, Esq.

(57) **CLAIM**

We claim the ornamental design for a closed top planter bag, as shown.

**DESCRIPTION**

FIG. 1 is a front perspective view of the closed top planter bag showing our new design;  
FIG. 2 is a front view thereof;  
FIG. 3 is rear view thereof;  
FIG. 4 is a right side view thereof;  
FIG. 5 is a left side view thereof;  
FIG. 6 is a top view thereof; and,  
FIG. 7 is a bottom view thereof.

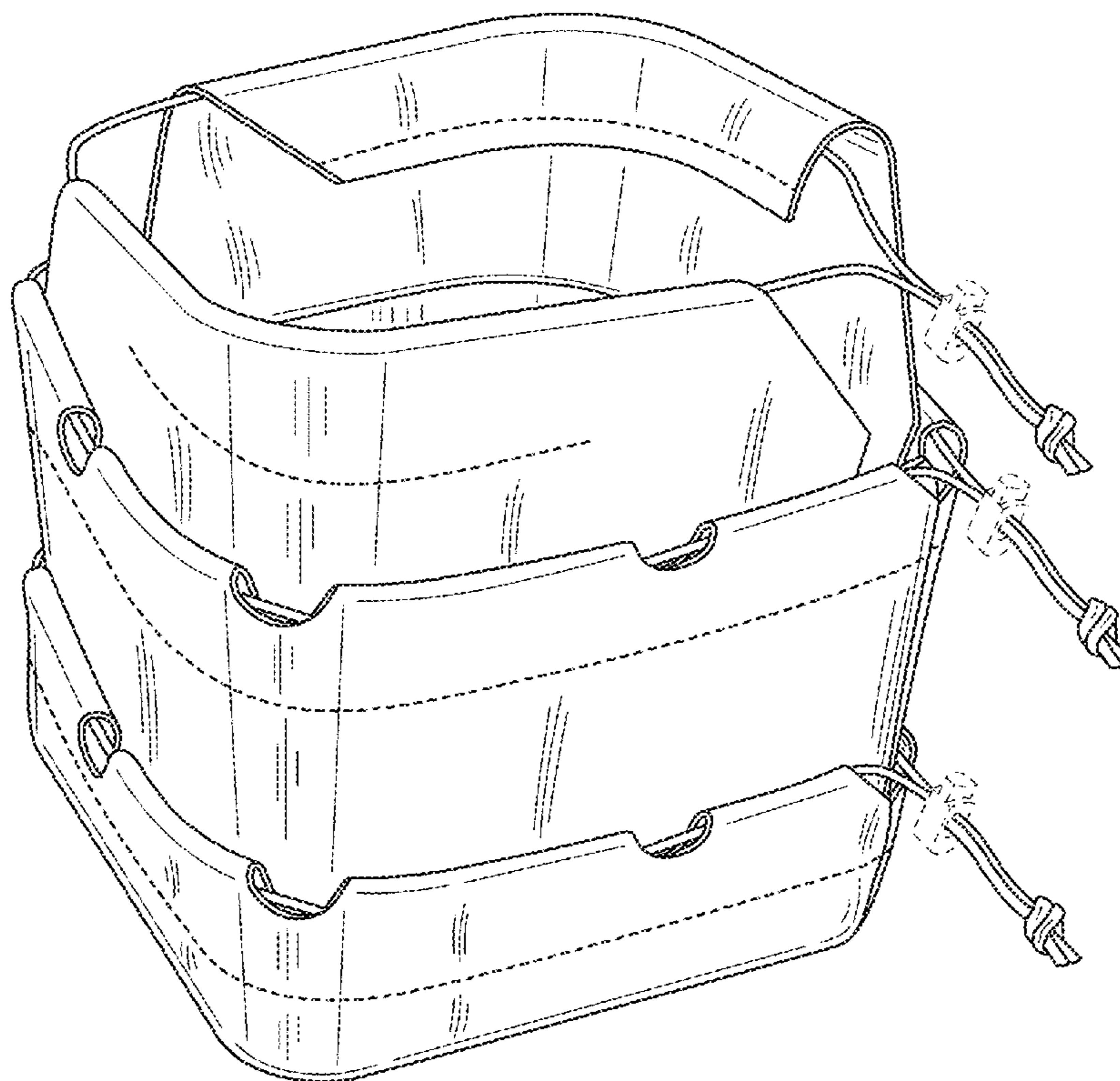
The broken lines showing are included for the purpose of illustrating of portions of the closed top planter bag and form no part of the claimed design.

**1 Claim, 7 Drawing Sheets**

(56) **References Cited**

**U.S. PATENT DOCUMENTS**

3,977,450	A *	8/1976	Schampier	.....	383/7
D363,896	S *	11/1995	Bergmann	.....	D11/148
6,298,600	B1 *	10/2001	Feldman	.....	47/67



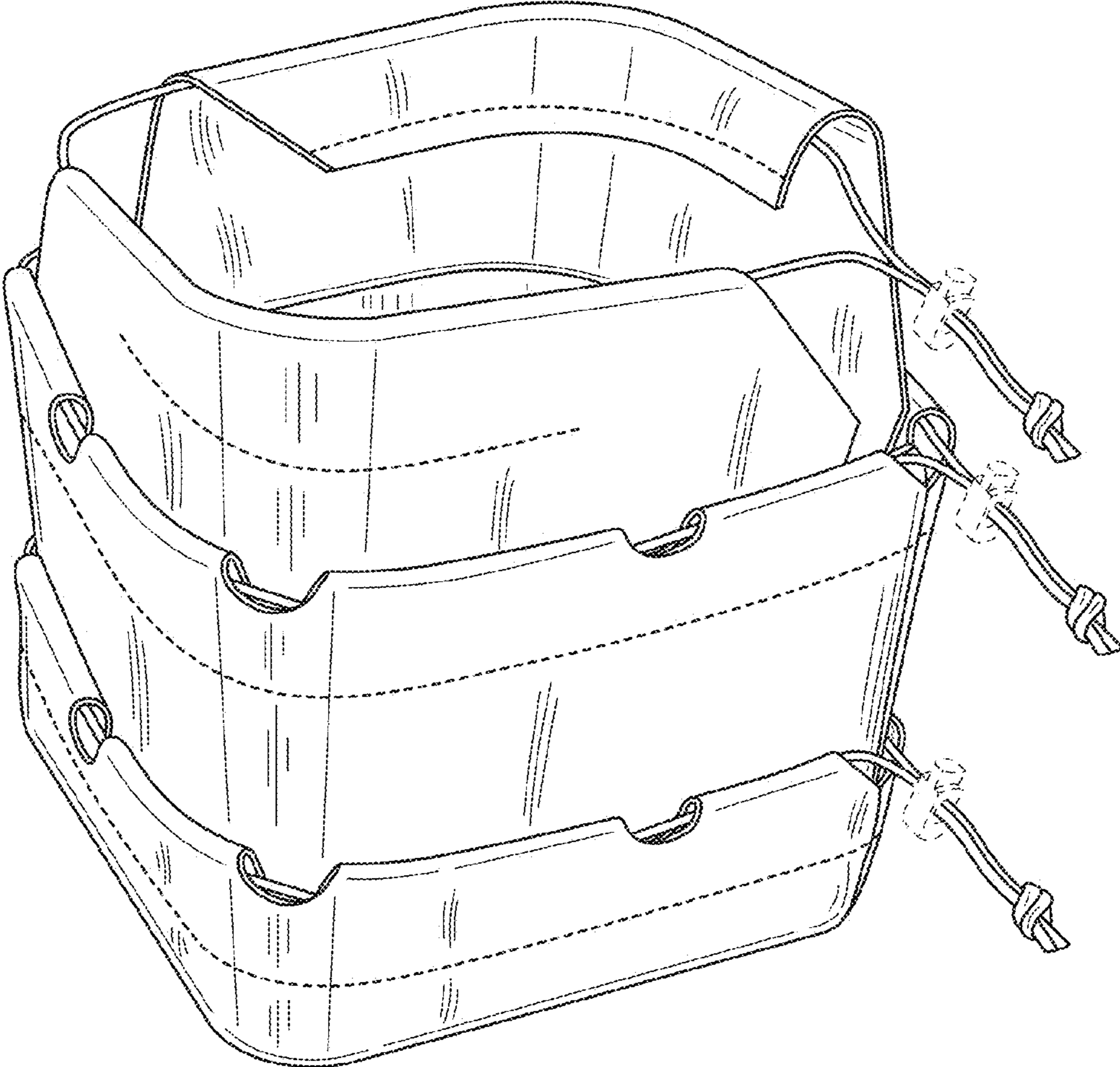


FIG.1

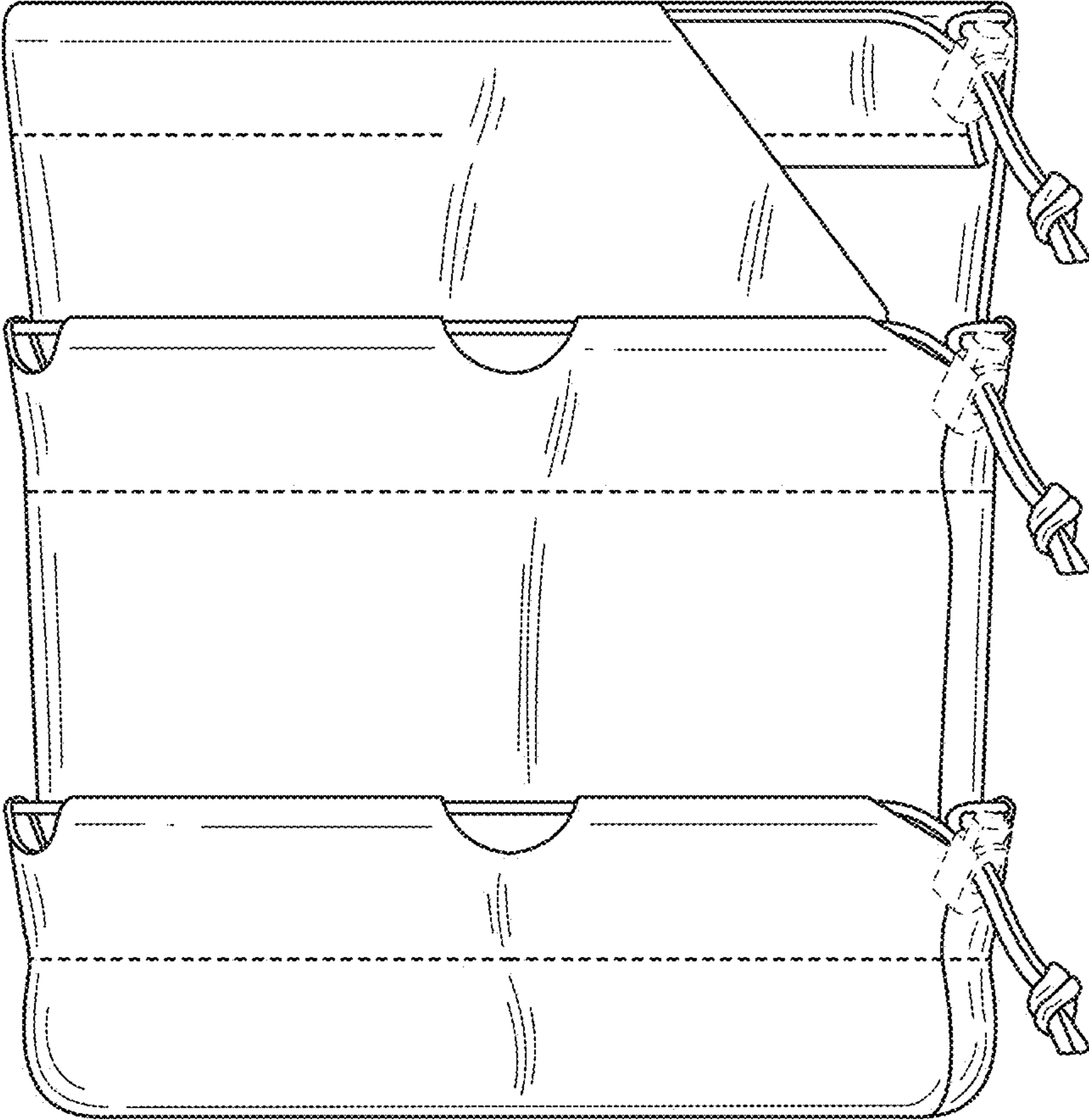


FIG.2

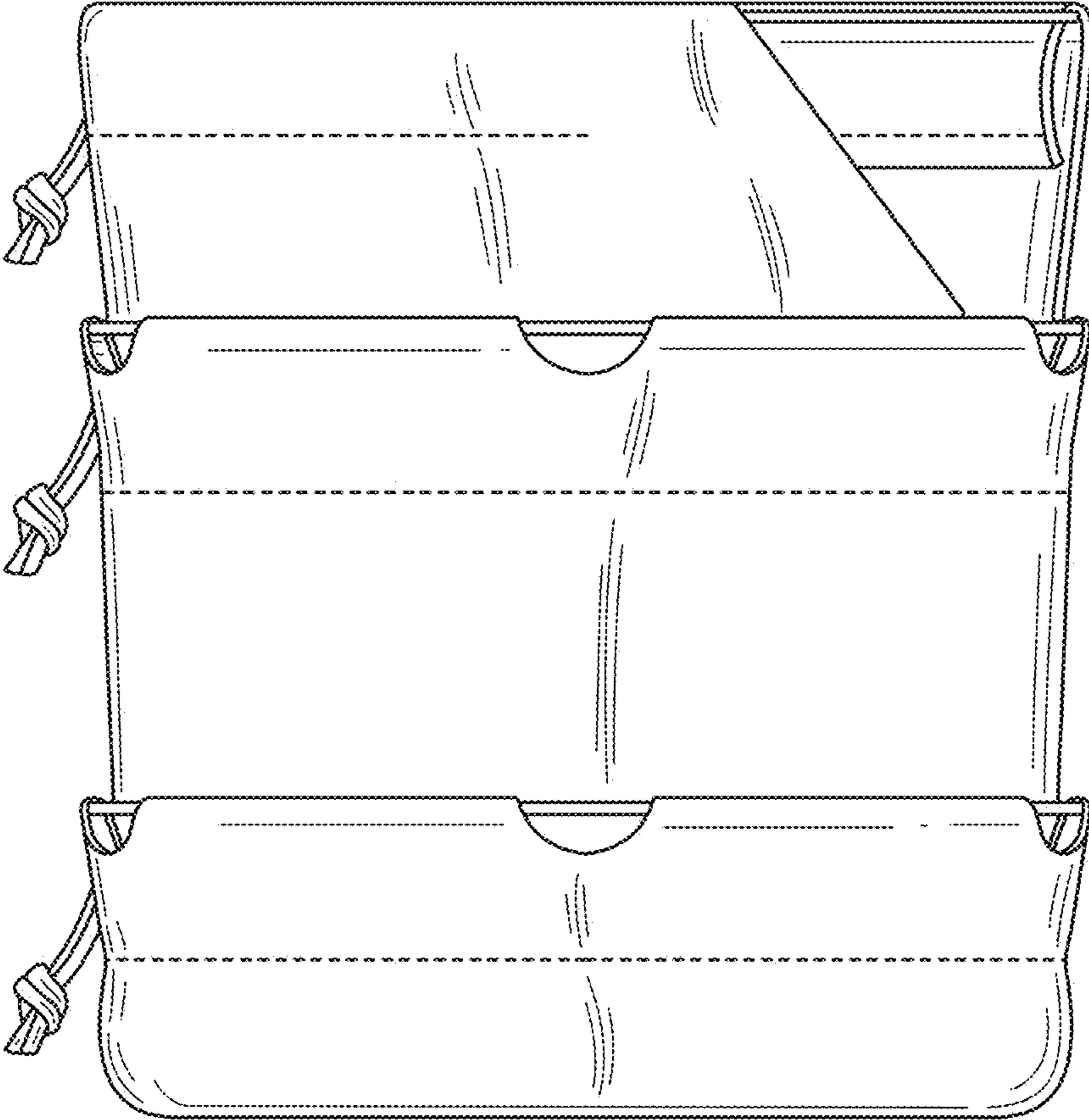


FIG.3

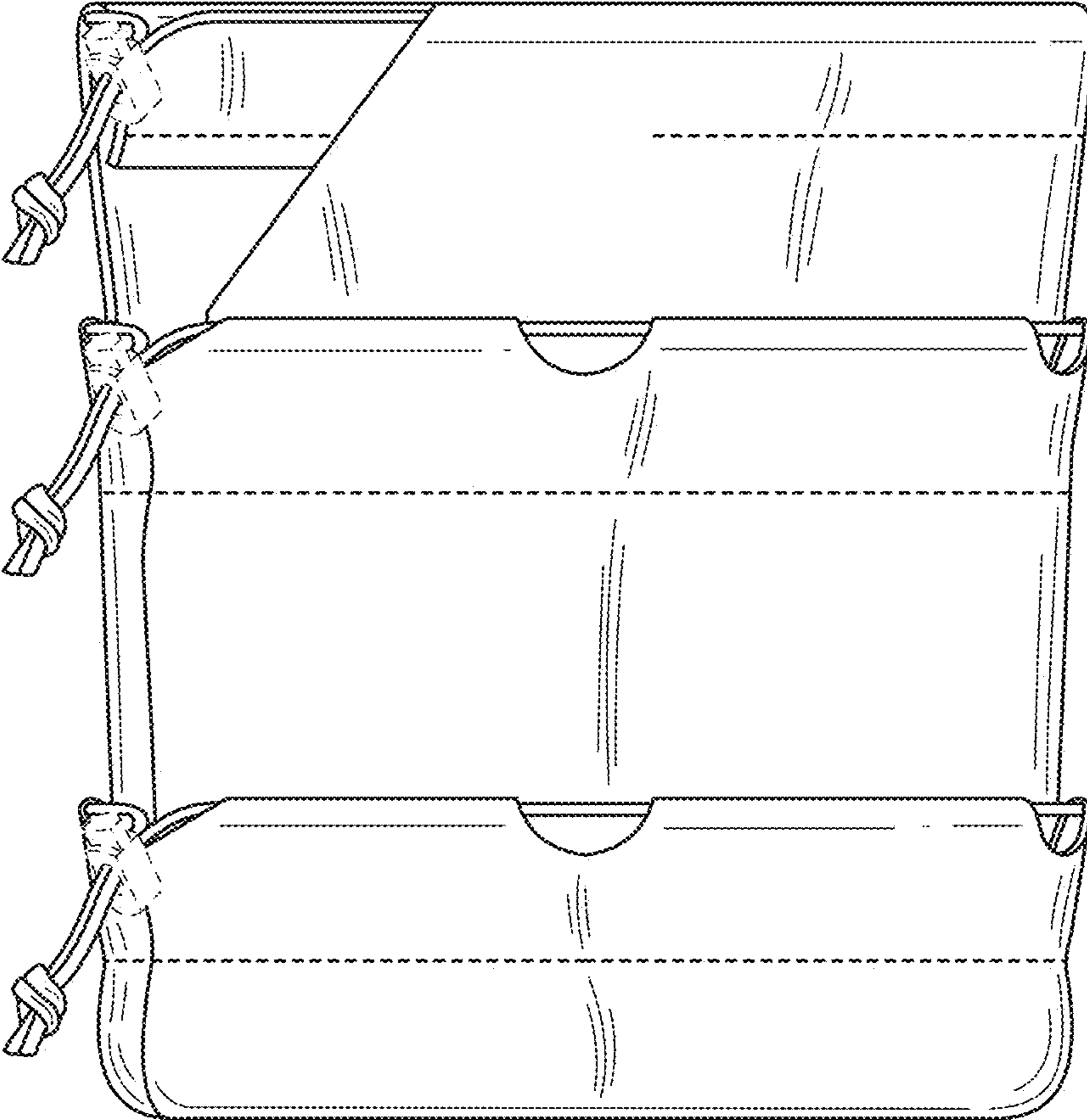


FIG.4

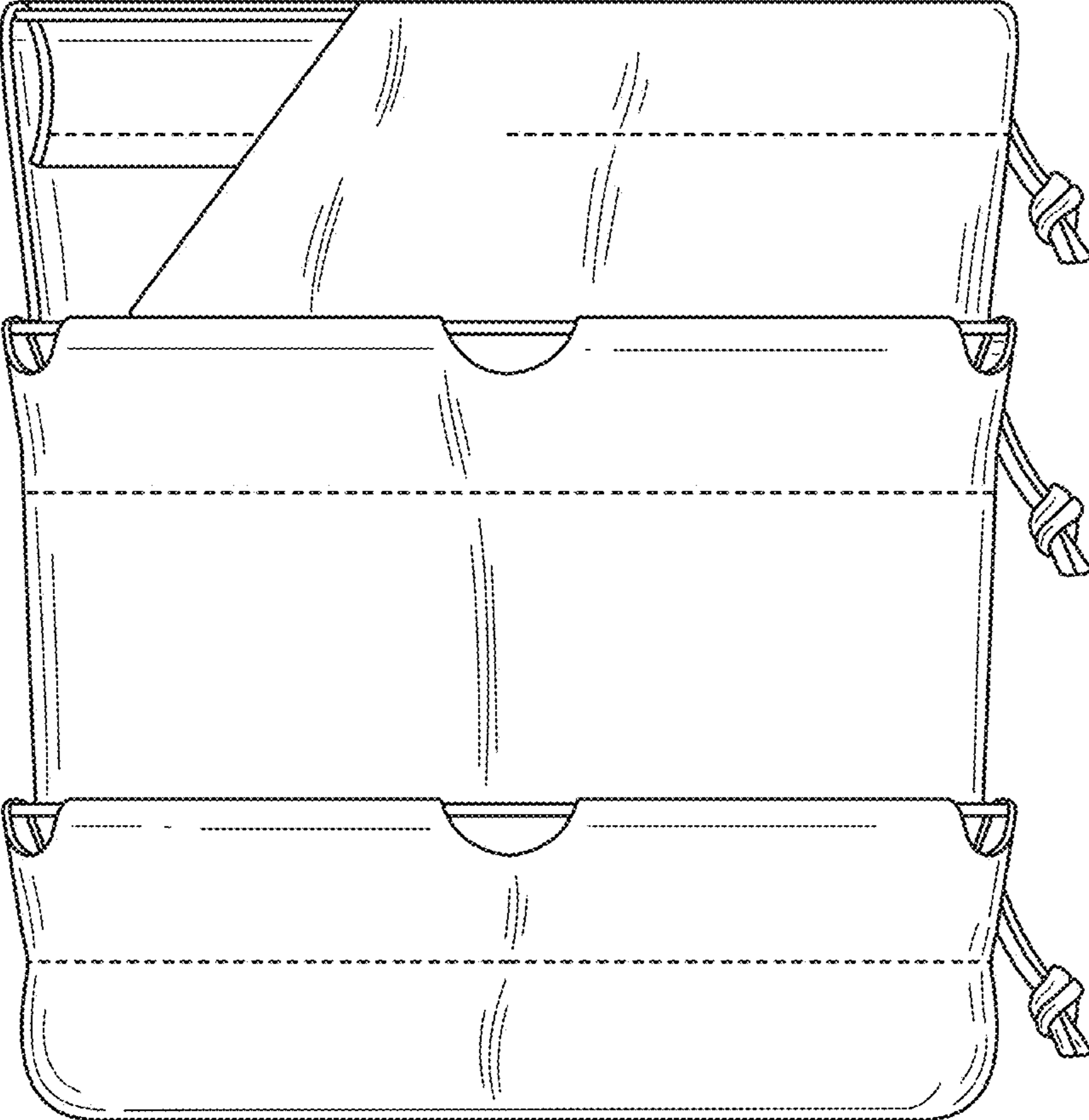


FIG.5

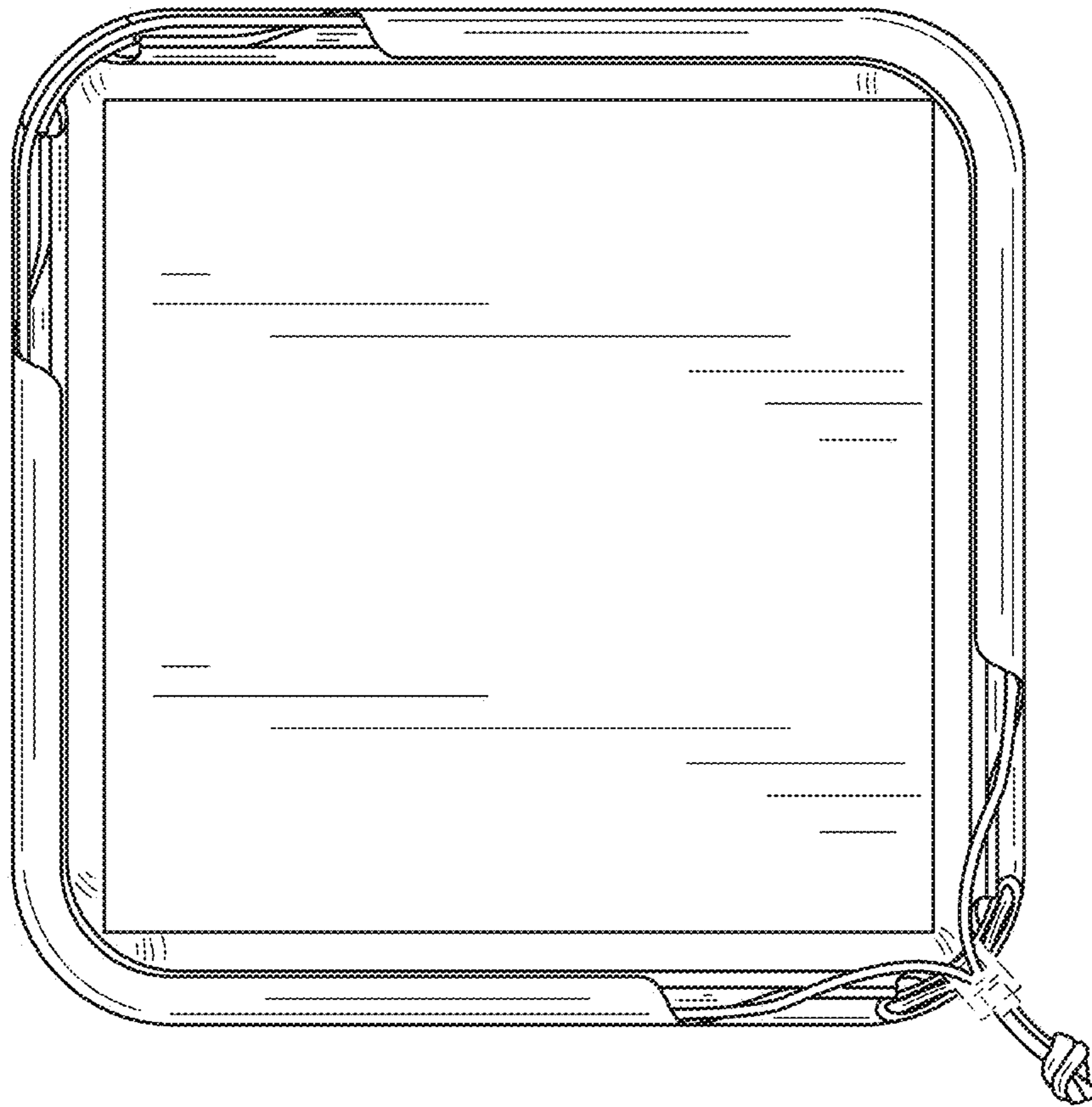


FIG.6

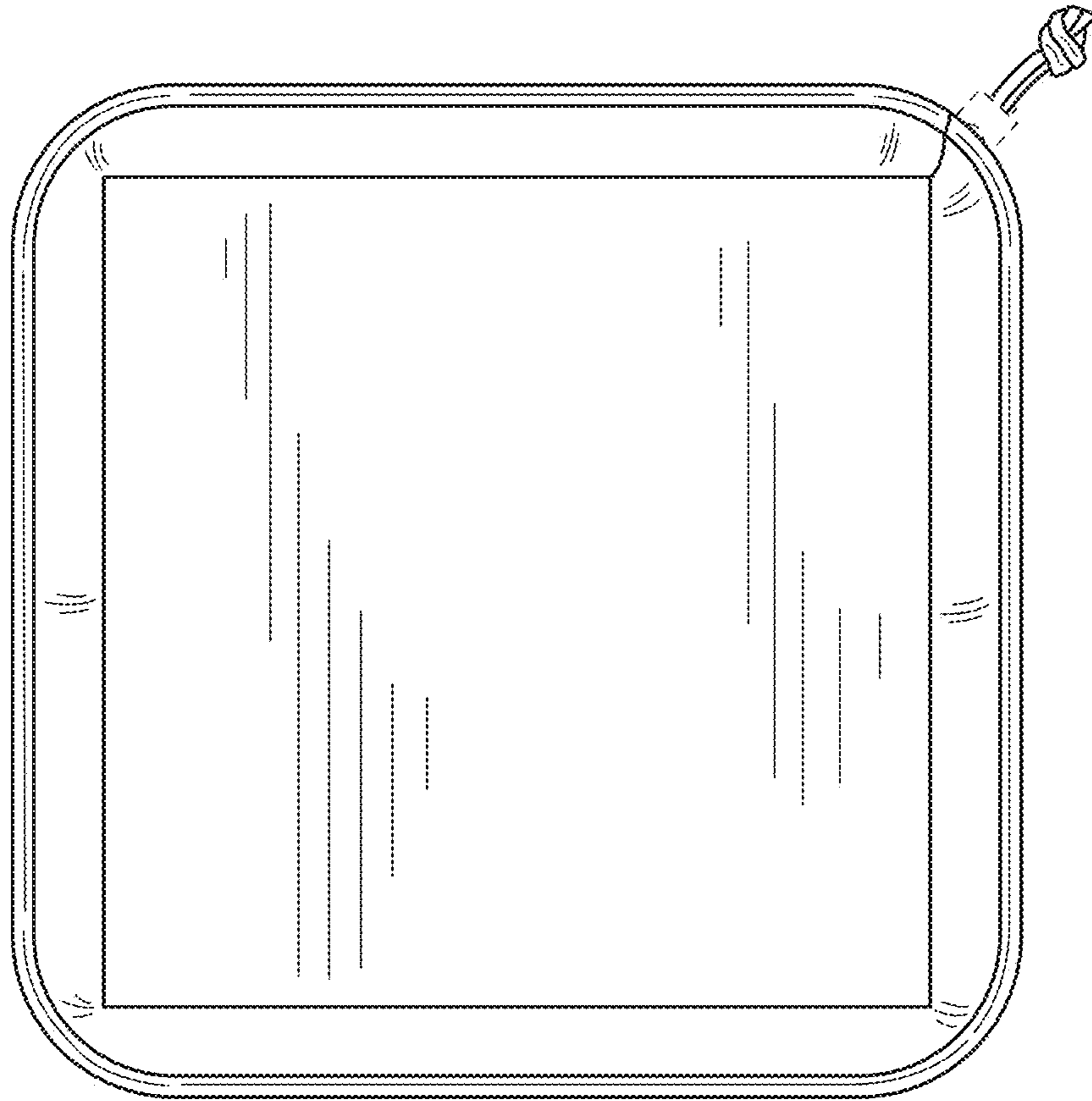


FIG.7



UNITED STATES PATENT AND TRADEMARK OFFICE  
**CERTIFICATE OF CORRECTION**

PATENT NO. : D749,426 S  
APPLICATION NO. : 29/498161  
DATED : February 16, 2016  
INVENTOR(S) : Cross et al.

Page 1 of 1

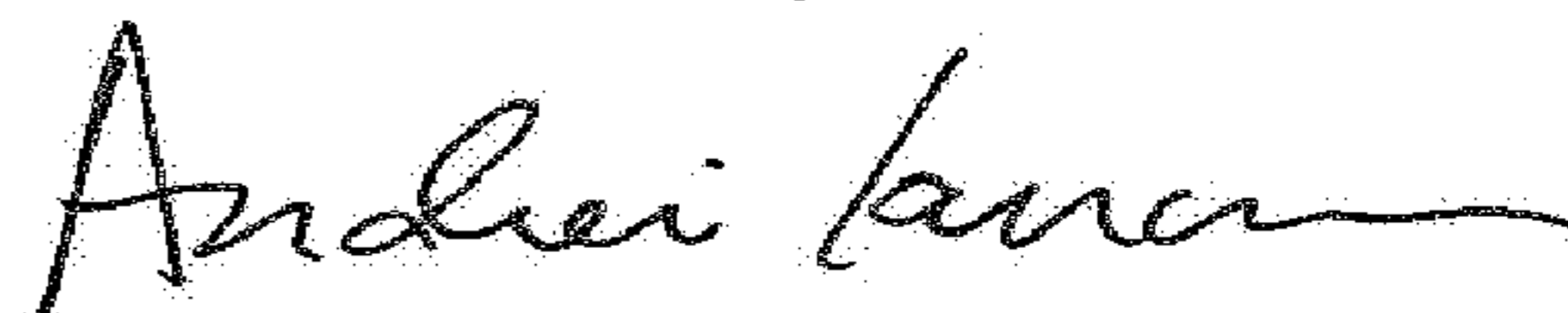
It is certified that error appears in the above-identified patent and that said Letters Patent is hereby corrected as shown below:

On the Title Page

Item (72) Inventors: should read as follows:

Inventors: Cross, John M. (Santa Fe, NM), Ananda, Sattva (Santa Fe, NM) and Hamilton, Russell G.  
(Santa Fe, NM)

Signed and Sealed this  
Nineteenth Day of June, 2018



Andrei Iancu  
*Director of the United States Patent and Trademark Office*