



US00D749423S

(12) **United States Design Patent**
Daniel et al.

(10) **Patent No.:** **US D749,423 S**
(45) **Date of Patent:** **** Feb. 16, 2016**

(54) **BOTTLE**

(71) Applicant: **The Coca-Cola Company**, Atlanta, GA (US)

(72) Inventors: **Simon Alan Daniel**, London (GB);
Robert Christopher Young, London (GB); **Thomas Vaubourgeix**, London (GB); **Sterling Steward**, Douglasville, GA (US)

(73) Assignee: **The Coca-Cola Company**, Atlanta, GA (US)

(**) Term: **14 Years**

(21) Appl. No.: **29/492,379**

(22) Filed: **May 30, 2014**

(51) **LOC (10) Cl.** **09-01**

(52) **U.S. Cl.**
USPC **D9/539**; D9/552; D9/558

(58) **Field of Classification Search**
USPC D9/500–505, 682–694, 516–521,
D9/537–547, 549–558, 562–575
CPC B65D 1/00; B65D 1/0223; B65D 1/0261;
B65D 1/40; B65D 1/42; B65D 1/44; B65D
1/48; B65D 2501/0027; B65D 2501/0036;
B65D 2501/0045; B65D 2501/0081; B65D
23/00; B65D 23/102; B65D 79/005; B65D
1/02; B65D 1/0207; B65D 1/0215; B65D
1/0276; B65D 1/0284; B65D 1/0292; B65D
2501/0018; B65D 2203/00

See application file for complete search history.

(56) **References Cited**

U.S. PATENT DOCUMENTS

D209,715 S * 12/1967 Ninesling D9/539
D390,468 S * 2/1998 Ito D9/503
D410,197 S * 5/1999 Herrin D9/502
D448,670 S * 10/2001 Bretz D9/520
D455,351 S * 4/2002 Bailey D9/502
D461,417 S * 8/2002 Jerome D9/537

D467,179 S * 12/2002 Nelson D9/503
D479,999 S * 9/2003 Moore D9/500
D497,549 S * 10/2004 Maskell D9/500
D501,404 S * 2/2005 Dalton D9/500
7,077,279 B2 * 7/2006 Melrose B65D 1/0223
215/381

(Continued)

FOREIGN PATENT DOCUMENTS

GB 3020439 * 9/2005
GB 3020440 * 9/2005

Primary Examiner — Catherine Tuttle

(74) *Attorney, Agent, or Firm* — Parks Wood LLC; Collen A. Beard, Esq.

(57) **CLAIM**

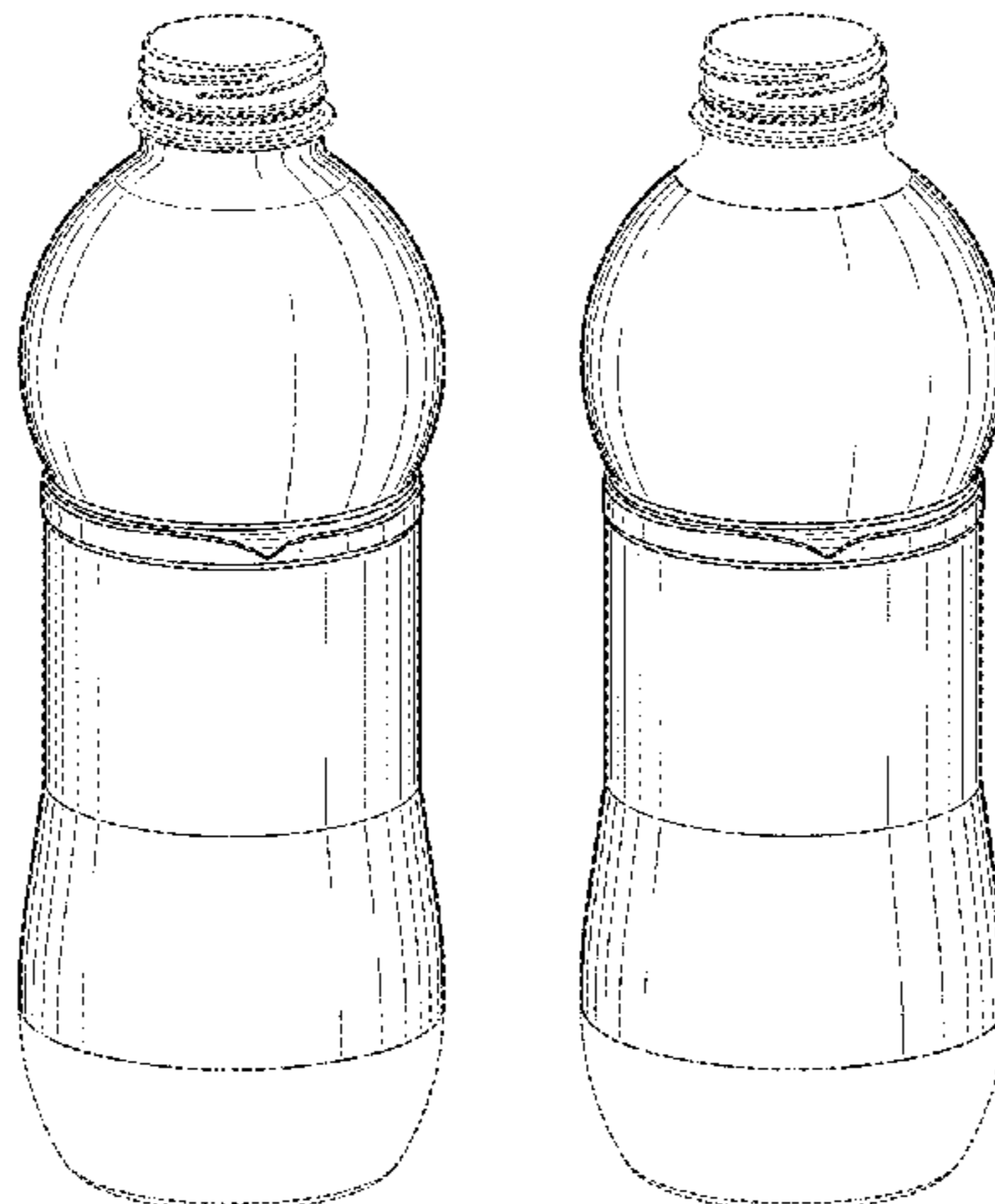
We claim the ornamental design for a bottle, as shown and described.

DESCRIPTION

FIG. 1 is a perspective view of one embodiment of a bottle in accordance with our new design;
FIG. 2 is a right view thereof;
FIG. 3 is a left view thereof;
FIG. 4 is a front view thereof;
FIG. 5 is a back view thereof;
FIG. 6 is a top view thereof;
FIG. 7 is a bottom view thereof.
FIG. 8 is a perspective view of another embodiment of a bottle in accordance with our new design;
FIG. 9 is a right view thereof;
FIG. 10 is a left view thereof;
FIG. 11 is a front view thereof;
FIG. 12 is a back view thereof;
FIG. 13 is a top view thereof; and,
FIG. 14 is a bottom view thereof.

The uneven-length broken lines represent unclaimed boundaries of the claimed design. The even-length broken lines showing the remainder of the bottle are for environmental purposes only and form no part of the claimed design.

1 Claim, 8 Drawing Sheets



(56)

References Cited

U.S. PATENT DOCUMENTS

7,347,339	B2 *	3/2008	Bangi	B65D 1/0223	215/381
D571,214	S *	6/2008	Caszatt	D9/502	
D582,781	S *	12/2008	Miller	D9/520	
D585,293	S *	1/2009	Honkawa	D9/501	
D593,811	S *	6/2009	Carreno	D7/608	
D608,203	S *	1/2010	Yourist	D9/502	
D608,209	S *	1/2010	Lepoitevin	D9/538	
D645,351	S *	9/2011	McMillan	D9/502	
8,171,701	B2 *	5/2012	Kelley	B65B 61/24	215/381
8,870,006	B2 *	10/2014	Kamineni	B65D 1/0223	215/381
D721,586	S *	1/2015	Sharpe	D9/500	
8,950,611	B2 *	2/2015	Derrien	B65D 1/0276	215/373

* cited by examiner

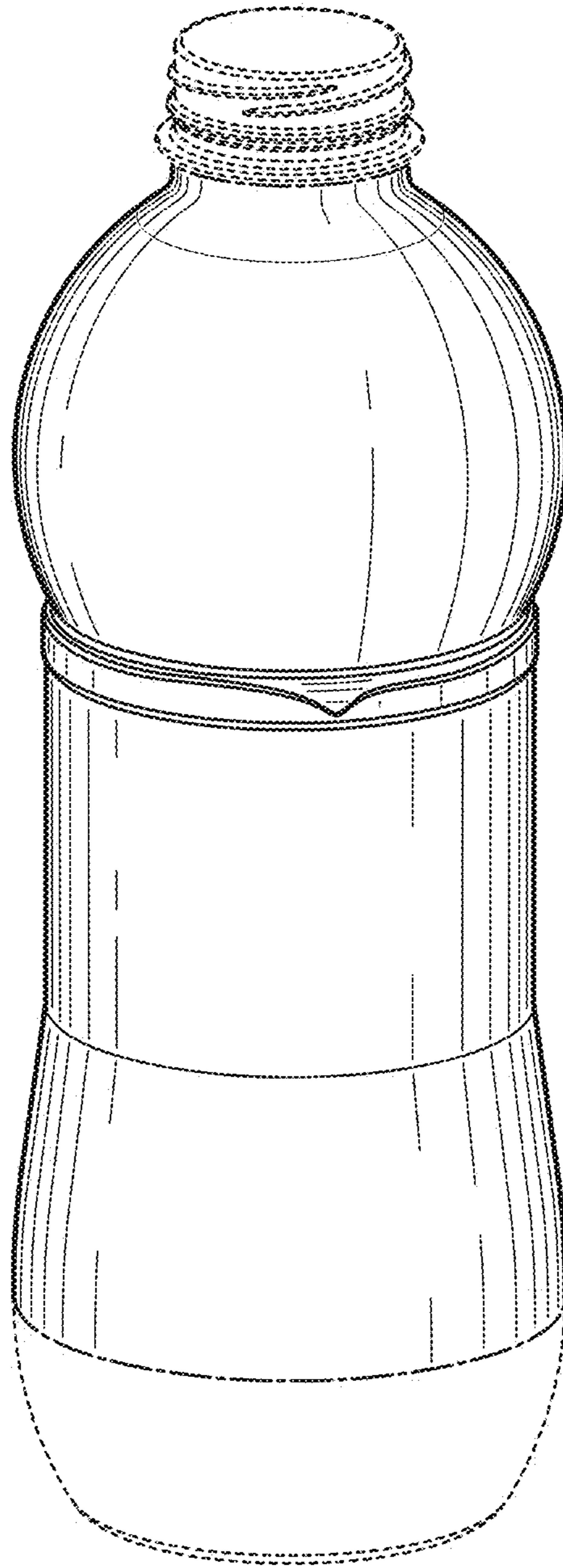


FIG. 1

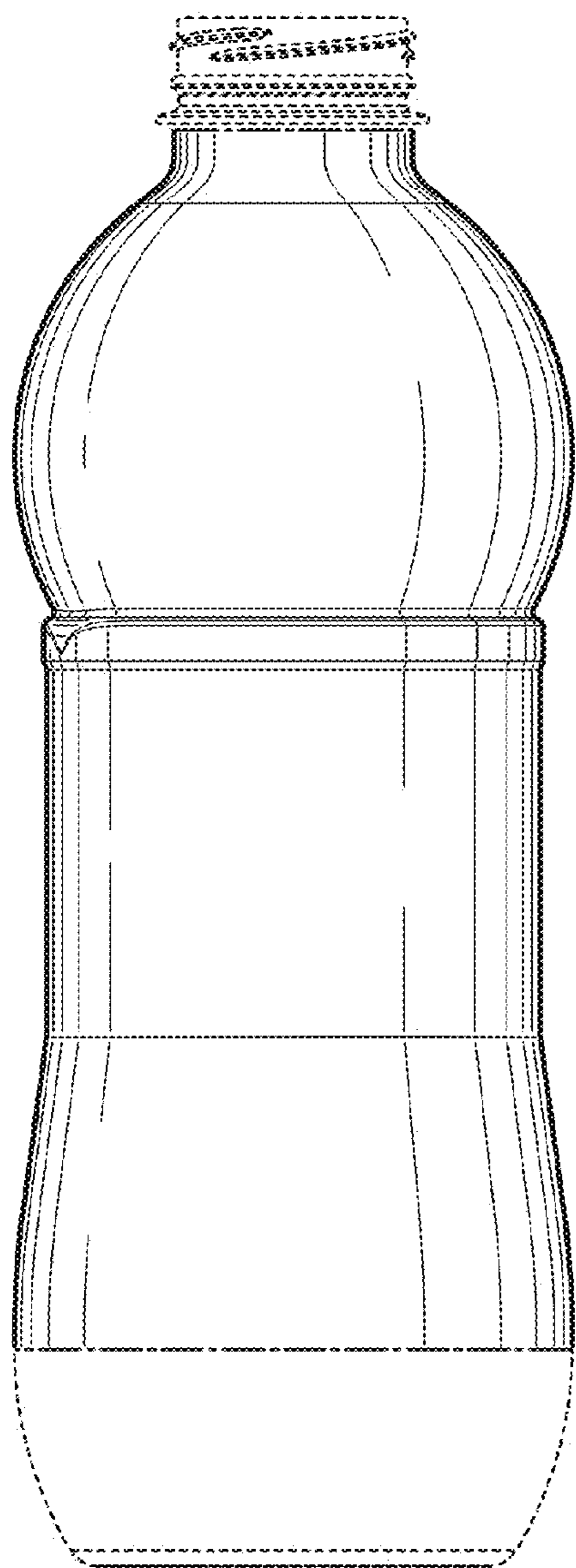


FIG. 2

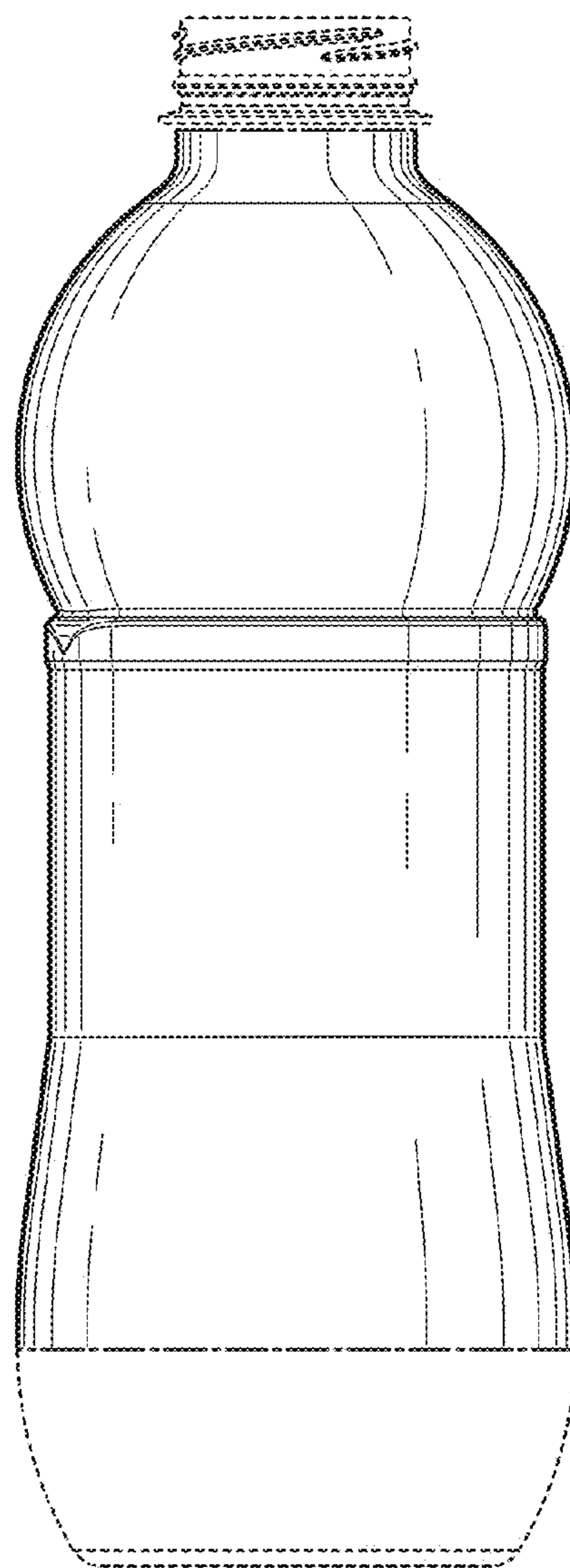


FIG. 3

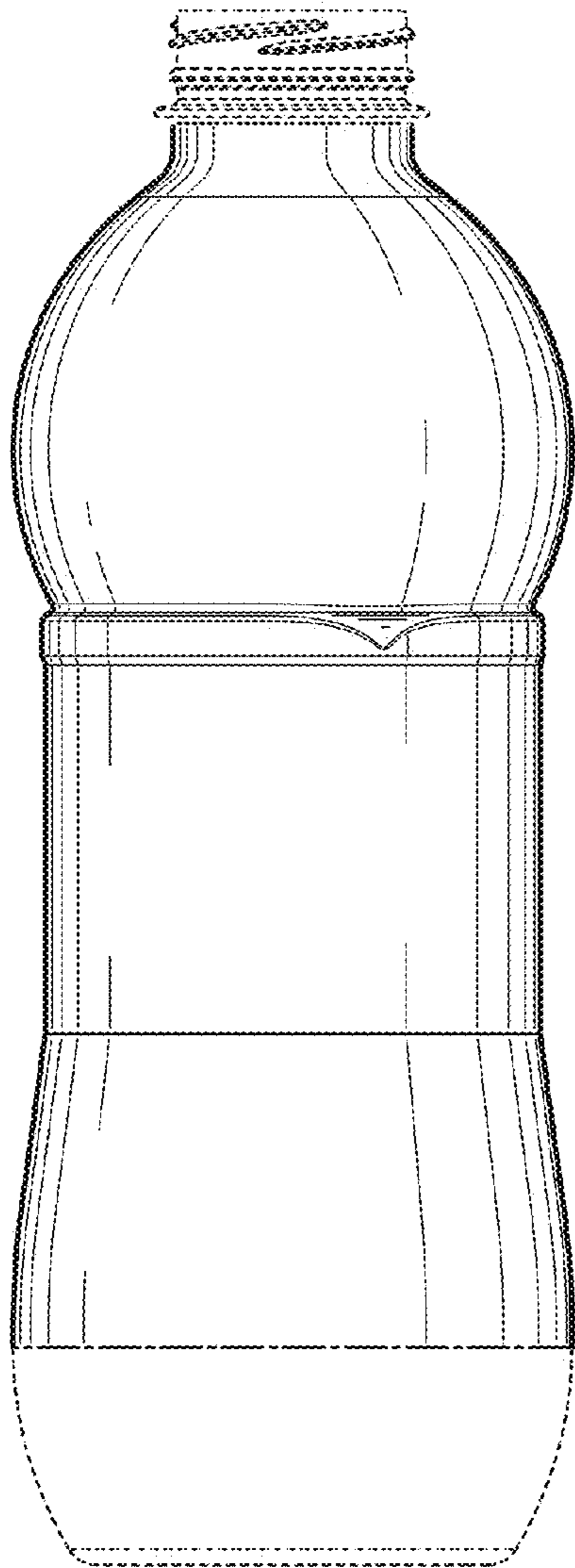


FIG. 4

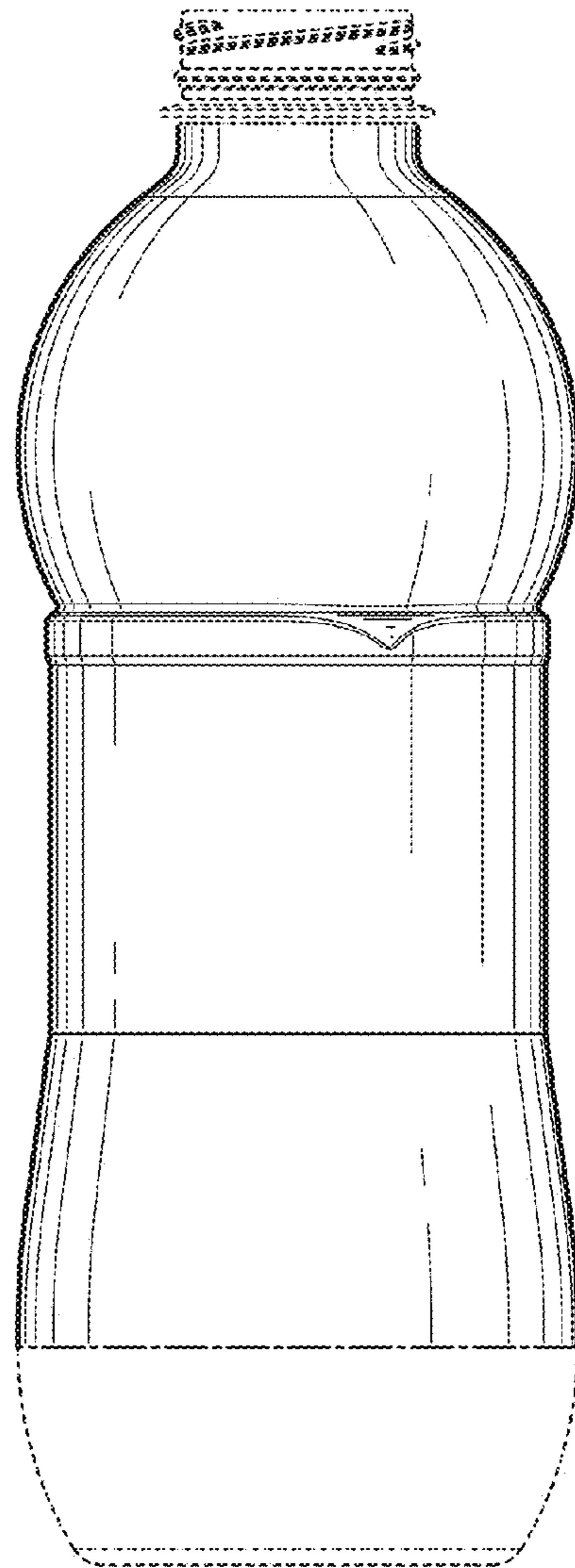


FIG. 5

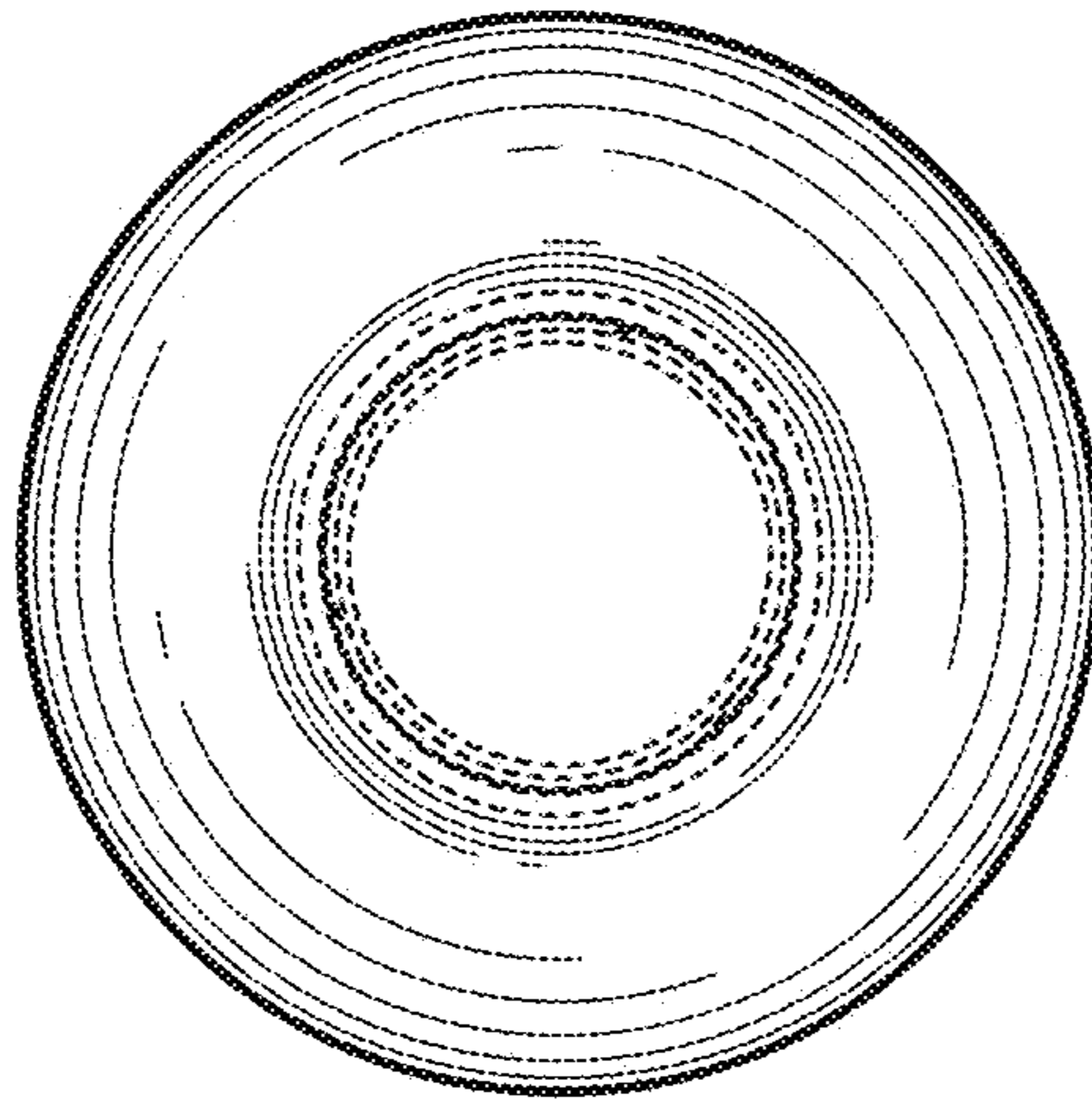


FIG. 6

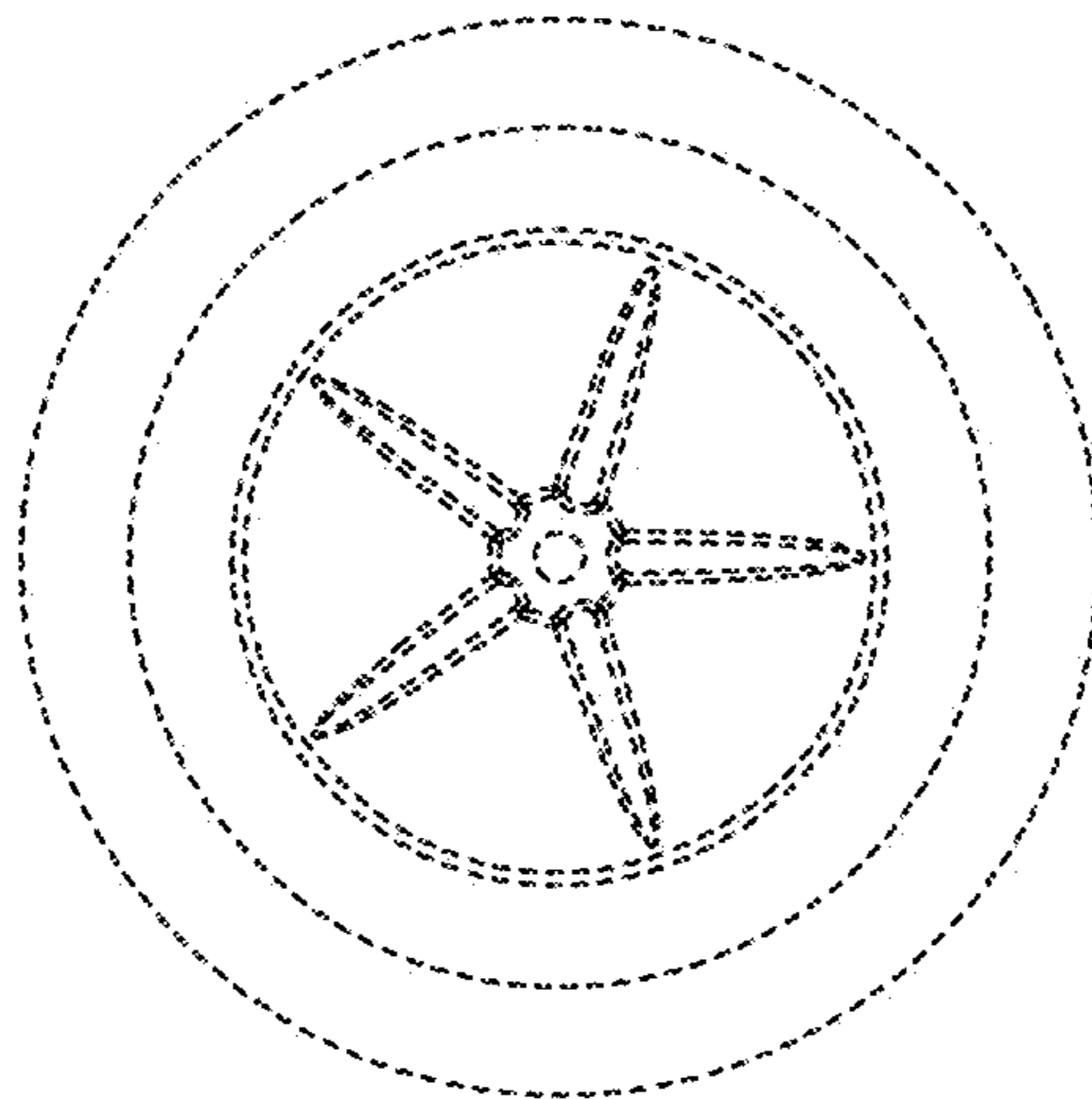


FIG. 7

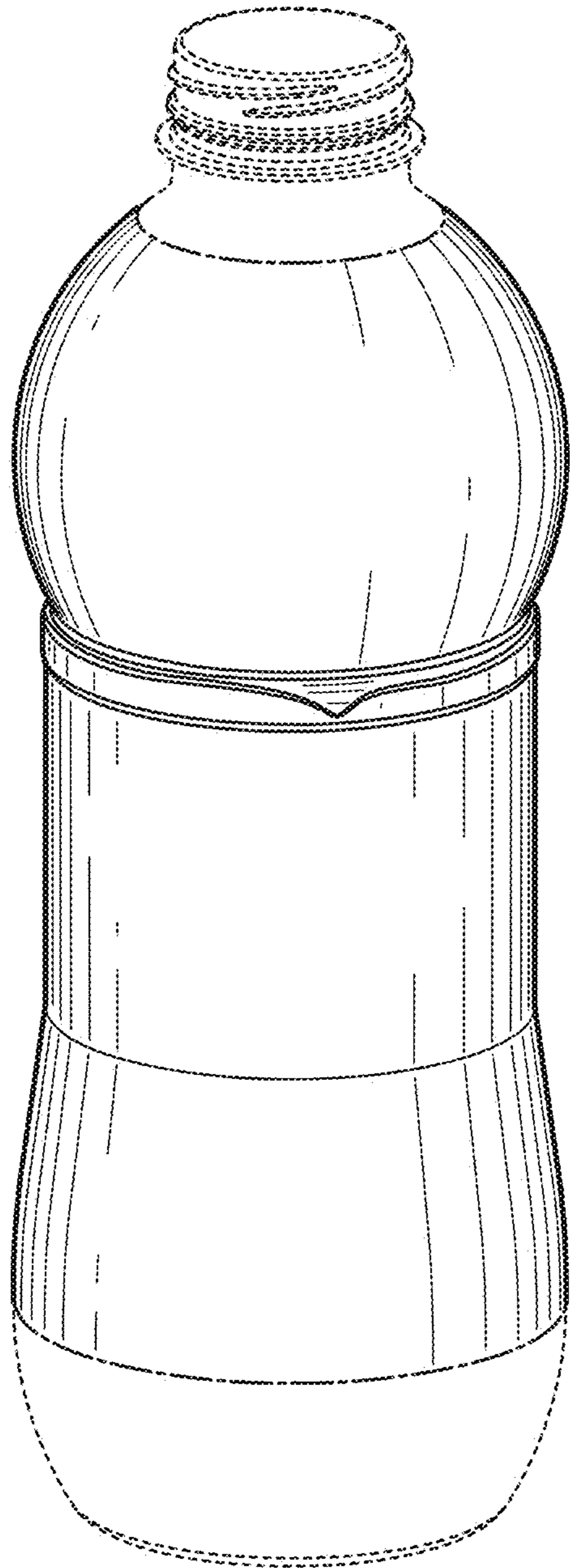


FIG. 8

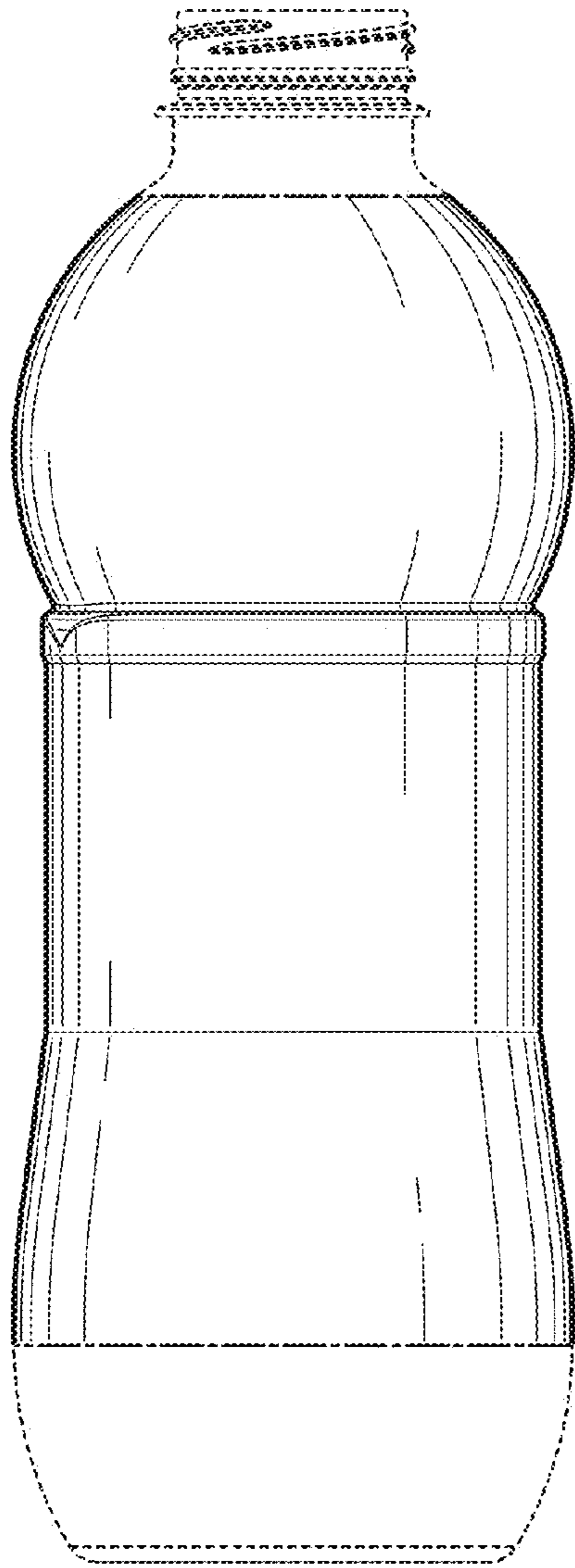


FIG. 9

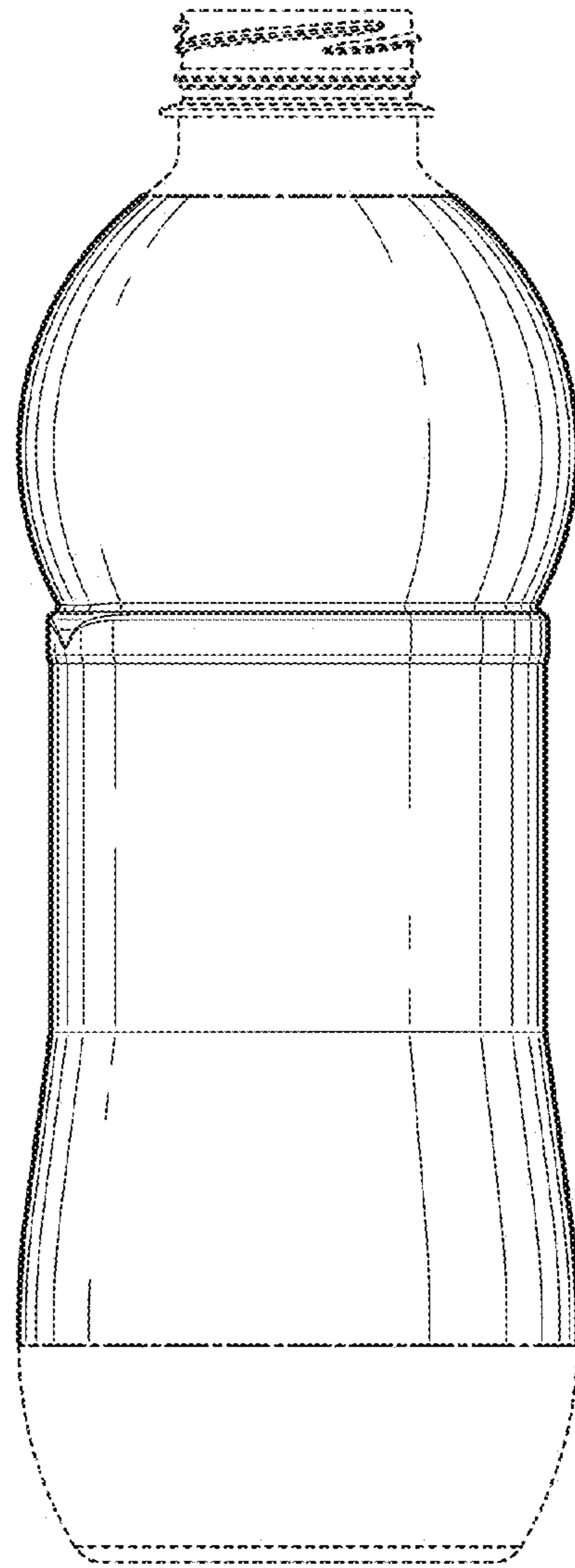


FIG. 10

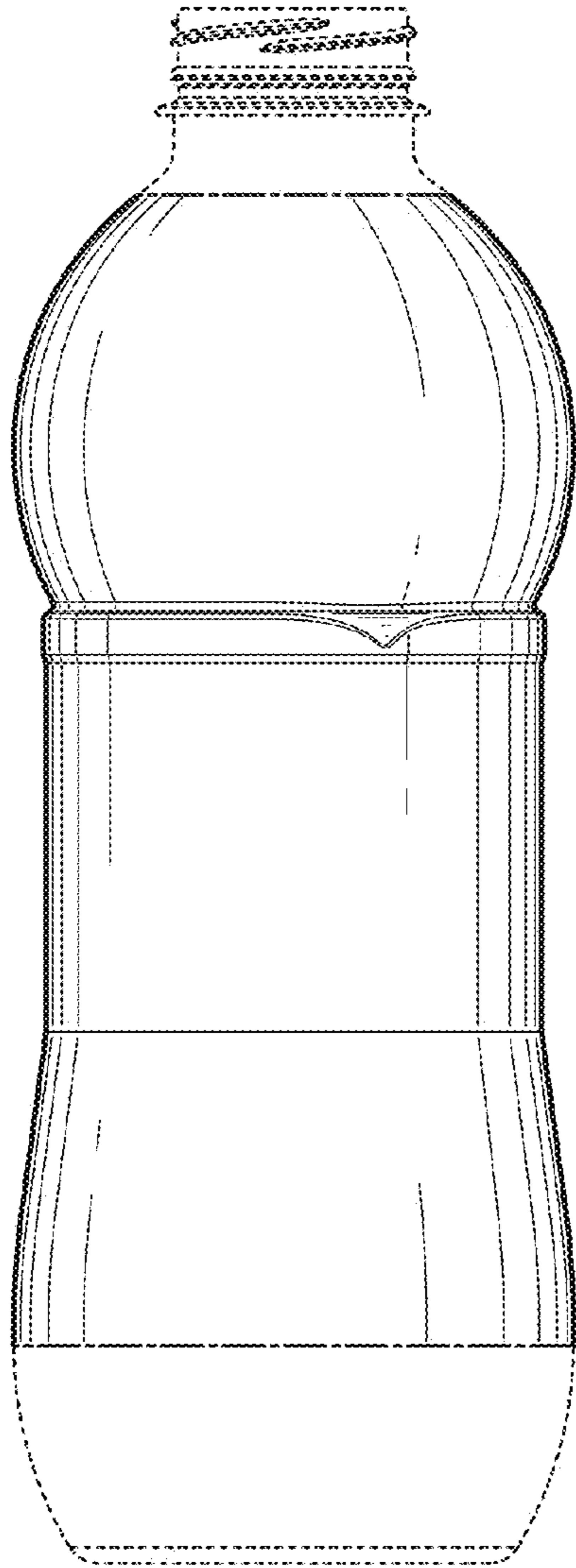


FIG. 11

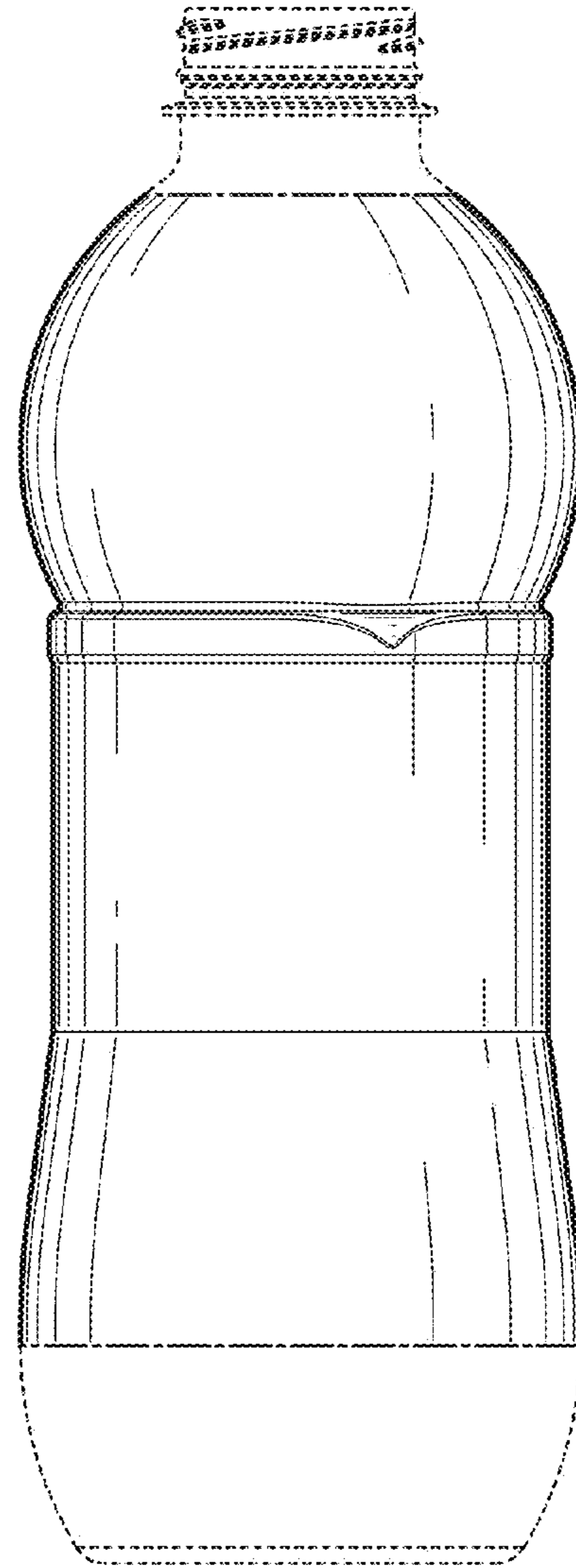


FIG. 12

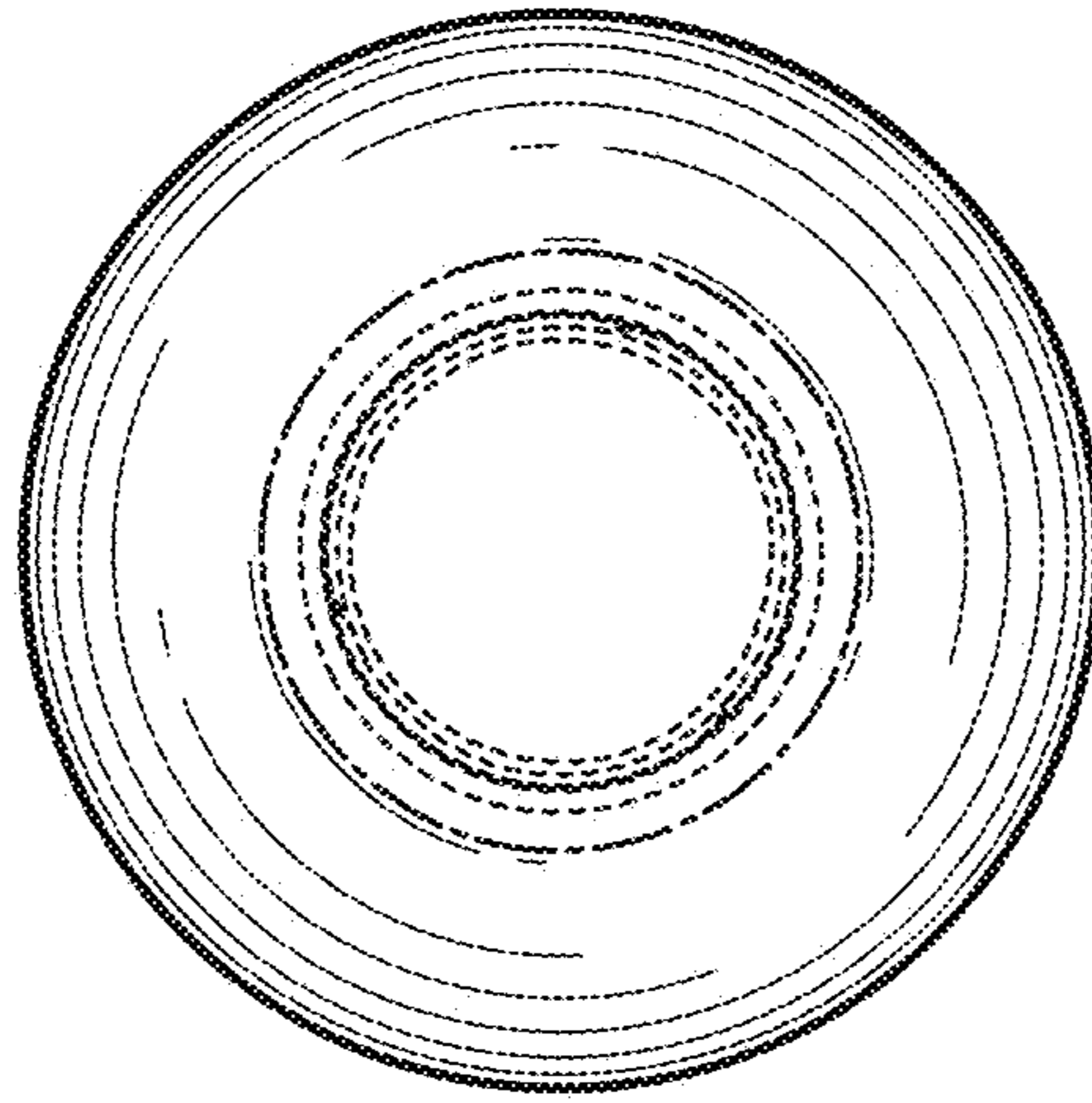


FIG. 13

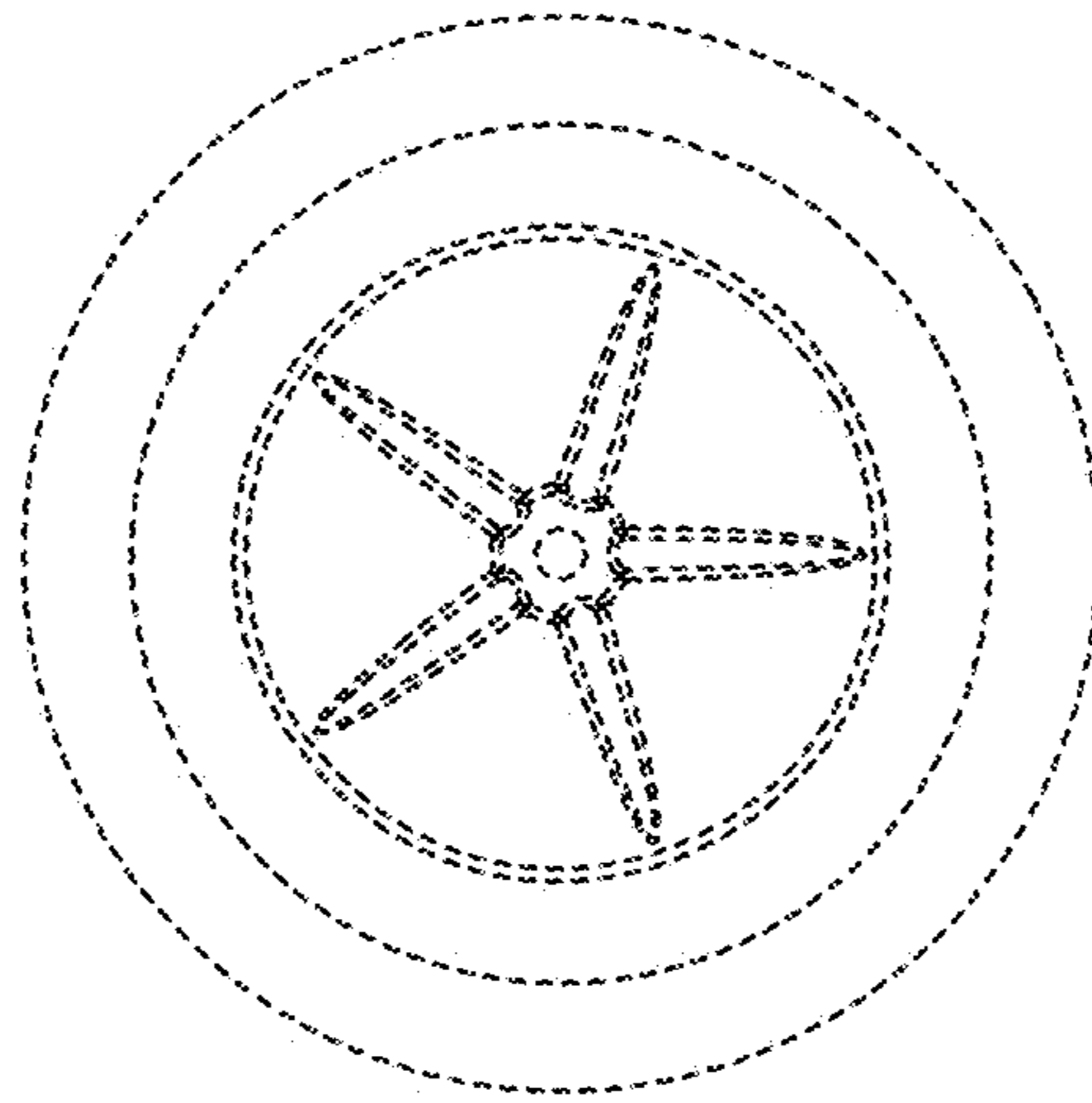


FIG. 14