



US00D749420S

(12) **United States Design Patent**
Kahlau

(10) **Patent No.:** **US D749,420 S**
(45) **Date of Patent:** **** Feb. 16, 2016**

(54) **PACKAGING TUBE**
(71) Applicant: **Hans Kahlau**, Lebanon, NJ (US)
(72) Inventor: **Hans Kahlau**, Lebanon, NJ (US)
(**) Term: **14 Years**
(21) Appl. No.: **29/488,942**
(22) Filed: **Apr. 24, 2014**
(51) **LOC (10) Cl.** **09-01**
(52) **U.S. Cl.**
USPC **D9/521**; D9/420; D9/558; D9/542
(58) **Field of Classification Search**
USPC D9/414, 417, 418, 420, 428, 434, 435,
D9/452-454, 516, 521, 529, 549, 551,
D9/723-729, 733, 763-783; 215/381-385;
D19/164, 181; D7/591, 601, 602, 507,
D7/529, 527, 549, 624.1-624.3, 629, 635;
D24/121, 224, 227, 229; D28/66;
D11/143, 146
CPC Y10S 206/833; B65D 59/04; B65D 85/12
See application file for complete search history.

5,891,327 A * 4/1999 Taunk B01L 3/5021
209/725
6,007,778 A * 12/1999 Cholewa B01L 3/5082
356/246
D425,625 S * 5/2000 Niermann D24/122
D448,996 S * 10/2001 Nixon, III D9/503
D606,117 S * 12/2009 Liu D19/164
D607,731 S * 1/2010 Soliman D9/521
D639,445 S * 6/2011 Newman D20/27
D650,088 S * 12/2011 Motadel D24/224
D659,848 S * 5/2012 TerMaat D24/224
D668,778 S * 10/2012 Motadel D24/224
D674,291 S * 1/2013 Py D9/723
D687,304 S * 8/2013 Tanner D24/121
D706,624 S * 6/2014 Key D9/428
D723,181 S * 2/2015 Kawamura D24/224
D730,735 S * 6/2015 Sommer D9/500
D732,684 S * 6/2015 Ooi D24/224
2002/0057996 A1 * 5/2002 Bass B01L 3/5021
422/400

* cited by examiner

Primary Examiner — Philip S Hyder
Assistant Examiner — Keith Frank

(57) **CLAIM**
The ornamental design for a packaging tube, as shown and described.

(56) **References Cited**

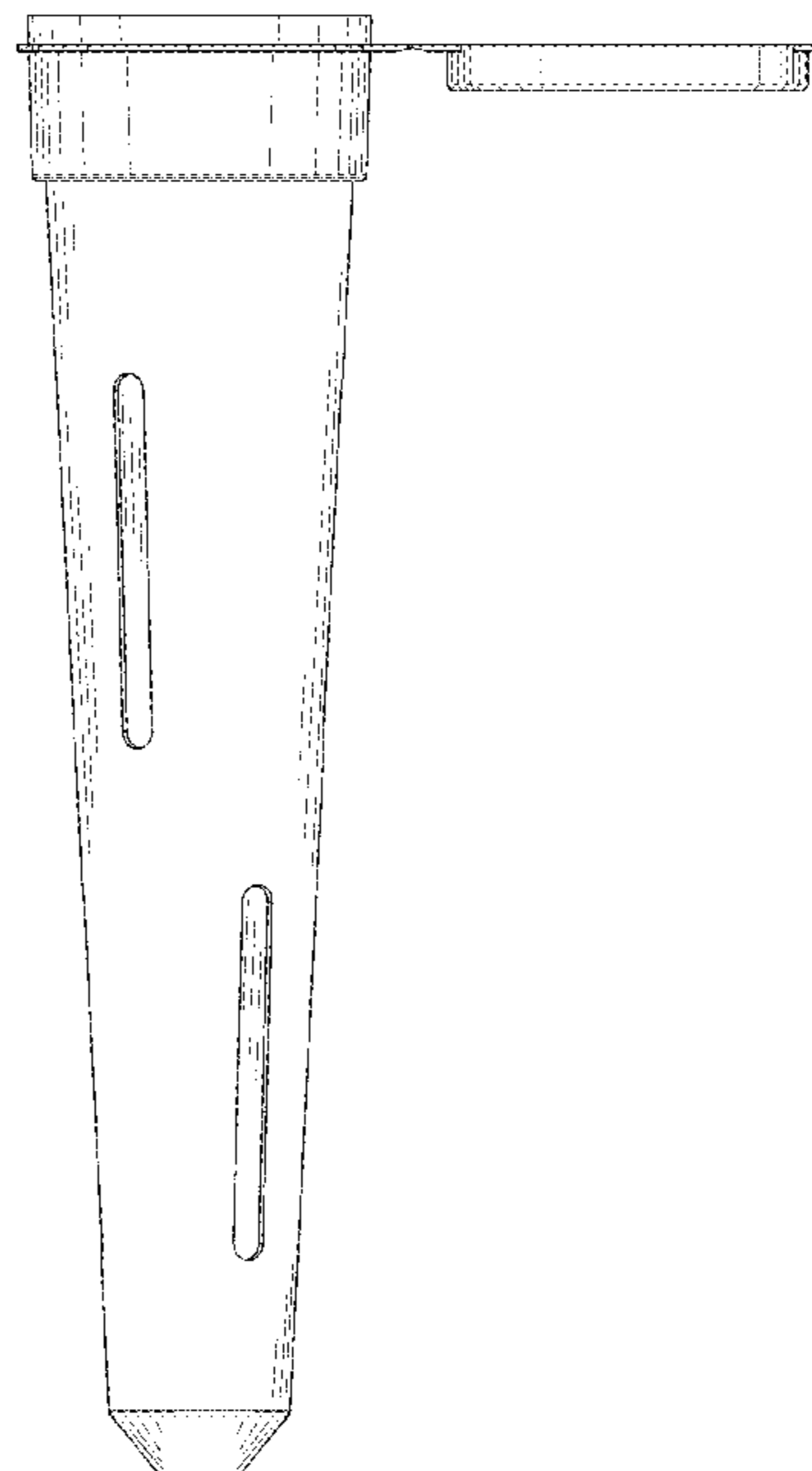
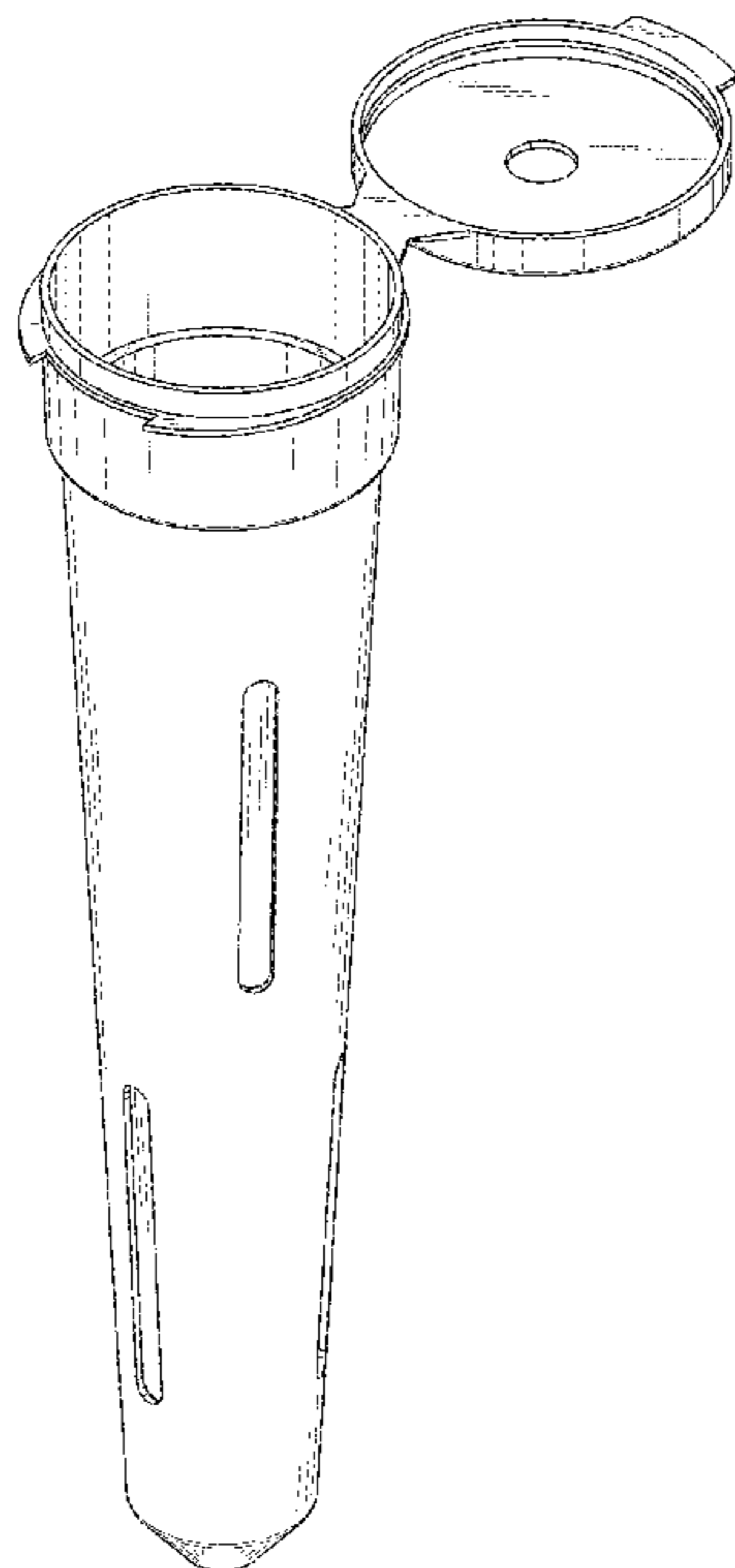
U.S. PATENT DOCUMENTS

D255,010 S * 5/1980 Boller D9/427
D265,549 S * 7/1982 Houts D3/272
D286,505 S * 11/1986 Okada D3/20
5,254,314 A * 10/1993 Yu B01L 3/5457
215/237
5,513,768 A * 5/1996 Smith B01L 3/50825
215/278
D395,239 S * 6/1998 Davis D9/521
D395,799 S * 7/1998 Lowther D19/170
D399,427 S * 10/1998 Weiss D9/521

DESCRIPTION

FIG. 1 is a perspective view of a packaging tube;
FIG. 2 is a front elevational view thereof;
FIG. 3 is a rear elevational view thereof;
FIG. 4 is a right-side elevational view thereof;
FIG. 5 is a left-side elevational view thereof;
FIG. 6 is a bottom plan view thereof; and,
FIG. 7 is a top plan view thereof.

1 Claim, 7 Drawing Sheets



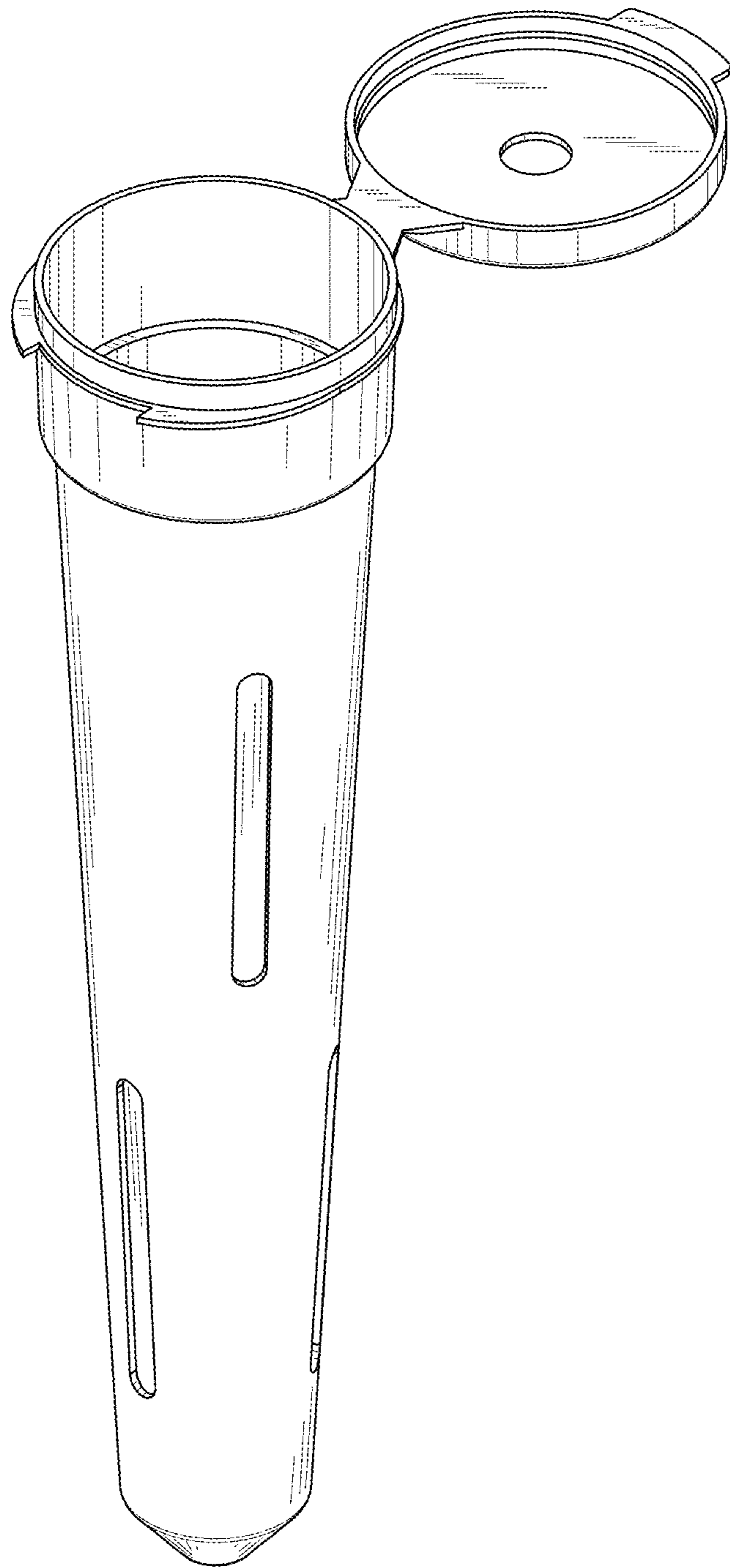


FIG. 1

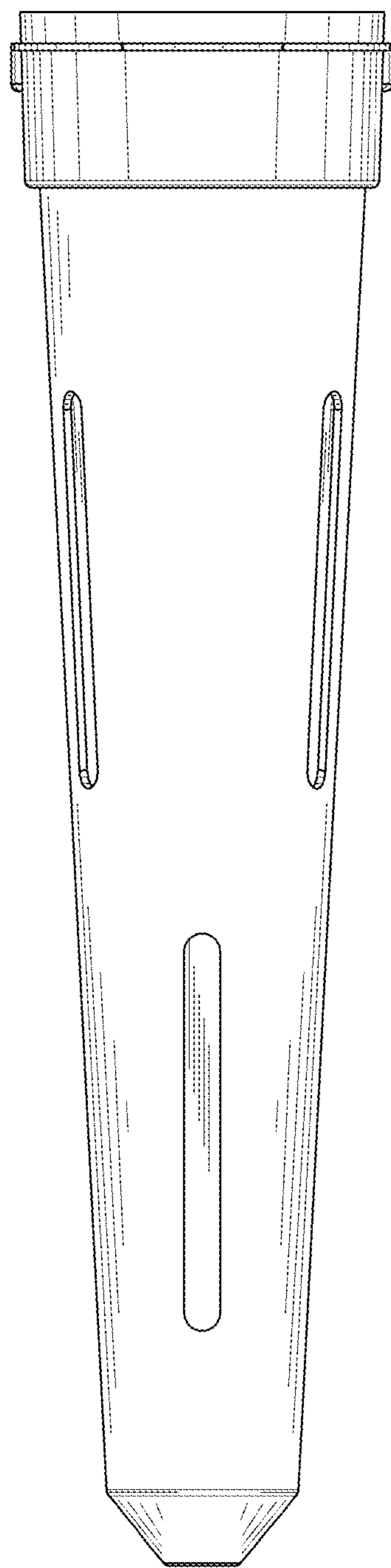


FIG. 2

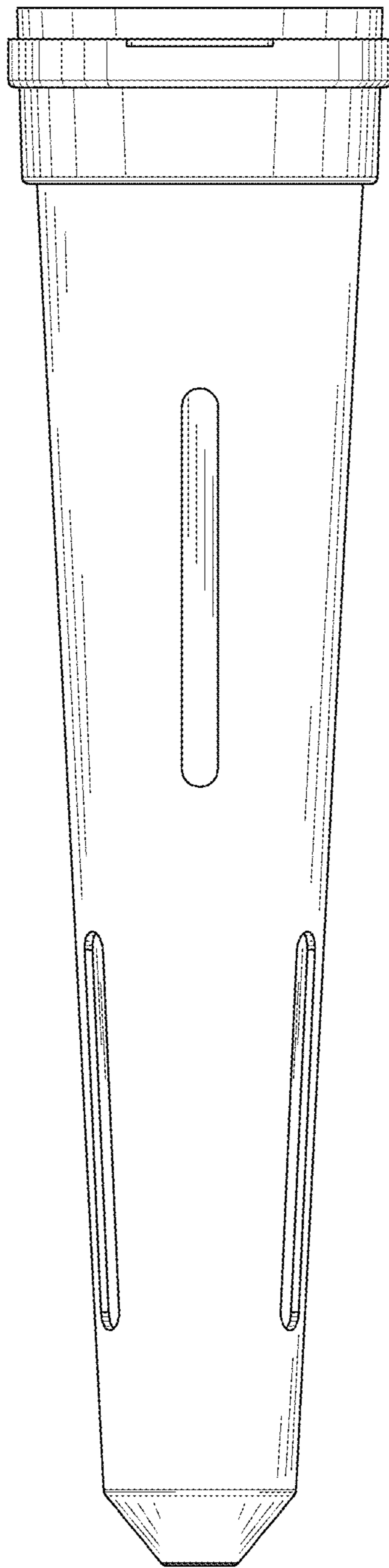


FIG. 3

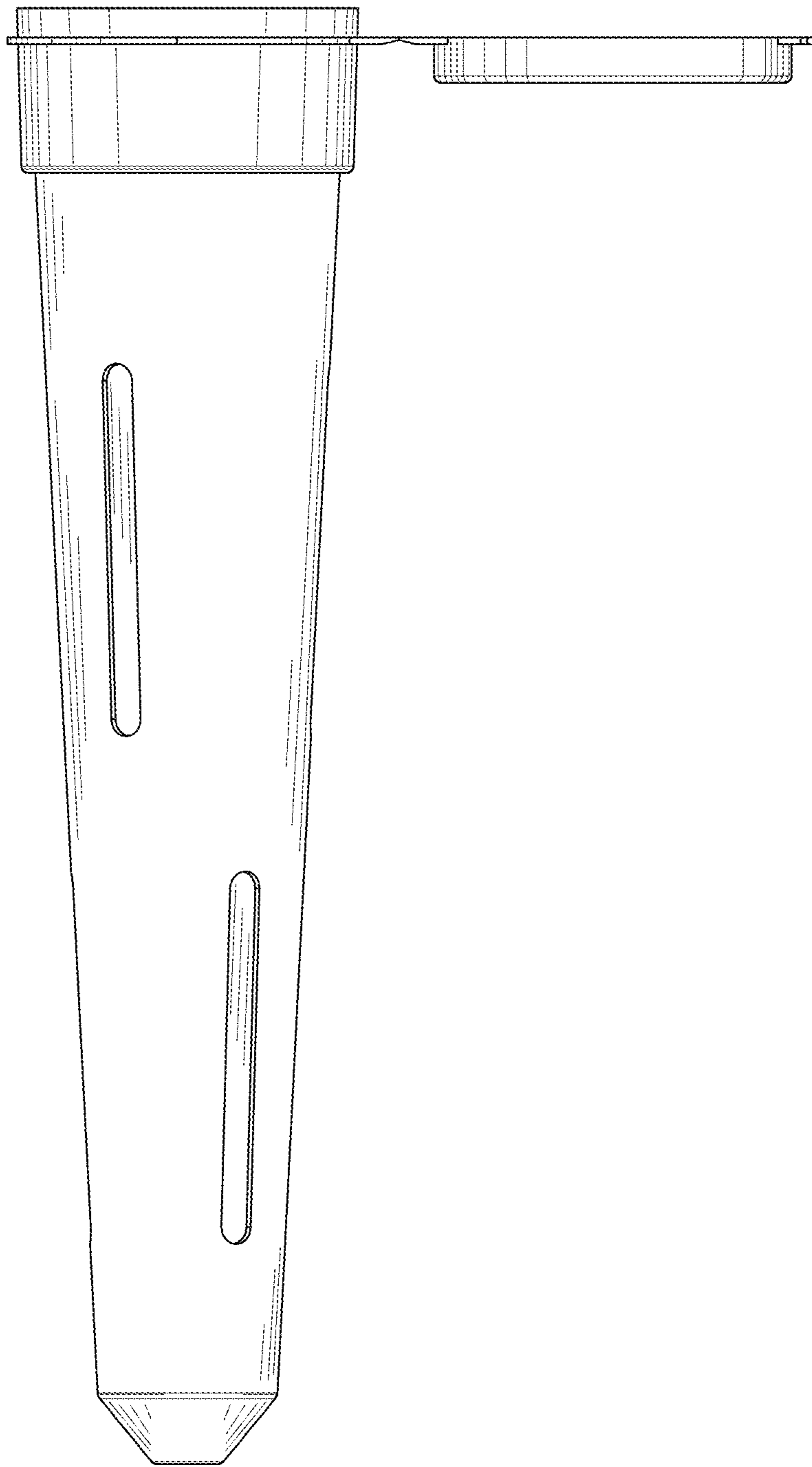


FIG. 4

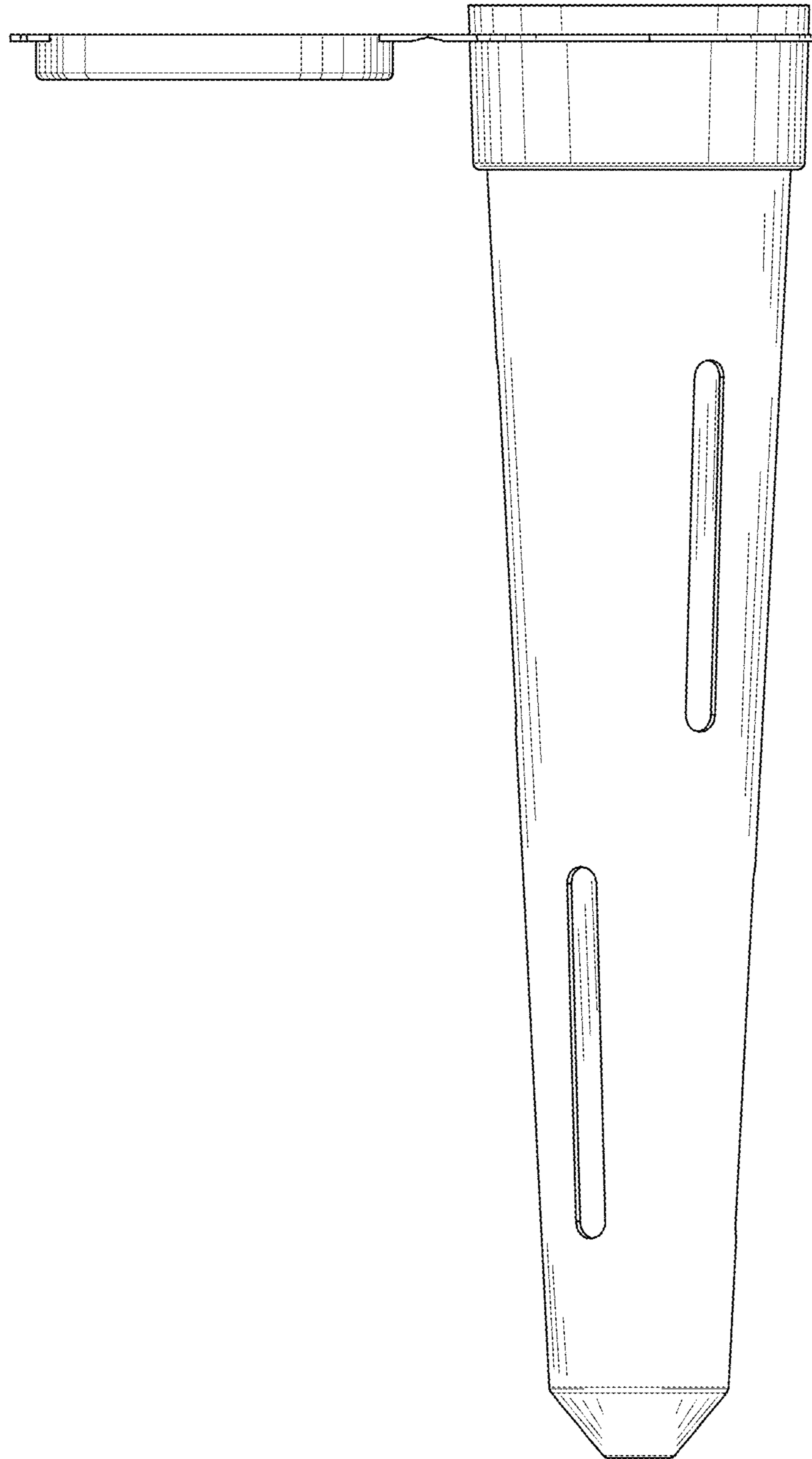


FIG. 5

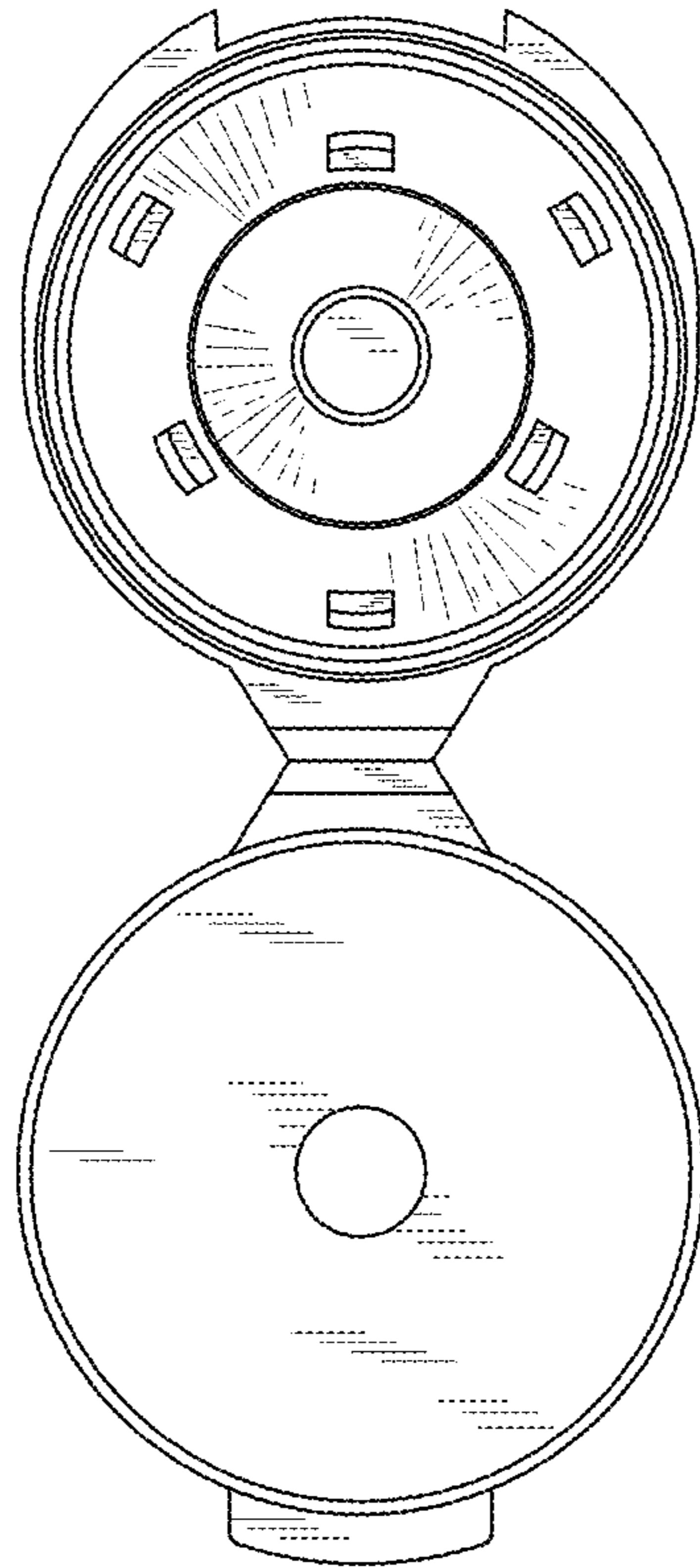


FIG. 6

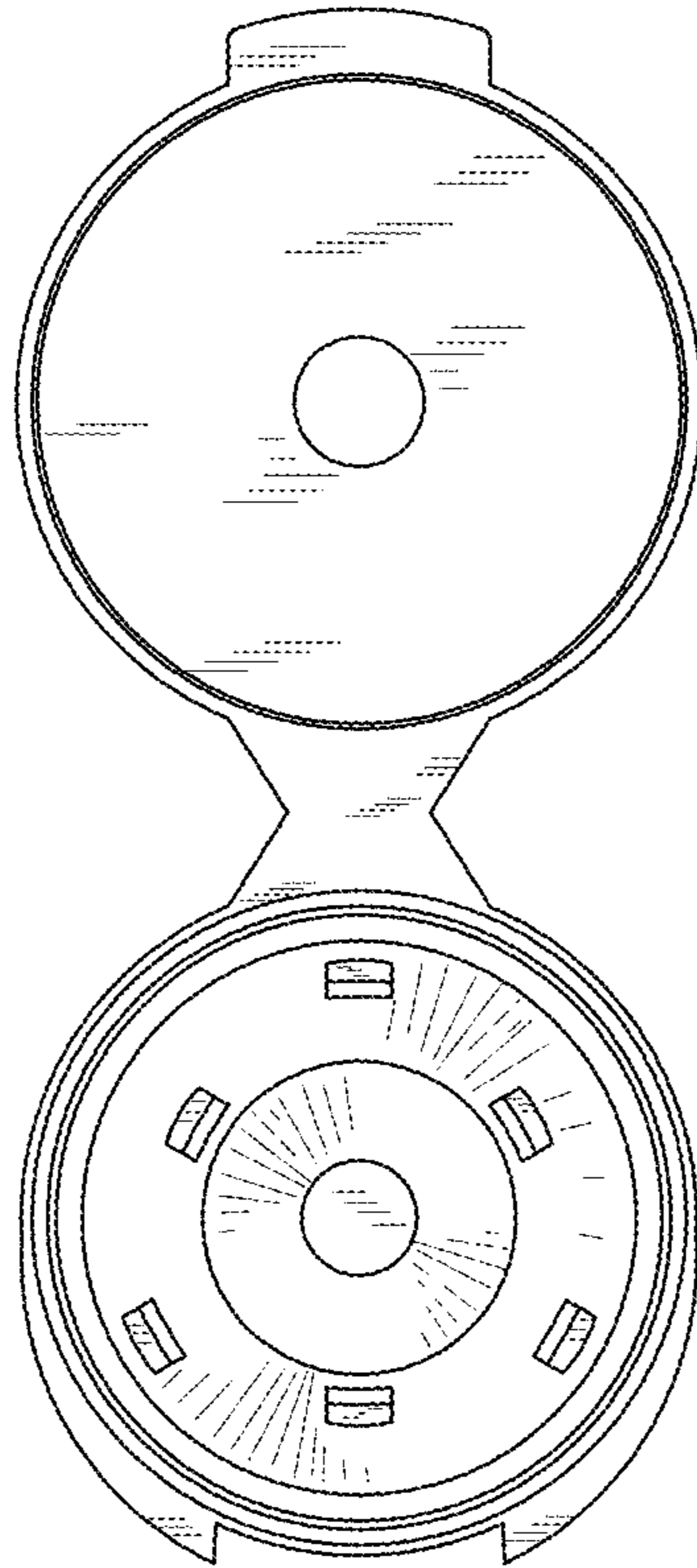


FIG. 7