



US00D749419S

(12) **United States Design Patent**
Grossman

(10) **Patent No.:** **US D749,419 S**

(45) **Date of Patent:** **** Feb. 16, 2016**

(54) **BOTTLE**

(71) Applicant: **BNG Enterprises, Inc.**, Tempe, AZ (US)

(72) Inventor: **Bradley Grossman**, Paradise Valley, AZ (US)

(73) Assignee: **BNG Enterprises, Inc.**, Tempe, AZ (US)

(**) Term: **14 Years**

(21) Appl. No.: **29/504,712**

(22) Filed: **Oct. 8, 2014**

(51) **LOC (10) Cl.** **09-01**

(52) **U.S. Cl.**
USPC **D9/500**

(58) **Field of Classification Search**
USPC D9/500, 502, 503, 516, 530, 537, 539,
D9/548, 549, 550, 558, 715, 719, 763, 772,
D9/77; D7/509, 523; D24/197
CPC B65D 1/00; B65D 1/02; B65D 1/10;
B65D 1/0223; B65D 1/243; B65D 23/00;
B65D 81/00; B65D 2501/00; B65D 2501/0009
See application file for complete search history.

(56) **References Cited**

U.S. PATENT DOCUMENTS

D115,331 S	*	6/1939	Connor	D9/502
D206,245 S	*	11/1966	Platte	D34/39
D224,646 S	*	8/1972	Vollquartz	D9/500
D274,694 S	*	7/1984	Denhoff	D9/502
D287,103 S	*	12/1986	Thieffry	D9/453

D324,176 S	*	2/1992	Patterson	D24/199
D354,913 S	*	1/1995	Pezzoli	D24/197
D369,977 S	*	5/1996	Sexton, Jr.	D9/764
D427,911 S	*	7/2000	Kilian	D9/520
D469,664 S	*	2/2003	Marks	D7/608
D548,082 S	*	8/2007	Kingsley	D9/500
D611,344 S	*	3/2010	Longacre	D9/500
D656,025 S	*	3/2012	Carreno	D7/509
D676,764 S	*	2/2013	Moore	D9/500
D696,118 S	*	12/2013	Lindstrom	D7/509
D697,404 S	*	1/2014	Johnson	D9/500
D729,625 S	*	5/2015	Wheeler	D9/414
2008/0302799 A1	*	12/2008	Moore	B65D 7/04 220/288

* cited by examiner

Primary Examiner — Dana L Meyrow

Assistant Examiner — Keith Frank

(74) *Attorney, Agent, or Firm* — Venjuris P.C.

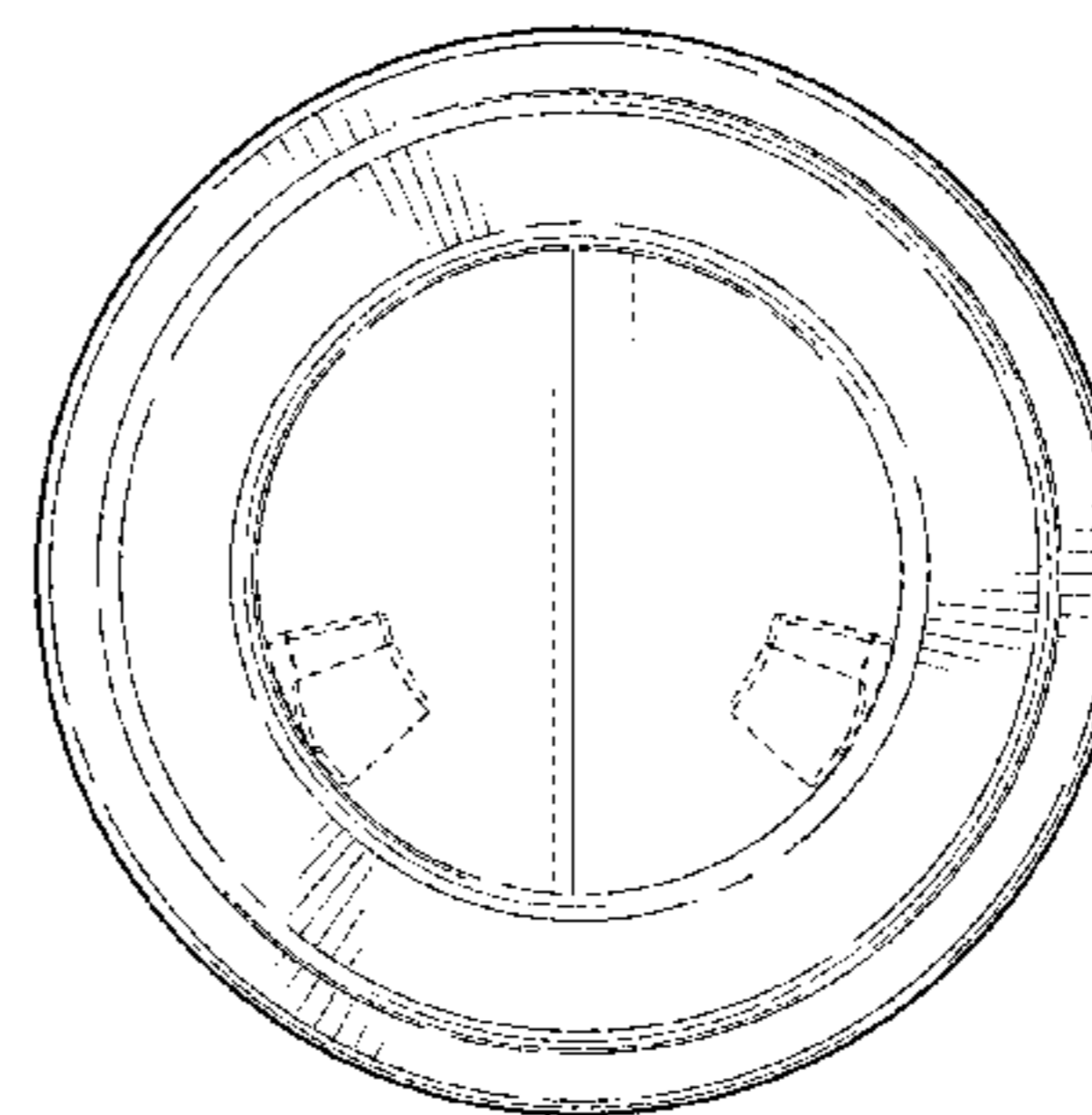
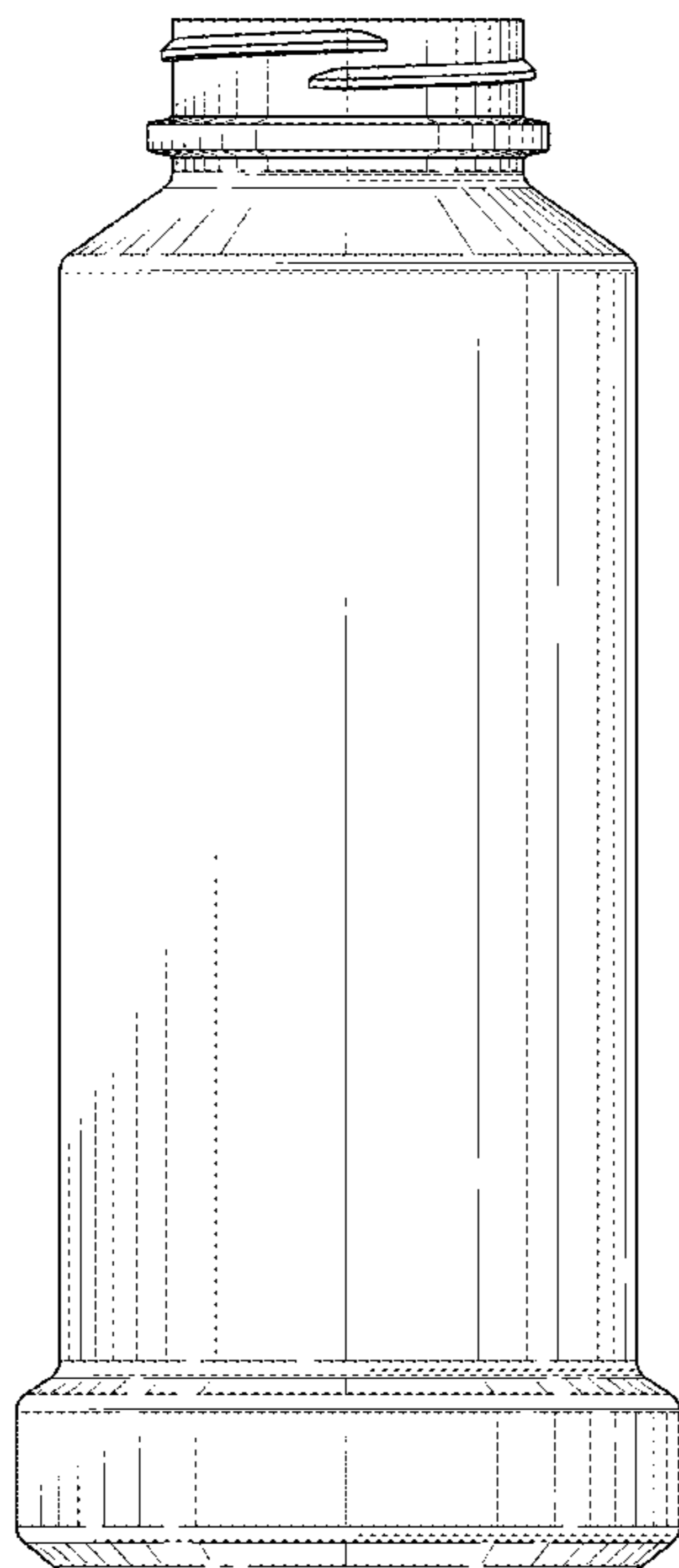
(57) **CLAIM**

The ornamental design for a bottle, as shown and described.

DESCRIPTION

FIG. 1 is a perspective view of a bottle;
FIG. 2 is first side view of the bottle;
FIG. 3 is second side view of the bottle;
FIG. 4 is a top view of the bottle;
FIG. 5 is a bottom view of the bottle; and,
FIG. 6 is a cross-section view of the bottle seen in FIG. 3.
The broken lines in the drawings showing of a bottle illustrate the portions of the bottle that form no part of the claim.

1 Claim, 5 Drawing Sheets



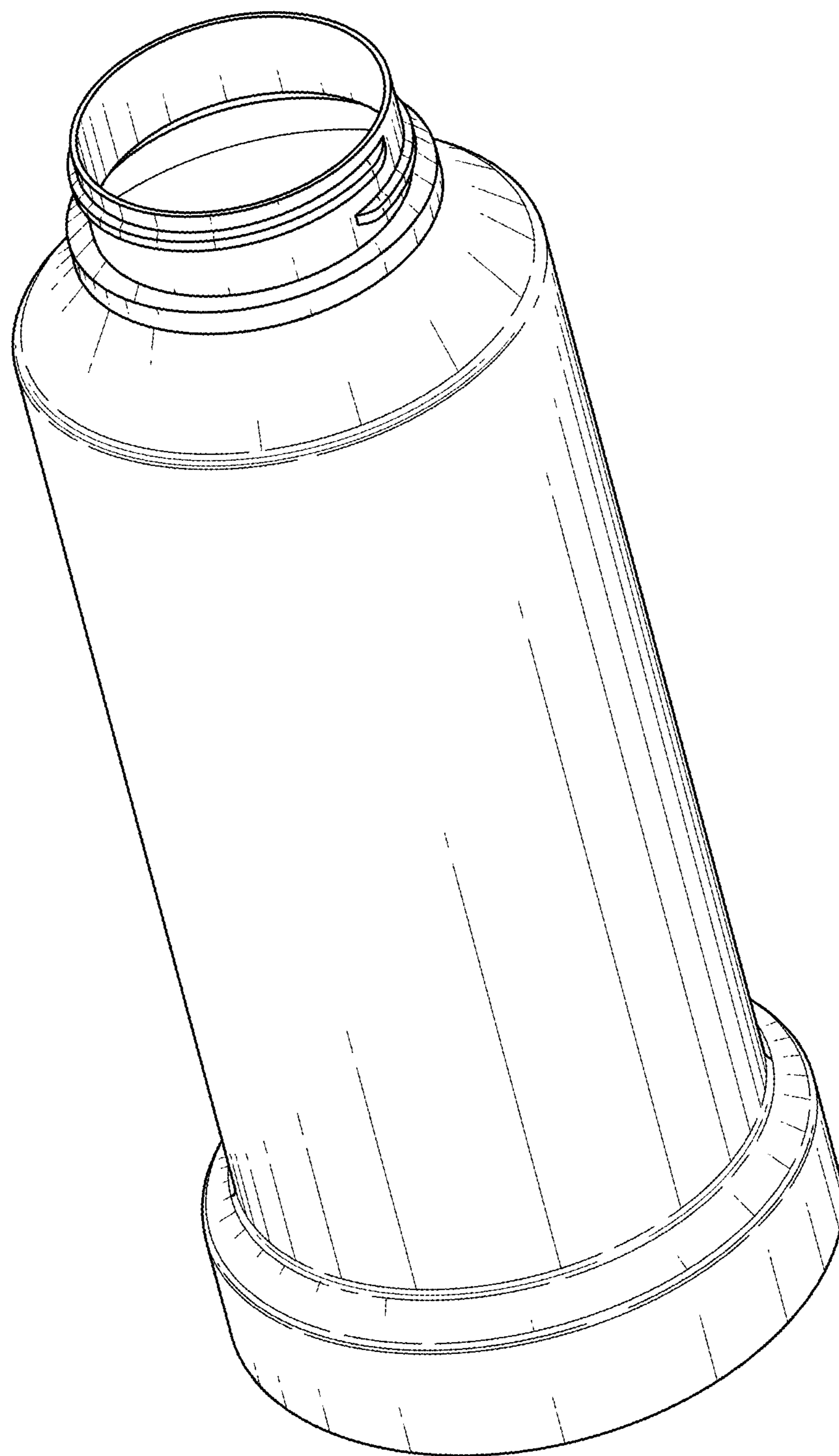


FIG. 1

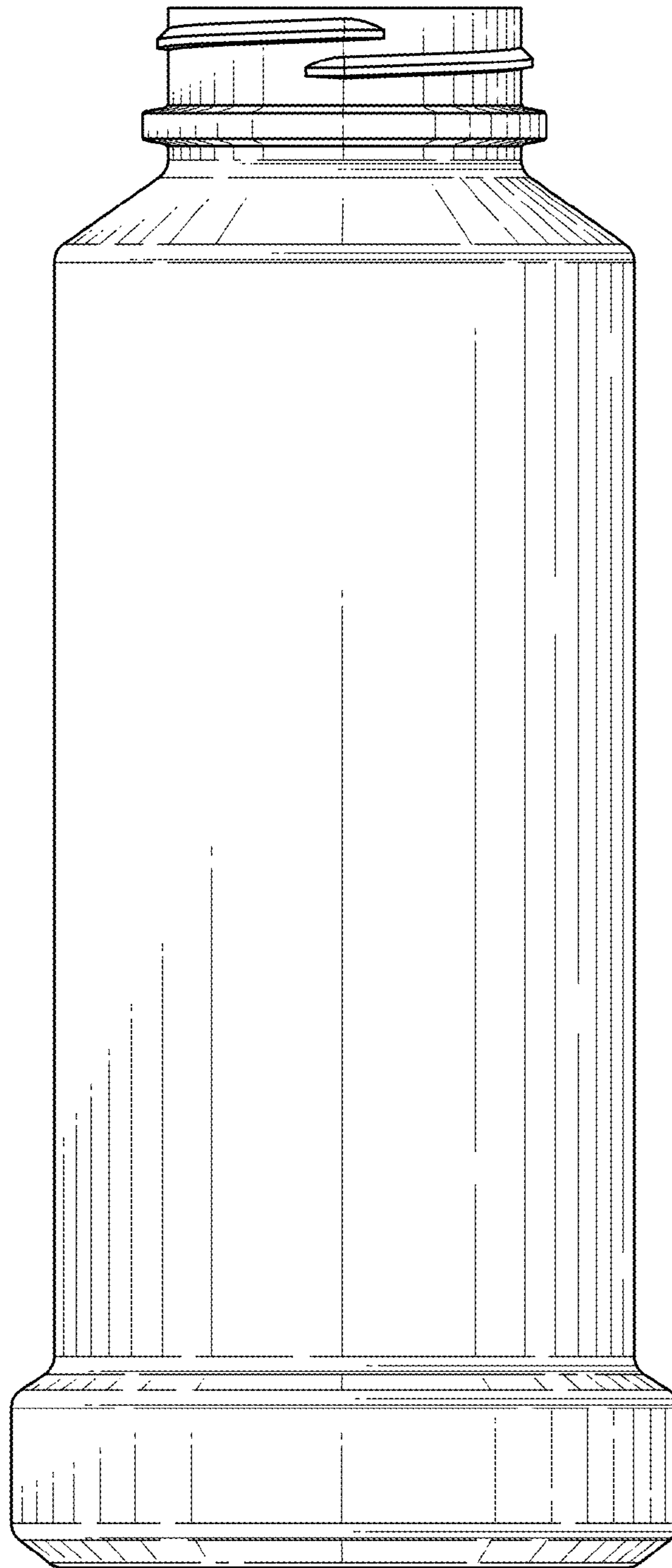


FIG. 2

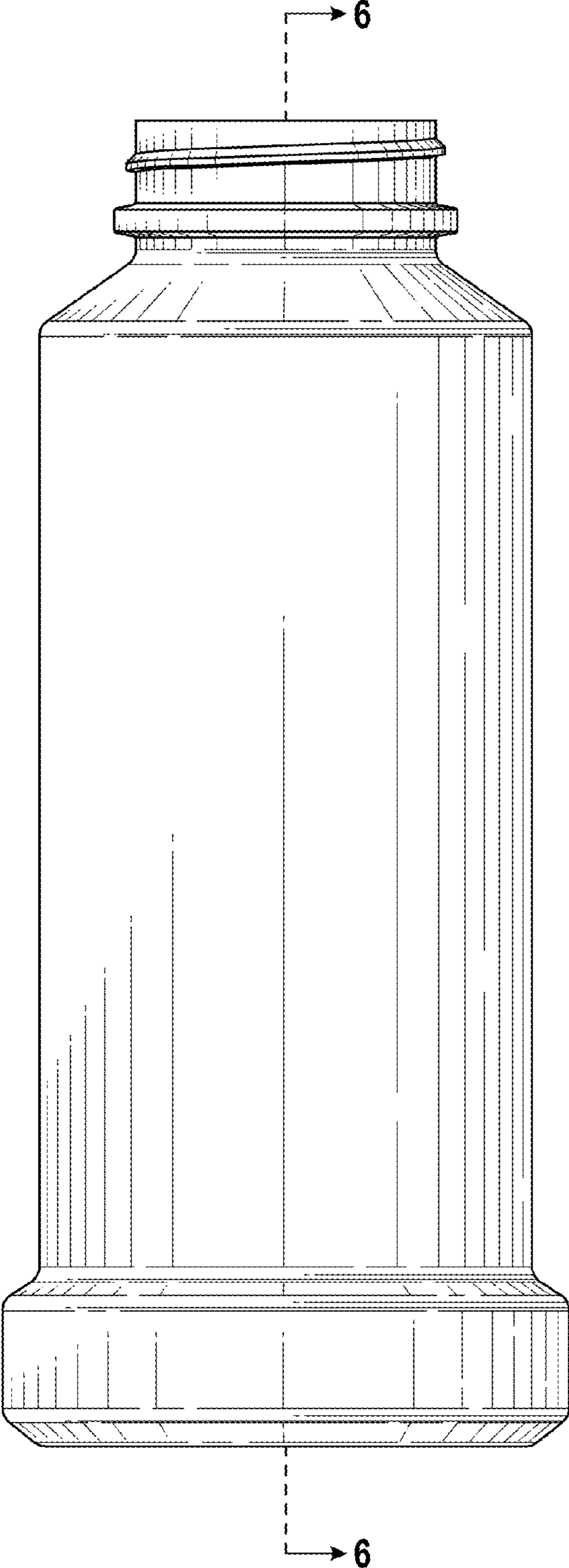


FIG. 3

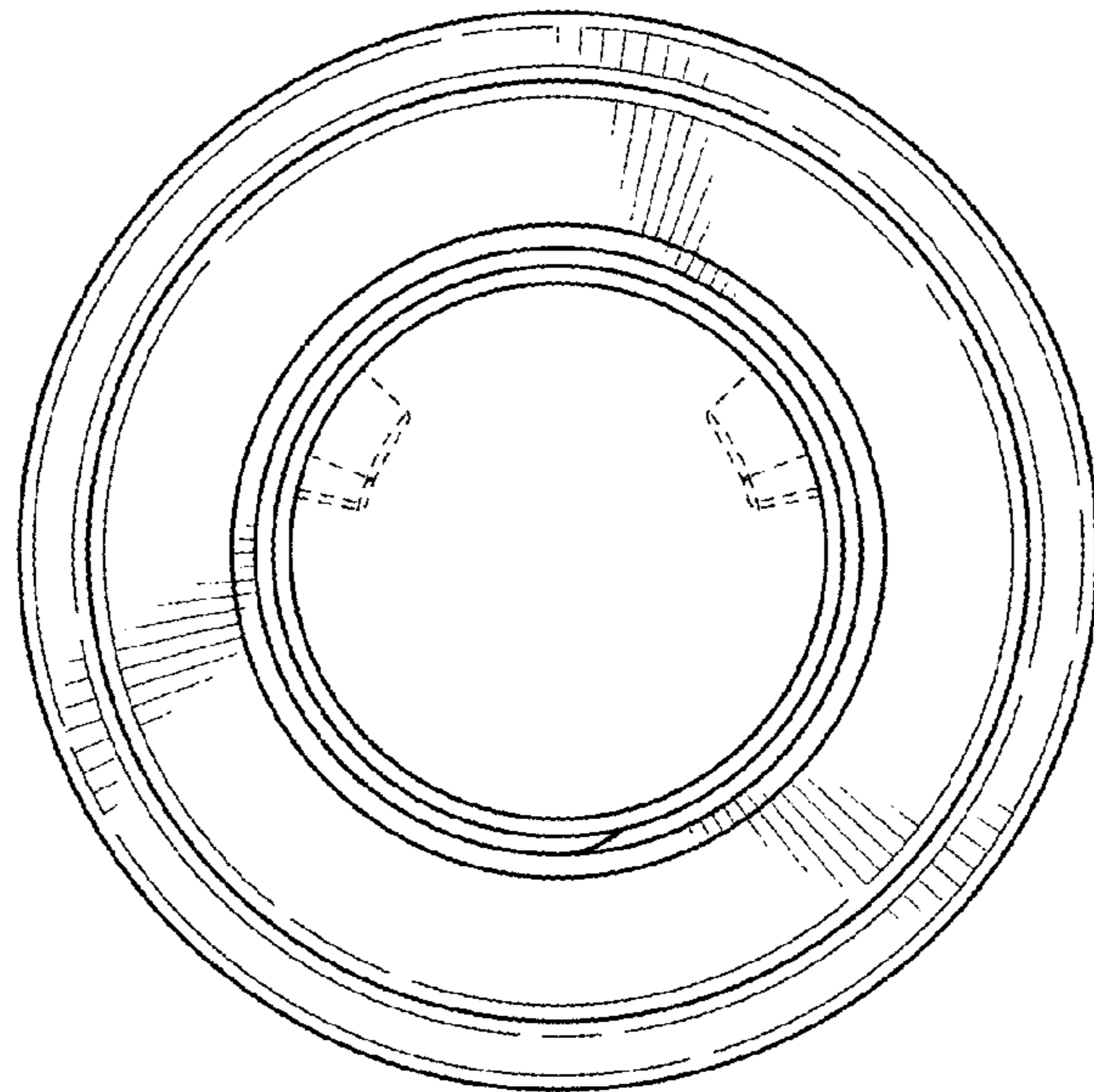


FIG. 4

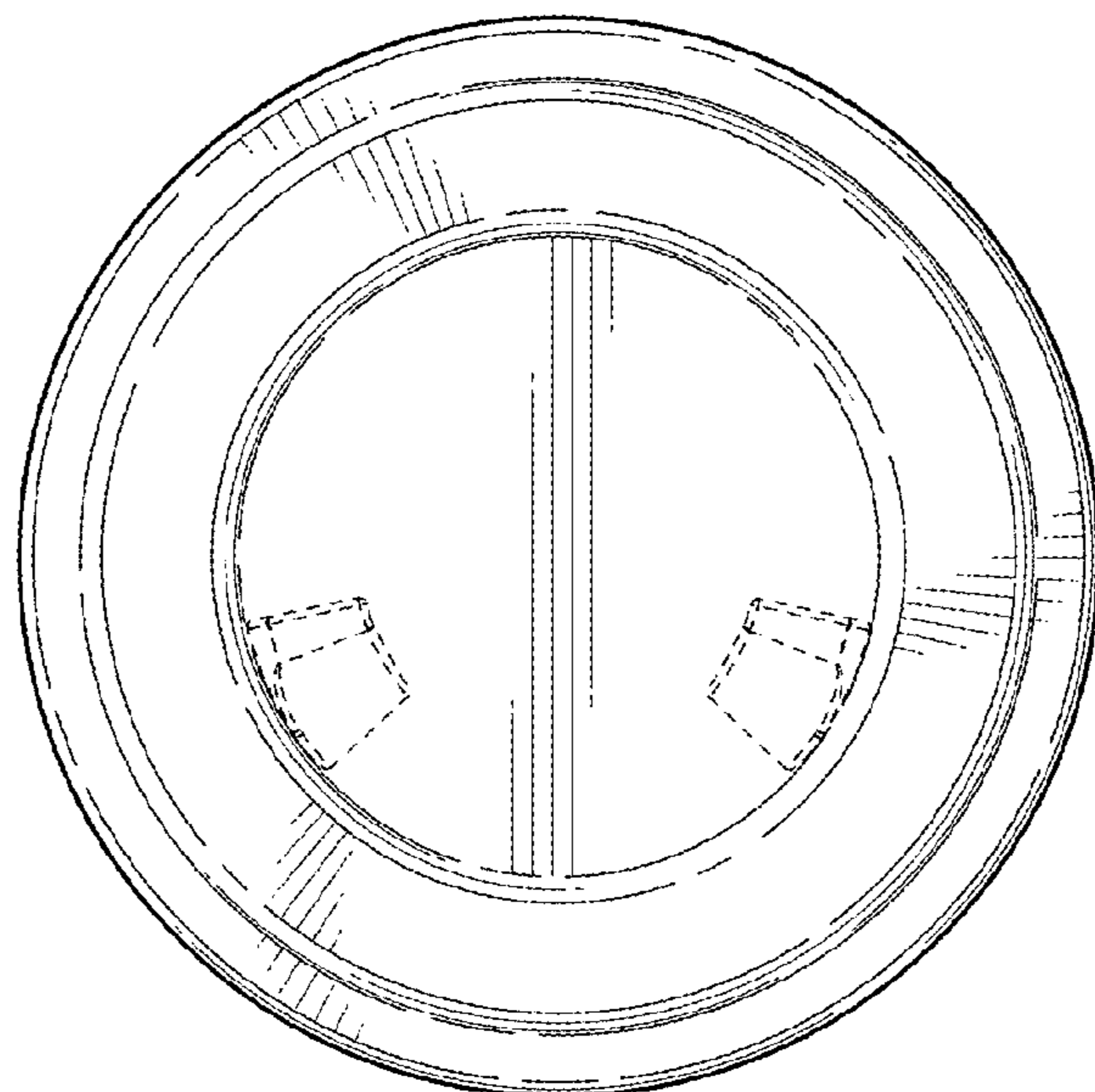


FIG. 5

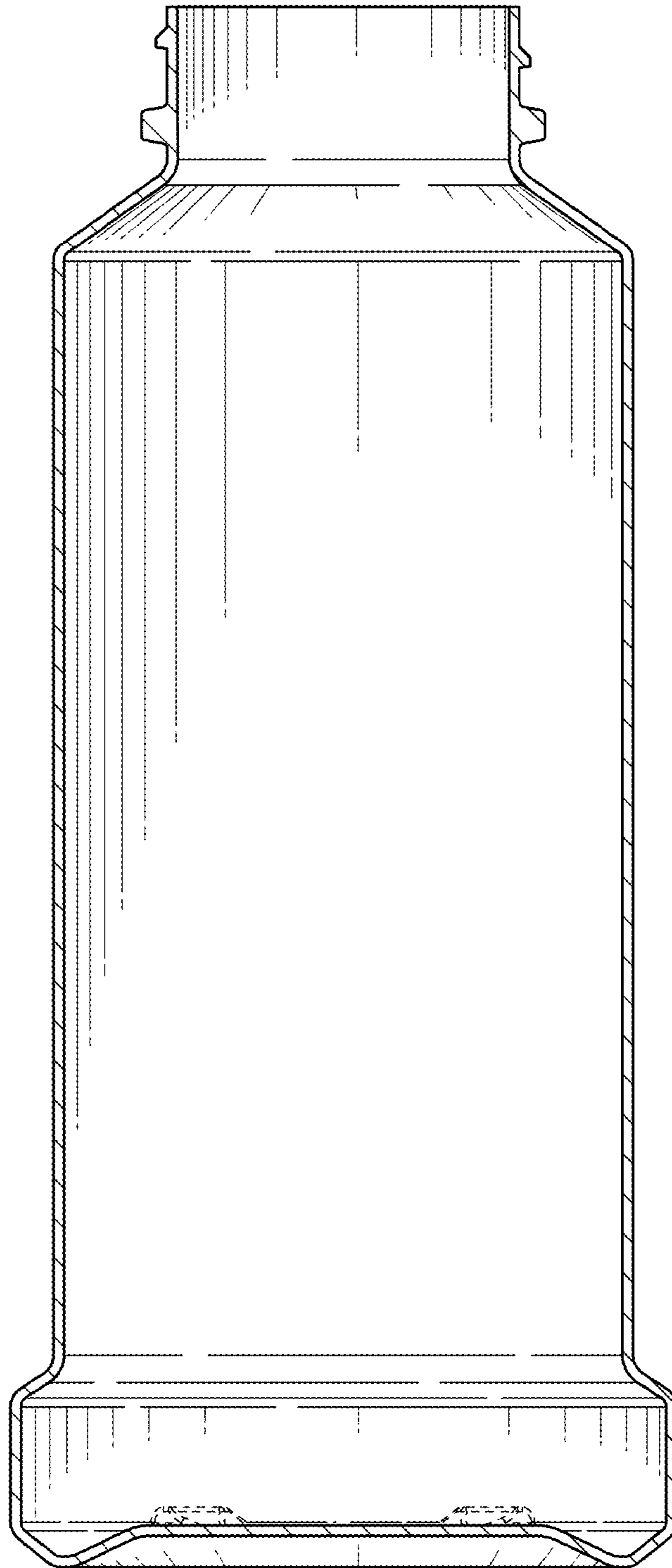


FIG. 6