



US00D749418S

(12) **United States Design Patent**
Fleischhacker

(10) **Patent No.:** **US D749,418 S**

(45) **Date of Patent:** **** Feb. 16, 2016**

(54) **CONTAINER BODY PORTION**

(71) Applicant: **Plastipak Packaging, Inc.**, Plymouth, MI (US)

(72) Inventor: **Kyle Fleischhacker**, Dearborn, MI (US)

(73) Assignee: **Plastipak Packaging, Inc.**, Plymouth, MI (US)

(**) Term: **14 Years**

(21) Appl. No.: **29/499,943**

(22) Filed: **Aug. 20, 2014**

(51) **LOC (10) Cl.** **09-01**

(52) **U.S. Cl.**
USPC **D9/500; D9/550**

(58) **Field of Classification Search**
USPC D9/500, 502-505, 516, 530, 537, 539,
D9/549-550, 557-558, 715, 719; D24/197
CPC B65D 1/00; B65D 1/02; B65D 1/0223;
B65D 23/00; B65D 81/00; B65D 83/00;
B65D 2501/00; B65D 2501/0009
See application file for complete search history.

(56) **References Cited**

U.S. PATENT DOCUMENTS

D50,588 S *	4/1917	Recker	D7/608
D90,433 S *	8/1933	Borokoff	D9/502
D92,098 S *	4/1934	Little	D9/502
D94,881 S *	3/1935	Ganz	D9/505
D114,462 S *	4/1939	Platt	D9/502
D229,746 S *	1/1974	McPhee	D9/503
D270,520 S *	9/1983	Strand	D9/500

D379,151 S *	5/1997	Stevens	D9/503
D390,468 S *	2/1998	Ito	D9/503
D475,891 S *	6/2003	Bin	D7/510
D518,724 S *	4/2006	Arih	D9/502
D532,304 S *	11/2006	Epstein	D9/502
D538,657 S *	3/2007	Webb	D9/500
D538,658 S *	3/2007	Horne	D9/502
8,047,388 B2 *	11/2011	Kelley	B65D 1/0284 215/373
D650,235 S *	12/2011	Eyal	D7/510
D655,571 S *	3/2012	Tuttle	D7/510
D697,412 S *	1/2014	Jenkins	D9/445
D697,413 S *	1/2014	Jenkins	D9/500

* cited by examiner

Primary Examiner — Dana L Meyrow

(74) *Attorney, Agent, or Firm* — Mario A. Tabone; Plastipak Packaging, Inc.

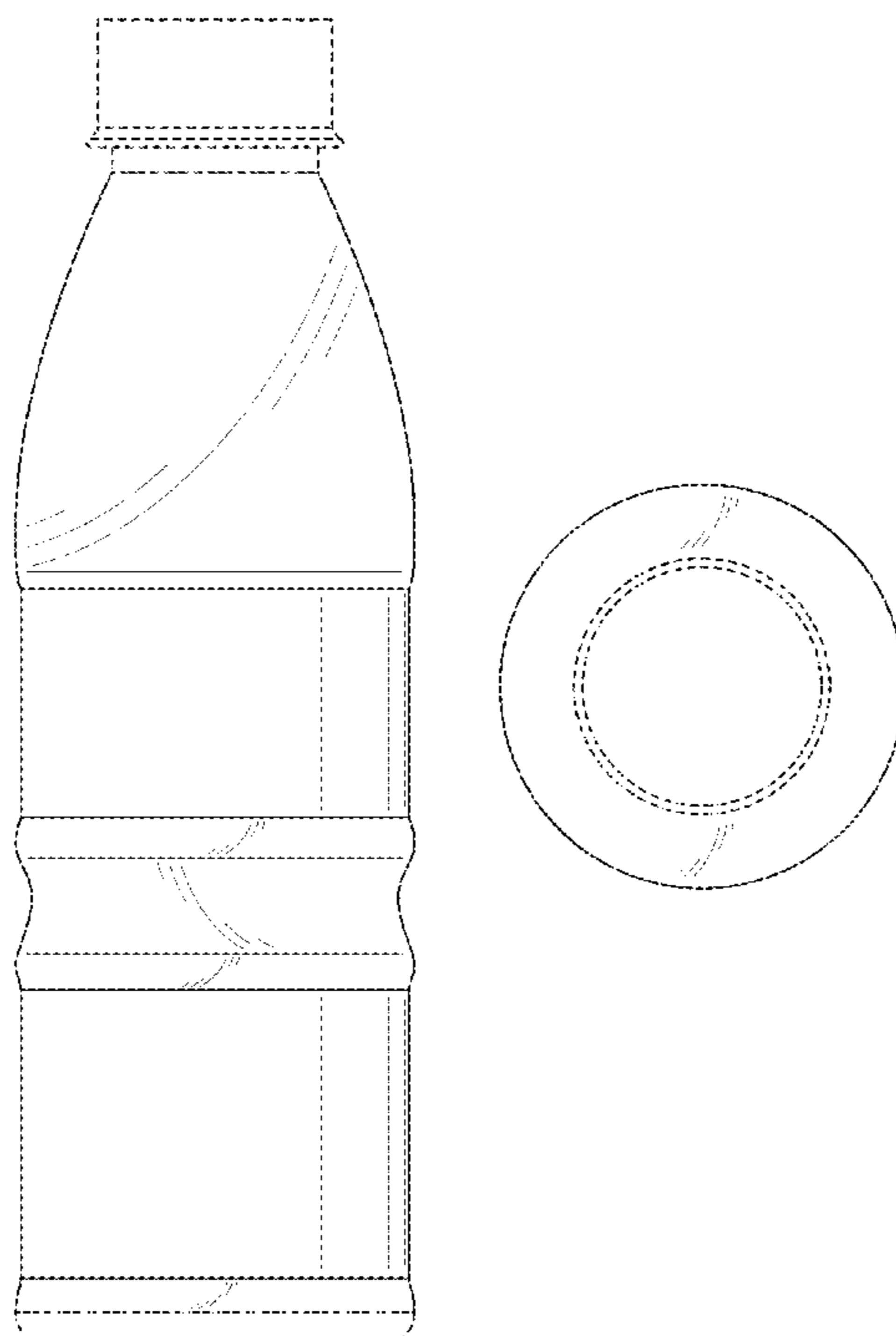
(57) **CLAIM**

The ornamental design for a container body portion, as shown and described.

DESCRIPTION

FIG. 1 is a top-front-left perspective view of a container body portion showing an embodiment of the claimed design; FIG. 2 is a front elevational view of FIG. 1; FIG. 3 is a rear elevational view of FIG. 1; FIG. 4 is a right side elevational view of FIG. 1; FIG. 5 is a left side elevational view of FIG. 1; FIG. 6 is a top plan view of FIG. 1; and, FIG. 7 is a bottom plan view of FIG. 1. The broken lines shown in the drawings illustrate portions of the container body portion that form no part of the claimed design.

1 Claim, 6 Drawing Sheets



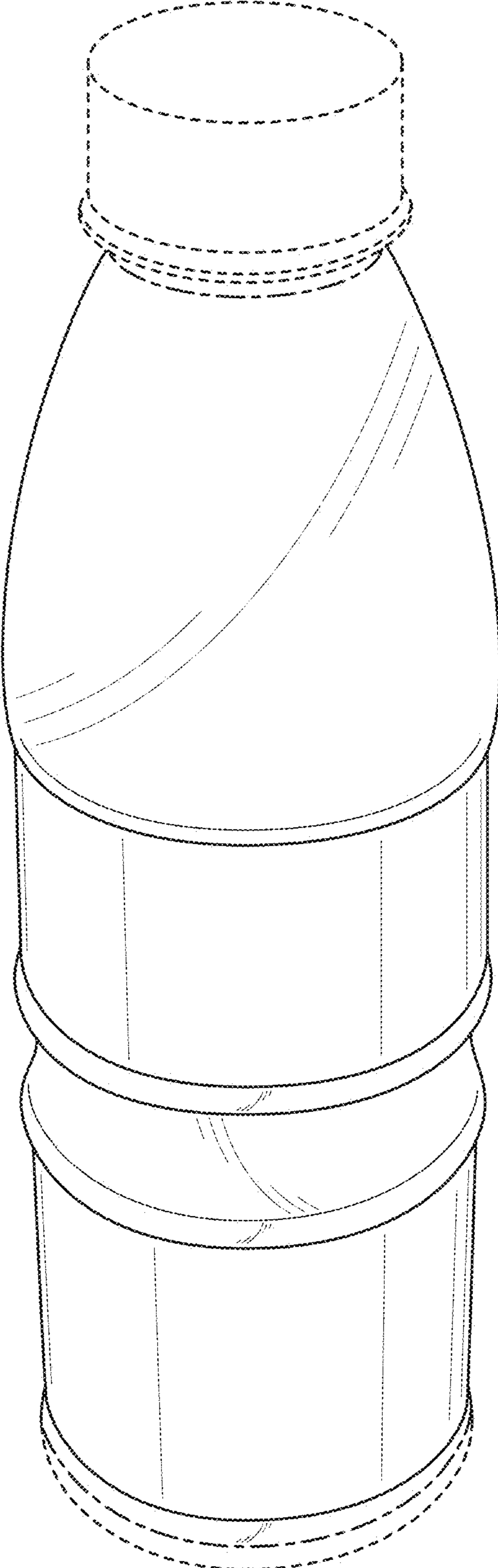


FIG. 1

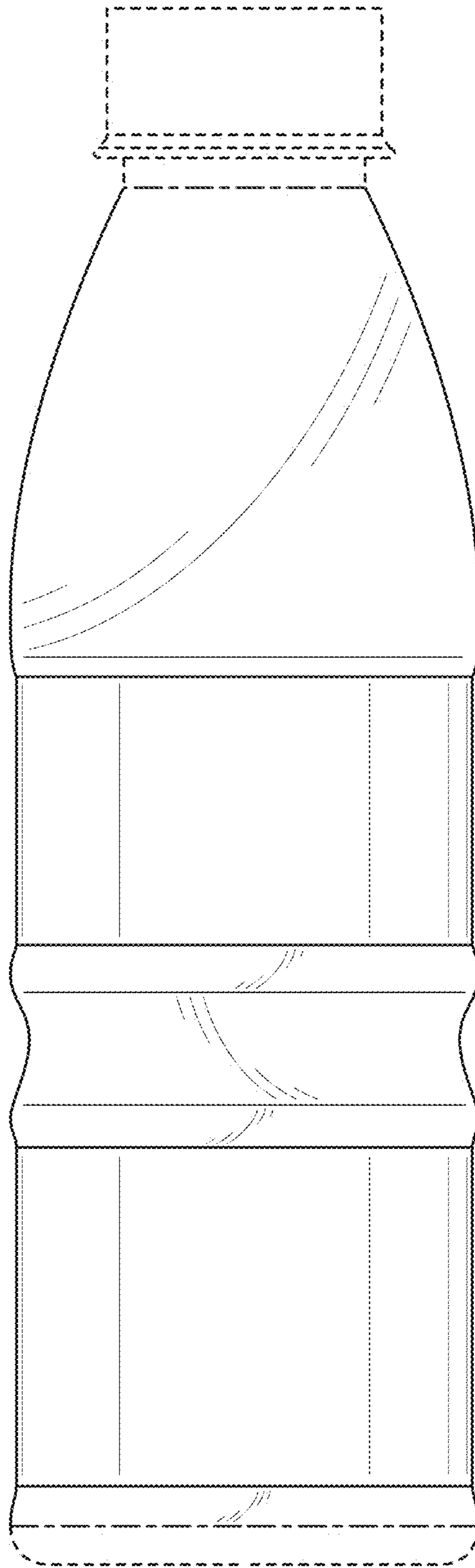


FIG. 2

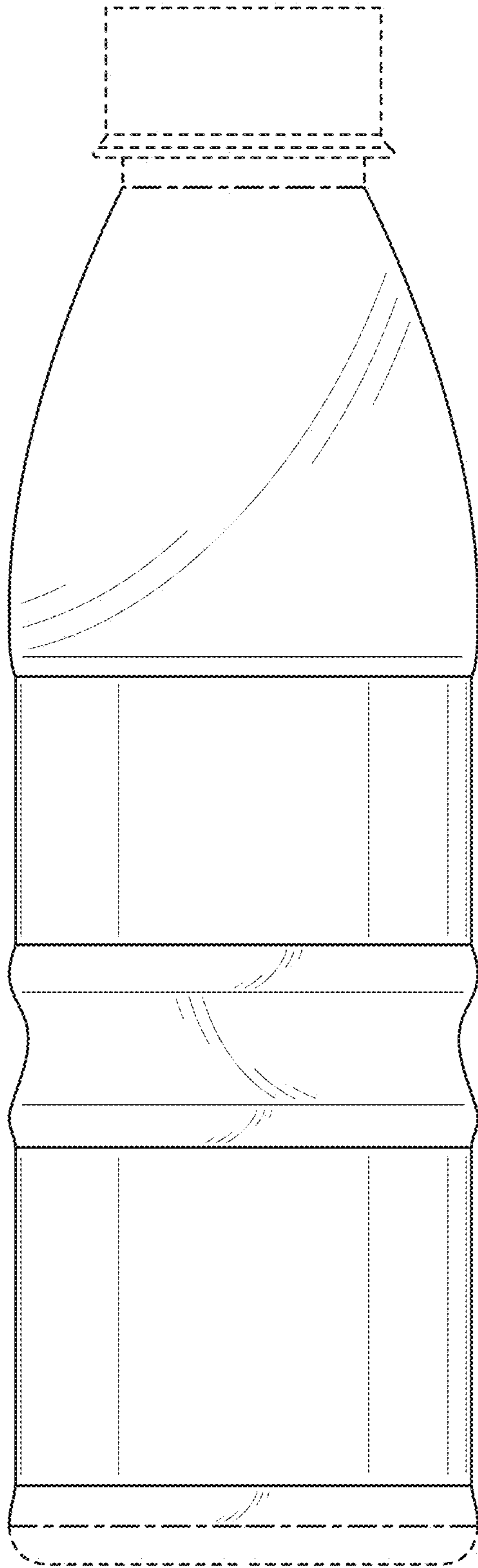


FIG. 3

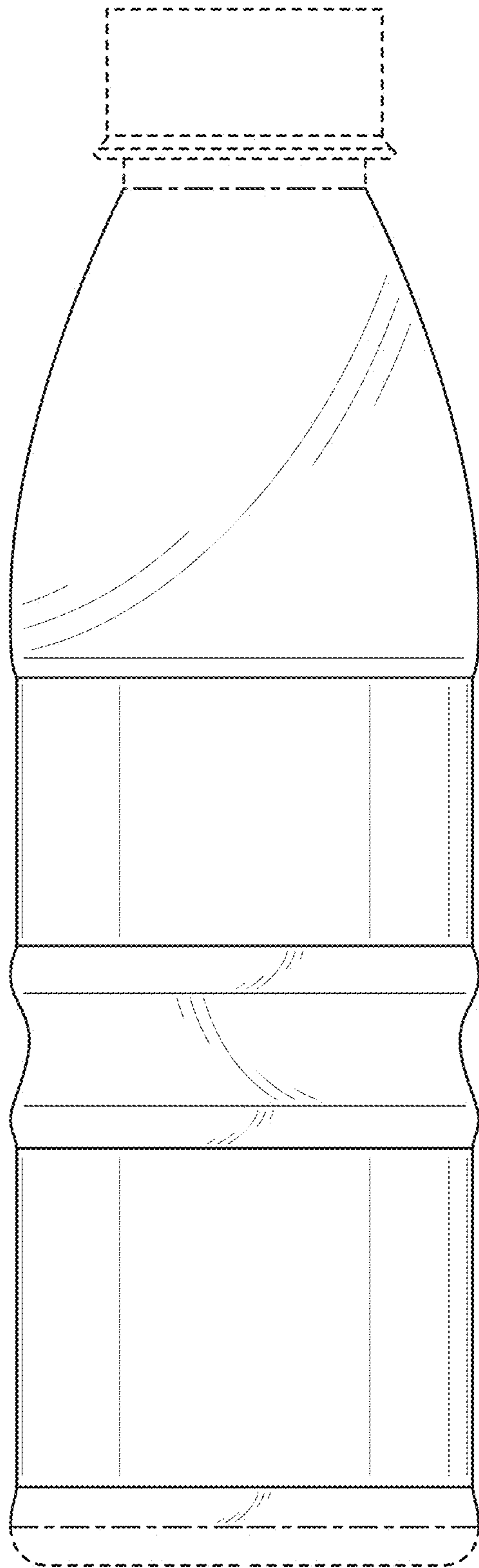


FIG. 4

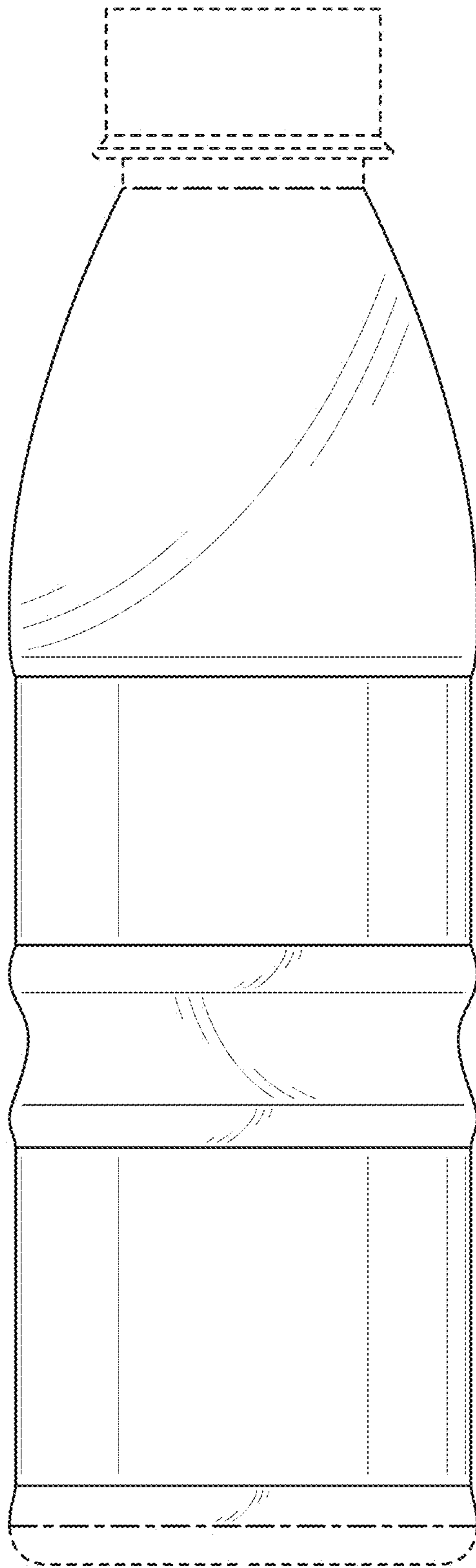


FIG. 5

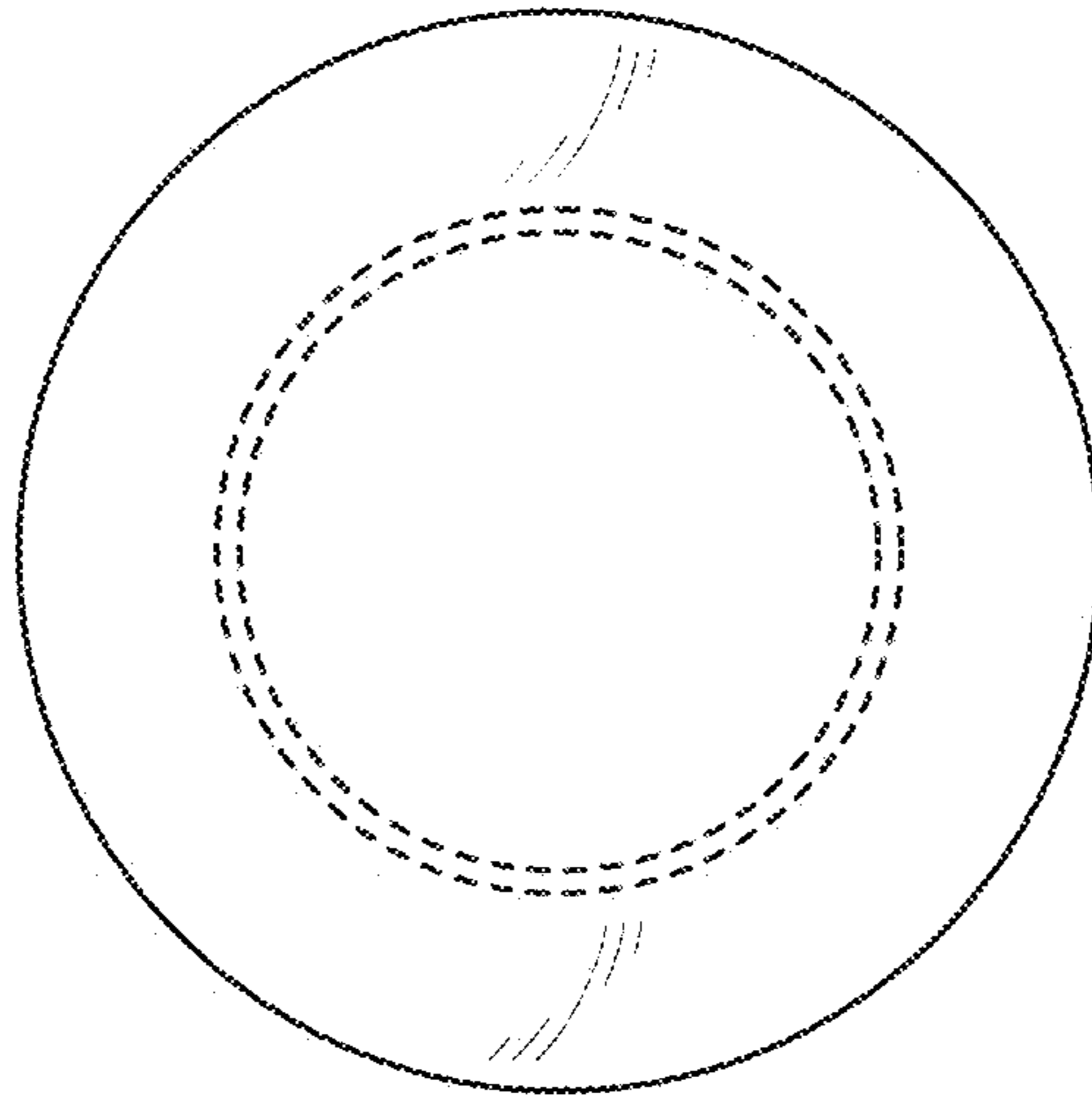


FIG. 6

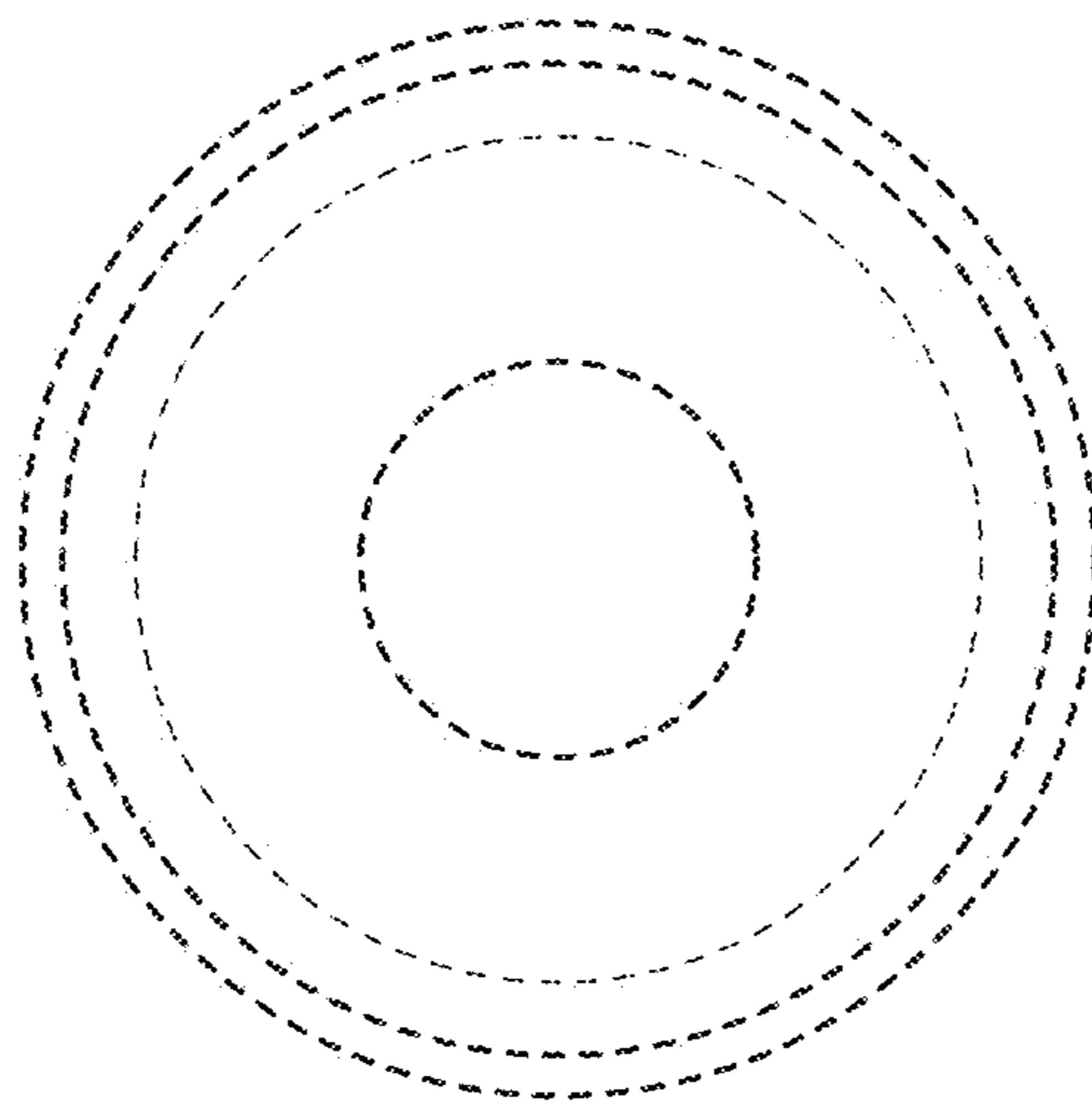


FIG. 7