



US00D749416S

(12) **United States Design Patent**  
**Herbst**

(10) **Patent No.:** **US D749,416 S**

(45) **Date of Patent:** **\*\* Feb. 16, 2016**

- (54) **BOTTLE CAP**
- (71) Applicant: **O2Cool, LLC**, Chicago, IL (US)
- (72) Inventor: **Scot Herbst**, Santa Cruz, CA (US)
- (73) Assignee: **O2COOL, LLC**, Chicago, IL (US)

D713,253 S *	9/2014	Hodges	.....	D9/529
D719,827 S	12/2014	Duran et al.		
D721,276 S	1/2015	Herbst		
D724,945 S *	3/2015	Davis	.....	D9/447
D725,469 S *	3/2015	Davis	.....	D9/447
D734,151 S	7/2015	Herbst		
2014/0061255 A1 *	3/2014	El-Saden	.....	B65D 47/066 222/537

(\*\*) Term: **15 Years**

(21) Appl. No.: **29/530,046**

(22) Filed: **Jun. 12, 2015**

(51) **LOC (10) Cl.** ..... **09-07**

(52) **U.S. Cl.**  
USPC ..... **D9/447**

(58) **Field of Classification Search**  
USPC ..... D9/434, 435, 436, 440, 442, 447, 449;  
D7/392.1, 396.2  
CPC ..... B65D 47/06; B65D 47/061; B65D 47/243  
See application file for complete search history.

(56) **References Cited**

**U.S. PATENT DOCUMENTS**

D226,179 S *	1/1973	Bystedt et al.	.....	D9/552
D358,964 S	6/1995	Foster et al.		
D390,462 S	2/1998	Mao		
D461,361 S *	8/2002	Orr	.....	D7/392.1
D538,649 S *	3/2007	Anderson	.....	D9/447
D580,264 S *	11/2008	Szasz	.....	D9/447
D586,183 S	2/2009	Junkel		
D629,644 S	12/2010	Zhuang et al.		
D657,194 S	4/2012	McIntire et al.		
D690,162 S	9/2013	Staton		
D691,420 S	10/2013	McIntire		
D709,371 S *	7/2014	Santarelli	.....	D9/447

**OTHER PUBLICATIONS**

Gatorade Squeeze Bottle—32 Ounces—SportsAuthority.com, downloaded Sep. 14, 2015 from <http://www.sportauthority.com/GATORADE-Squeeze-Bottle-32-Ounces/product.jsp?productID=11573459>.

\* cited by examiner

*Primary Examiner* — Robert M Spear  
(74) *Attorney, Agent, or Firm* — Thompson Coburn LLP

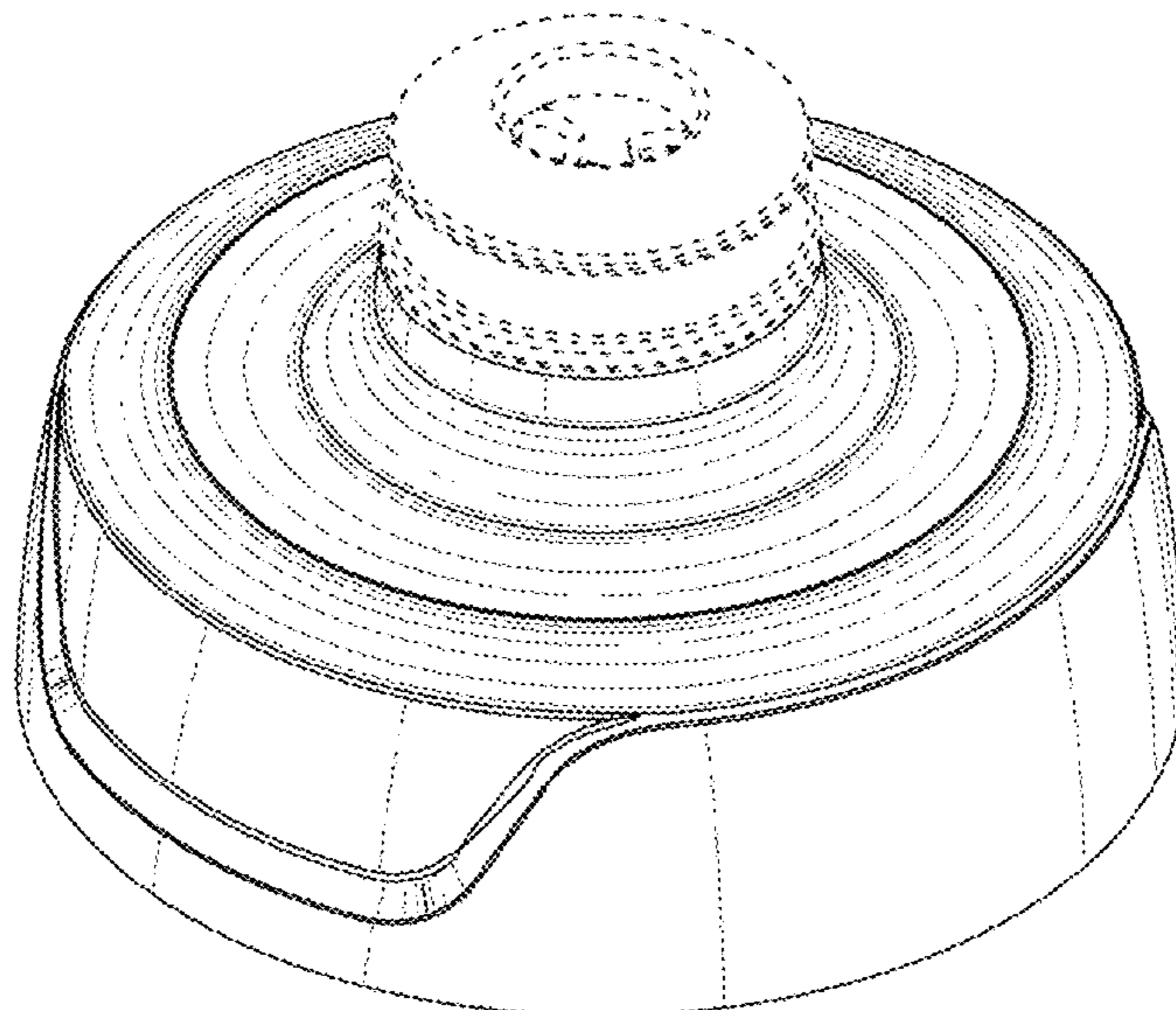
(57) **CLAIM**

I claim the ornamental design for a bottle cap, as shown and described.

**DESCRIPTION**

FIG. 1 is a top perspective view of the bottle cap showing our new design;  
FIG. 2 is a bottom perspective view thereof;  
FIG. 3 is a front view with the rear view being identical;  
FIG. 4 is a right side view with the left side view being identical;  
FIG. 5 is a top view thereof; and,  
FIG. 6 is a bottom view thereof.  
The broken lines in the drawings depict environmental subject matter only and form no part of the claimed design.

**1 Claim, 5 Drawing Sheets**



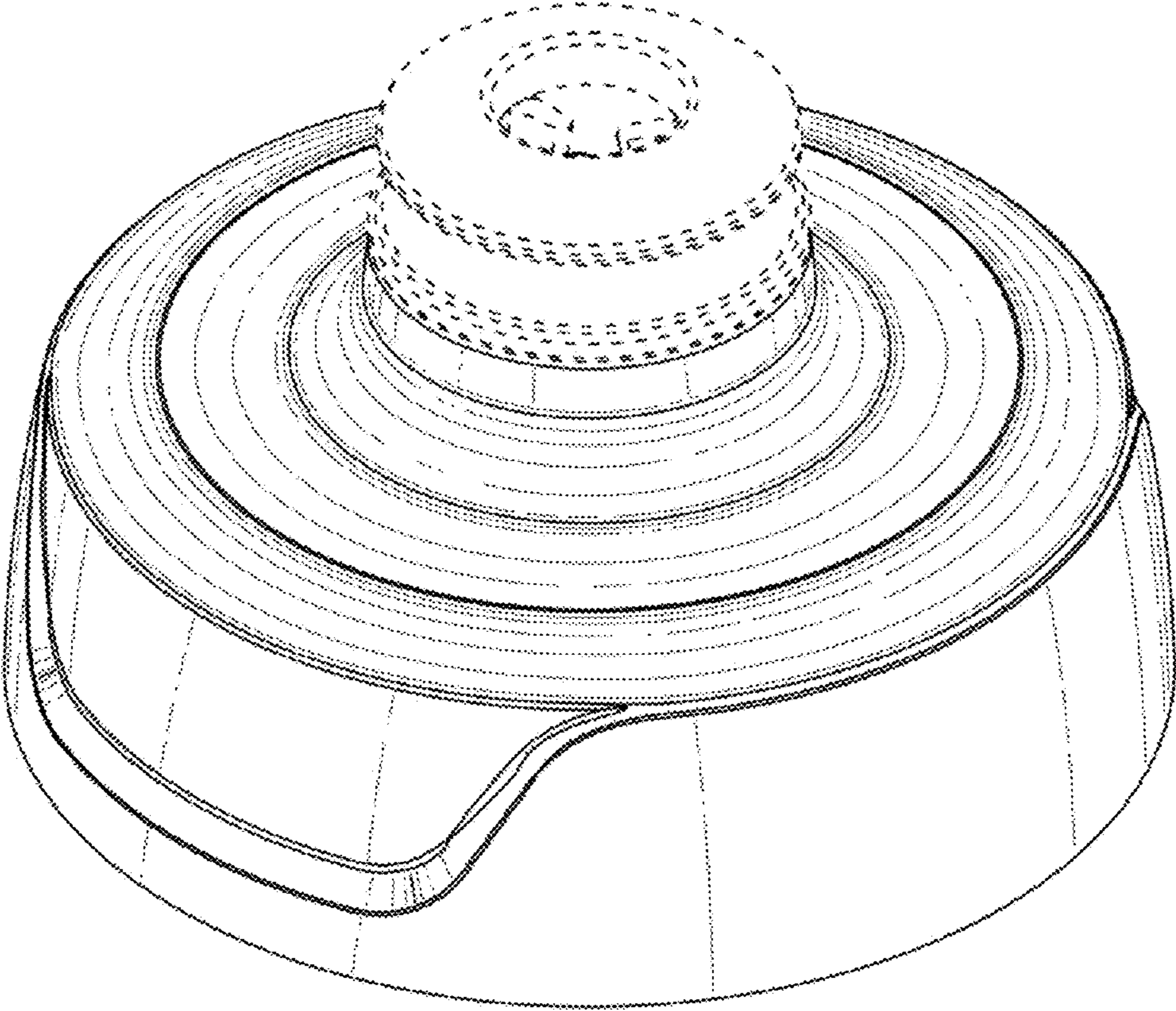


FIG. 1

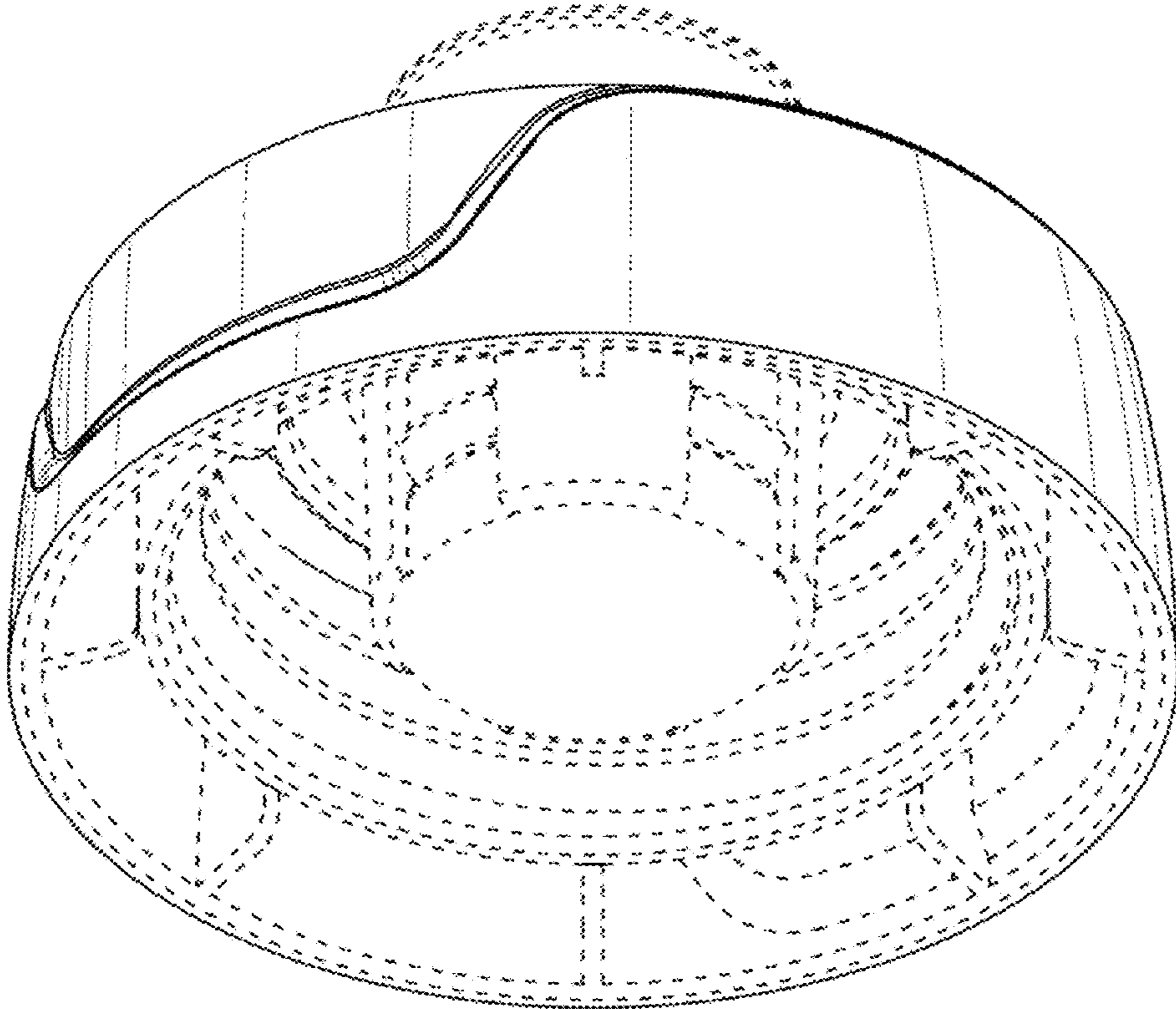


FIG. 2

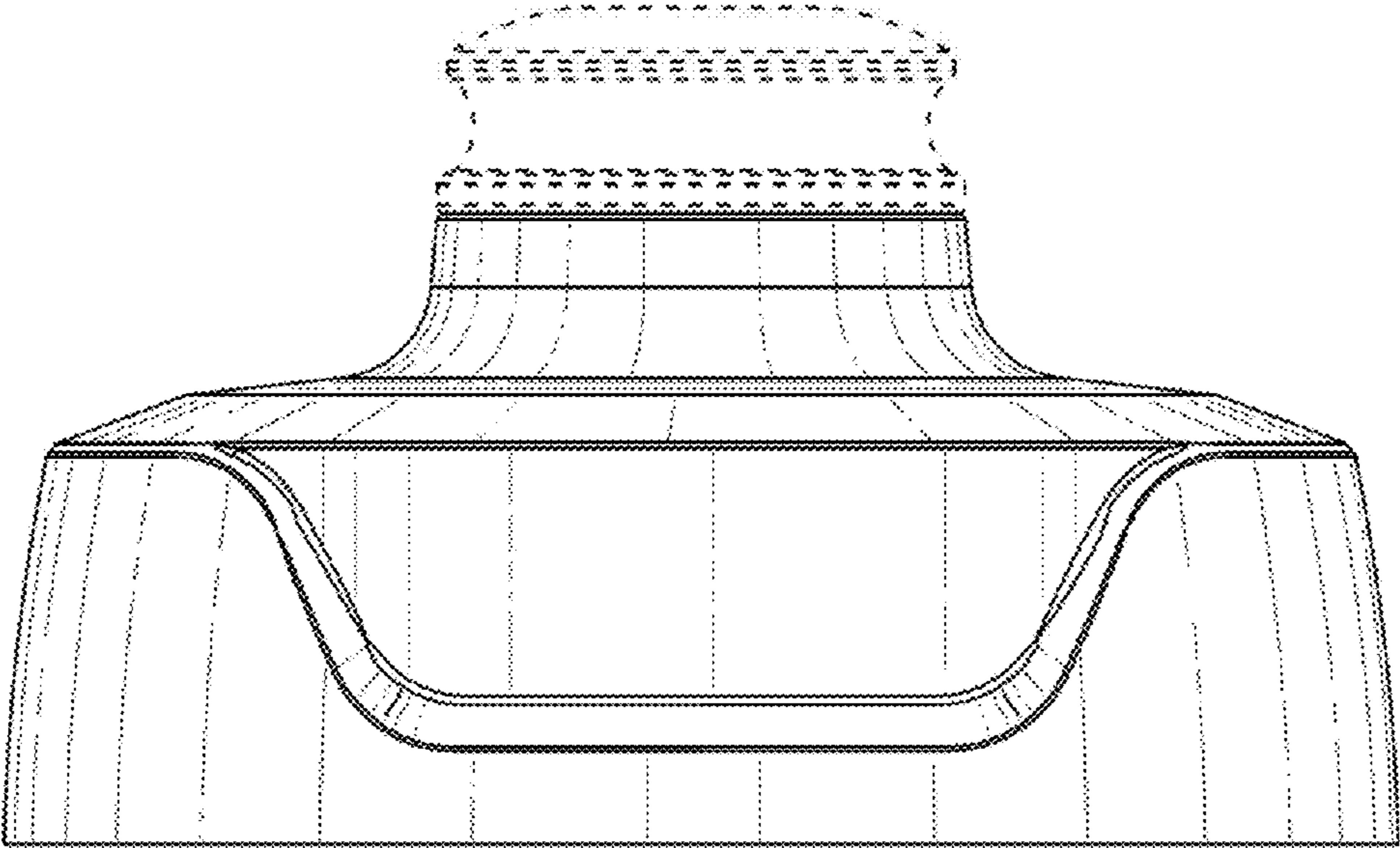


FIG. 3

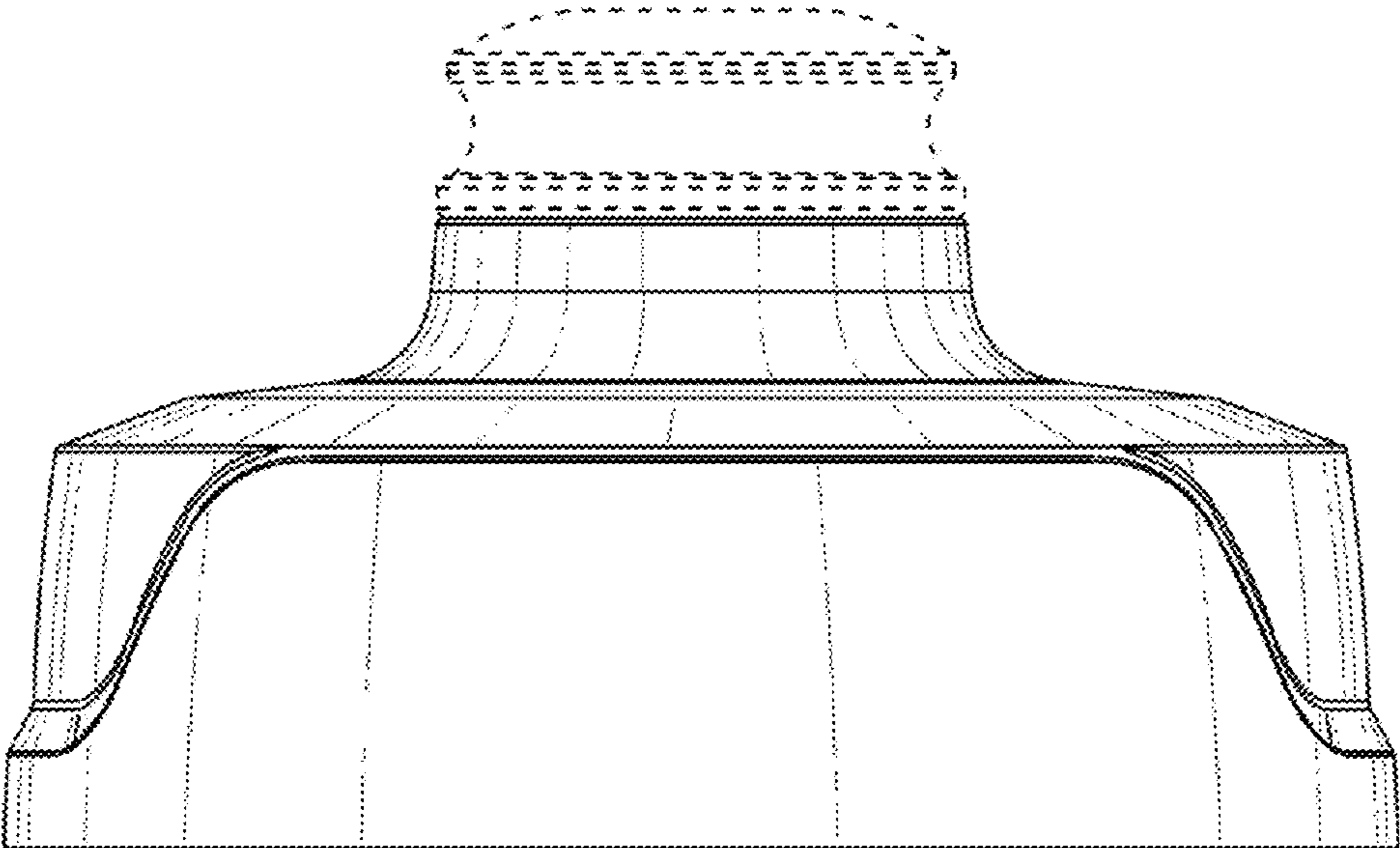


FIG. 4

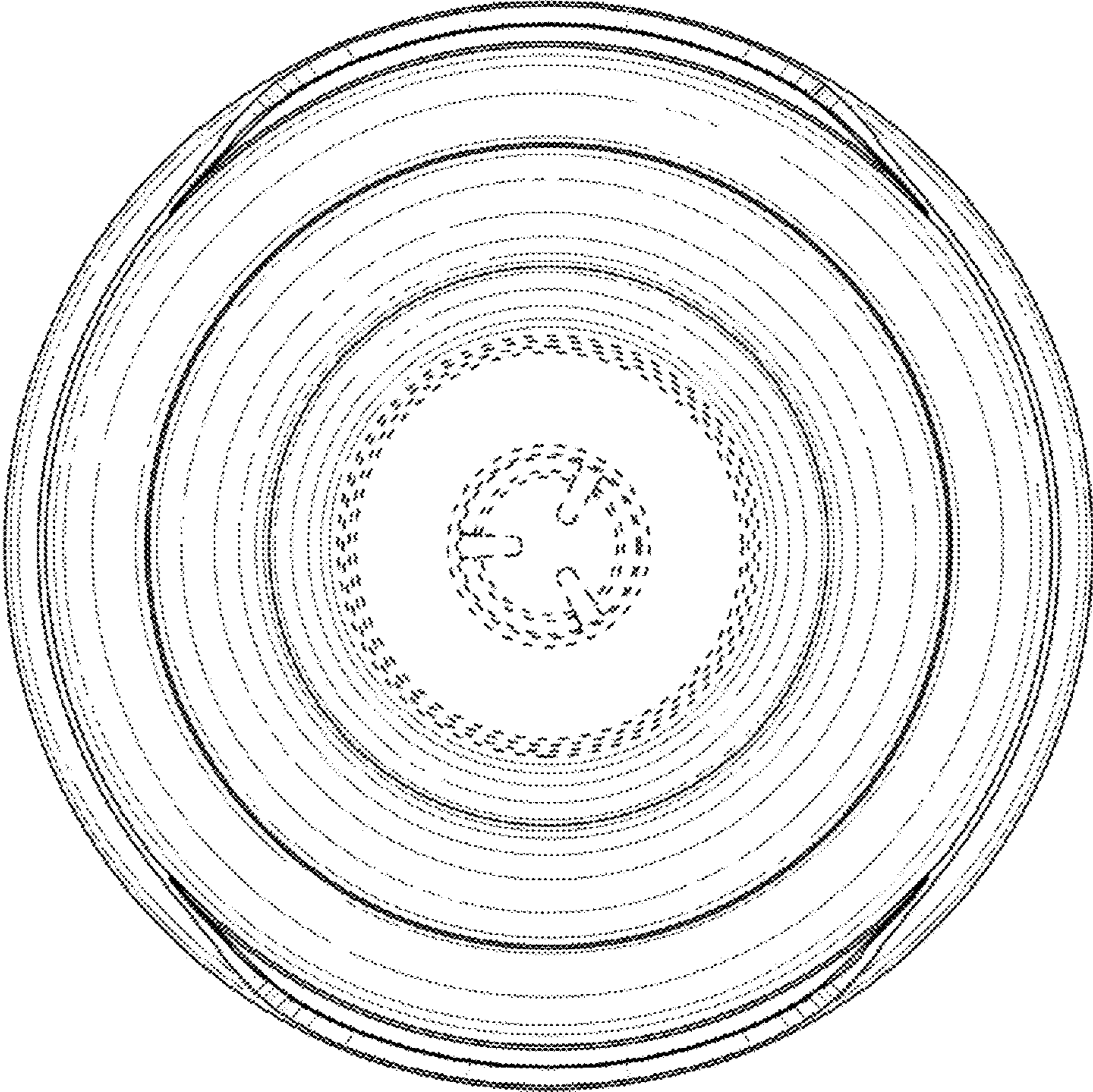


FIG. 5

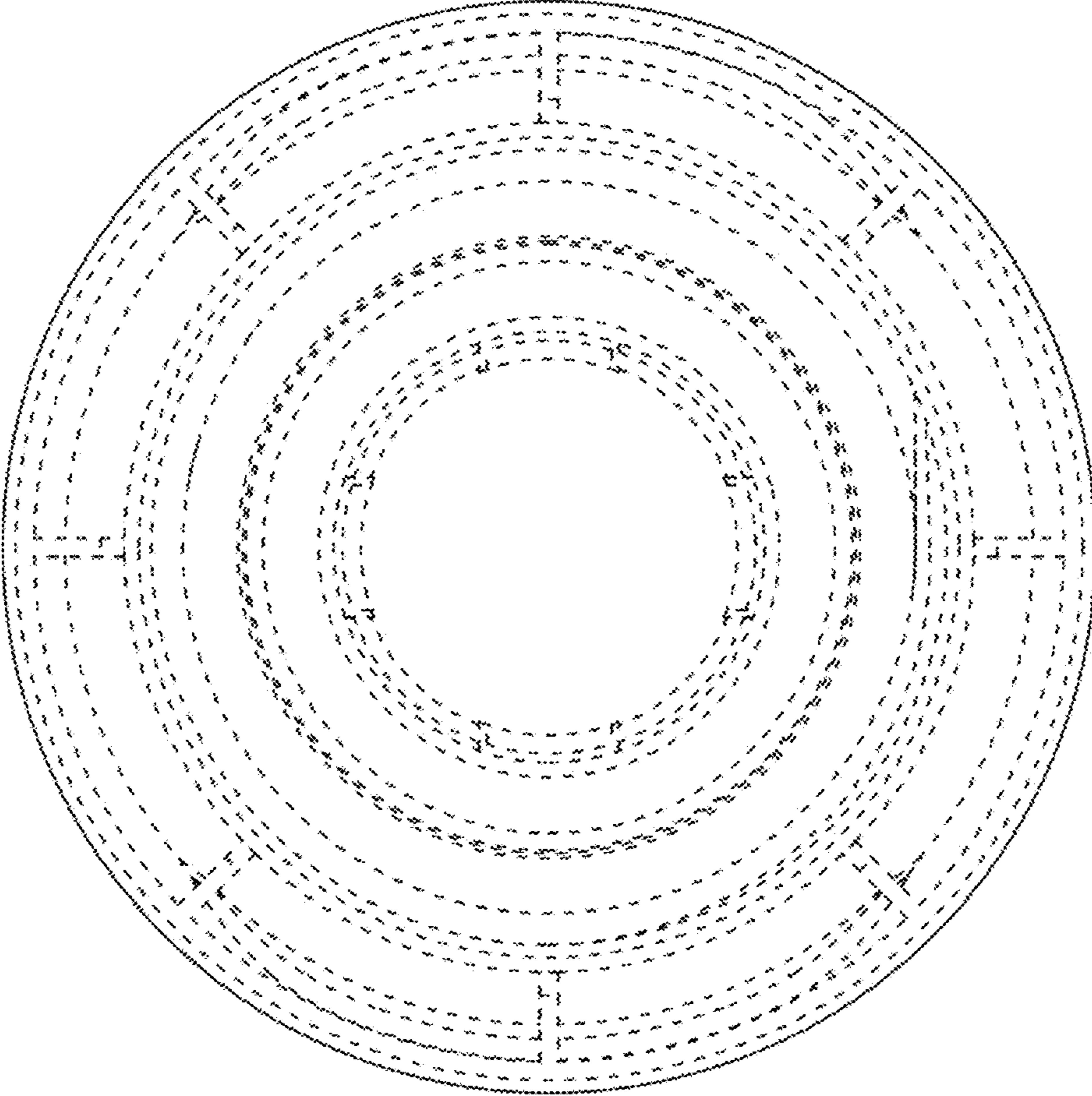


FIG. 6