



US00D749411S

(12) **United States Design Patent**
Corsetti

(10) **Patent No.:** **US D749,411 S**

(45) **Date of Patent:** **** Feb. 16, 2016**

(54) **COFFEE PAD**

(71) Applicant: **COFFEE ONE COFFEE SYSTEM PTE. LTD.**, Singapore (SG)

(72) Inventor: **Francesco Corsetti**, Rougemont (CH)

(73) Assignee: **COFFEE ONE COFFEE SYSTEM PTE. LTD.**, Singapore (SG)

(**) Term: **14 Years**

(21) Appl. No.: **29/510,504**

(22) Filed: **Nov. 29, 2014**

(30) **Foreign Application Priority Data**

May 30, 2014 (EP) 002473967

(51) **LOC (10) Cl.** **09-03**

(52) **U.S. Cl.**
USPC **D9/416**

(58) **Field of Classification Search**
USPC D9/416, 414, 420, 432, 734, 430, 431,
D9/675, 425, 759, 428, 429; D6/629, 630;
D3/201, 203.2; D13/110, 102, 152;
206/351, 409; 221/305
CPC B65D 85/04; B65D 75/366; B65D 71/36;
G11B 33/0444

See application file for complete search history.

(56) **References Cited**

U.S. PATENT DOCUMENTS

D570,650 S * 6/2008 Vovan D7/629
D642,454 S * 8/2011 Santoiemmo D9/428
D652,266 S * 1/2012 Smyers D7/630
D675,089 S * 1/2013 Cook D9/428
D681,448 S * 5/2013 O'Malley D9/429
D684,048 S * 6/2013 Hodge D9/429

D684,460 S * 6/2013 Hodge D9/429
D684,856 S * 6/2013 Hodge D9/429
D686,916 S * 7/2013 O'Brien D9/429
D689,768 S * 9/2013 Inderbitzin D9/429
D695,110 S * 12/2013 Houlton D9/500
D695,111 S * 12/2013 Hansen D9/429
D697,797 S * 1/2014 Hansen D9/429
D708,057 S * 7/2014 Hansen D9/429

* cited by examiner

Primary Examiner — Holly Baynham

Assistant Examiner — Rhea Shields

(74) *Attorney, Agent, or Firm* — Koppel, Patrick, Heybl & Philpott

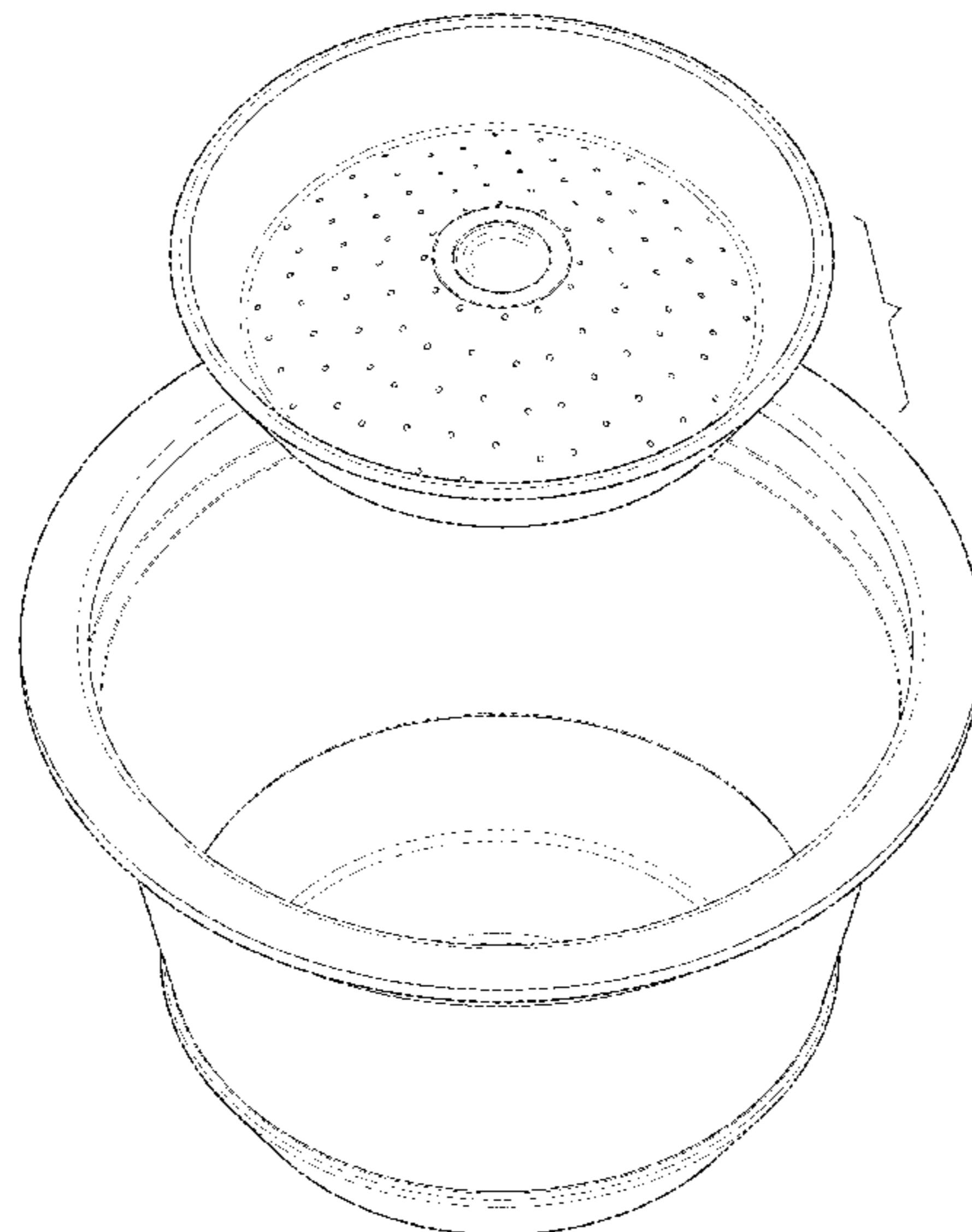
(57) **CLAIM**

The ornamental design for a coffee pad, as shown and described.

DESCRIPTION

FIG. 1 is a perspective view of a coffee pad shown in a closed position;
FIG. 2 is a perspective view thereof taken from below;
FIG. 3 is a front view thereof;
FIG. 4 is a rear view thereof;
FIG. 5 is a left side view thereof;
FIG. 6 is a top view thereof;
FIG. 7 is a bottom view thereof;
FIG. 8 is a perspective view of a coffee pad shown in an open position;
FIG. 9 is a perspective view thereof taken from below;
FIG. 10 is a front view thereof;
FIG. 11 is a rear view thereof;
FIG. 12 is a left side view thereof;
FIG. 13 is a top view thereof;
FIG. 14 is a bottom view thereof; and,
FIG. 15 is an open perspective and exploded view thereof.

1 Claim, 15 Drawing Sheets



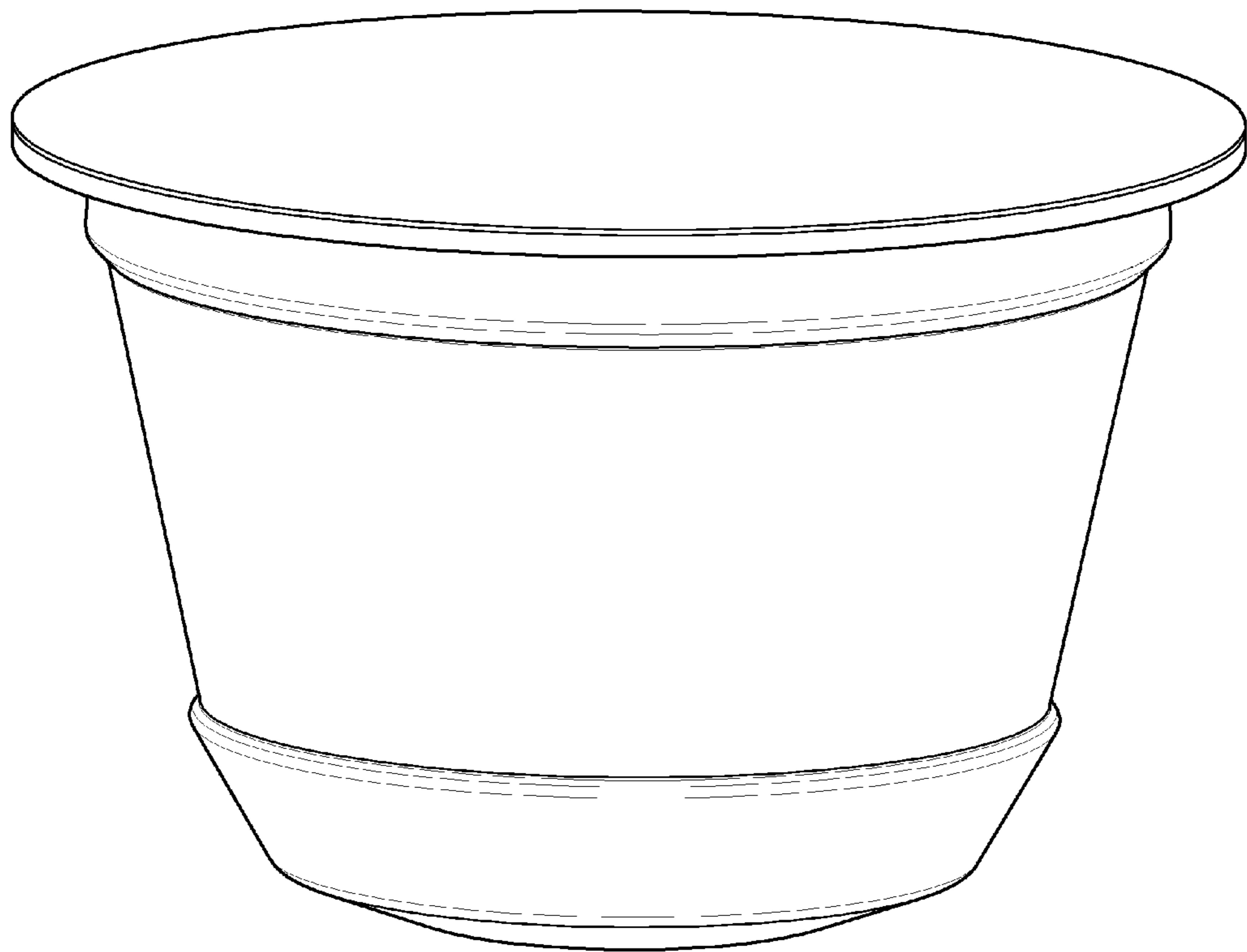


Fig. 1

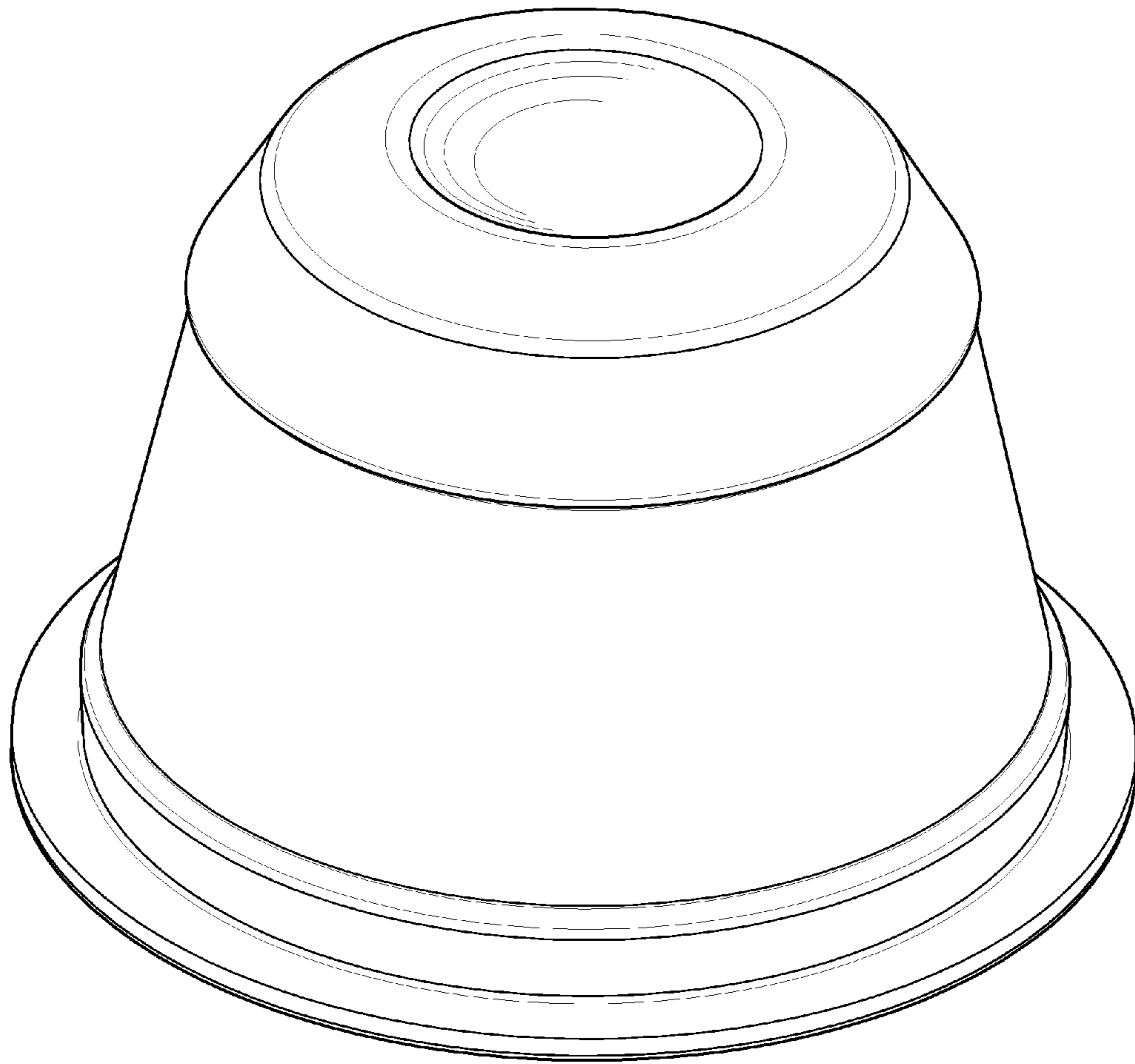


Fig. 2

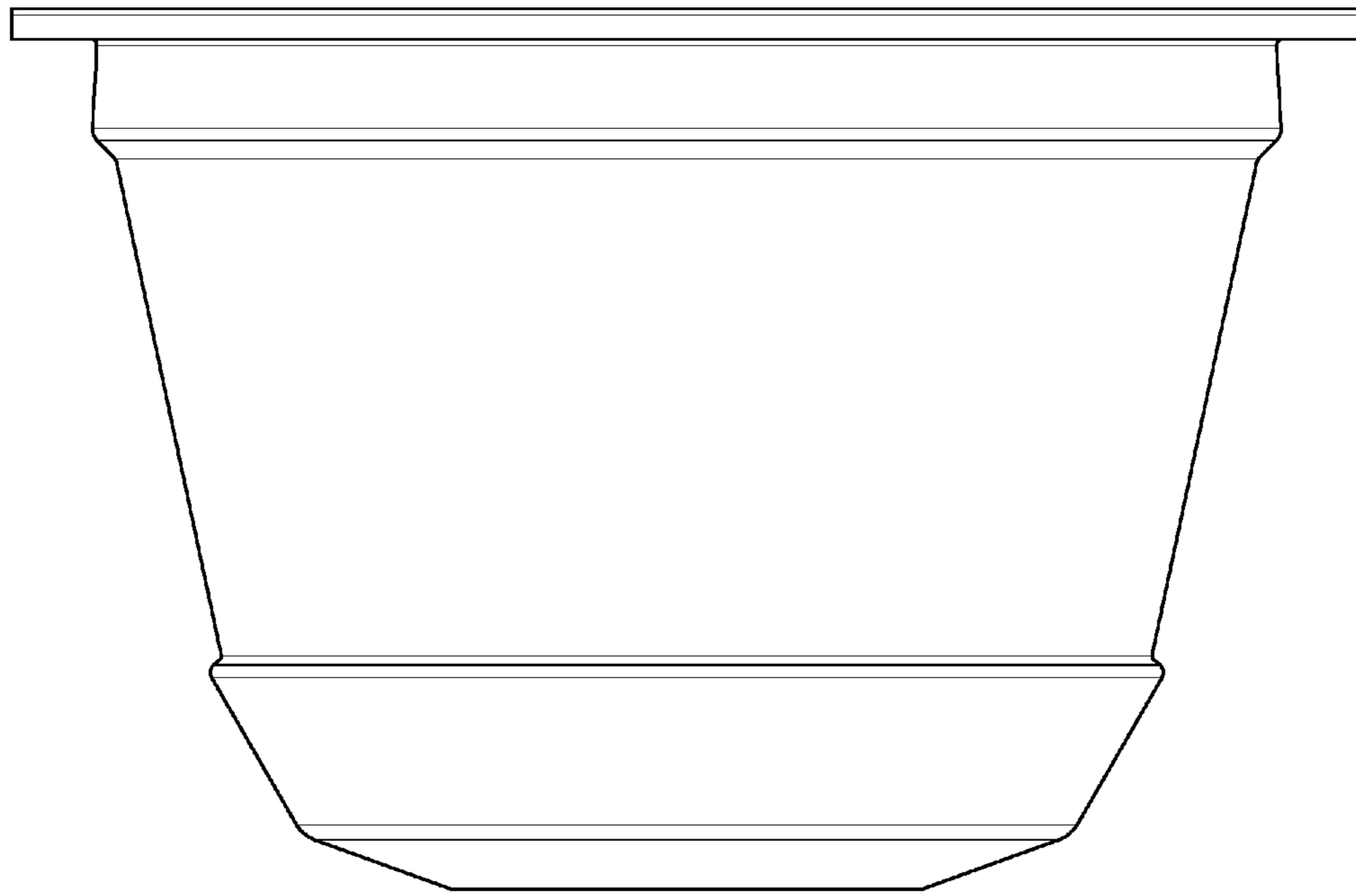


Fig. 3

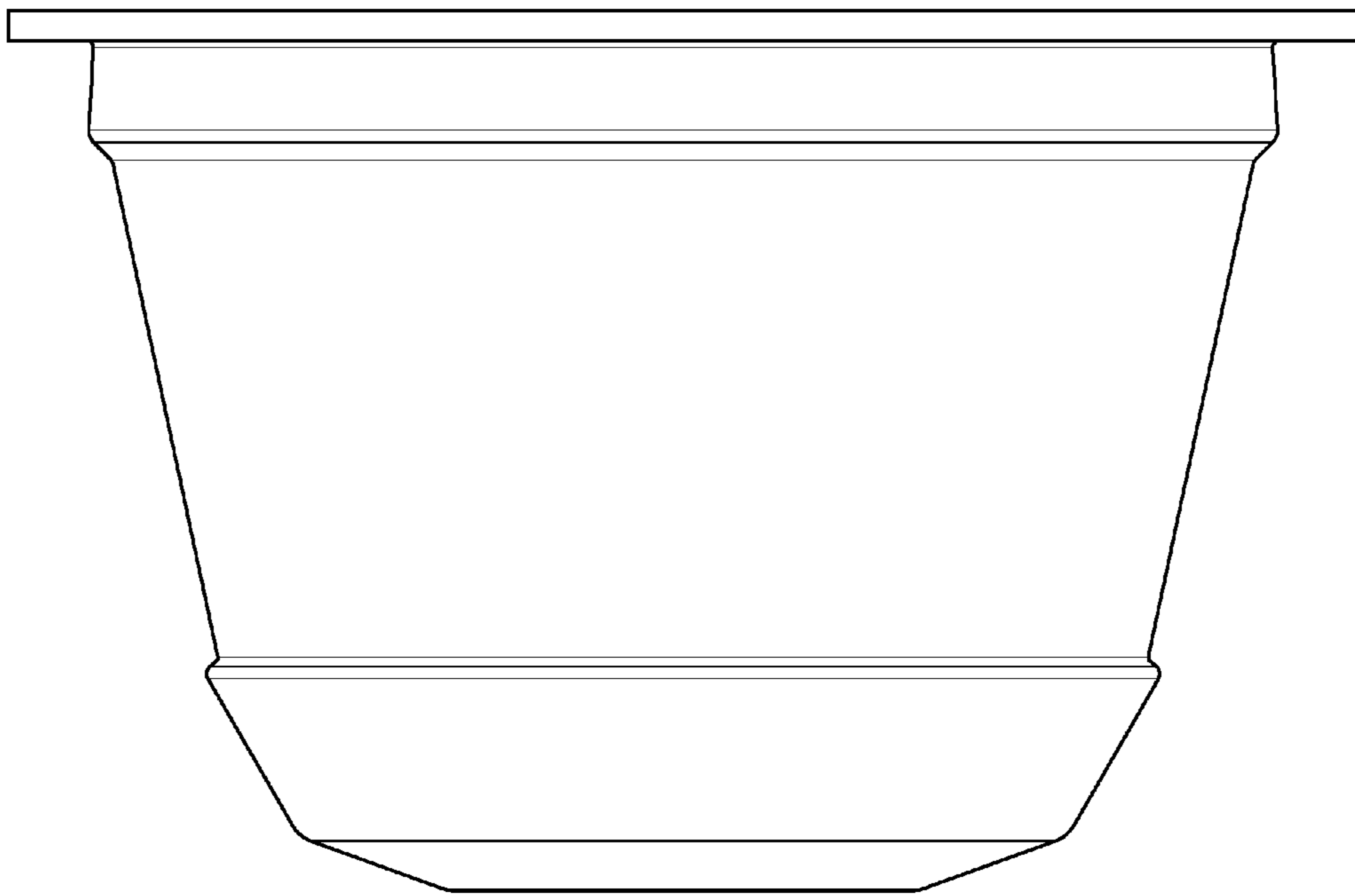


Fig. 4

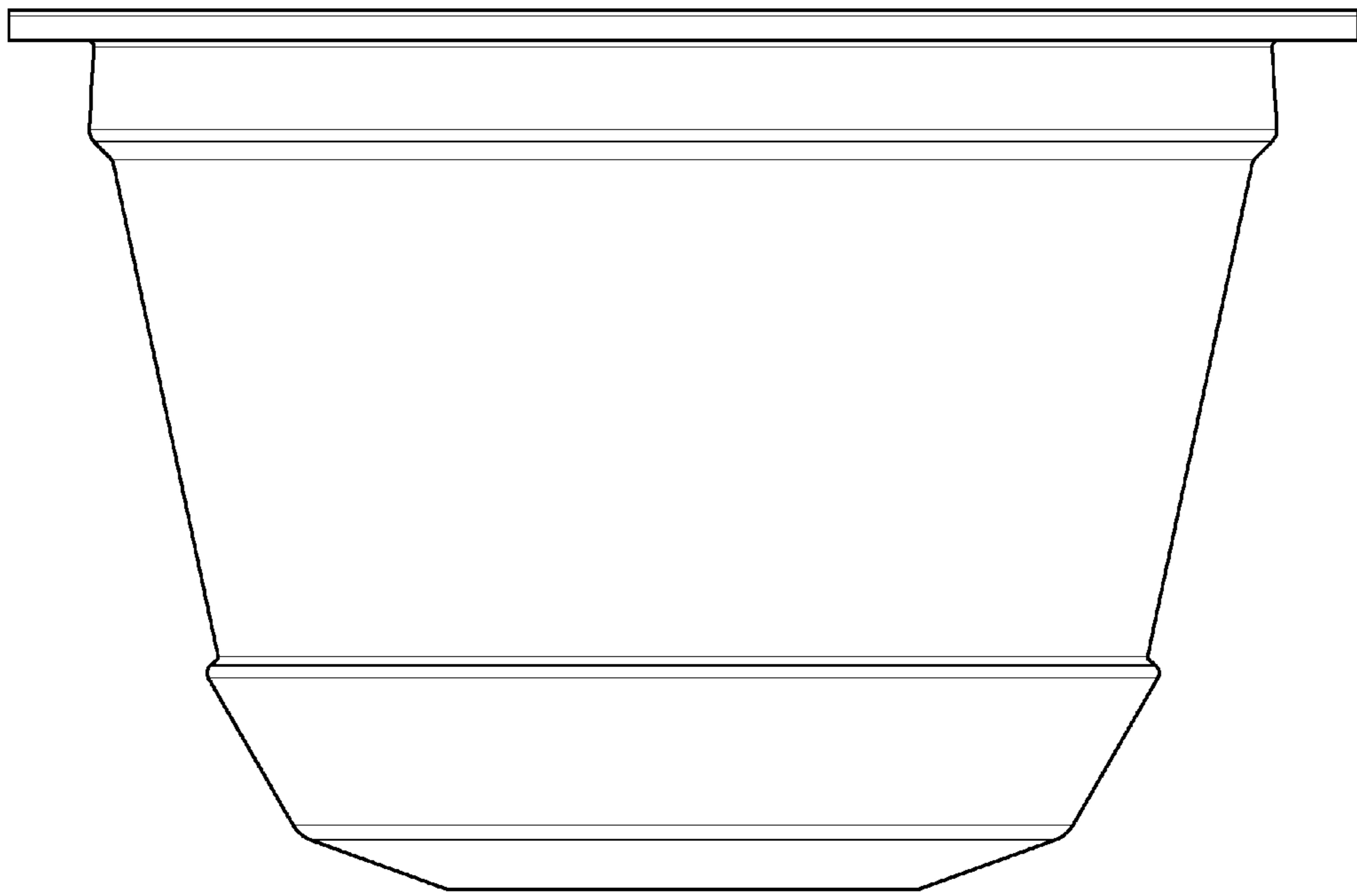


Fig. 5

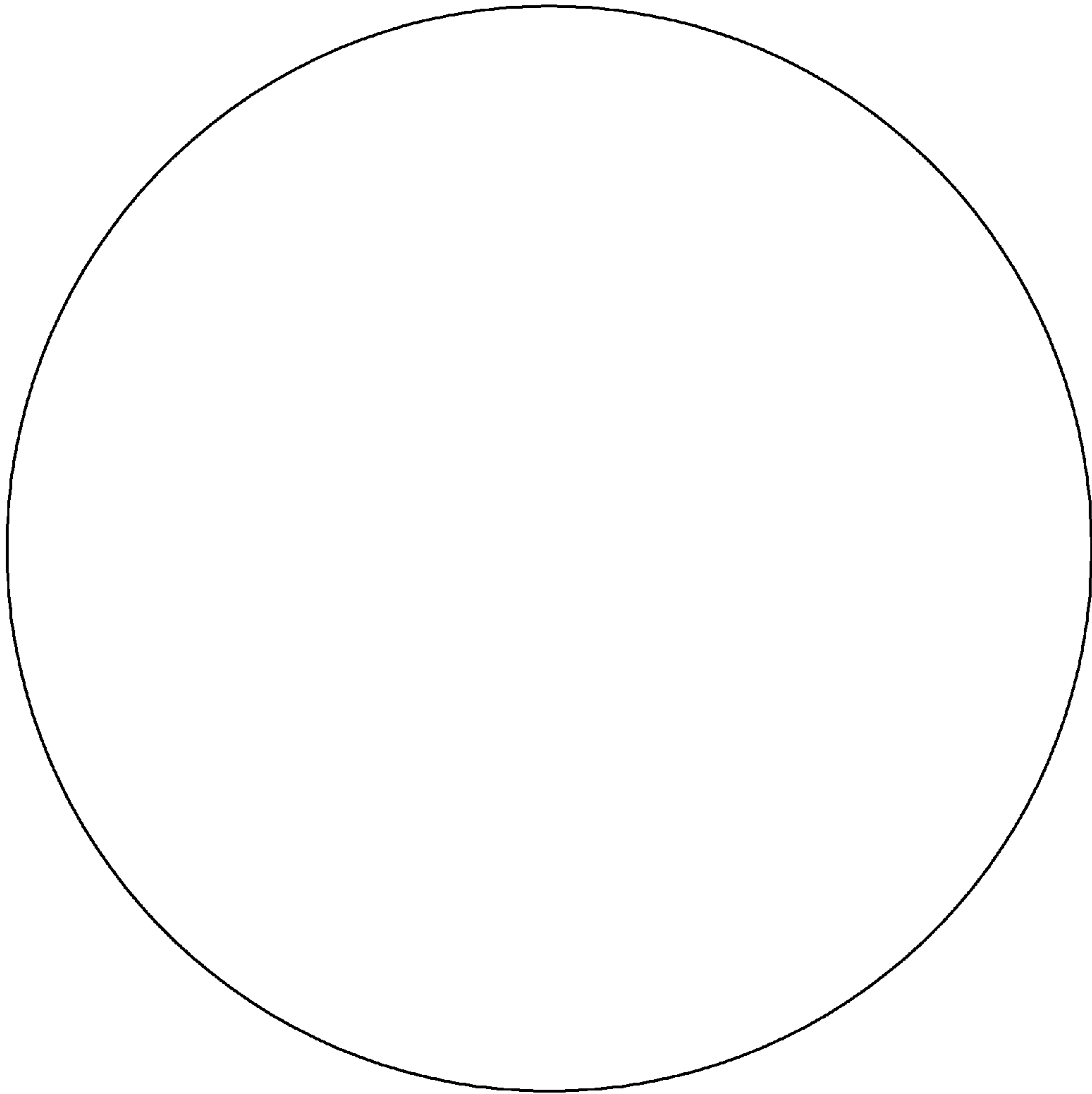


Fig. 6

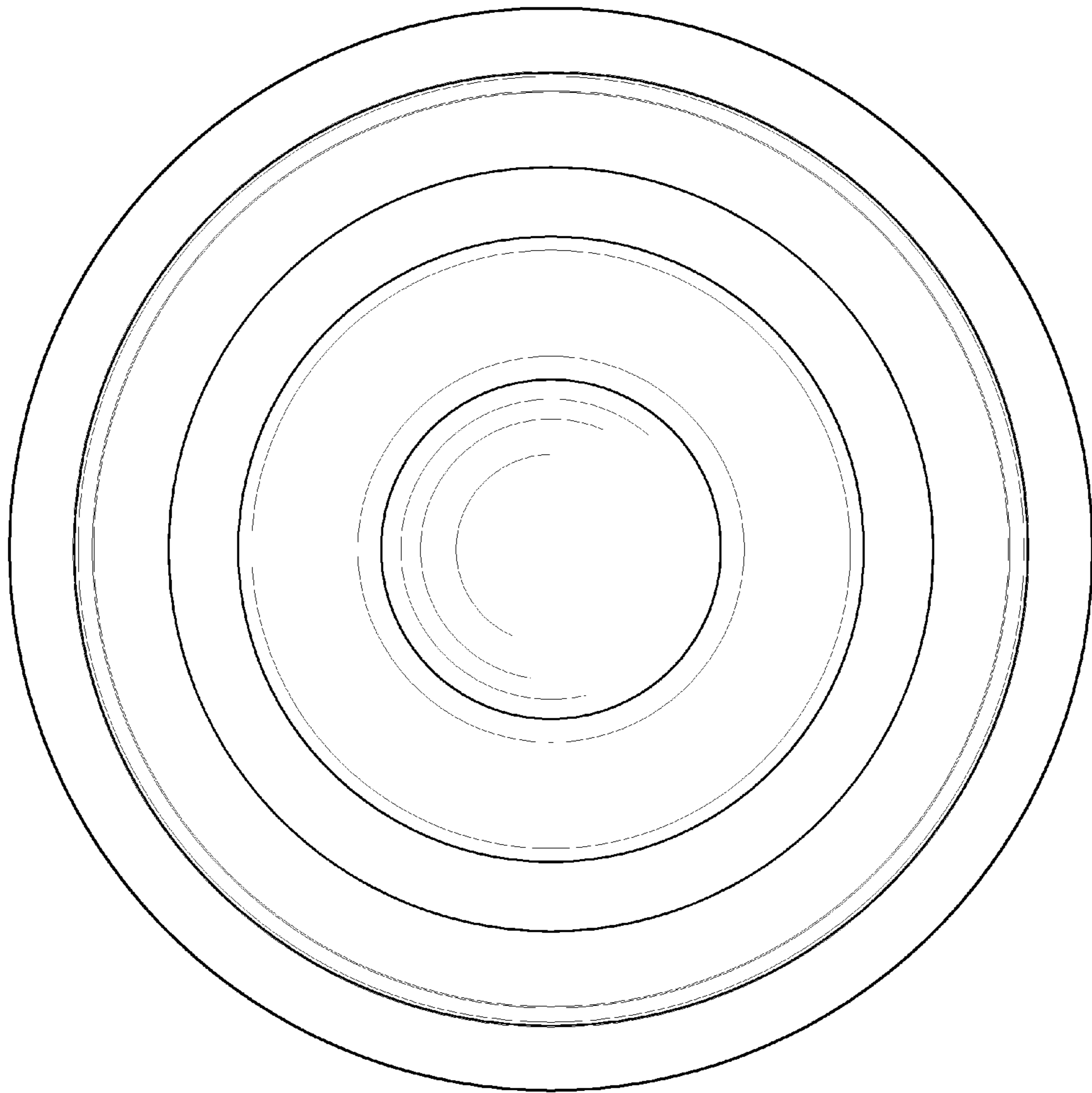


Fig. 7

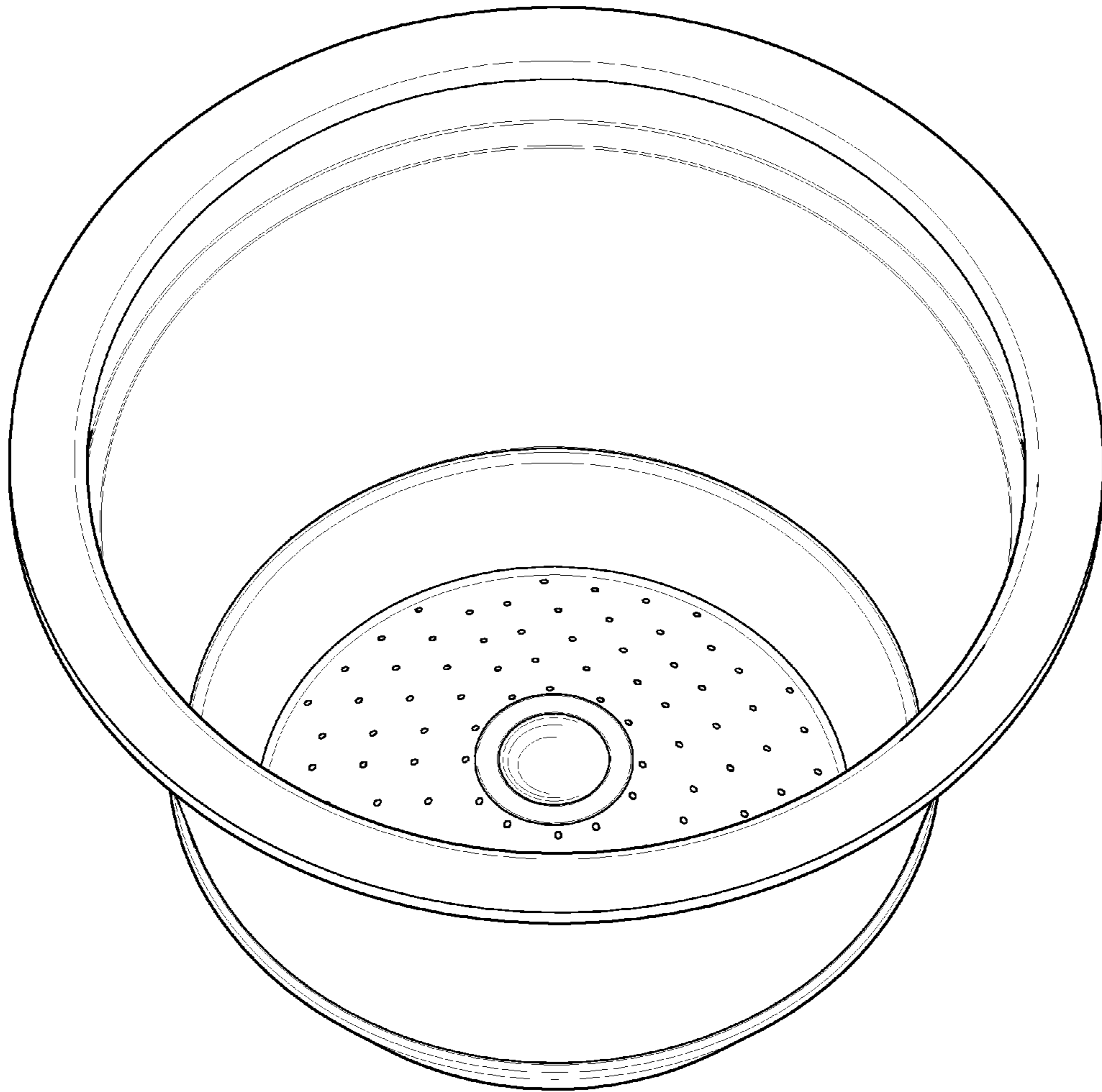


Fig. 8

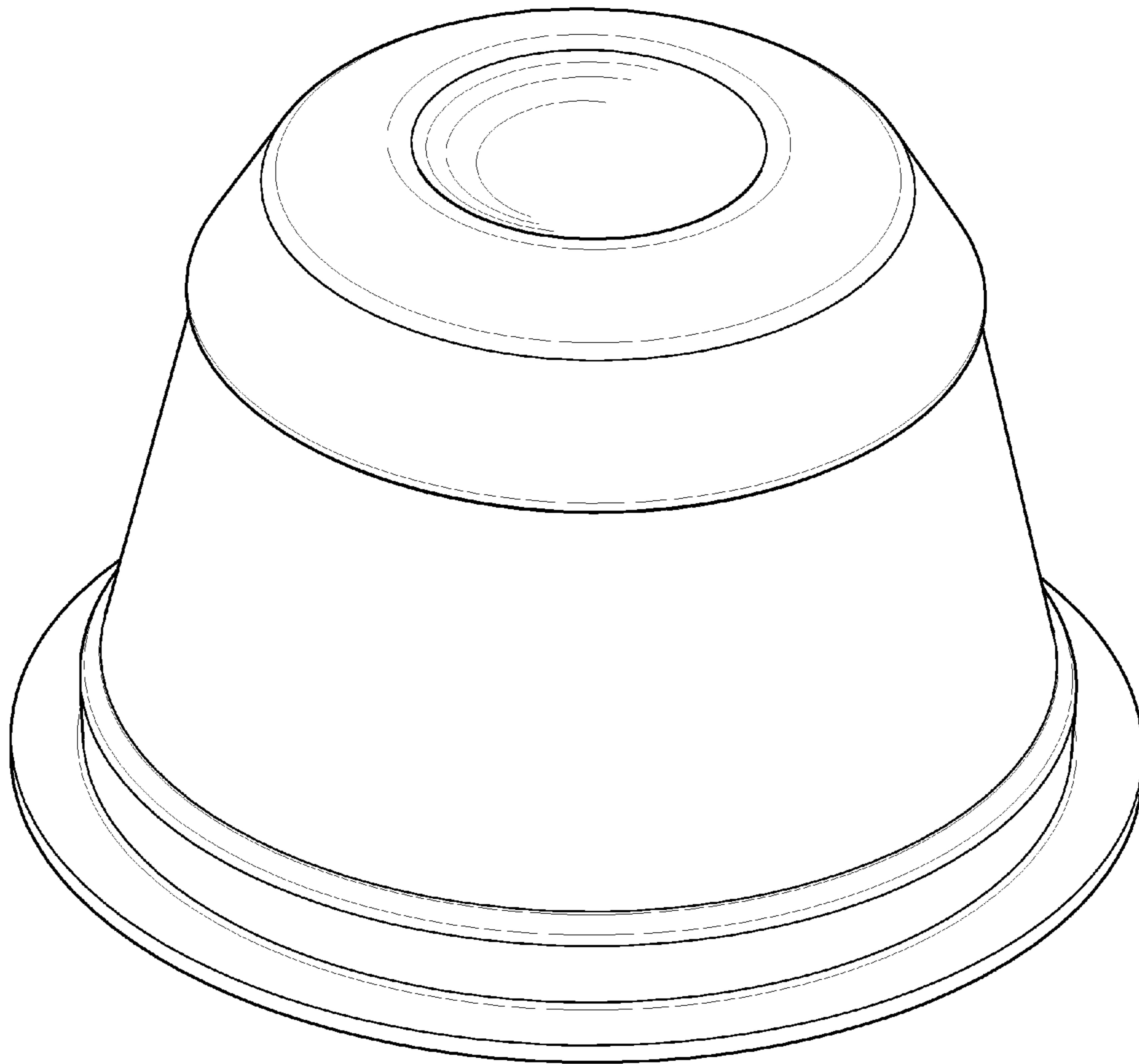


Fig. 9

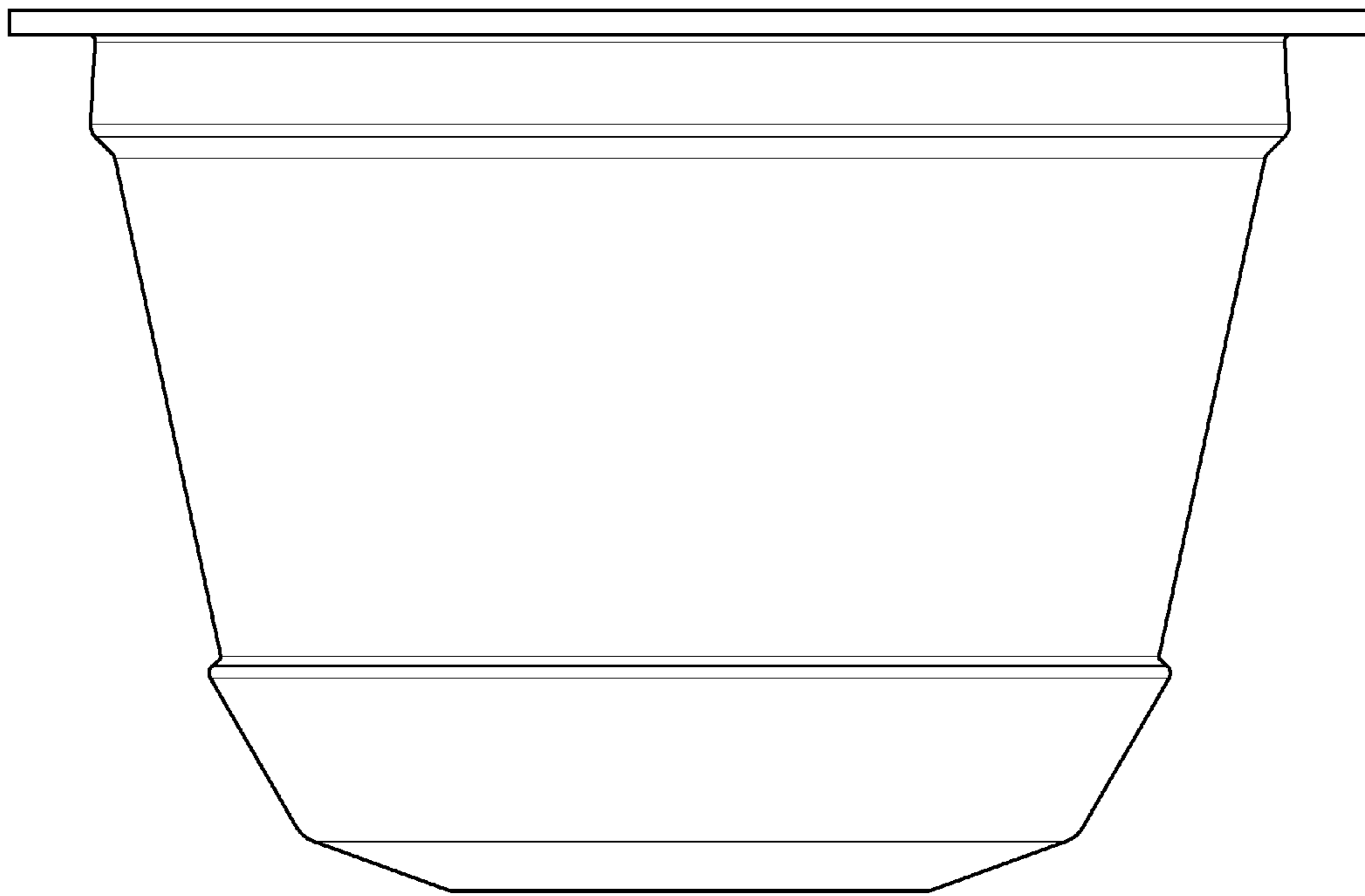


Fig. 10

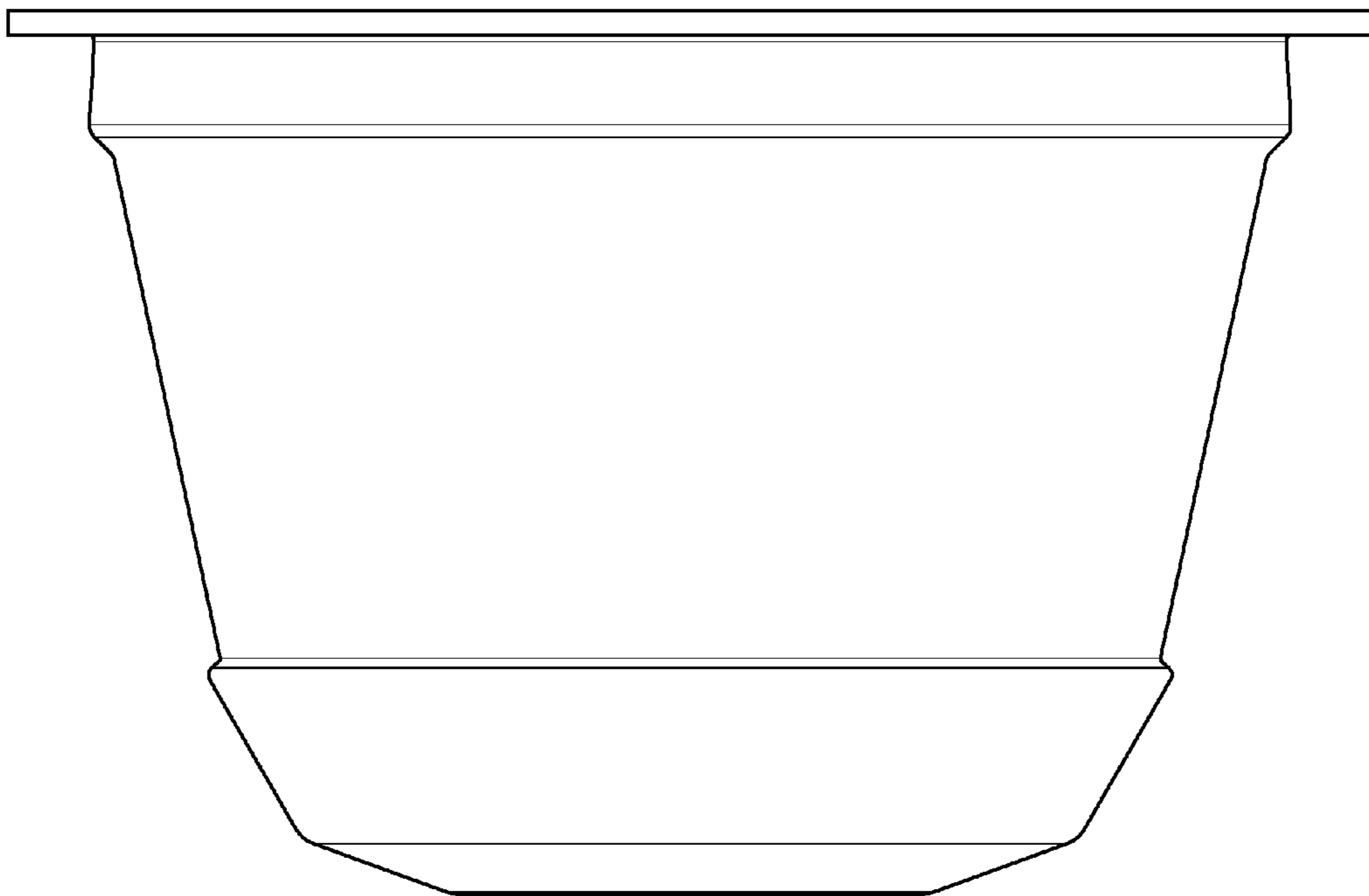


Fig. 11

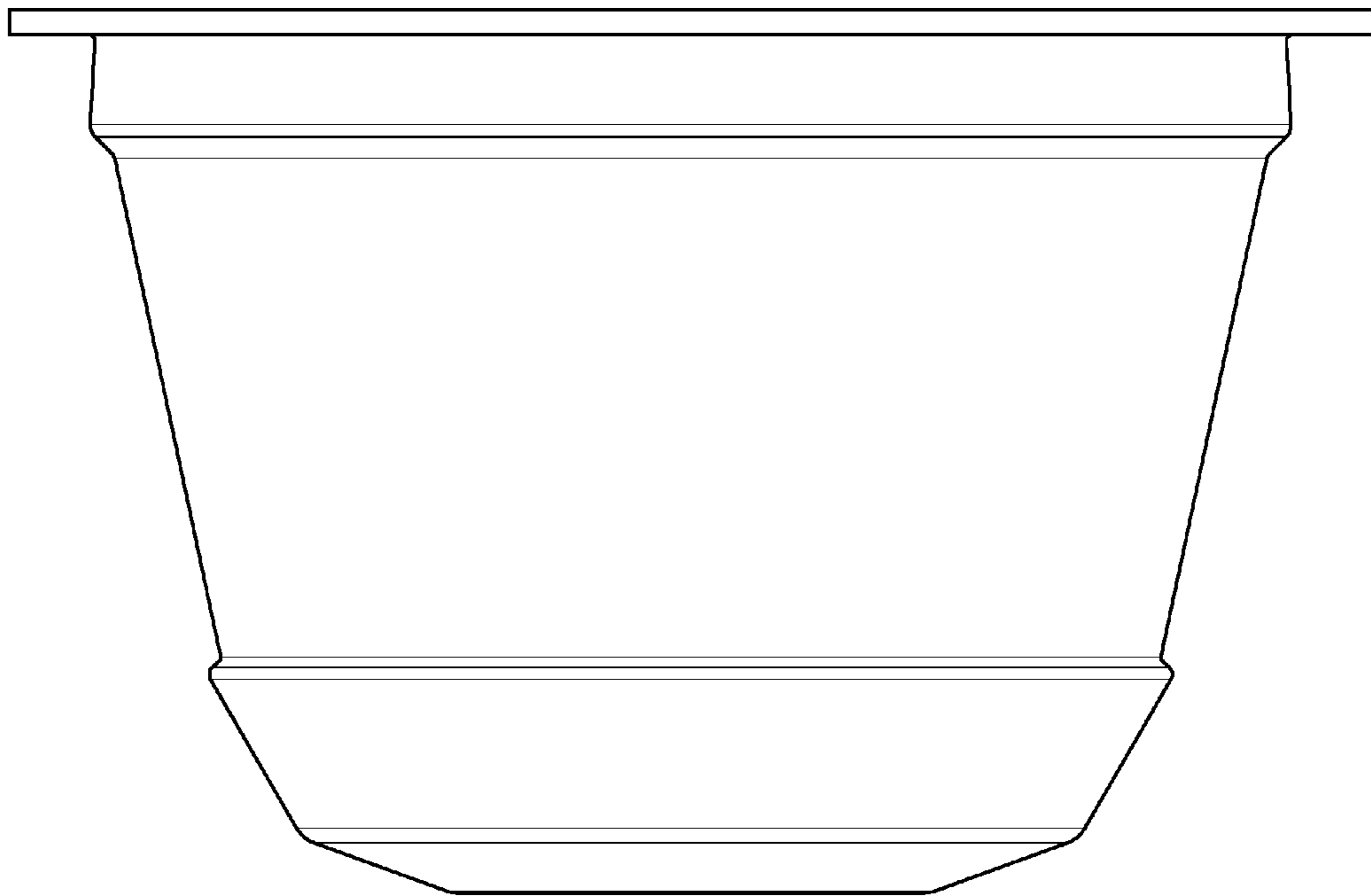


Fig. 12

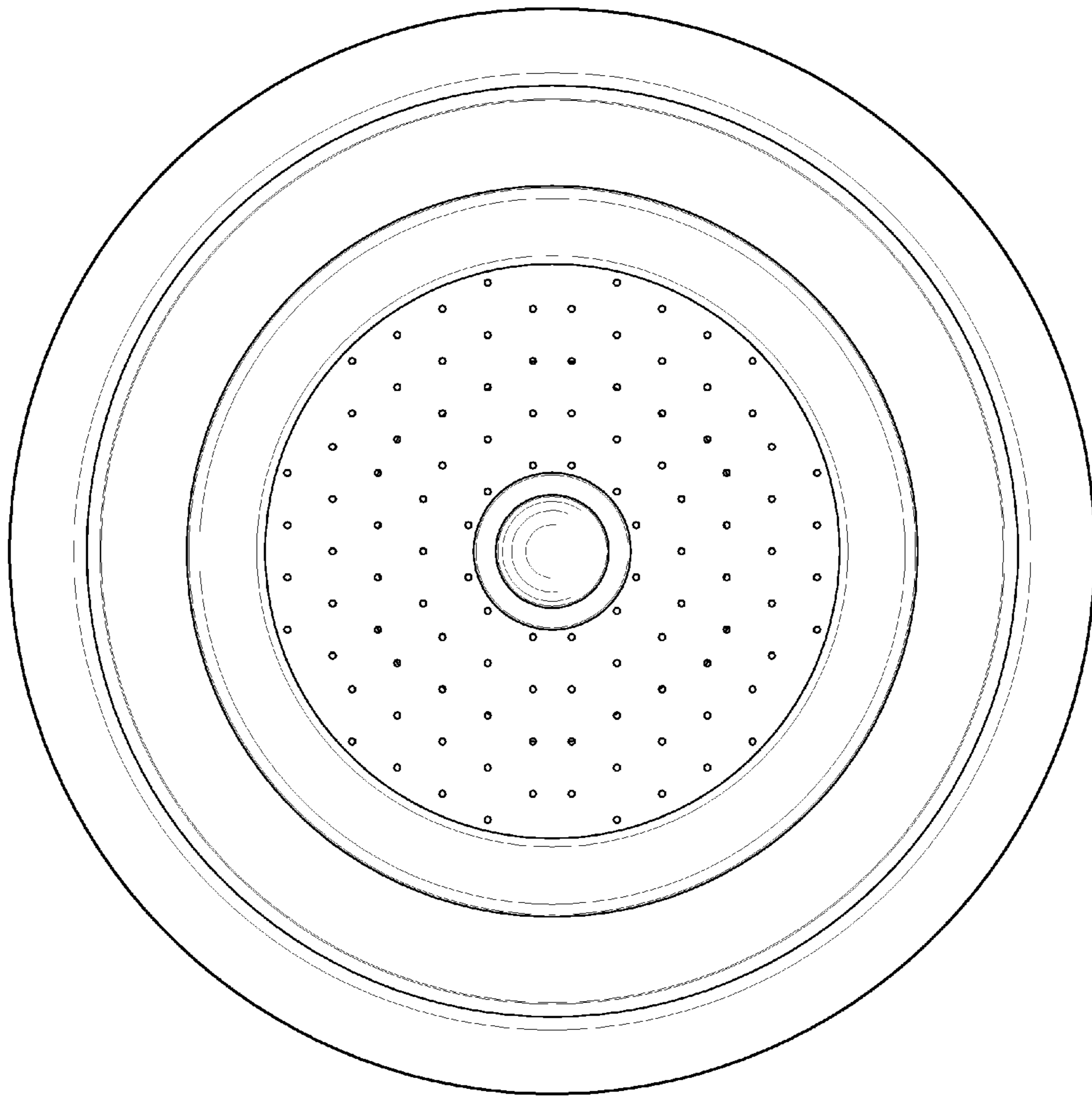


Fig. 13

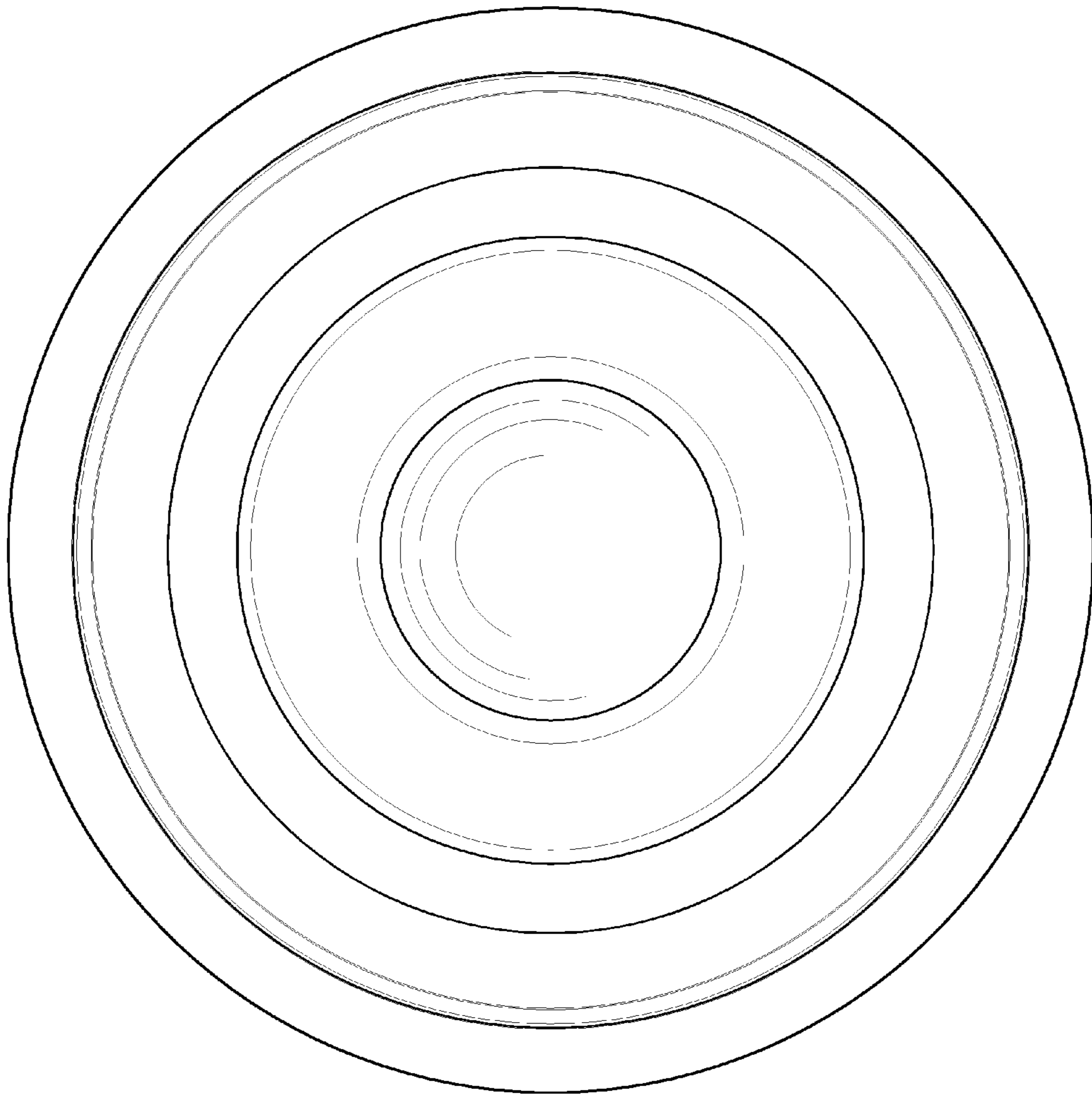


Fig. 14

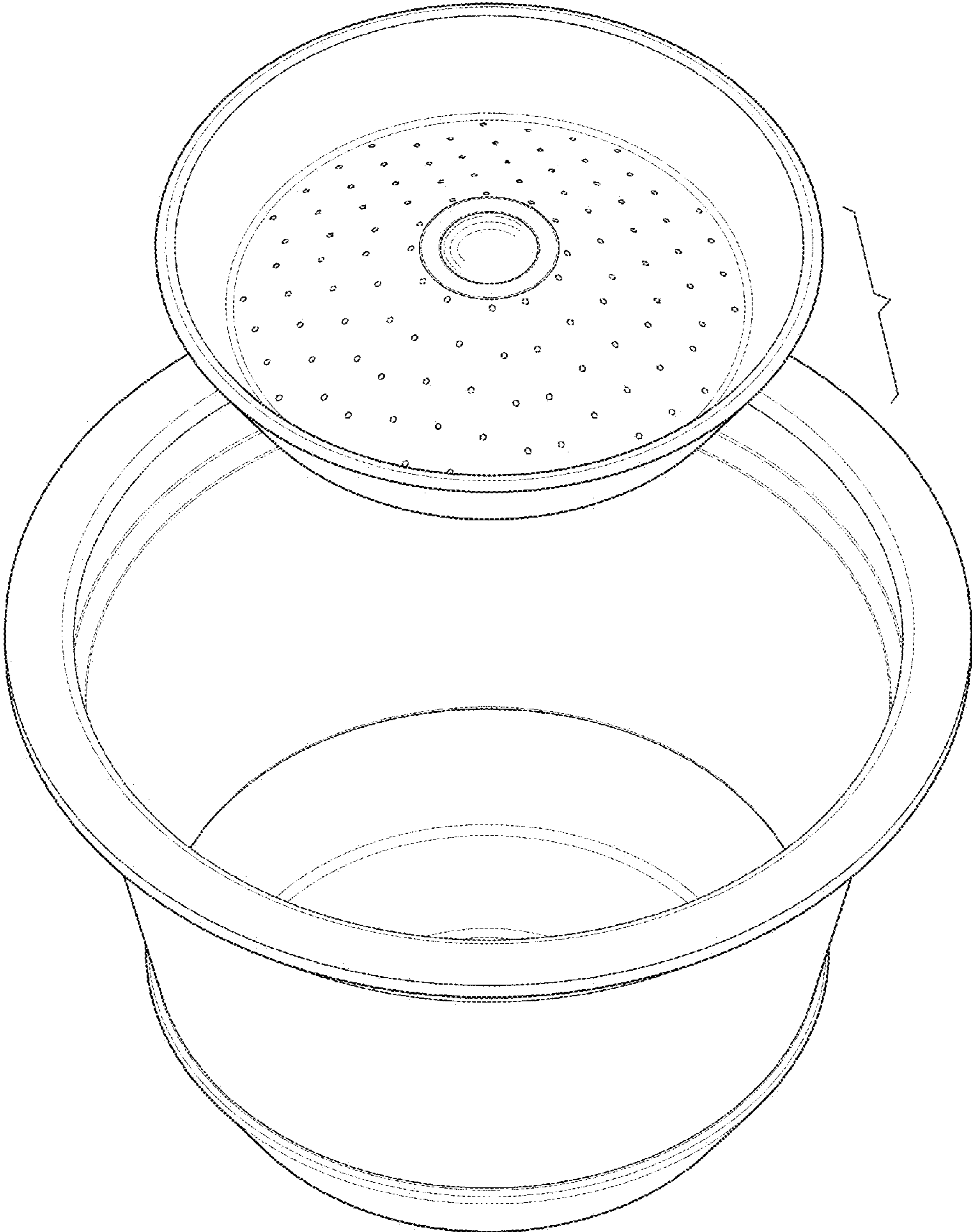


Fig. 15