



US00D749410S

(12) **United States Design Patent**
Horan

(10) **Patent No.:** **US D749,410 S**

(45) **Date of Patent:** **** Feb. 16, 2016**

(54) **SHOE PACKAGE**

(71) Applicant: **ROLLASOLE LIMITED**, Bristol (GB)

(72) Inventor: **Matthew Timothy Horan**, Bristol (GB)

(73) Assignee: **ROLLASOLE LIMITED**, Bristol (GB)

(**) Term: **14 Years**

(21) Appl. No.: **29/510,912**

(22) Filed: **Dec. 4, 2014**

(30) **Foreign Application Priority Data**

Jun. 6, 2014 (EM) 002477893-0001

(51) **LOC (10) Cl.** **09-03**

(52) **U.S. Cl.**
USPC **D9/415**

(58) **Field of Classification Search**

USPC D9/415, 722, 456, 457, 749, 418, 423,
D9/424, 428, 431, 499; 211/76, 41.1;
206/348, 49, 162, 320, 5, 549; D6/310,
D6/634, 681; D24/128; D8/373; 446/268;
294/87.2; 248/311.2

CPC .. A47G 23/025; H01L 21/6734; G09F 5/042;
B65D 85/677; B65D 2571/0066; G06F 1/1628
See application file for complete search history.

(56) **References Cited**

U.S. PATENT DOCUMENTS

D305,304 S * 1/1990 McCaleb D9/751
D329,763 S * 9/1992 Cuminale D6/310

D354,679 S * 1/1995 Dunn D9/415
D521,553 S * 5/2006 Sterman D19/2
D560,115 S * 1/2008 Peyridieu D8/373
D609,563 S * 2/2010 Daum D6/634
D702,133 S * 4/2014 Partrat D9/415
D718,628 S * 12/2014 Lee D9/434
D729,073 S * 5/2015 Wasilewski D9/753
D730,091 S * 5/2015 Chan D6/681
D734,452 S * 7/2015 Sharpe D24/128

* cited by examiner

Primary Examiner — Holly Baynham

Assistant Examiner — Rhea Shields

(74) *Attorney, Agent, or Firm* — Ladas & Parry LLP

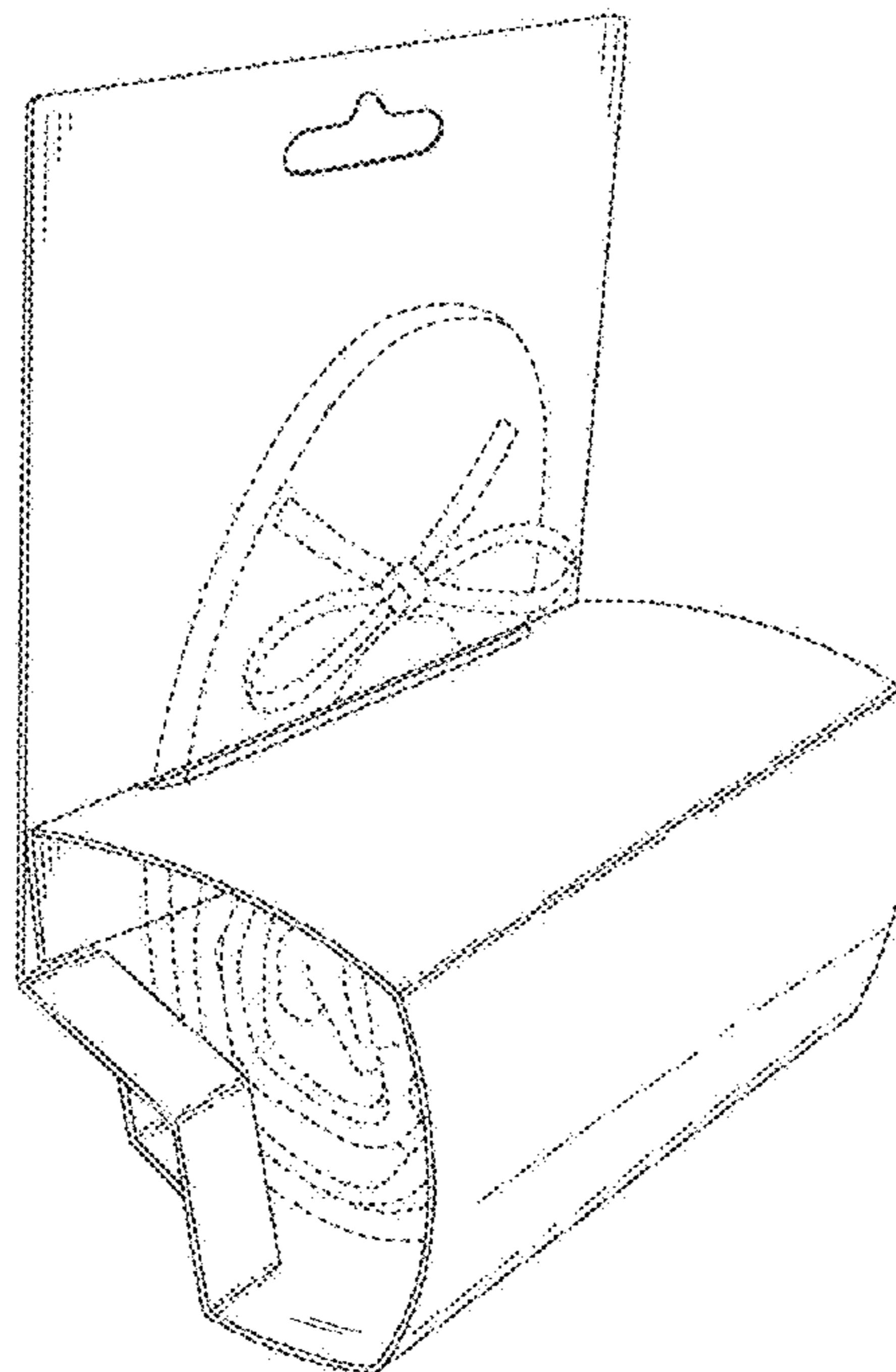
(57) **CLAIM**

The ornamental design for a shoe package, as shown and described.

DESCRIPTION

FIG. 1 is a perspective view from the front, top, and left side of the shoe package embodying our new design; FIG. 2 is a front elevational view thereof; FIG. 3 is a rear elevational view thereof; FIG. 4 is a left side elevational view thereof; FIG. 5 is a right side elevational view thereof; FIG. 6 is a top plan view thereof; and, FIG. 7 is a bottom plan view thereof. In the drawings, the broken lines are for the purpose of illustrating environment only and form no part of the claimed design.

1 Claim, 7 Drawing Sheets



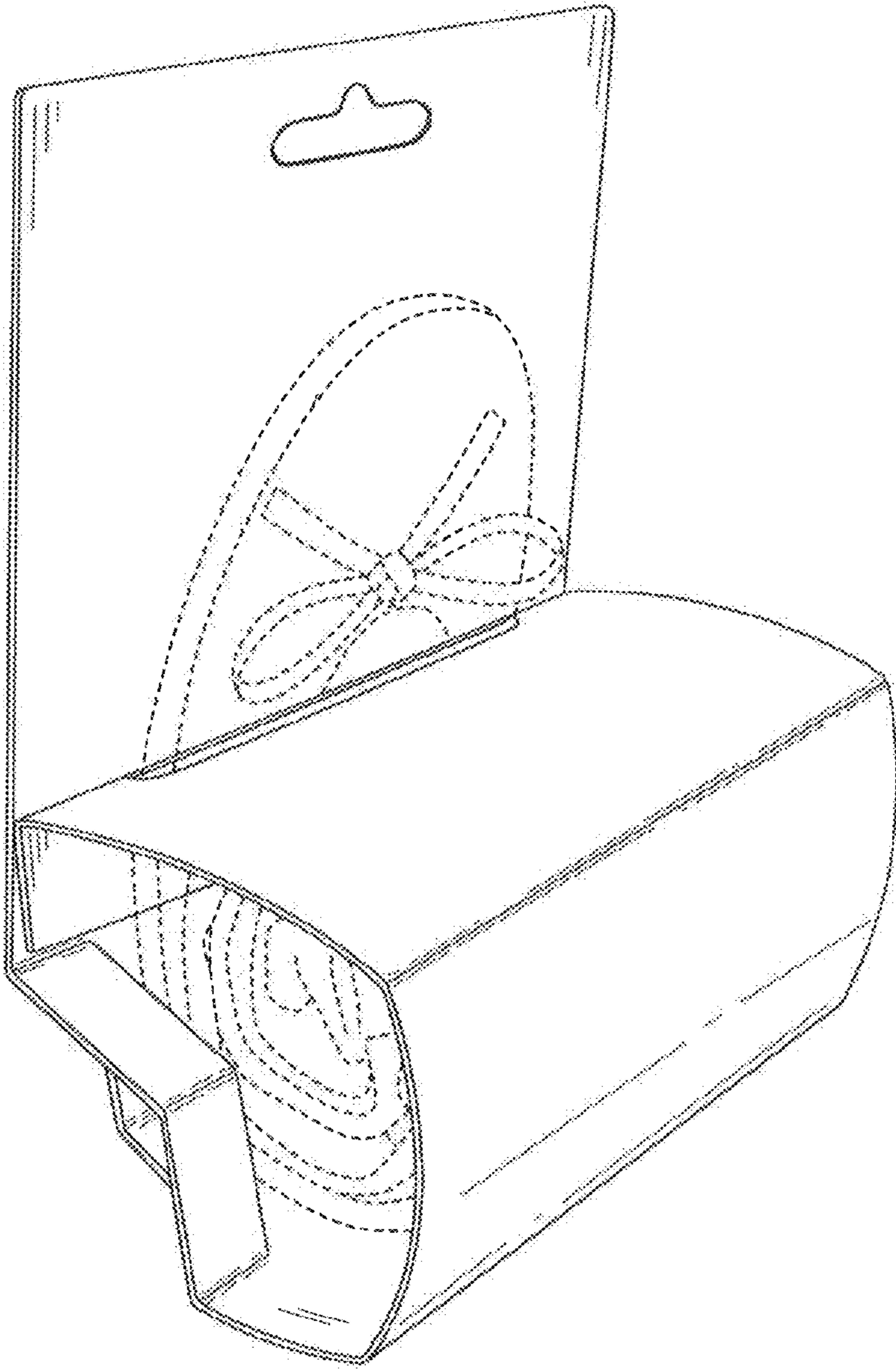


FIG. 1

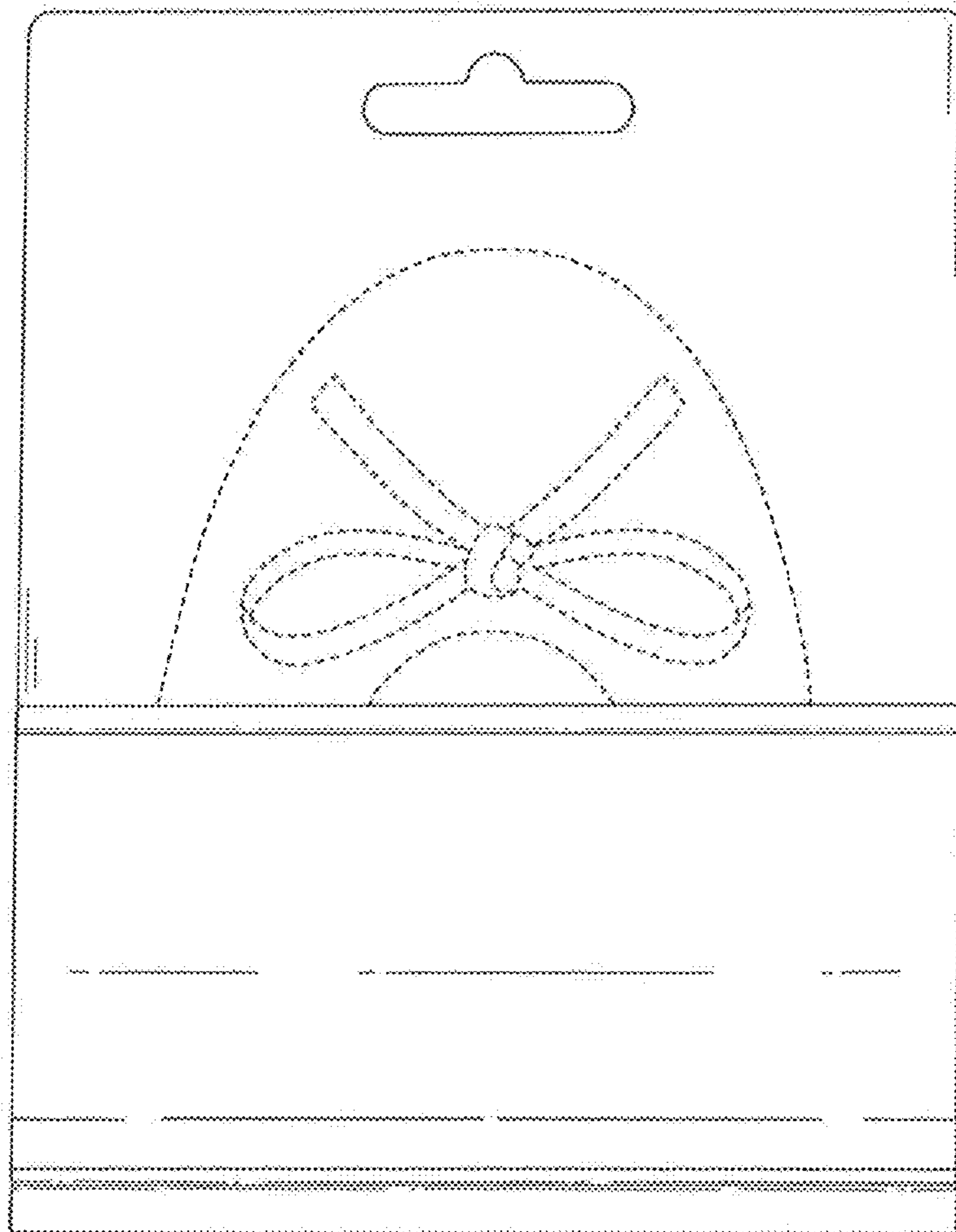


FIG. 2

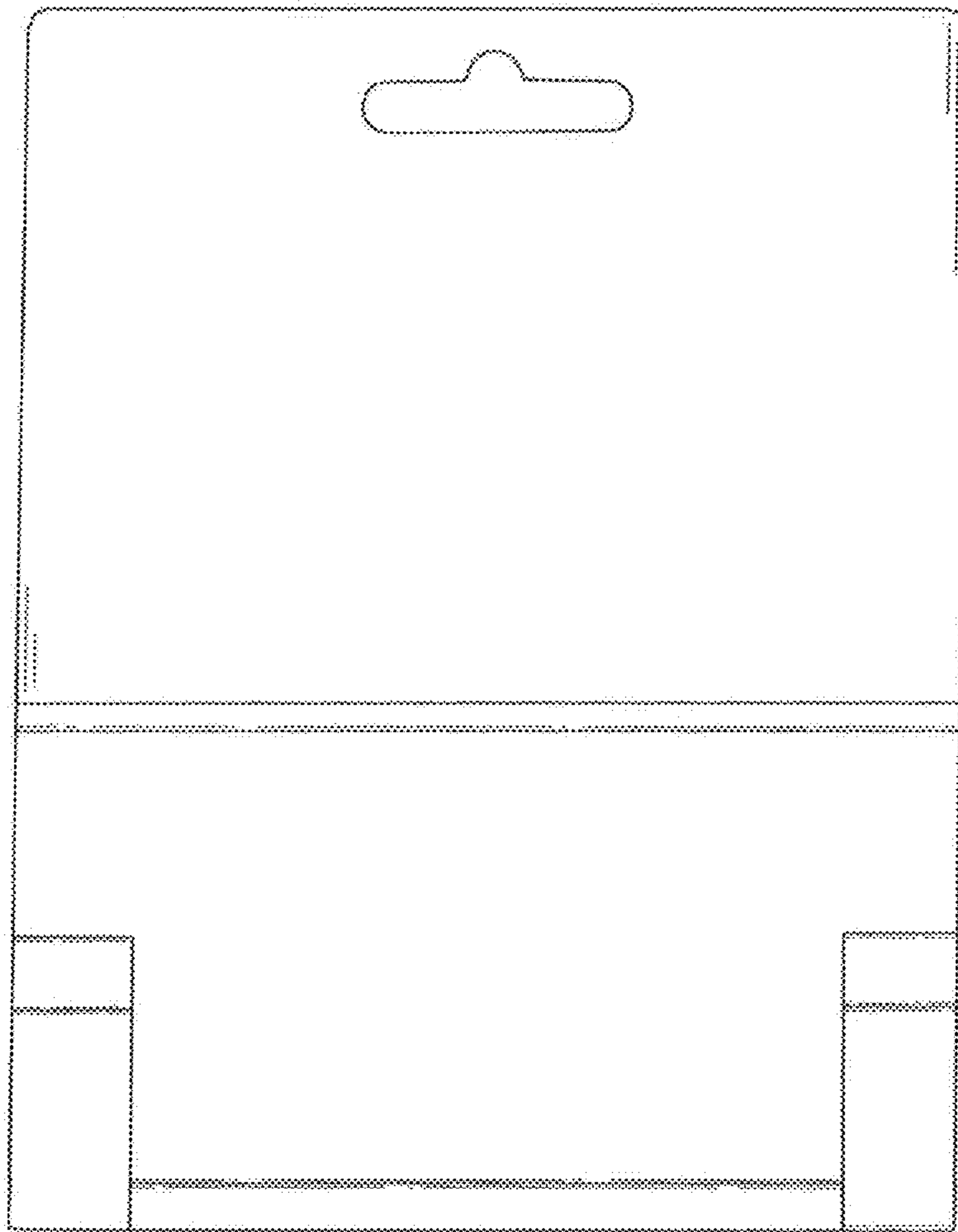


FIG. 3

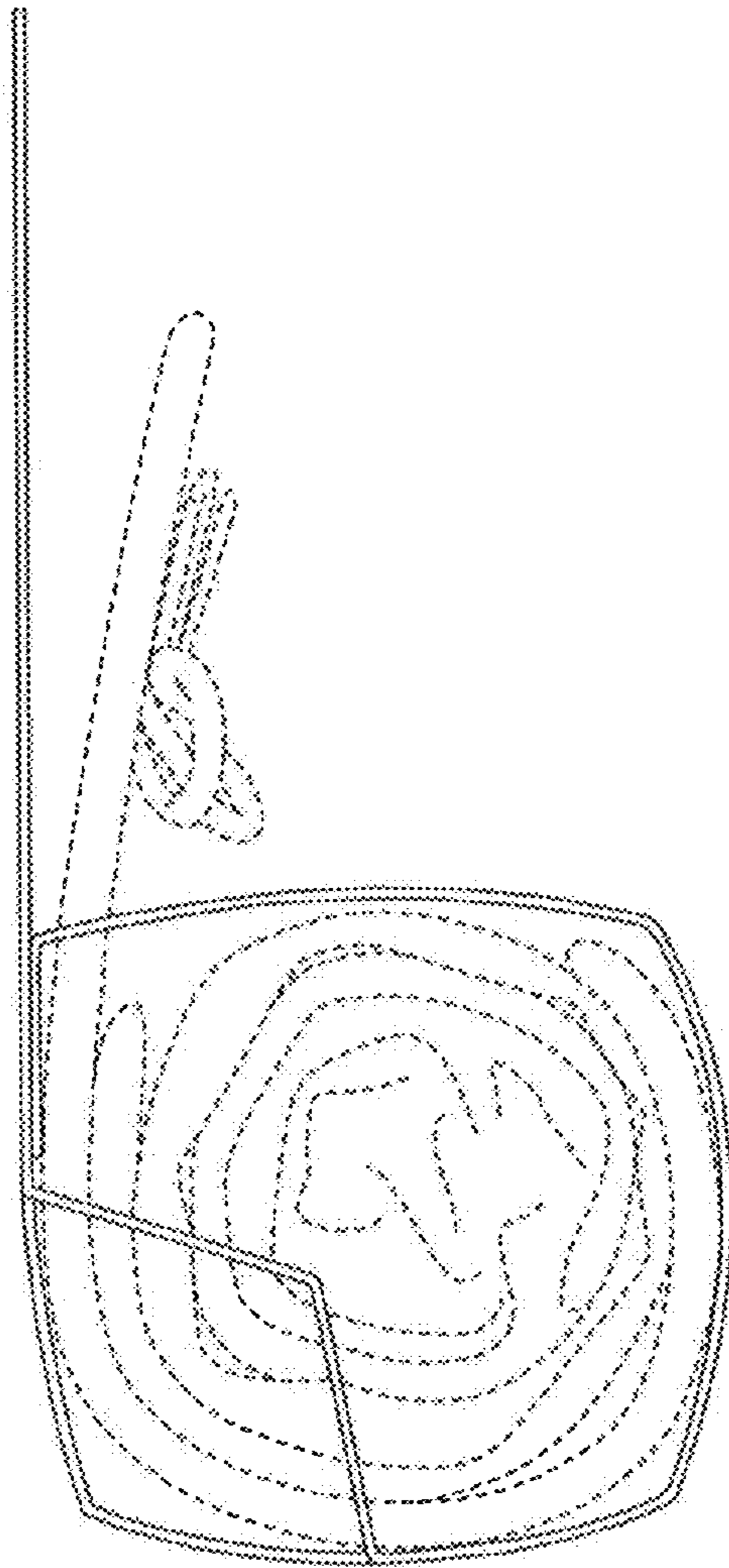


FIG. 4

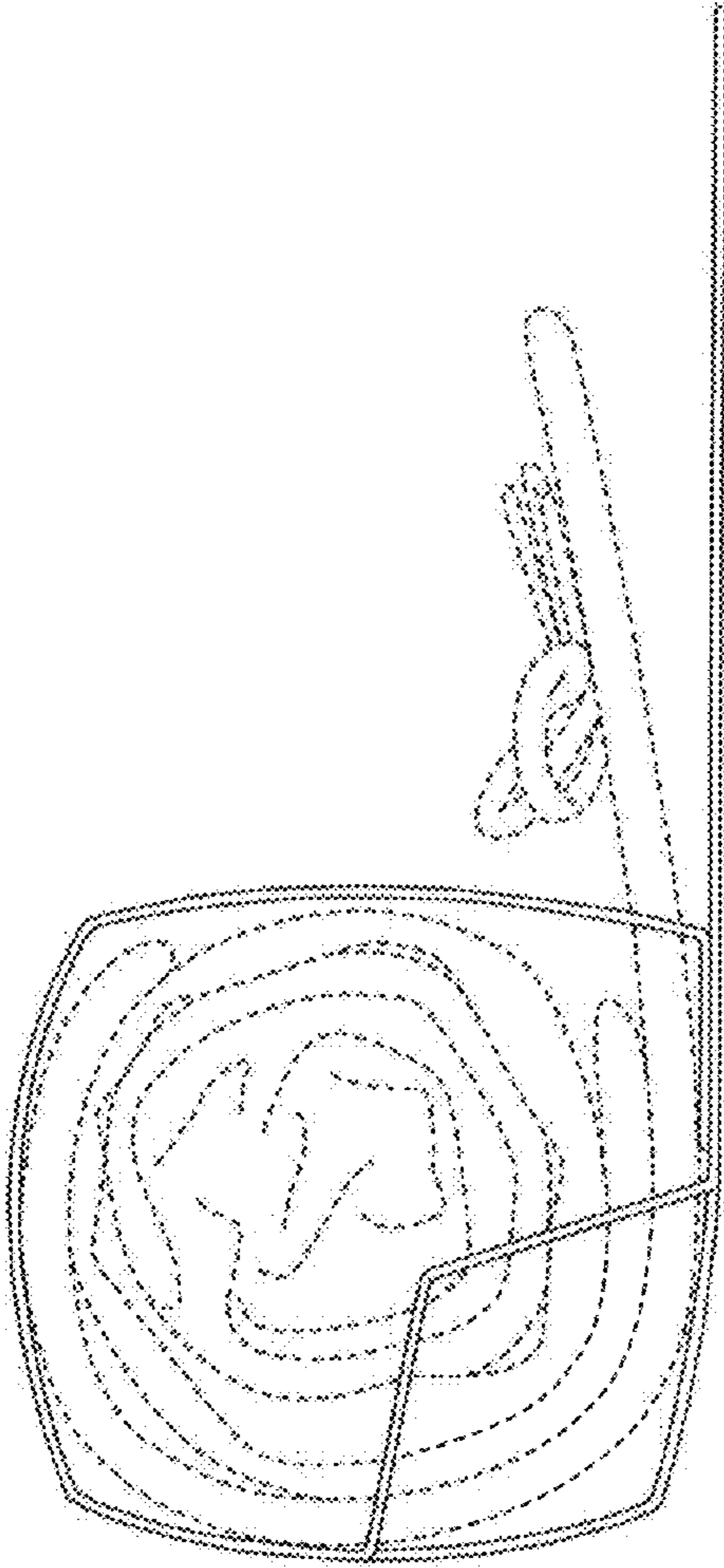


FIG. 5

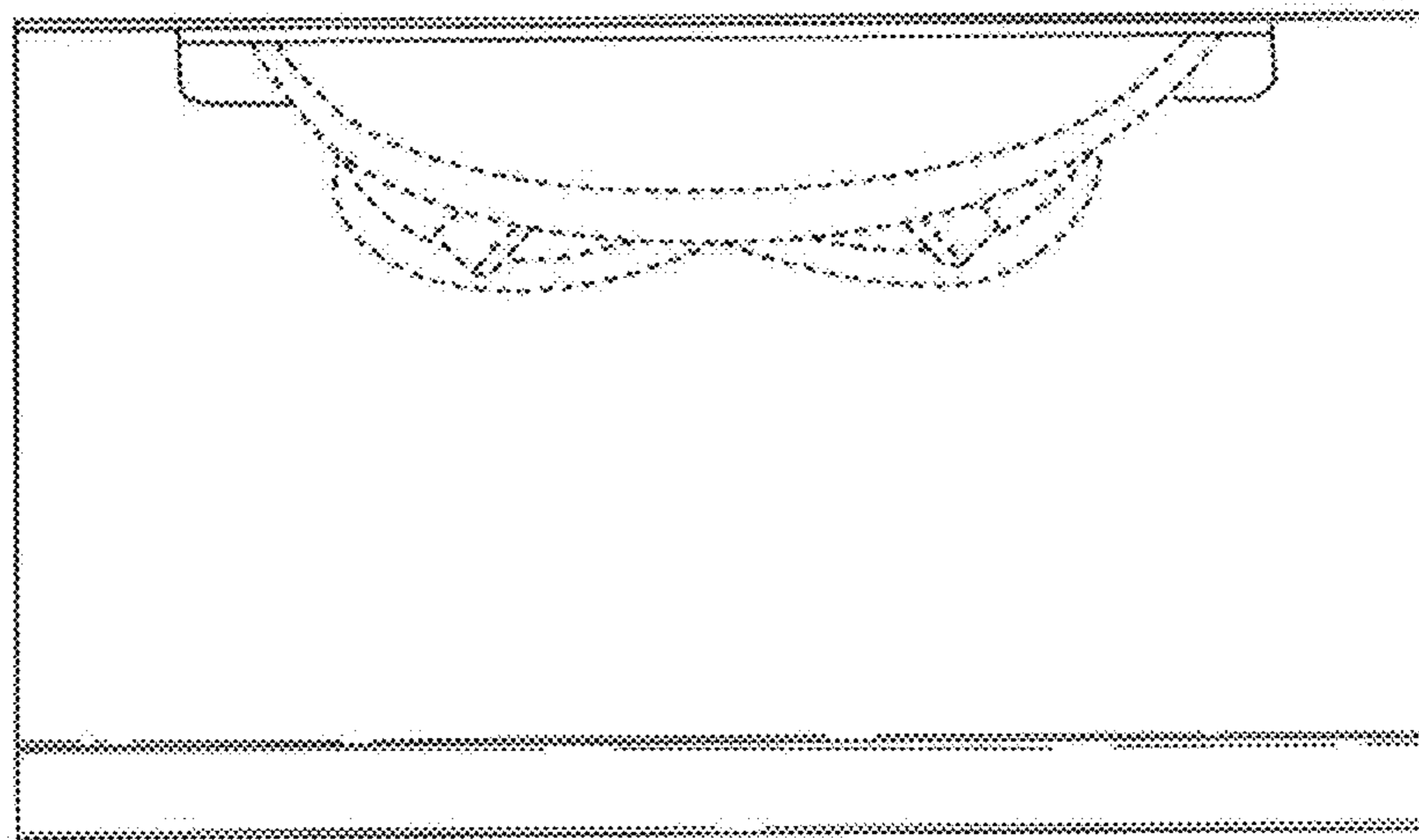


FIG. 6

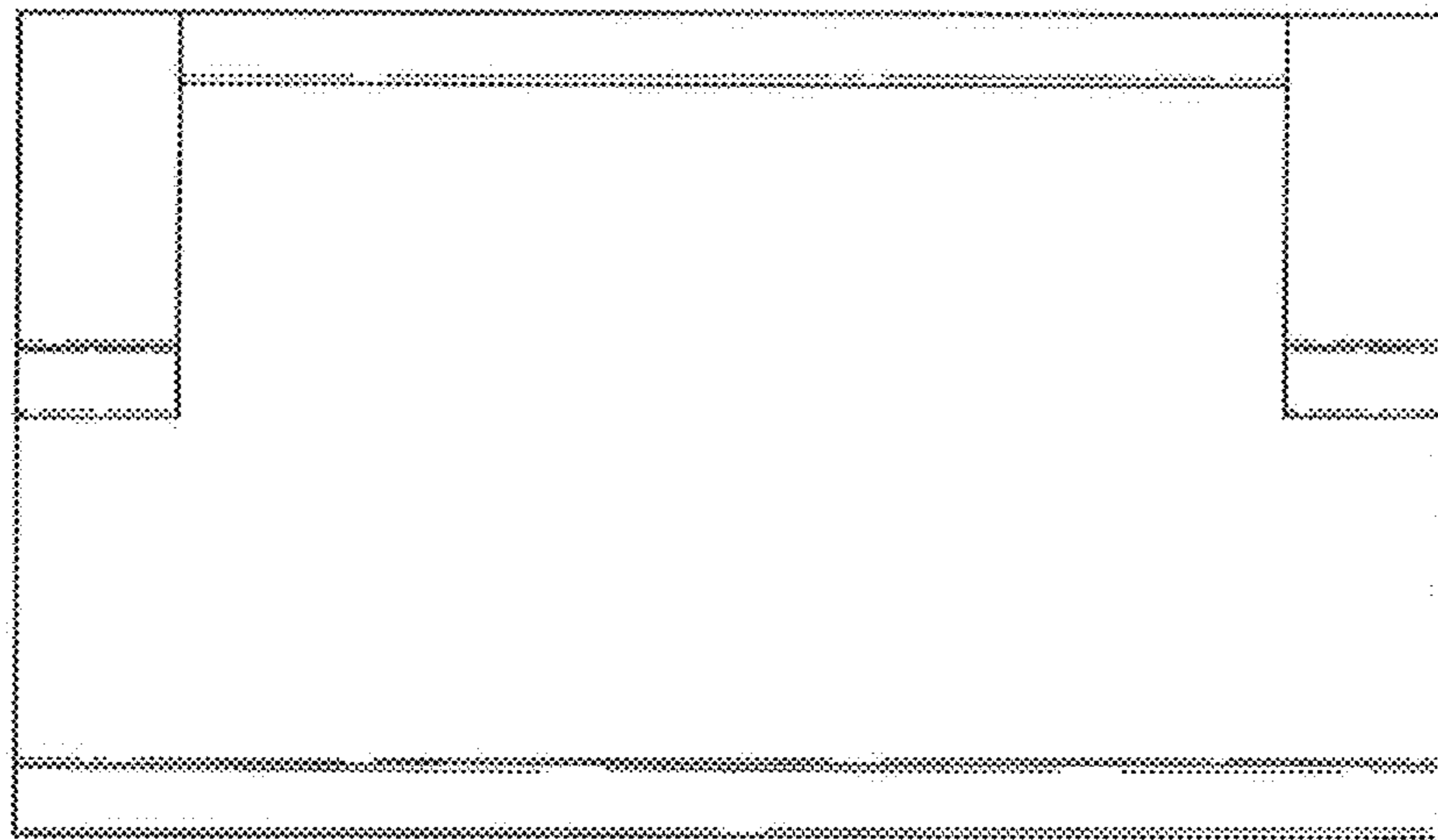


FIG. 7