



US00D749406S

(12) **United States Design Patent**
Jones et al.

(10) **Patent No.:** **US D749,406 S**
(45) **Date of Patent:** **** Feb. 16, 2016**

- (54) **GRILL SUPPORT BRACKET**
- (71) Applicant: **Brandon Jones**, Grand Prairie, TX (US)
- (72) Inventors: **Brandon Jones**, Grand Prairie, TX (US);
Steven Dodson, Gresham, OR (US)
- (**) Term: **14 Years**
- (21) Appl. No.: **29/497,255**
- (22) Filed: **Jul. 22, 2014**
- (51) **LOC (10) Cl.** **08-05**
- (52) **U.S. Cl.**
USPC **D8/380**
- (58) **Field of Classification Search**
USPC D8/375, 374, 381, 382, 380, 318, 373,
D8/377, 363, 358, 384, 376, 385, 388, 389,
D8/355, 394, 356, 396; D3/279, 271.12;
D12/223; D34/14, 19, 24, 25, 27;
D21/424, 425, 533, 534, 535, 536;
D20/41, 43; D4/199; D19/135;
D25/131; D7/408, 409, 213
CPC A47J 37/0611; A47J 37/0704; A47J
37/0713; A47J 2037/0777; A47J 37/0763;
A47J 37/0694; A47J 2037/0617; A47J 36/34;
A47J 37/067; A47J 37/0676; A47J 37/0682;
A47J 39/006; F23G 2203/101; F23G 5/002
See application file for complete search history.

4,979,437 A	12/1990	Giebel	
5,927,267 A	7/1999	McKenzie	
6,135,014 A	10/2000	Chang	
6,357,434 B1	3/2002	Bossler	
6,539,843 B2	4/2003	Andress	
6,578,568 B1	6/2003	Dufort et al.	
6,609,512 B2	8/2003	Poe, Jr. et al.	
D488,054 S *	4/2004	Myers	D8/356
6,776,084 B2	8/2004	Wild	
6,845,705 B1	1/2005	Chen	
6,892,722 B1	5/2005	Francies, III et al.	
D715,013 S *	10/2014	Allen	D34/27
2006/0086354 A1	4/2006	Kahler et al.	
2006/0196492 A1	9/2006	Whitmer	
2009/0211563 A1	8/2009	Blackshear et al.	
2011/0203567 A1	8/2011	Yeh	
2011/0209695 A1	9/2011	Yeh	

* cited by examiner

Primary Examiner — Robert M Spear
Assistant Examiner — Eliza Bennett-Hattan
(74) *Attorney, Agent, or Firm* — Hanrahan Law Firm, P.A.;
Benjamin M. Hanrahan

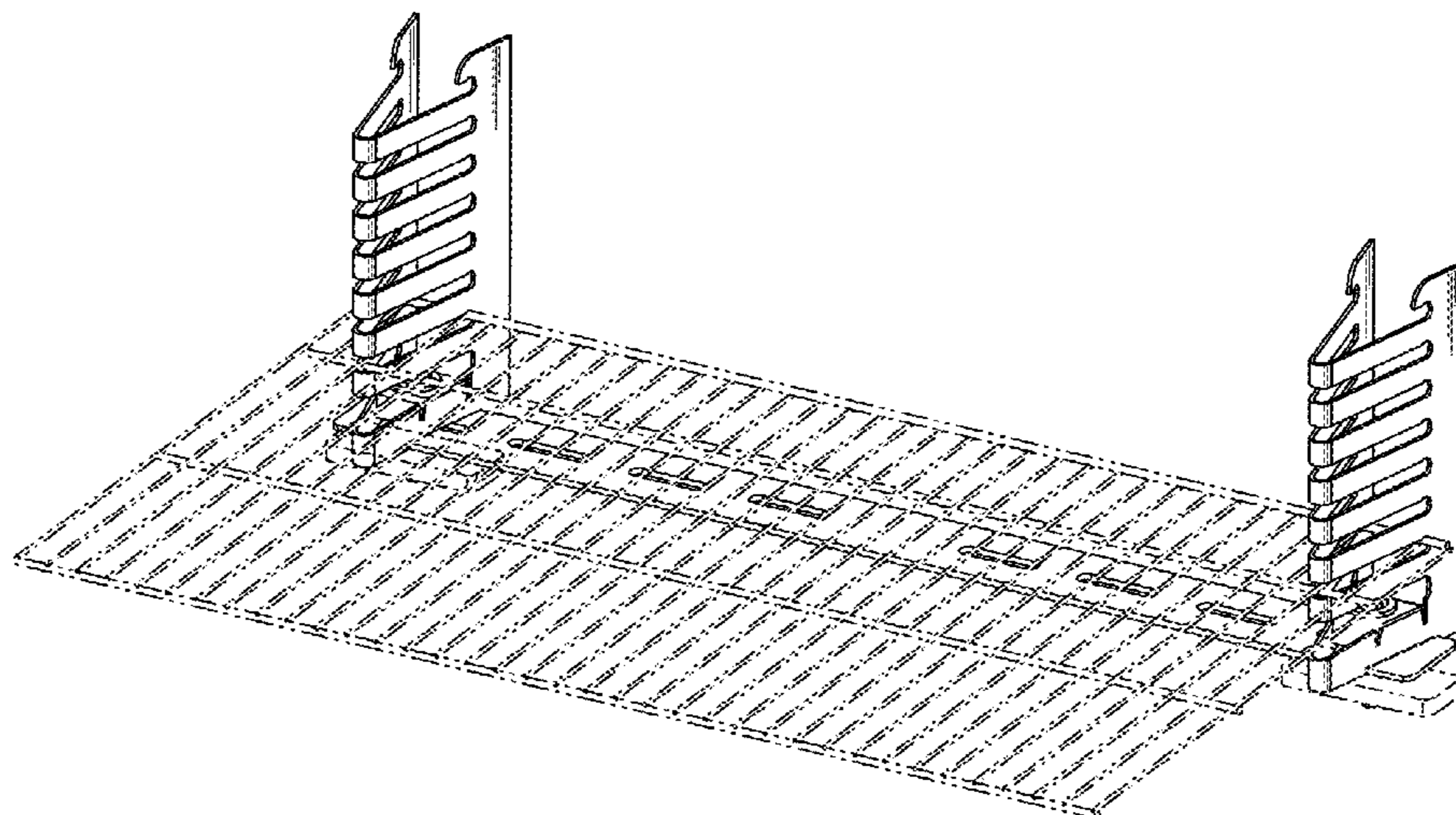
(57) **CLAIM**
The ornamental design for a grill support bracket, as shown and described.

DESCRIPTION

FIG. 1 is a front-top perspective view illustrating our design for a grill support bracket with a grill supported thereon. FIG. 2 is a rear-bottom perspective view thereof. FIG. 3 is a top view thereof. FIG. 4 is a bottom view thereof. FIG. 5 is a right side view thereof. FIG. 6 is a left side view thereof. FIG. 7 is a front view thereof; and, FIG. 8 is a rear view thereof. The broken lines in the drawings are for illustrative purposes only and form no part of the claimed design.

1 Claim, 7 Drawing Sheets

- (56) **References Cited**
U.S. PATENT DOCUMENTS
- 3,176,676 A 4/1965 Caldwell
- 3,520,290 A 7/1970 Winters
- 3,696,800 A 10/1972 Close, Jr.
- 3,814,076 A 6/1974 Zankowsky et al.
- 4,382,432 A 5/1983 Lizdas
- D272,785 S * 2/1984 Rumbaugh D6/552
- 4,667,652 A 5/1987 Bunton
- D301,673 S 6/1989 Ogden
- D303,192 S * 9/1989 Bogar, III D6/552



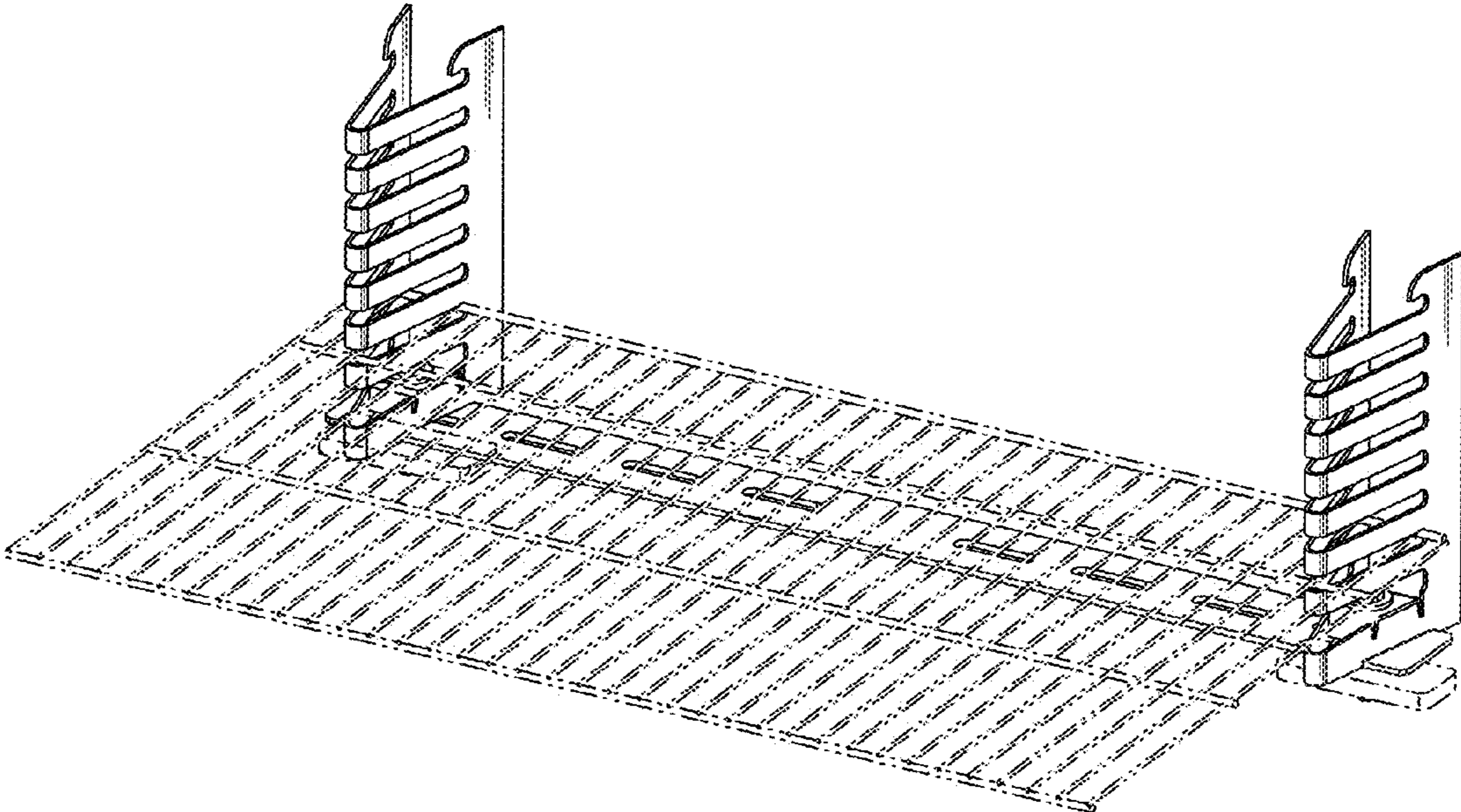


FIG. 1

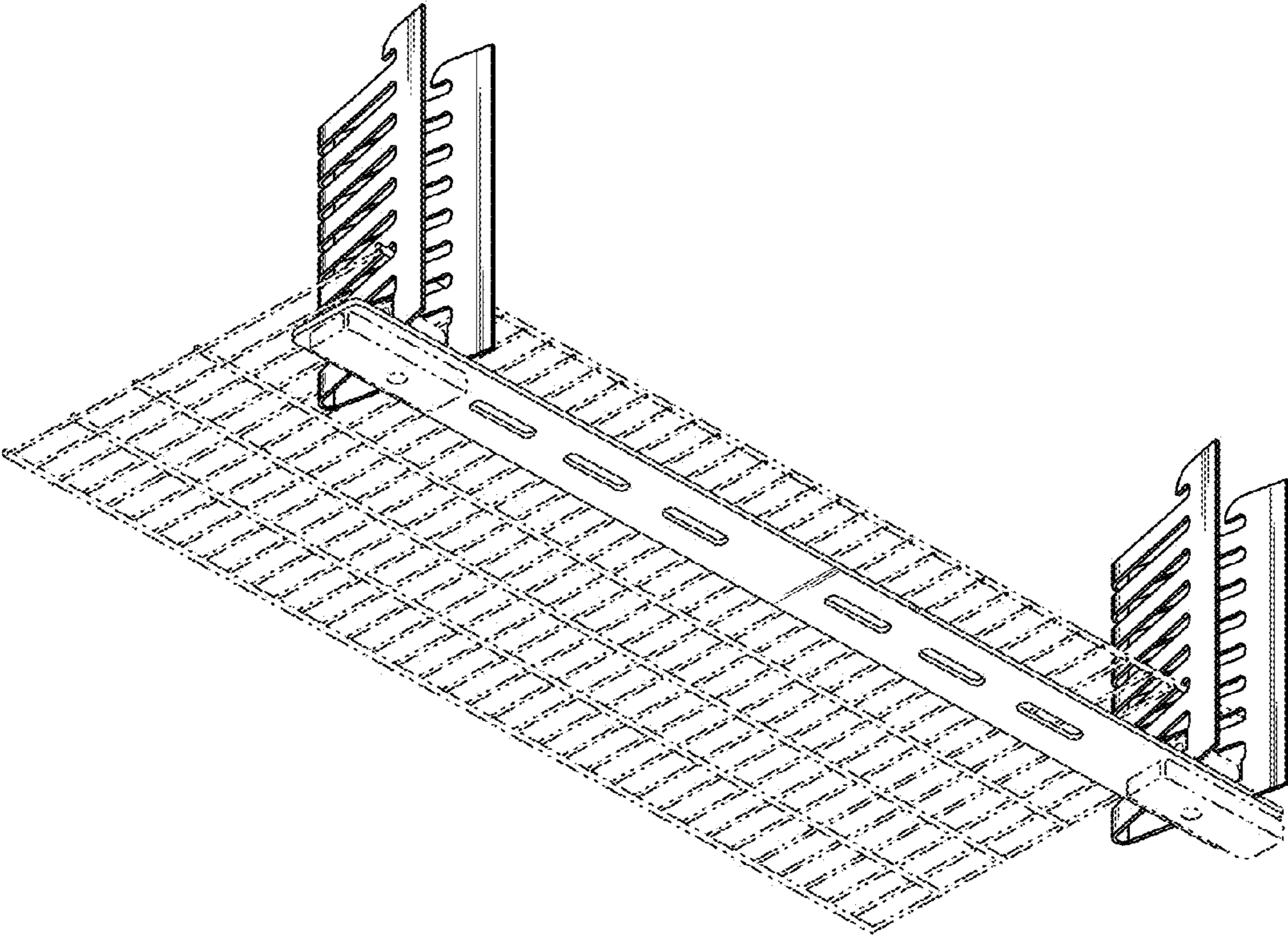


FIG. 2

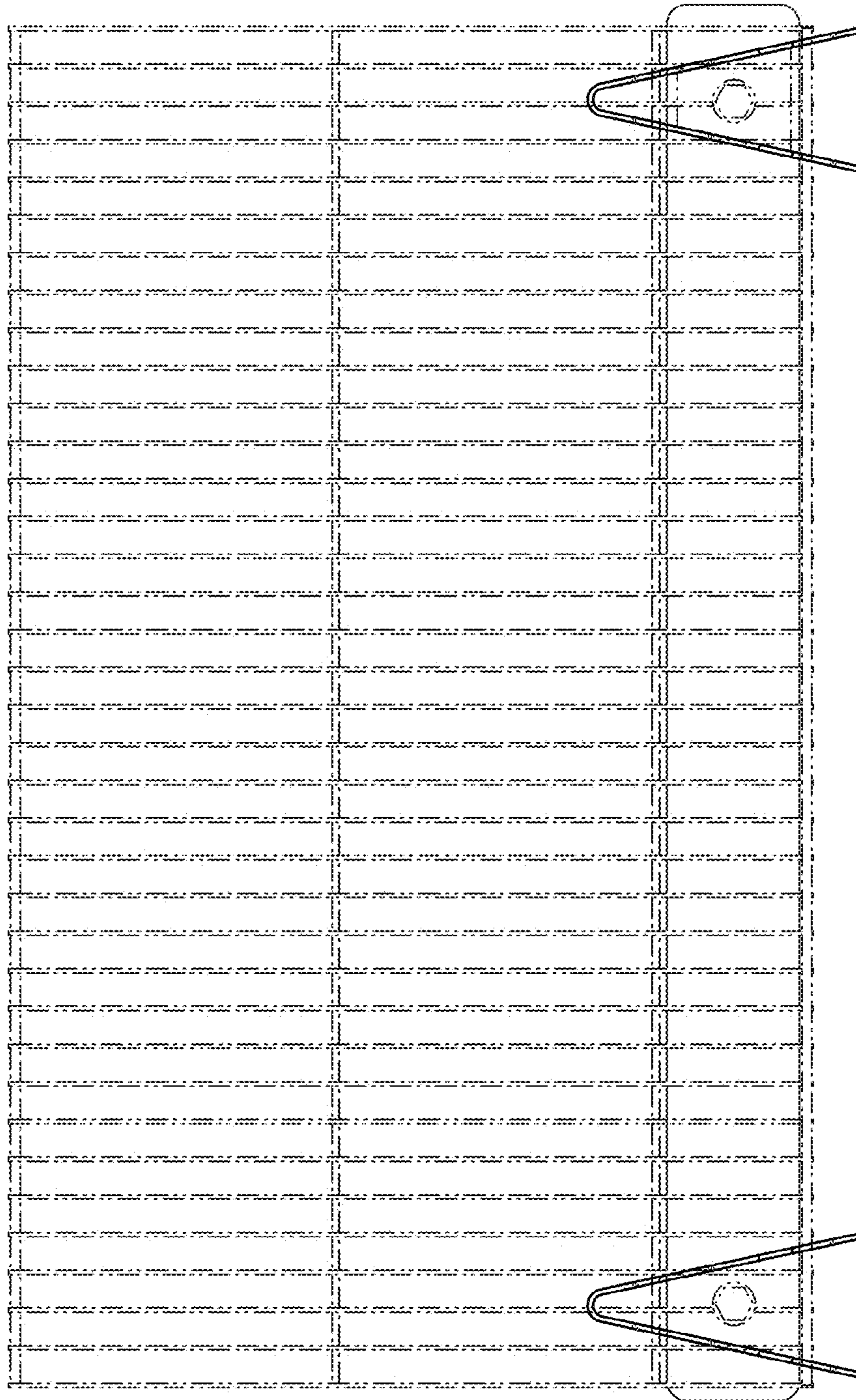


FIG. 3

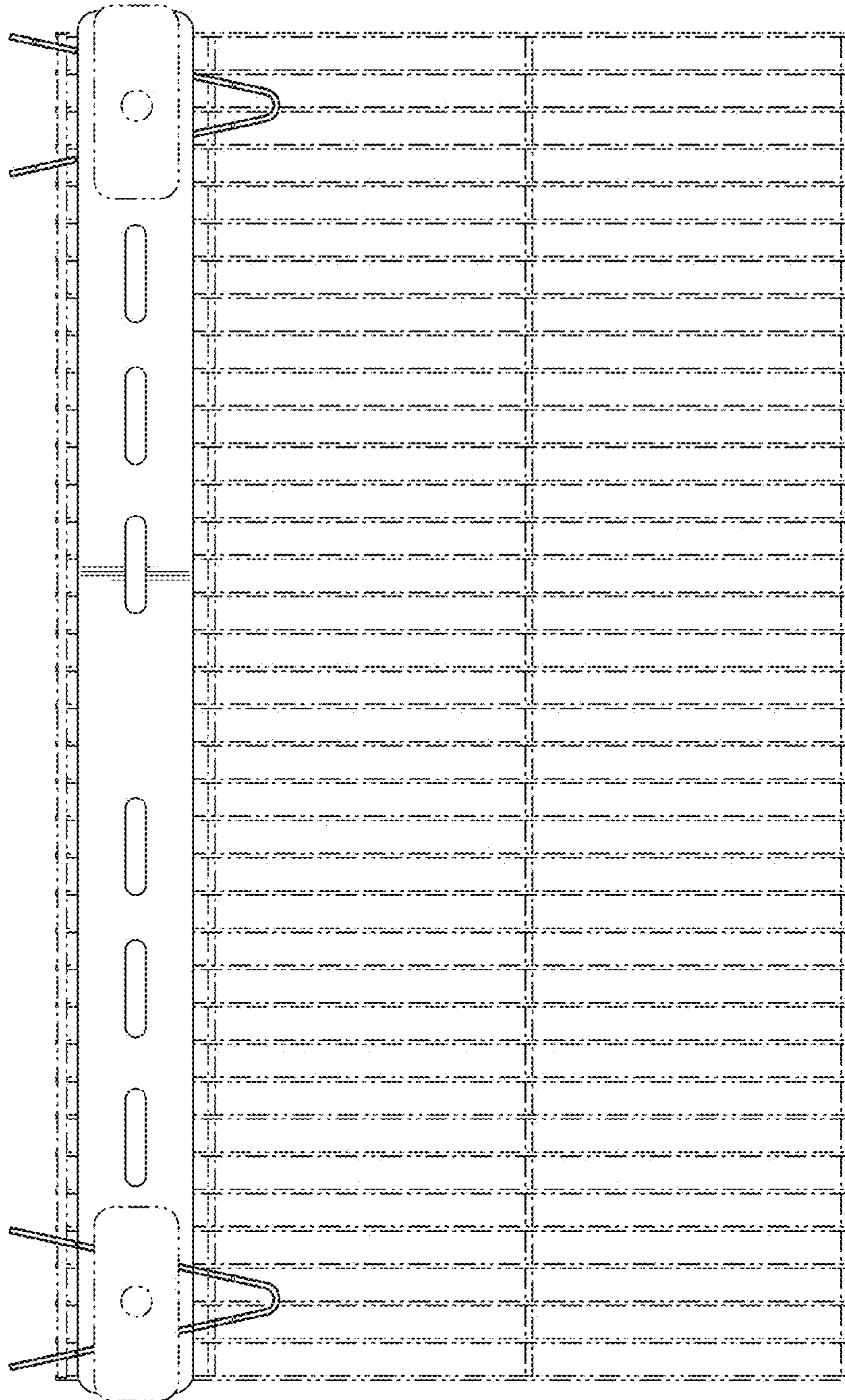


FIG. 4

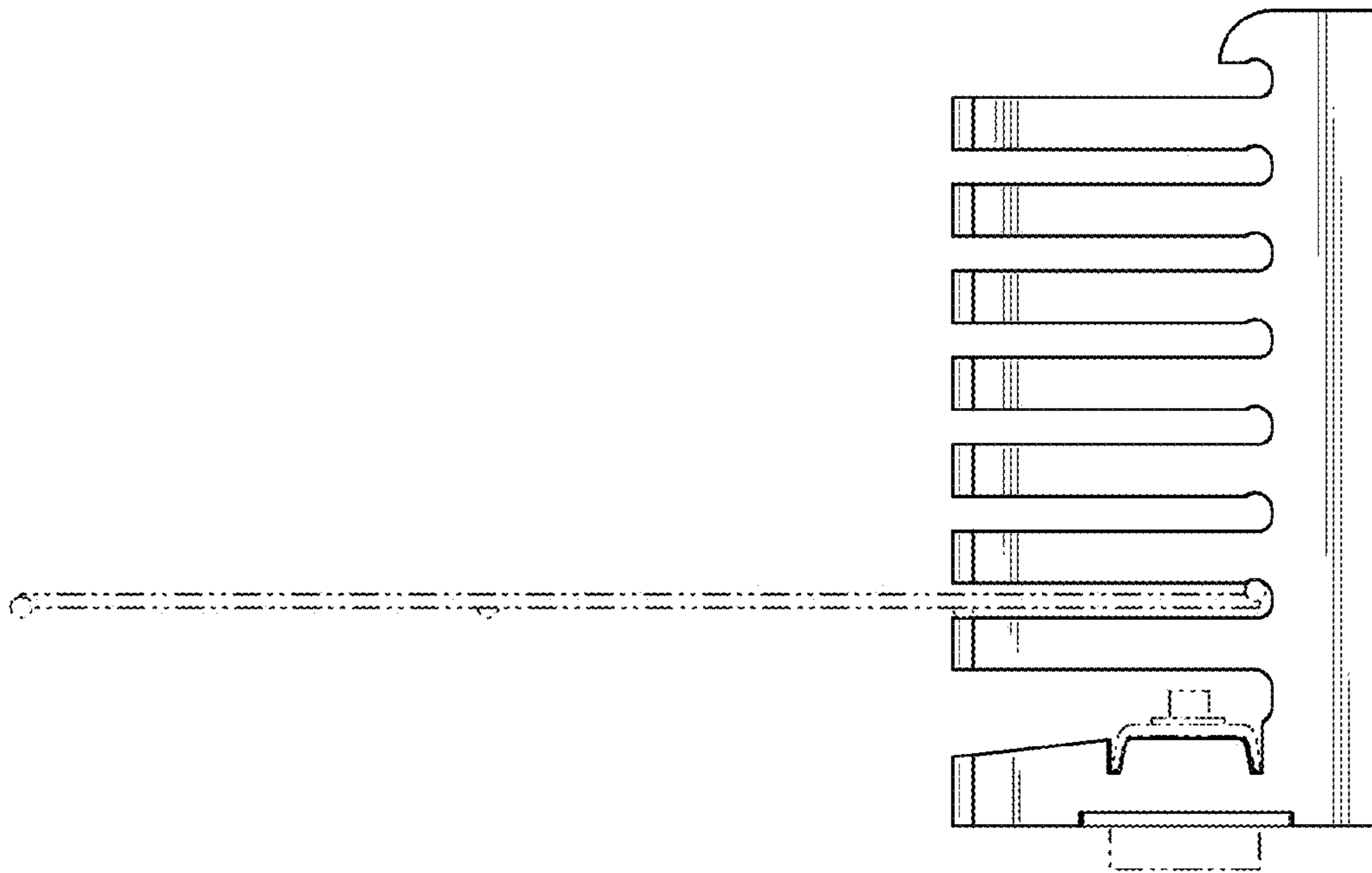


FIG. 5

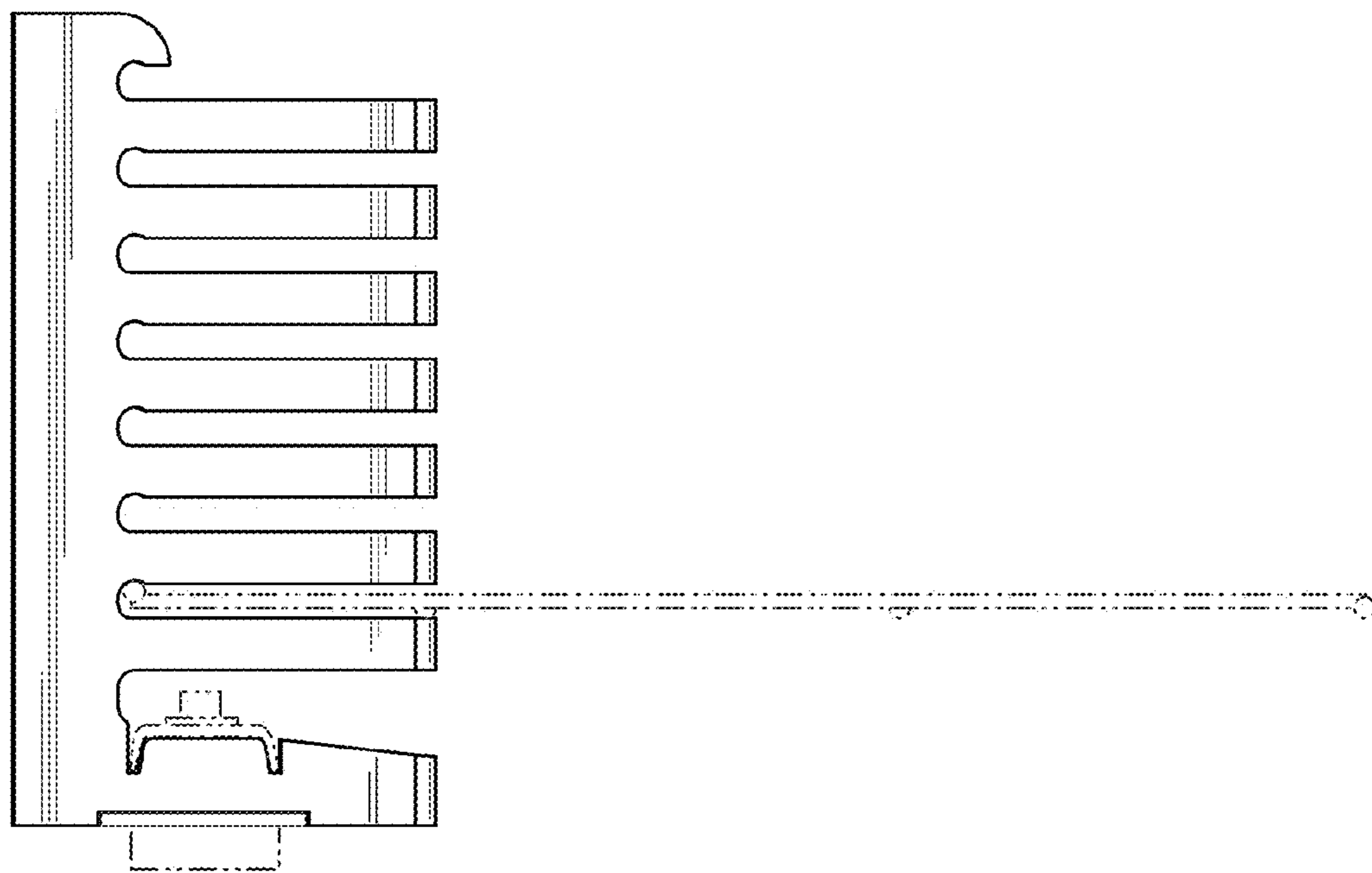


FIG. 6

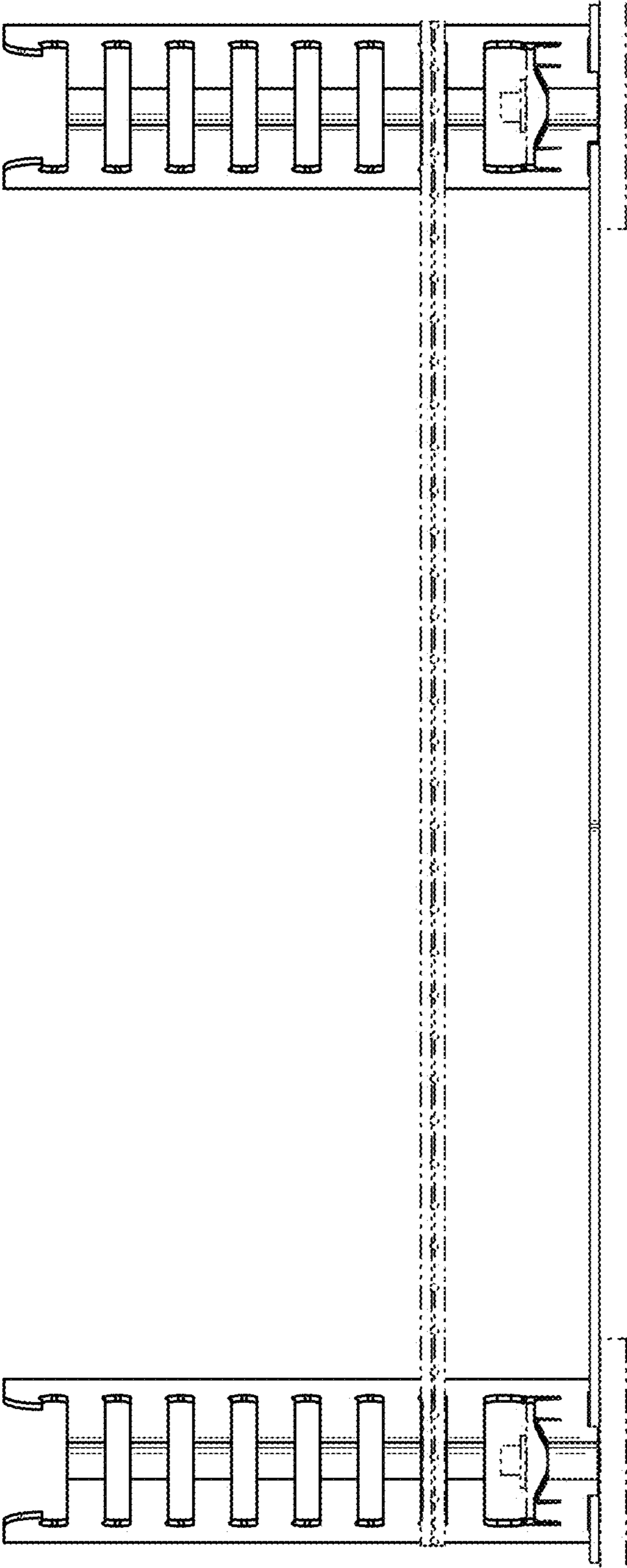


FIG. 7

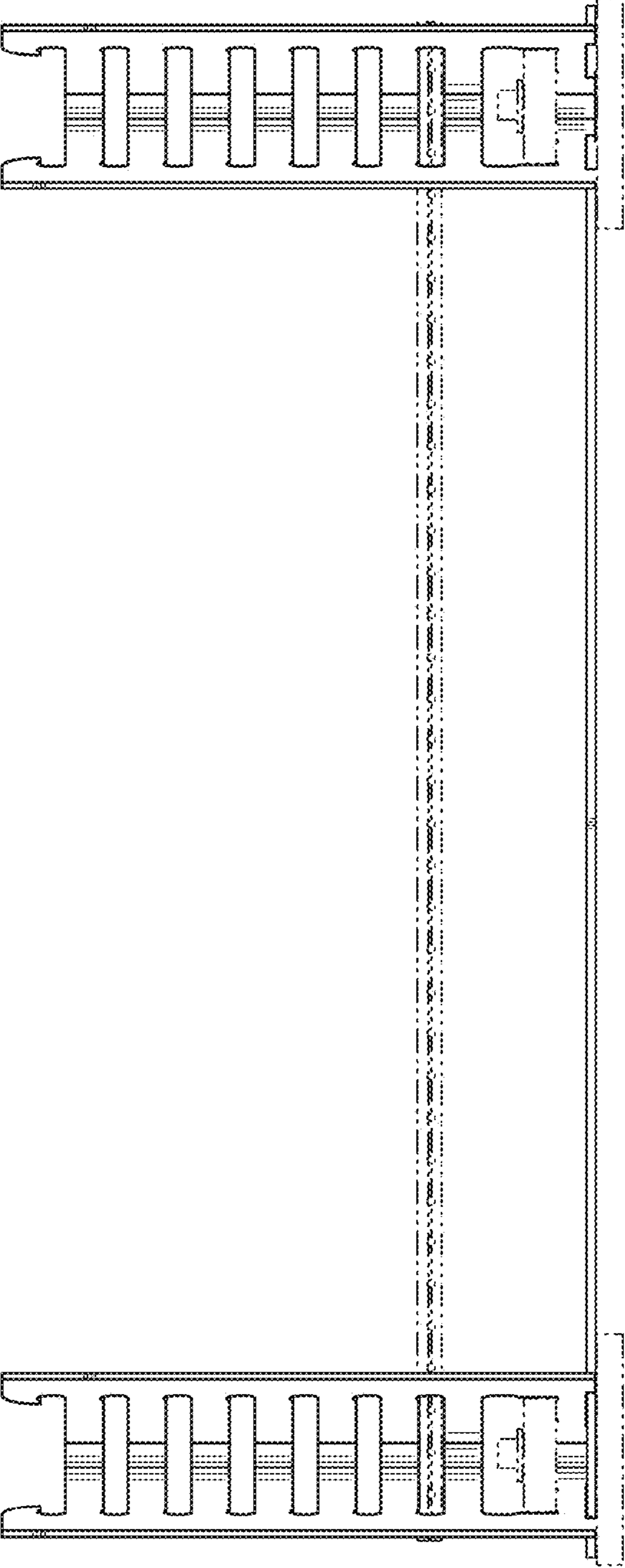


FIG. 8