



US00D749404S

(12) **United States Design Patent**  
**White**

(10) **Patent No.:** **US D749,404 S**

(45) **Date of Patent:** **\*\* Feb. 16, 2016**

(54) **OFFSET DISPLAY HOLDER**

(71) Applicant: **Michael J. White**, Ripon, WI (US)

(72) Inventor: **Michael J. White**, Ripon, WI (US)

(73) Assignee: **K-International, Inc.**, Waukegan, IL (US)

(\*\*) Term: **14 Years**

(21) Appl. No.: **29/484,730**

(22) Filed: **Mar. 12, 2014**

(51) **LOC (10) Cl.** ..... **08-05**

(52) **U.S. Cl.**  
USPC ..... **D8/380**

(58) **Field of Classification Search**  
USPC ..... D8/380, 349, 354, 381, 373, 367, 355, D8/363, 382, 374, 339, 376, 398, 47, 19, D8/16; D20/40, 42, 43, 44, 99; 52/4, 260, 52/649.1, 649.2, 296; D6/702, 550, 310; D23/259; 482/16; D12/160; D25/133; D14/238, 251, 447, 253; 224/250, 269, 224/901.4, 930, 242, 246, 669; 24/16 R; 248/59, 62, 58, 68.1, 295.11; D7/701; D3/218, 220; D52/677  
CPC ..... G09F 7/04; G09F 1/10; G09F 1/12; G09F 19/00; G09F 2007/1852; G09F 3/08; G09F 5/00; G09B 1/08  
See application file for complete search history.

(56) **References Cited**

**U.S. PATENT DOCUMENTS**

D238,412 S \* 1/1976 De Mars ..... D20/44  
D322,634 S \* 12/1991 Callas ..... D20/44  
D372,939 S \* 8/1996 Callas ..... D20/43

D381,695 S \* 7/1997 Lewis ..... D20/40  
D386,531 S \* 11/1997 Callas ..... D20/40  
D389,259 S \* 1/1998 Tichy et al. .... D20/43  
D389,526 S \* 1/1998 Callas ..... D20/43  
D423,592 S \* 4/2000 Wamsley ..... D20/42  
D496,248 S \* 9/2004 Liebendorfer ..... D8/354  
D511,548 S \* 11/2005 Wamsley ..... D20/43  
D537,326 S \* 2/2007 Wolff et al. .... D8/381  
D669,135 S \* 10/2012 Garfinkle ..... D20/43  
D673,223 S \* 12/2012 White ..... D20/43

\* cited by examiner

*Primary Examiner* — Robert M Spear

*Assistant Examiner* — Eliza Bennett-Hattan

(74) *Attorney, Agent, or Firm* — Schiff Hardin LLP

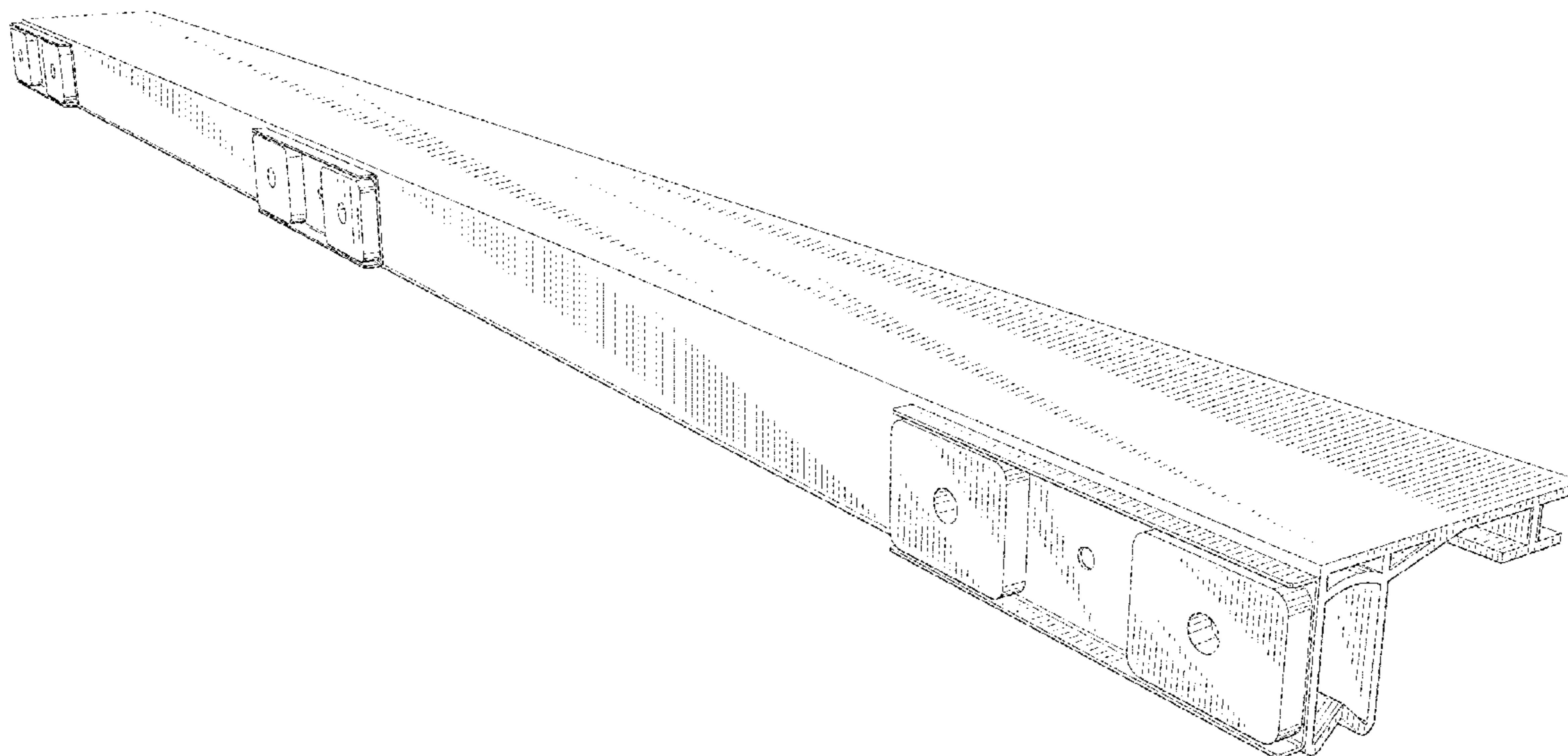
(57) **CLAIM**

The ornamental design of an offset display holder, as shown and described.

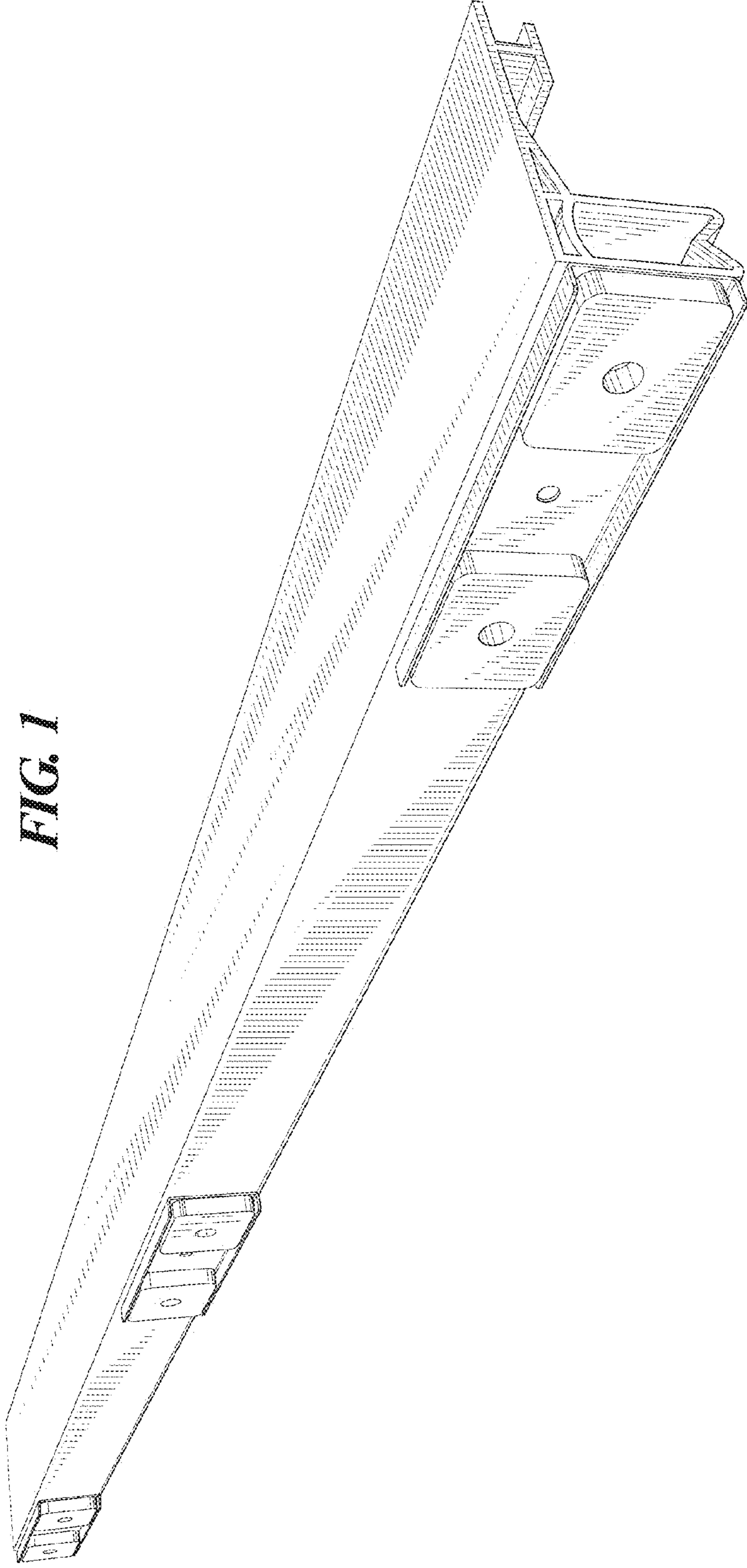
**DESCRIPTION**

FIG. 1 is a perspective view taken from the front, top, right side of the offset display holder showing my new design; FIG. 2 is a top plan view of the offset display holder of FIG. 1; FIG. 3 is a bottom plan view of the offset display holder of FIG. 1; FIG. 4 is a front elevational view of the offset display holder of FIG. 1; FIG. 5 is a back elevational view of the offset display holder of FIG. 1; and FIG. 6 is a right side elevational view of the offset display holder of FIG. 1; and, FIG. 7 is a left side elevational view of the offset display holder of FIG. 1. Portions shown in broken lines depict environmental subject matter only and form no part of the claimed design.

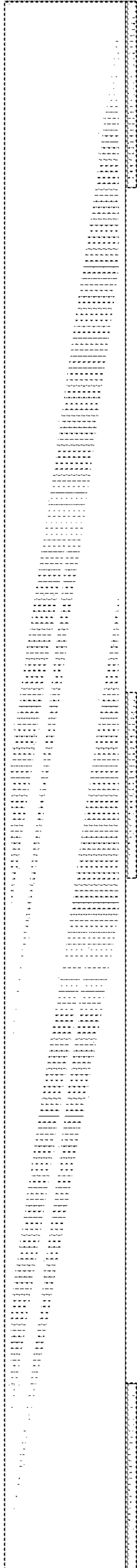
**1 Claim, 3 Drawing Sheets**



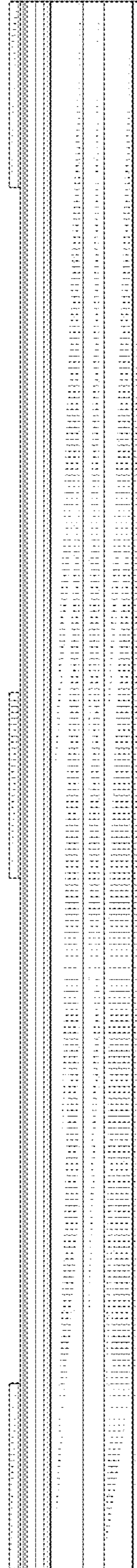
**FIG. 1**



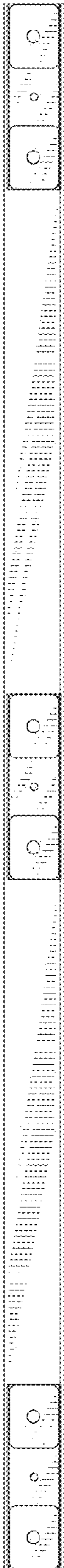
**FIG. 2**



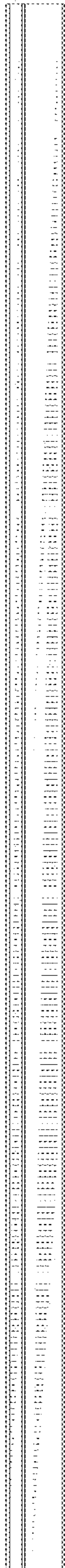
**FIG. 3**



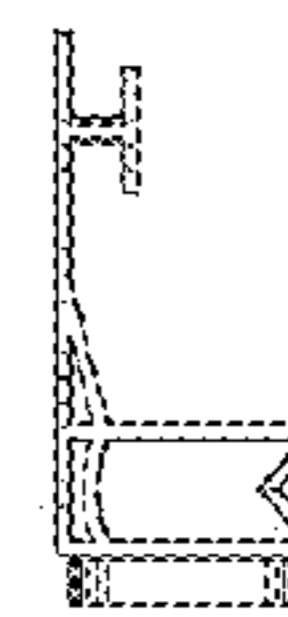
**FIG. 4**



**FIG. 5**



**FIG. 6**



**FIG. 7**

