



US00D749403S

(12) **United States Design Patent**
Ericsson

(10) **Patent No.:** **US D749,403 S**

(45) **Date of Patent:** **** Feb. 16, 2016**

(54) **HOLDER**

(71) Applicant: **DELEX TEKNIK AB**, Forsheda (SE)

(72) Inventor: **Thomas Ericsson**, Värnamo (SE)

(73) Assignee: **DELEX TEKNIK AB**, Forsheda (SE)

(**) Term: **14 Years**

(21) Appl. No.: **29/476,007**

(22) Filed: **Dec. 10, 2013**

(51) **LOC (10) Cl.** **08-05**

(52) **U.S. Cl.**
USPC **D8/380**

(58) **Field of Classification Search**
USPC D8/380, 349, 354, 381, 373, 367, 355,
D8/363, 382, 374, 339, 376; 224/250, 269,
224/901.4, 930, 242, 246, 669; 52/4, 260,
52/649.1, 649.2, 296; D6/702, 550;
D23/259; 482/16; D12/160; D25/133,
D25/55; D14/238, 251
See application file for complete search history.

(56) **References Cited**

U.S. PATENT DOCUMENTS

D29,676 S * 11/1898 Eppers D8/363
D30,609 S * 4/1899 Murphy D8/363
D30,844 S * 5/1899 Roed D8/363

D301,523 S * 6/1989 Barbieri et al. D6/323
D317,861 S * 7/1991 Lechner D8/380
D327,641 S * 7/1992 Hoskinson et al. D8/370
D374,604 S * 10/1996 Hnatowicz et al. D8/373
D582,258 S * 12/2008 Ripley et al. D8/354
D650,655 S * 12/2011 Wester D8/354
D651,066 S * 12/2011 Johnson, III D8/354
D651,067 S * 12/2011 Johnson, III D8/354
D706,120 S * 6/2014 Gemino et al. D8/380

* cited by examiner

Primary Examiner — Robert M Spear

Assistant Examiner — Eliza Bennett-Hattan

(74) *Attorney, Agent, or Firm* — Buchanan Ingersoll & Rooney PC

(57) **CLAIM**

The ornamental design for a holder, as shown and described.

DESCRIPTION

FIG. 1 is a right elevational view of a holder showing my new design.

FIG. 2 is a bottom plan view thereof.

FIG. 3 is a front elevational view thereof.

FIG. 4 is a top plan view thereof.

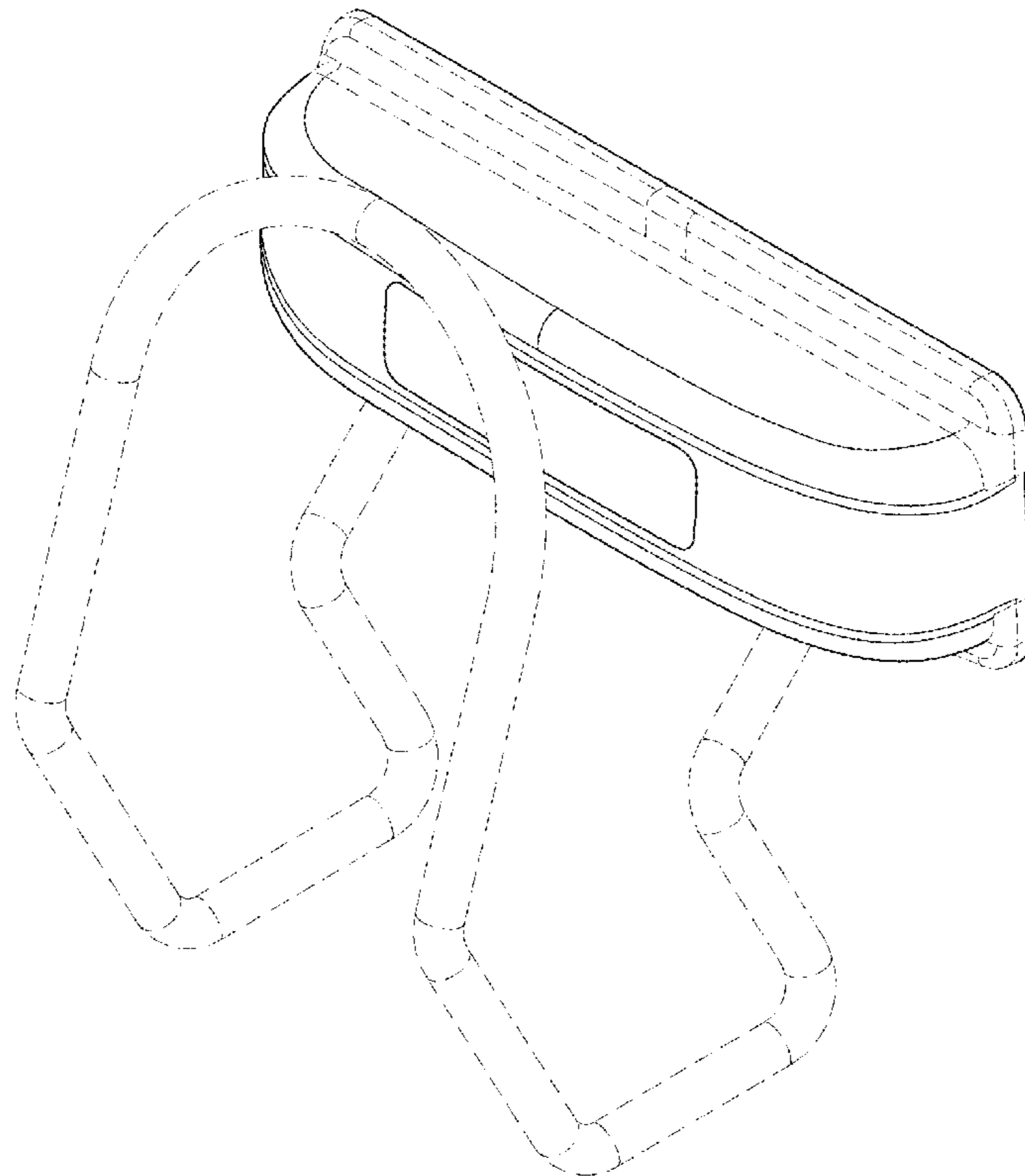
FIG. 5 is a rear elevational view thereof.

FIG. 6 is a left elevational view thereof; and,

FIG. 7 is a perspective view thereof.

The broken line showing in FIGS. 1-7 is for environmental purposes only and forms no part of the claimed design.

1 Claim, 7 Drawing Sheets



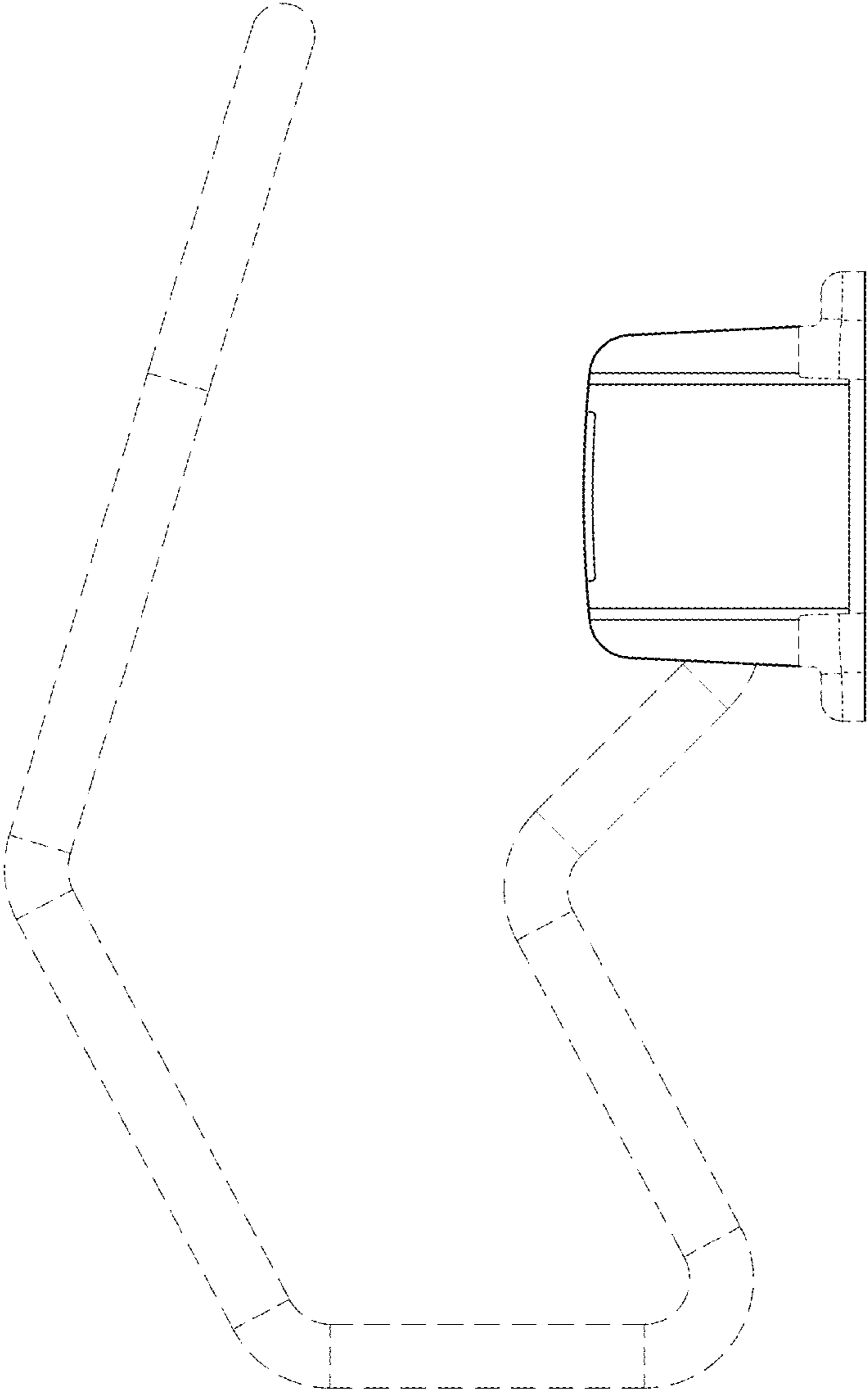


FIG. 1

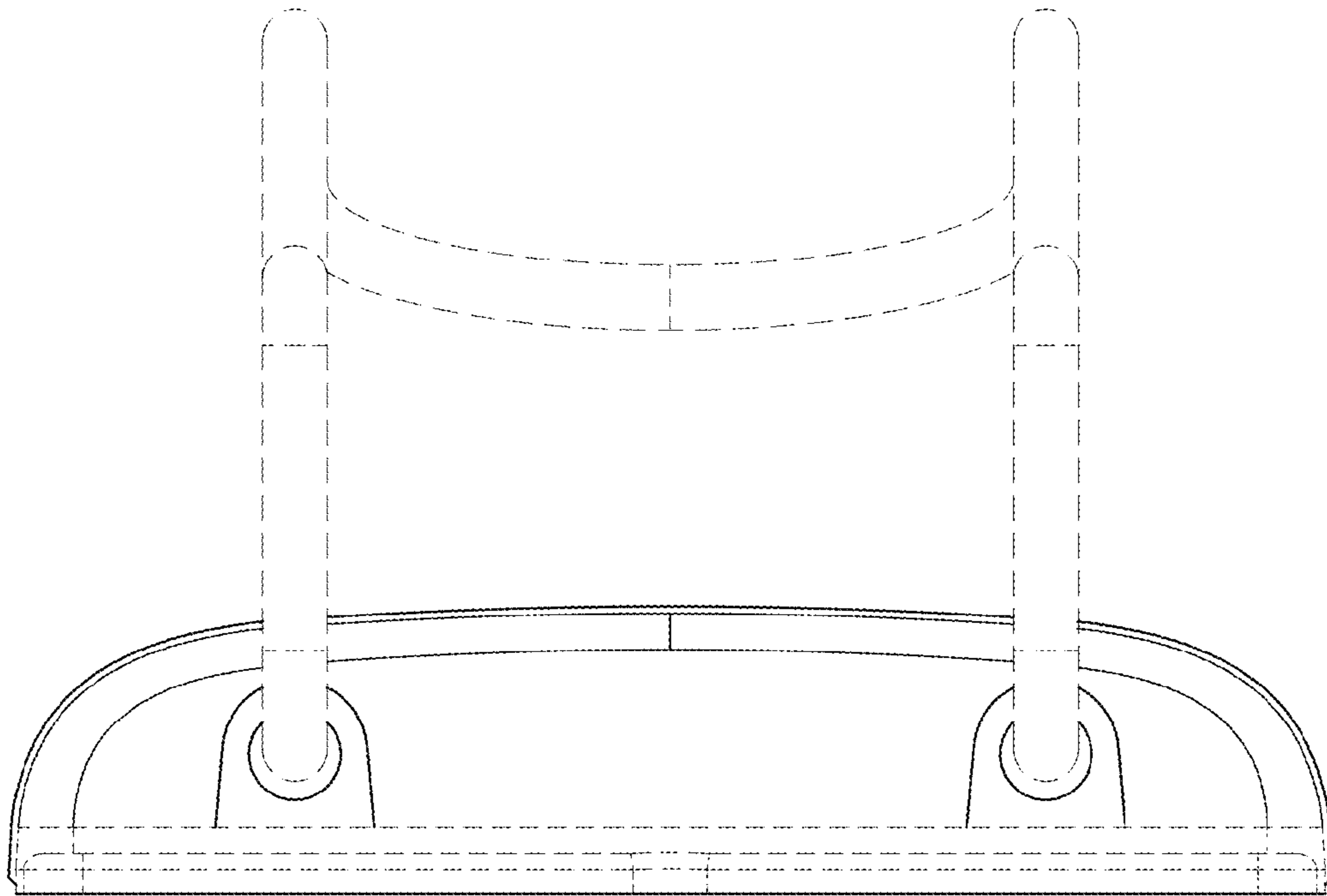


FIG. 2

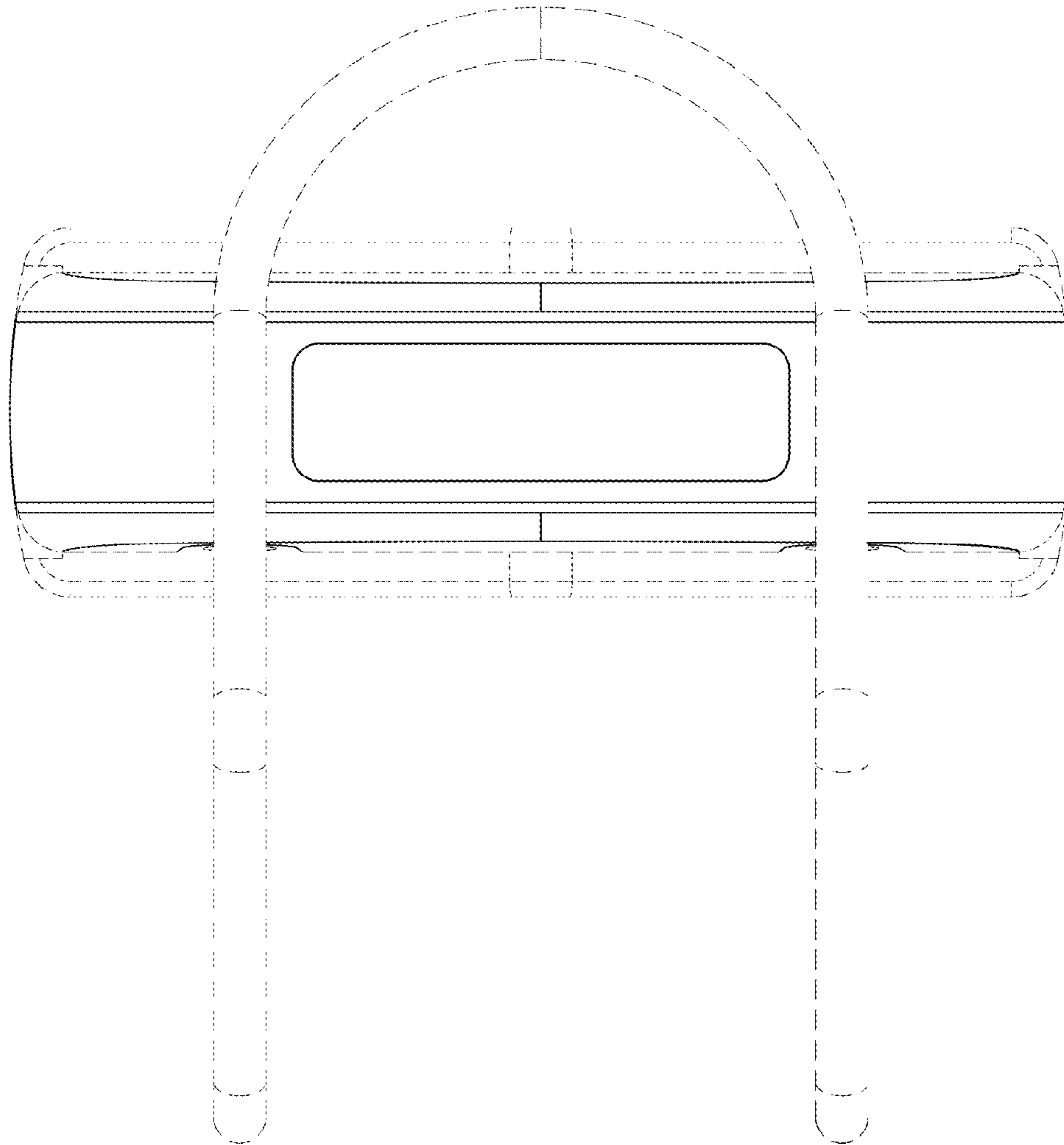


FIG. 3

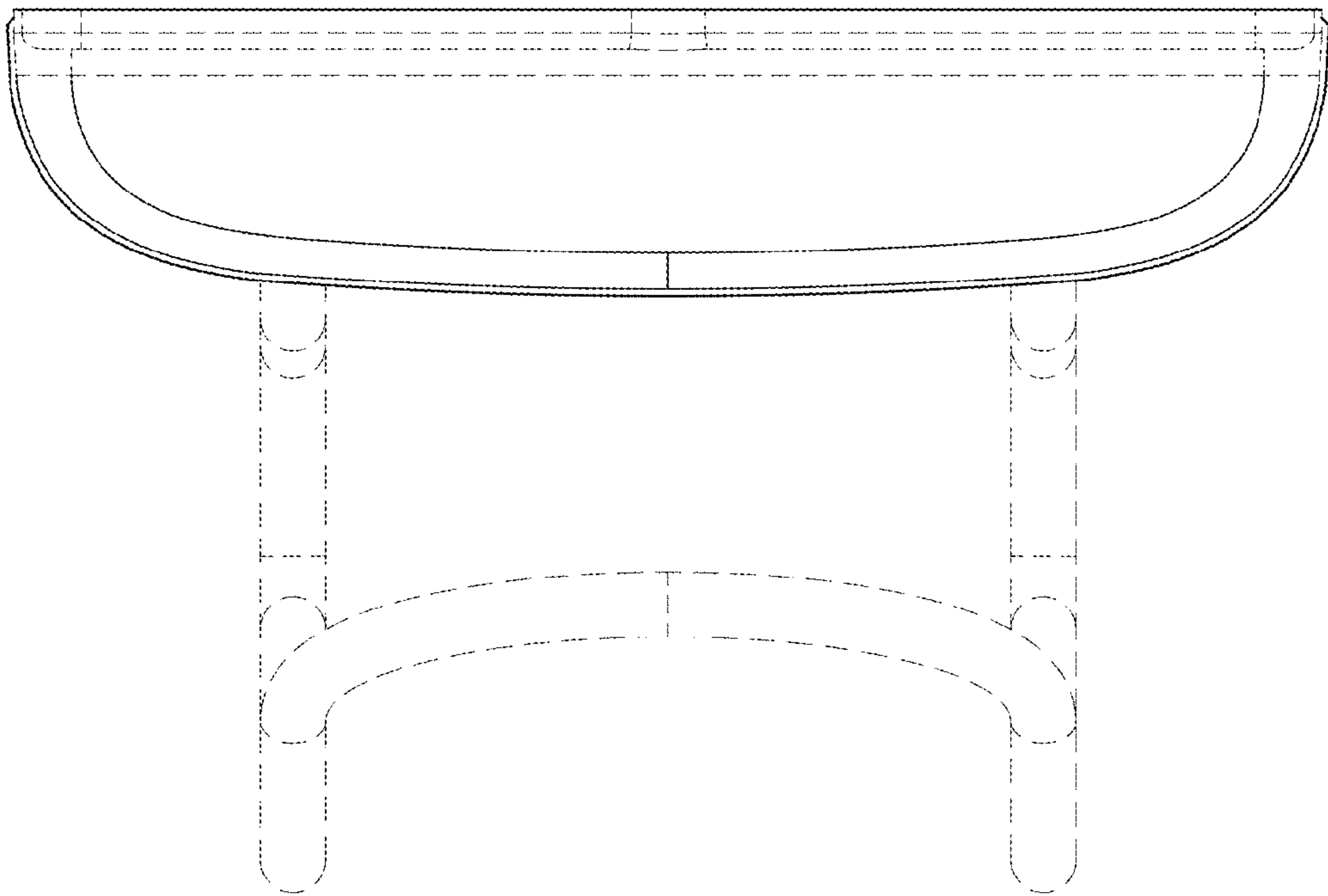


FIG. 4

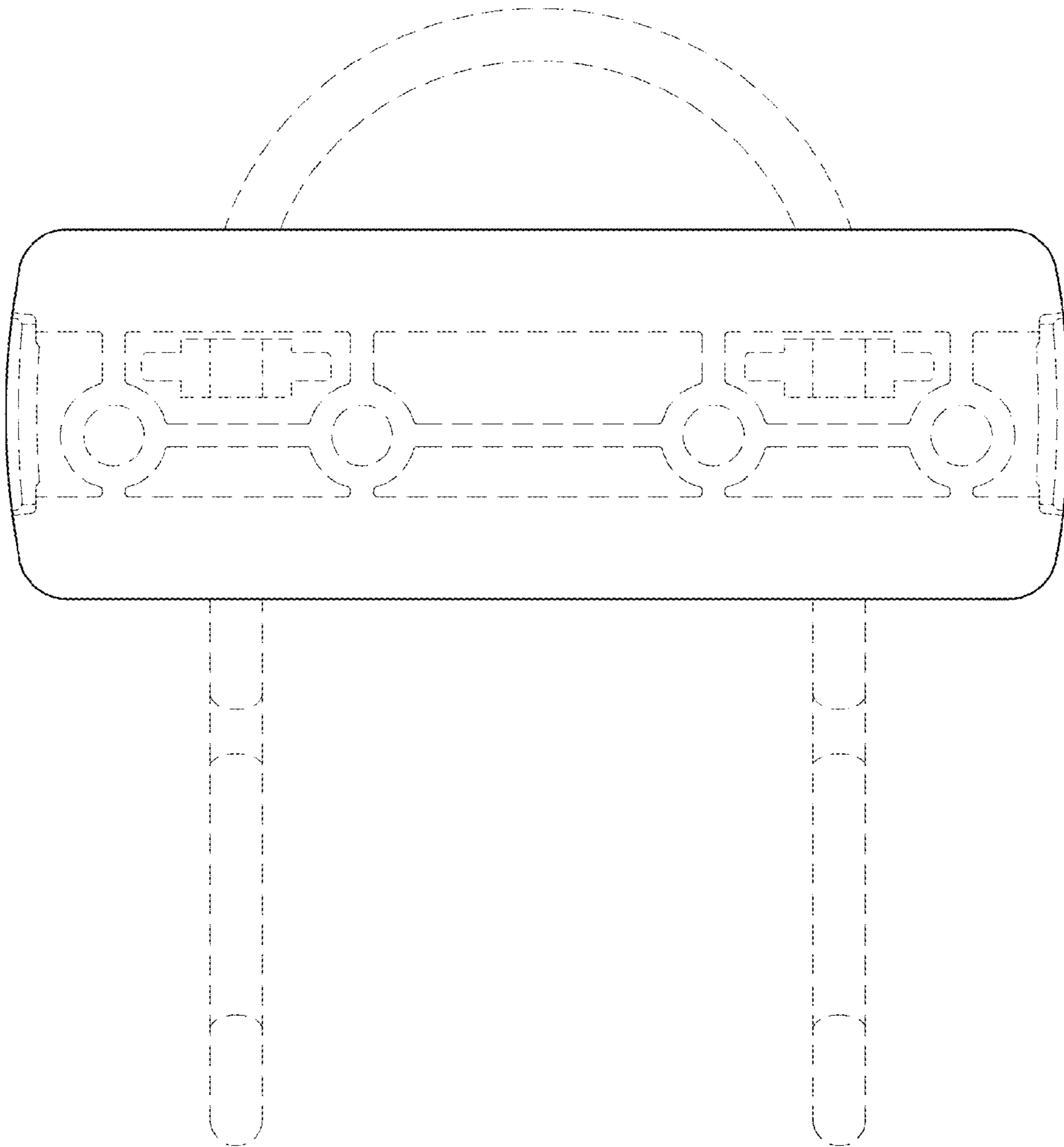


FIG. 5

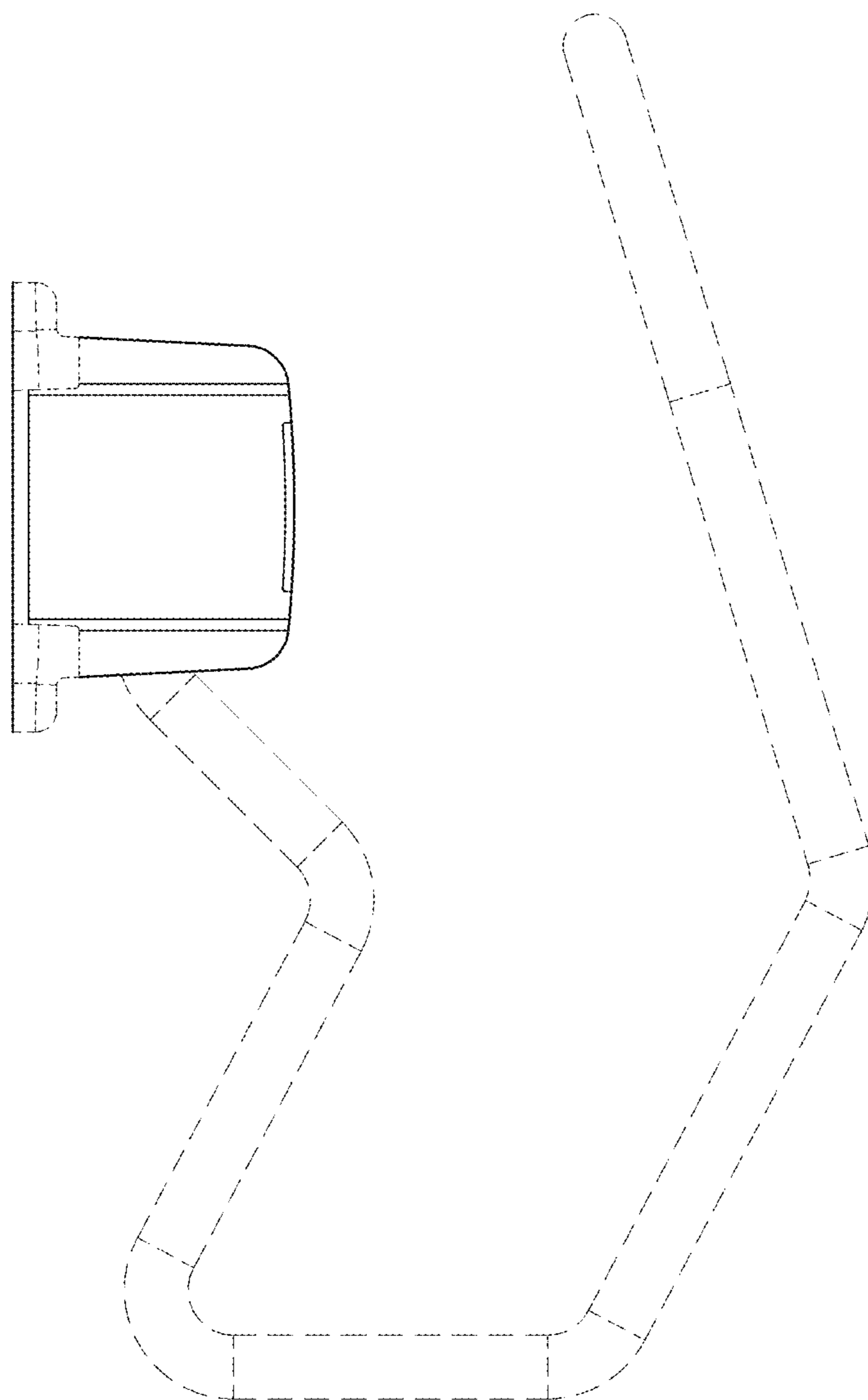


FIG. 6

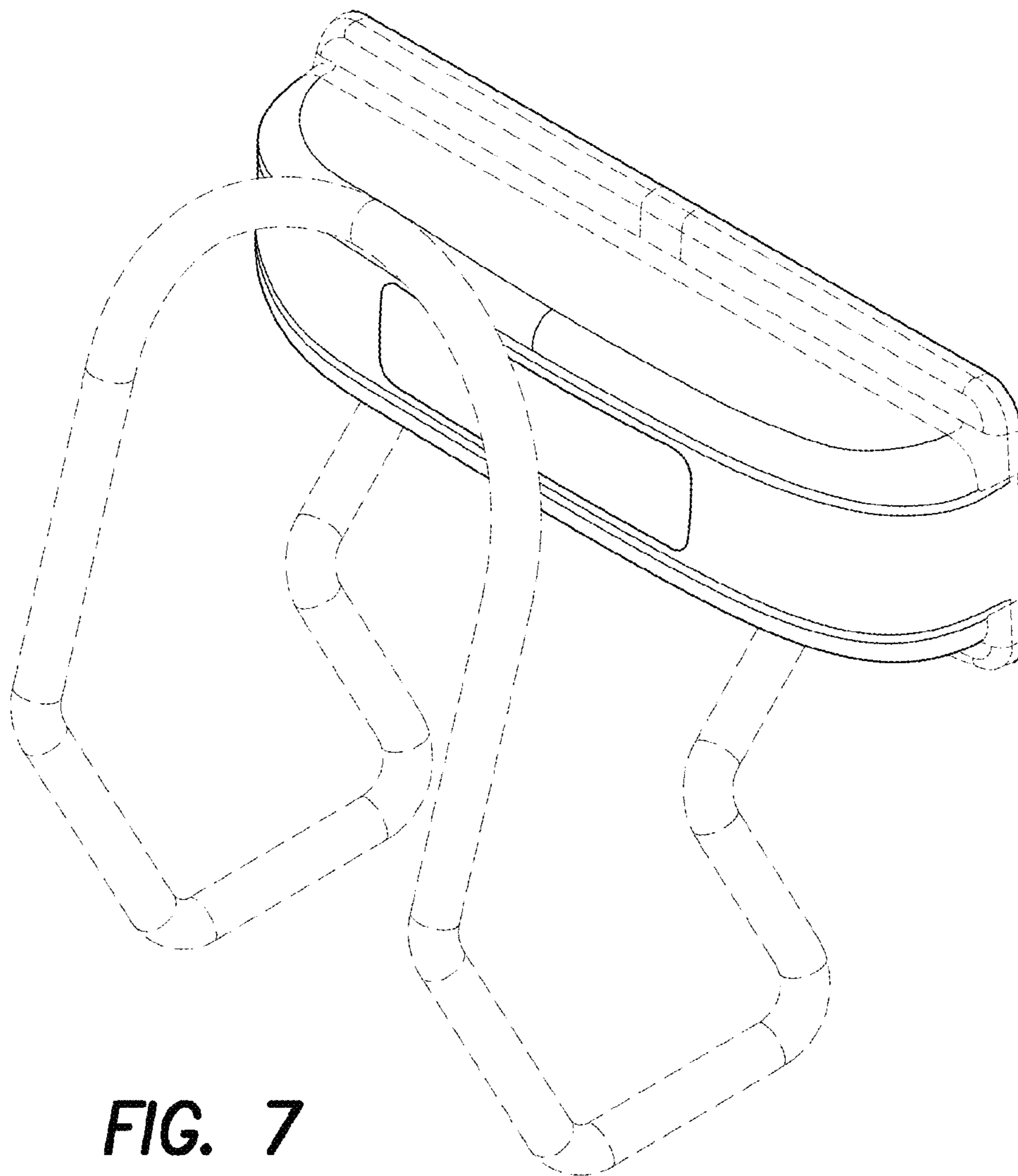


FIG. 7