



US00D749402S

(12) **United States Design Patent**  
**Veilleux**

(10) **Patent No.:** **US D749,402 S**

(45) **Date of Patent:** **\*\* Feb. 16, 2016**

(54) **END CAP**

(71) Applicant: **David Veilleux**, Stillwater, MN (US)

(72) Inventor: **David Veilleux**, Stillwater, MN (US)

(73) Assignee: **152310 Canada**, Quebec (CA)

(\*\*) Term: **14 Years**

(21) Appl. No.: **29/469,181**

(22) Filed: **Oct. 8, 2013**

(51) **LOC (10) Cl.** ..... **08-05**

(52) **U.S. Cl.**  
USPC ..... **D8/376**

(58) **Field of Classification Search**  
USPC ..... D8/383, 374, 300, 303, 313, 314, 394,  
D8/396, 380, 373, 395, 363, 381, 44, 19,  
D8/352, 370, 308, 372, 376; D13/133;  
D19/1; D22/108; D26/87; D9/686,  
D9/687; D23/238; D6/300  
CPC . F16M 11/10; F16M 13/00; F16M 2200/024;  
F16M 11/38; F16M 2200/08; F16M 11/00;  
F16M 11/041; F16M 13/02; F16M 11/04;  
F16M 11/18; F16M 11/2085; F16M 11/22;  
F16M 13/005; F16M 13/022; F16M 2220/041;  
A47F 7/147; G09F 7/20

See application file for complete search history.

(56) **References Cited**

U.S. PATENT DOCUMENTS

D136,137 S *	8/1943	Teninty .....	D8/363
D286,371 S *	10/1986	Shuman .....	D8/373
D296,760 S *	7/1988	McGrath .....	D8/373
D309,255 S *	7/1990	Karow, Jr. ....	D8/395
D344,886 S *	3/1994	Sachs .....	D8/373
D348,386 S *	7/1994	Cogburn .....	D8/373
D645,335 S *	9/2011	Herman .....	D8/363
D666,899 S *	9/2012	Eichner et al. ....	D8/380

\* cited by examiner

*Primary Examiner* — Robert M Spear

*Assistant Examiner* — Eliza Bennett-Hattan

(74) *Attorney, Agent, or Firm* — James A. Italia; Italia IP

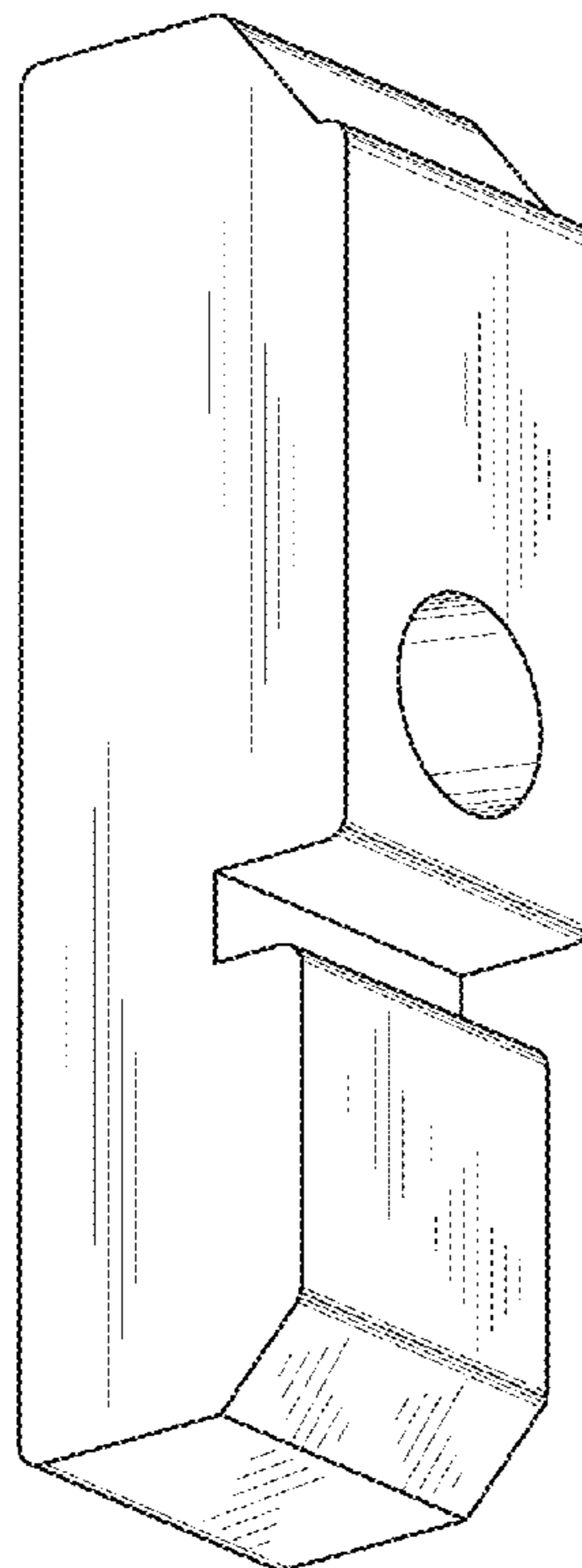
(57) **CLAIM**

The ornamental design for an end cap, as shown and described.

**DESCRIPTION**

FIG. 1 is a perspective view of an end cap, showing my new design;  
FIG. 2 is a front elevational view of the invention;  
FIG. 3 is a rear elevational view of the invention;  
FIG. 4 is a right-side elevational view of the invention;  
FIG. 5 is a left-side elevational view of the invention;  
FIG. 6 is a top plan view of the invention; and,  
FIG. 7 is a bottom plan view of the invention.

**1 Claim, 2 Drawing Sheets**



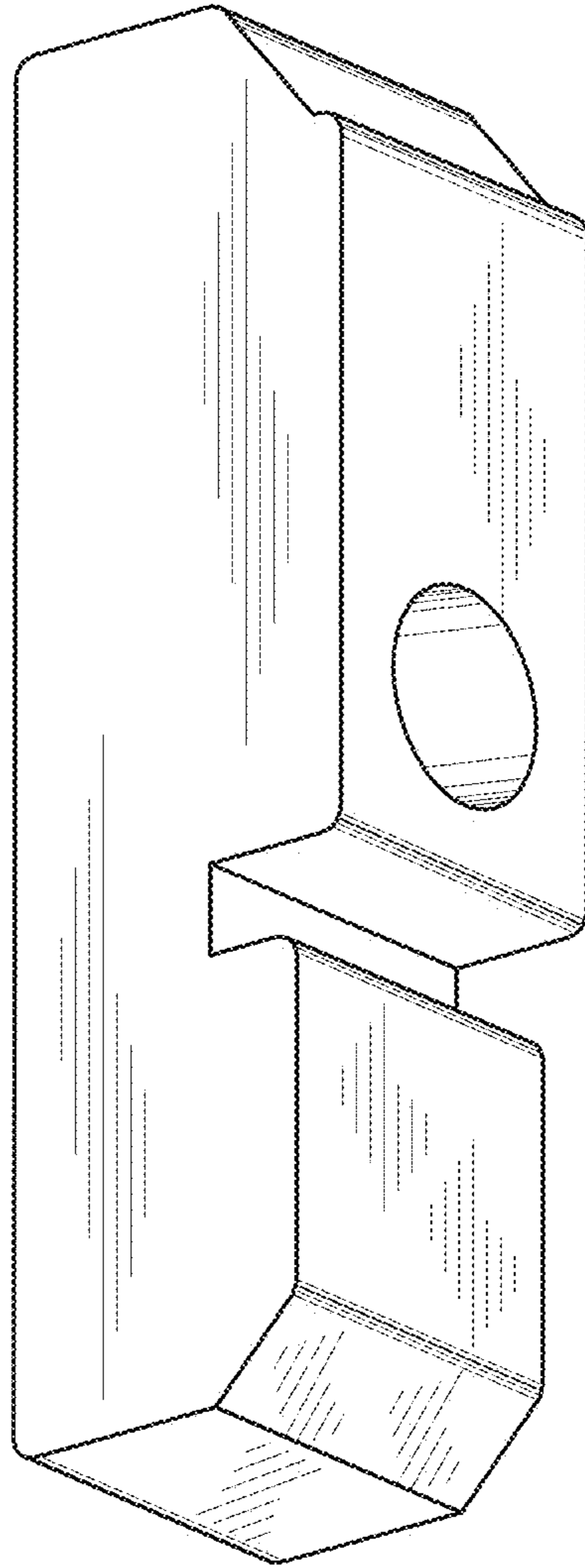


FIG. 1

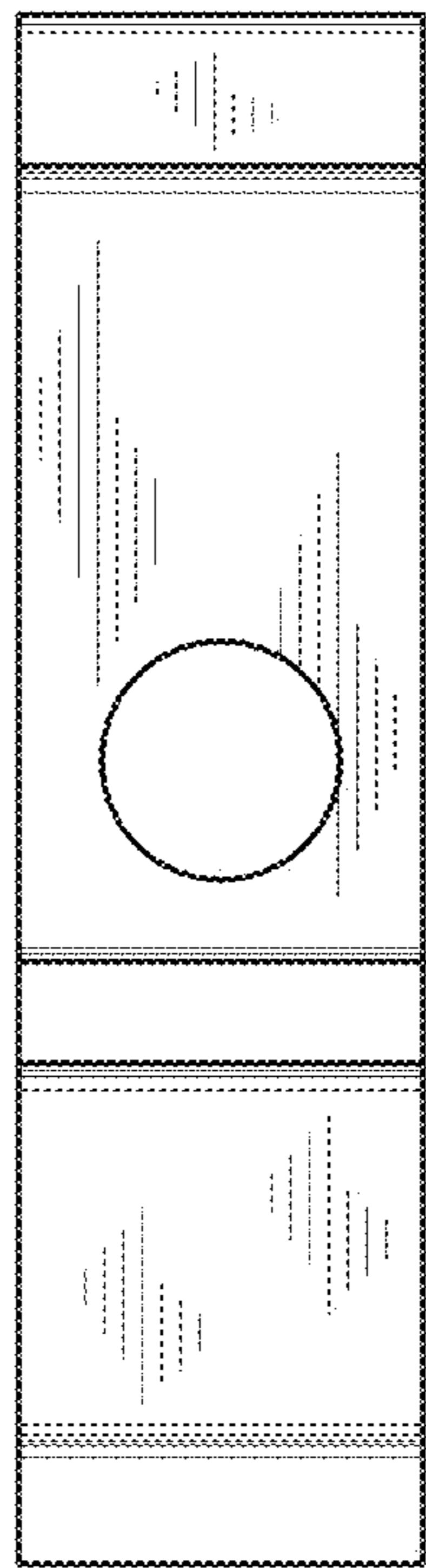


FIG. 2

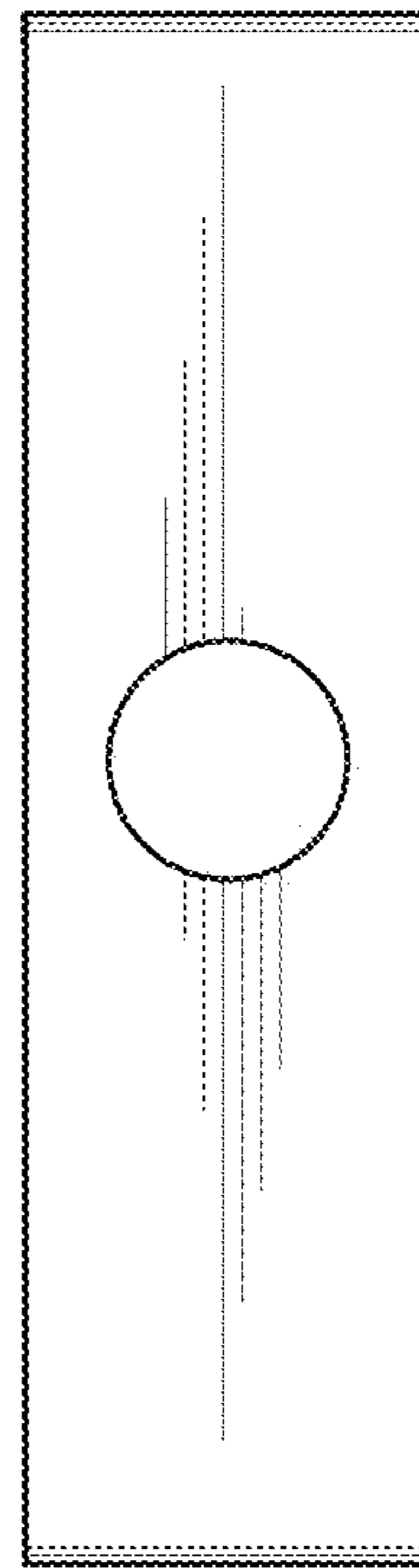


FIG. 3

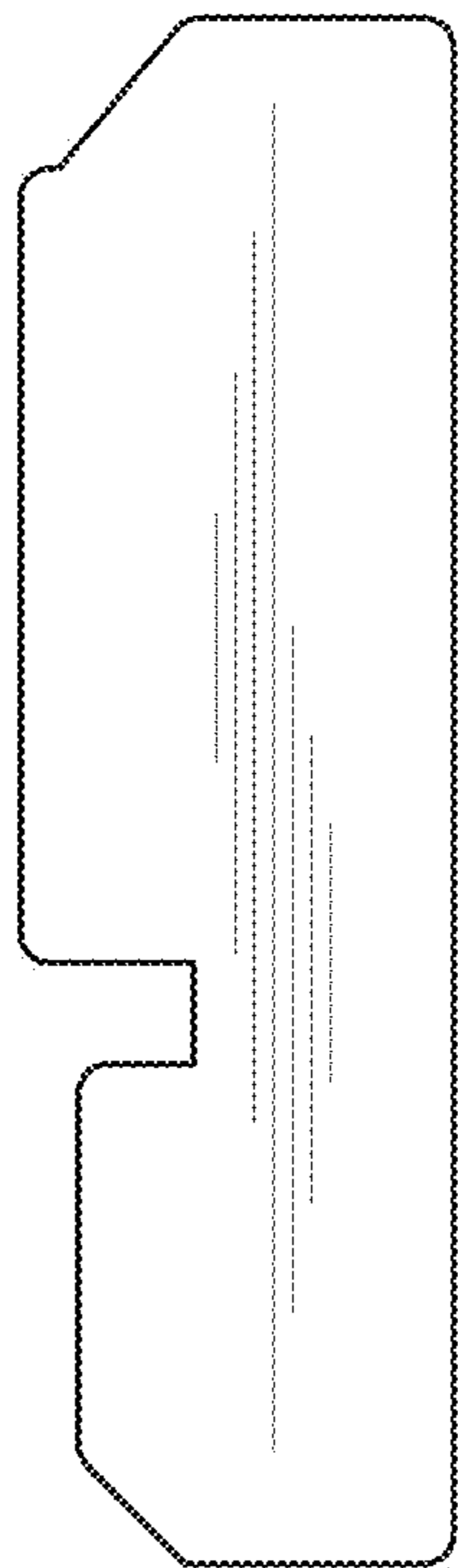


FIG. 4

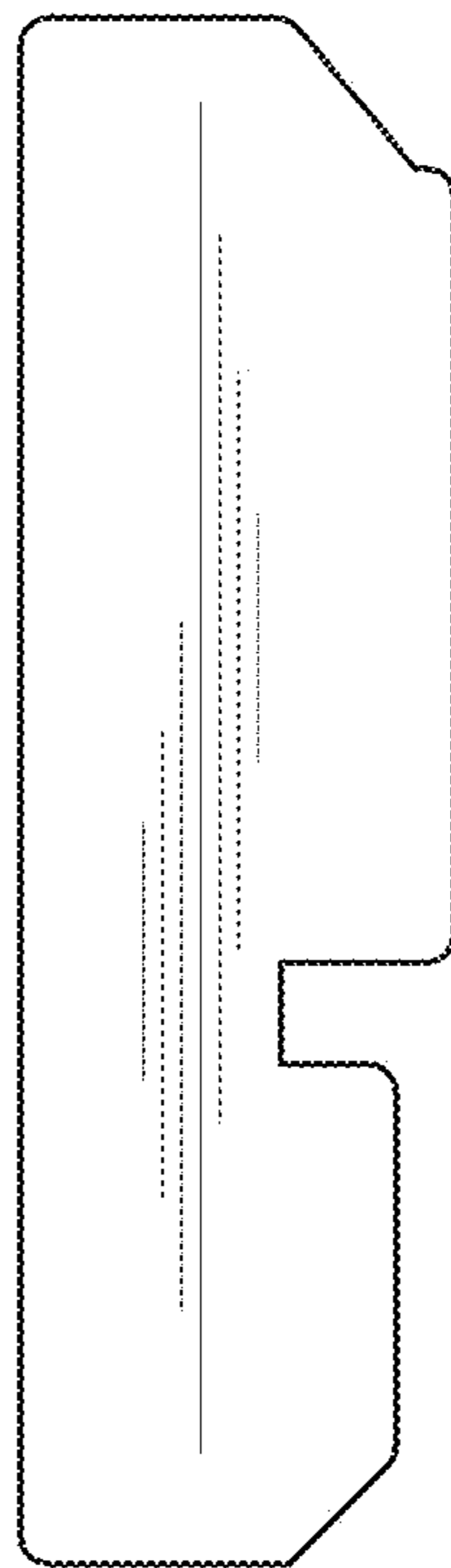


FIG. 5

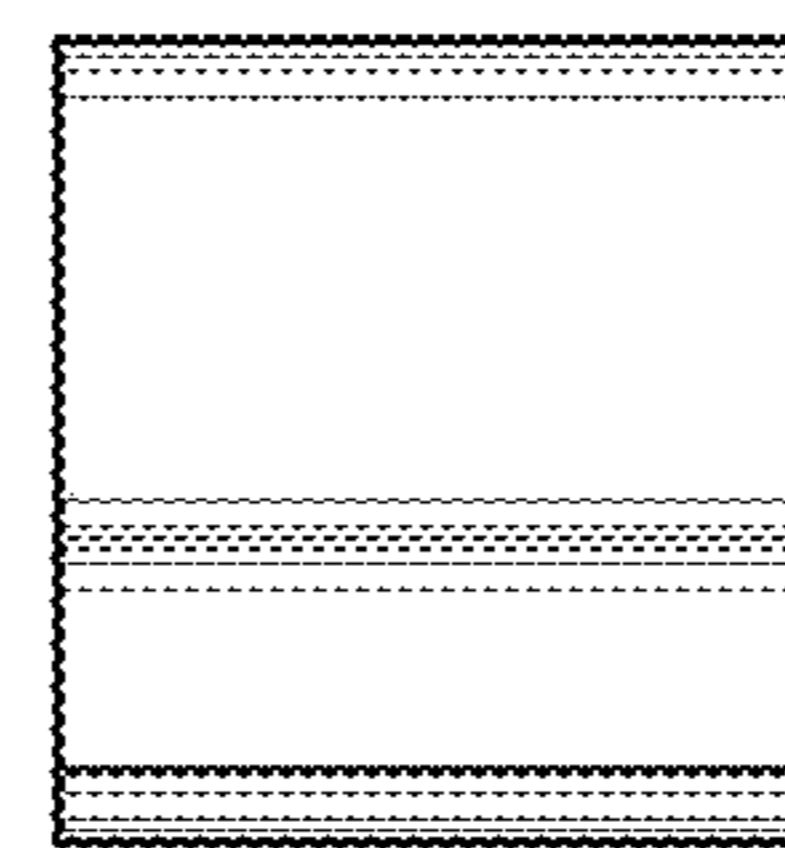


FIG. 6

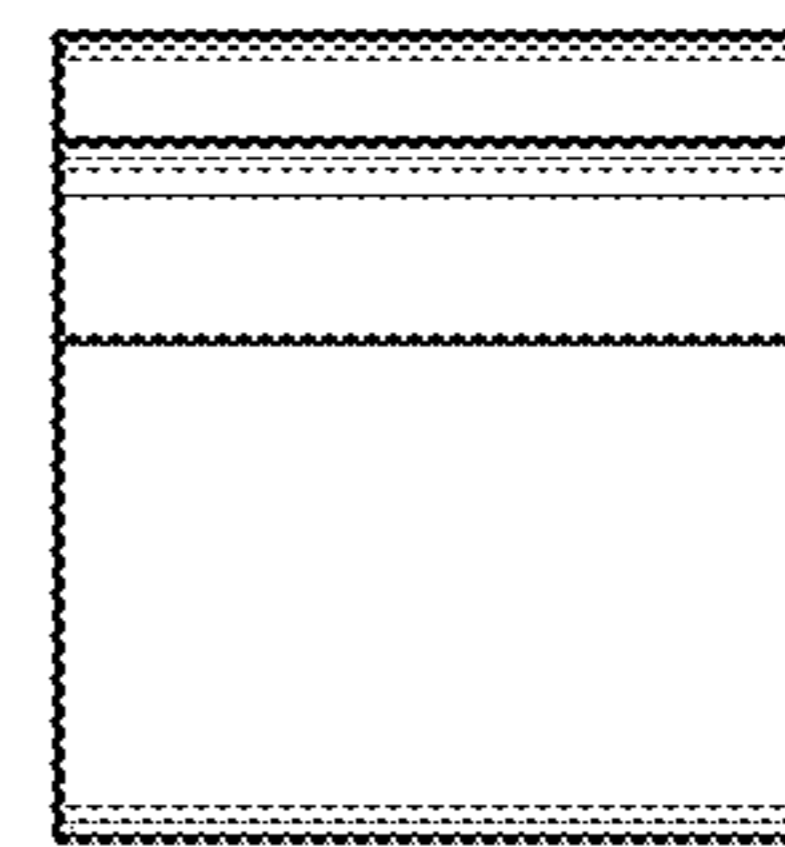


FIG. 7