



US00D749401S

(12) **United States Design Patent**
Duvekot

(10) **Patent No.:** **US D749,401 S**
(45) **Date of Patent:** **** Feb. 16, 2016**

(54) **ATTACHMENT DEVICE**
(71) Applicant: **Kedge Holding B.V.**, HB Gorinchem (NL)
(72) Inventor: **Joost Cornelis Duvekot**, The Hague (NL)
(73) Assignee: **KEDGE HOLDING B.V.**, HB (NL)
(**) Term: **14 Years**

(21) Appl. No.: **29/503,720**
(22) Filed: **Sep. 29, 2014**

(30) **Foreign Application Priority Data**
Mar. 28, 2014 (EM) 002435503-0001
(51) **LOC (10) Cl.** **08-05**
(52) **U.S. Cl.**
USPC **D8/367**
(58) **Field of Classification Search**
USPC D8/367, 398, 394, 382, 349, 312, 107,
D8/399, 397, 360, 356, 372; D11/222;
D2/869
CPC A41F 9/007; A47G 29/083; A47G 25/065;
B60N 3/005; B60P 7/0807; B60R 7/10
See application file for complete search history.

(56) **References Cited**
U.S. PATENT DOCUMENTS
D19,738 S * 4/1890 Huntley D23/211.2
D336,031 S * 6/1993 Kaplan D8/367
D616,290 S * 5/2010 Sullivan D6/556
D649,792 S * 12/2011 Nosworthy D6/315

D658,484 S * 5/2012 Wall D8/349
D699,557 S * 2/2014 Luchsinger D8/395
8,661,624 B1 * 3/2014 Bracewell B63B 21/08
24/129 B
D704,536 S * 5/2014 Porta D8/356
D710,679 S * 8/2014 Miller D8/356
D724,415 S * 3/2015 Lu D8/373
D731,296 S * 6/2015 Nelson D8/356
D737,116 S * 8/2015 Lussier D8/349
D738,277 S * 9/2015 Pulley, Jr. D12/180
D739,201 S * 9/2015 Hermansen D8/88
D739,211 S * 9/2015 Laing D8/356
D740,646 S * 10/2015 Sargent D8/367

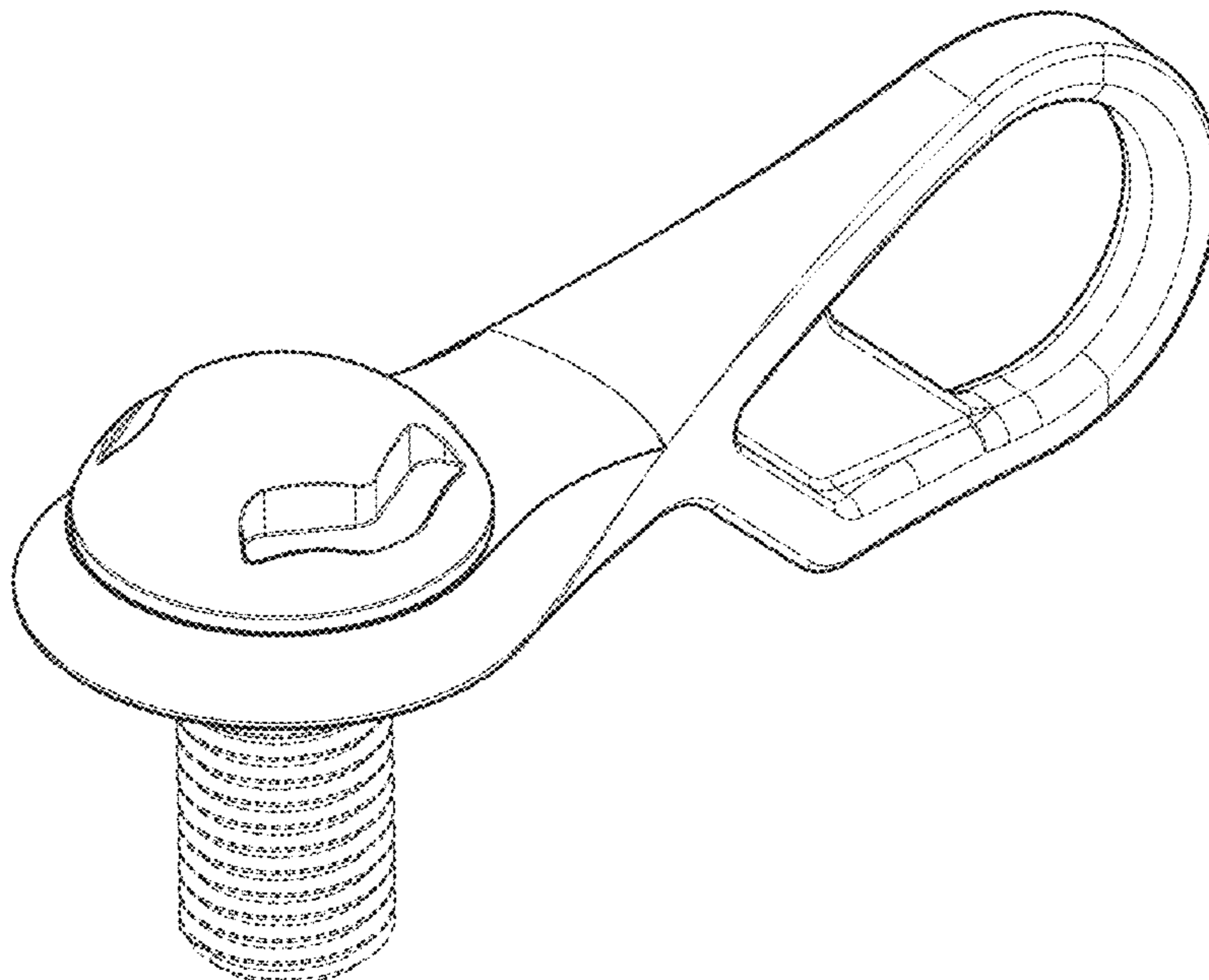
* cited by examiner

Primary Examiner — Cynthia Underwood
(74) *Attorney, Agent, or Firm* — Young & Thompson

(57) **CLAIM**
The ornamental design for a attachment device, as shown and described.

DESCRIPTION
FIG. 1 is a front, right side and top perspective view of an attachment device showing the new design;
FIG. 2 is a front elevation view thereof;
FIG. 3 is a rear elevation view thereof;
FIG. 4 is a left side elevation view thereof;
FIG. 5 is a top plan view thereof;
FIG. 6 is a bottom plan view thereof; and,
FIG. 7 is a front, right side and top perspective view thereof, shown reduced in scale, as included in a safety device for a personal fall protection.
The broken lines shown in FIGS. 1-4, 6, and 7 represent unclaimed subject matter and form no part of the claimed design.

1 Claim, 7 Drawing Sheets



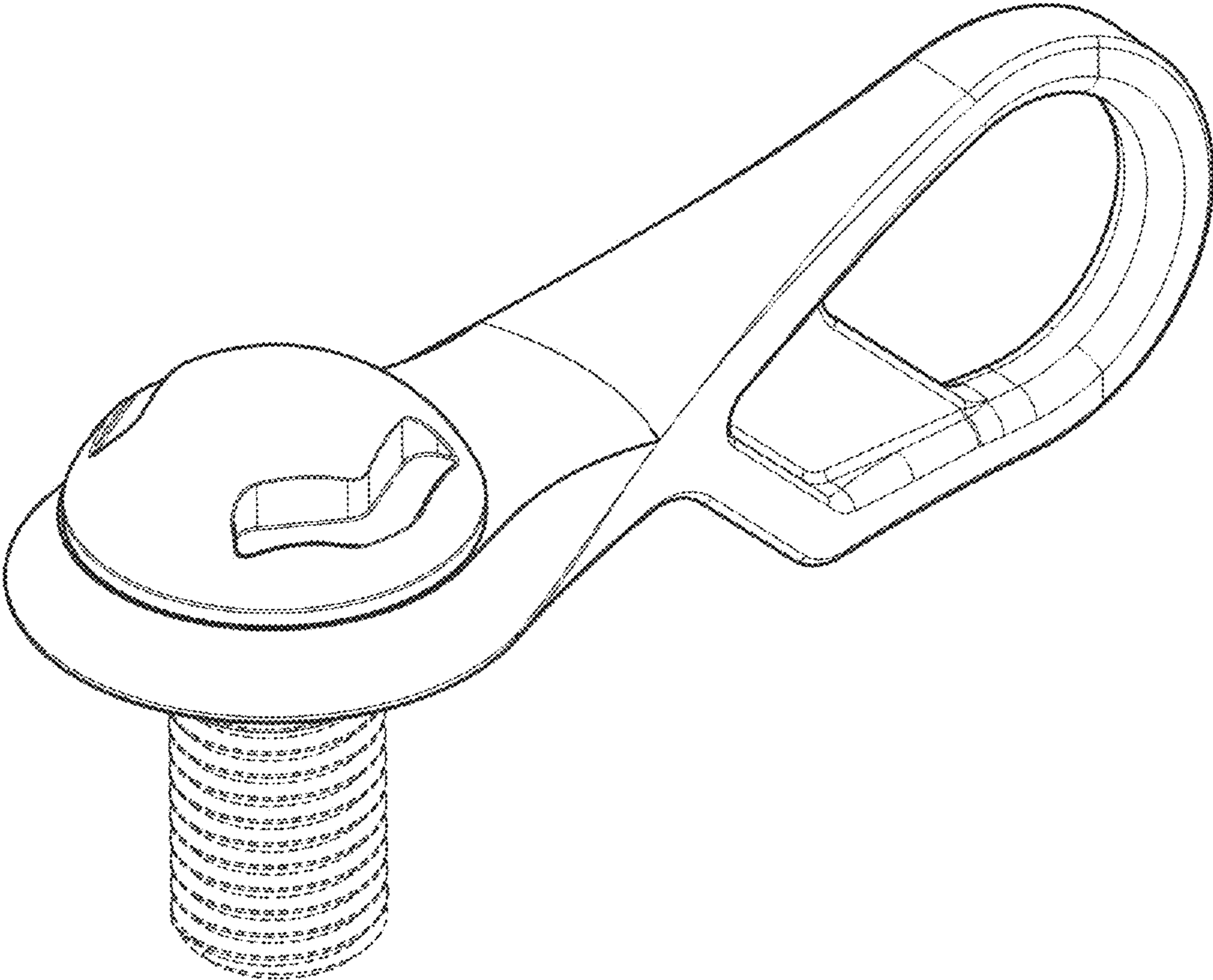


Fig. 1

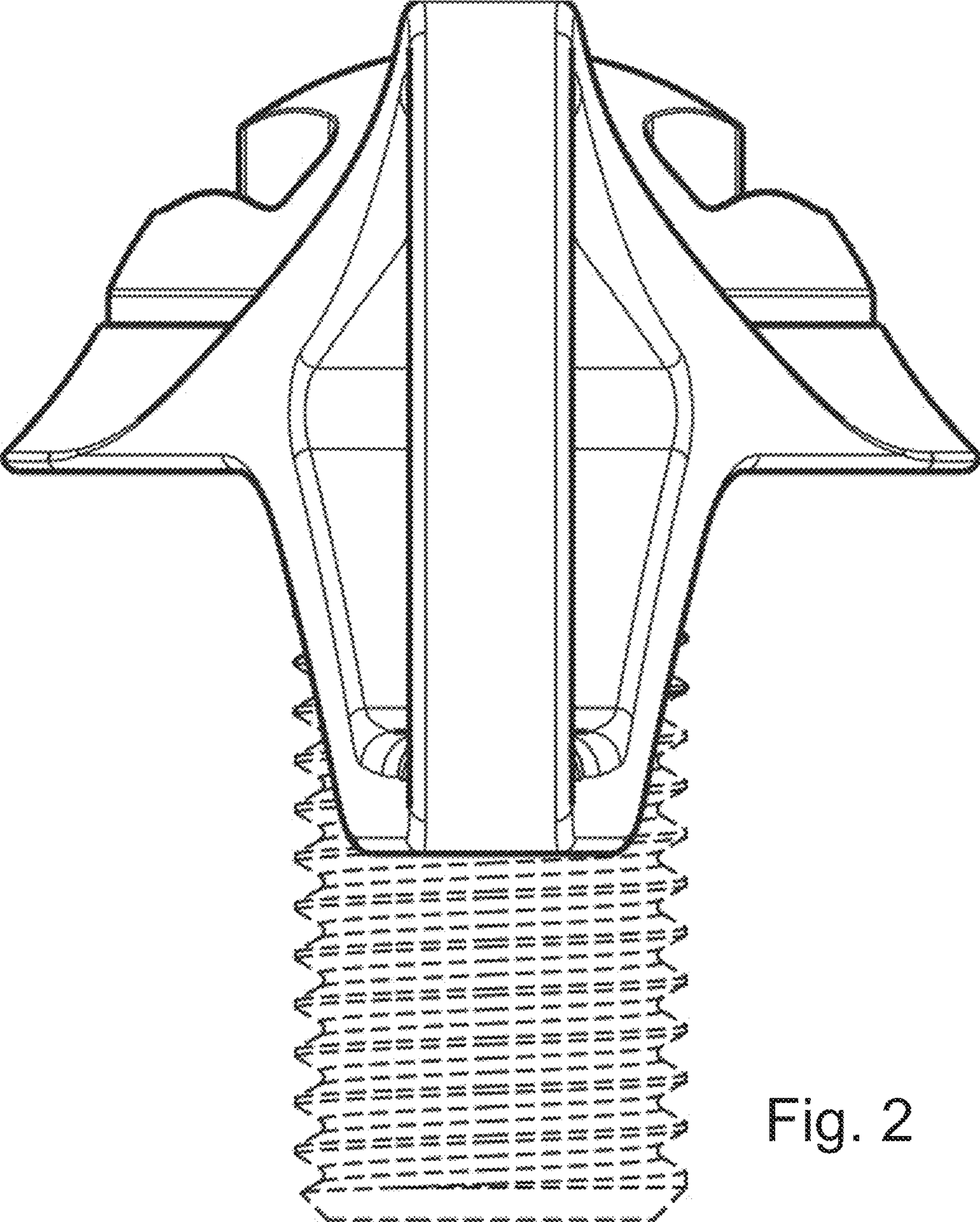


Fig. 2

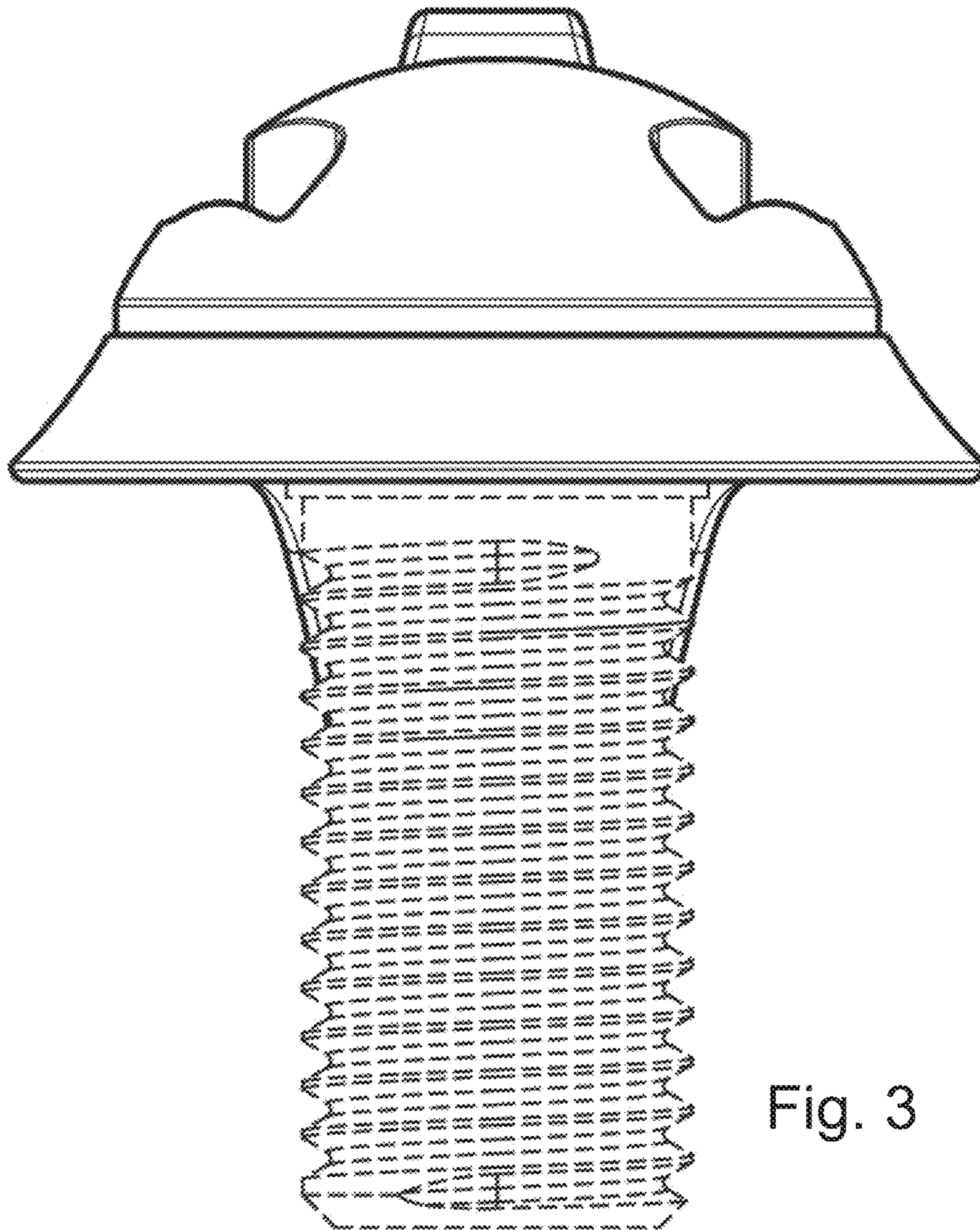


Fig. 3

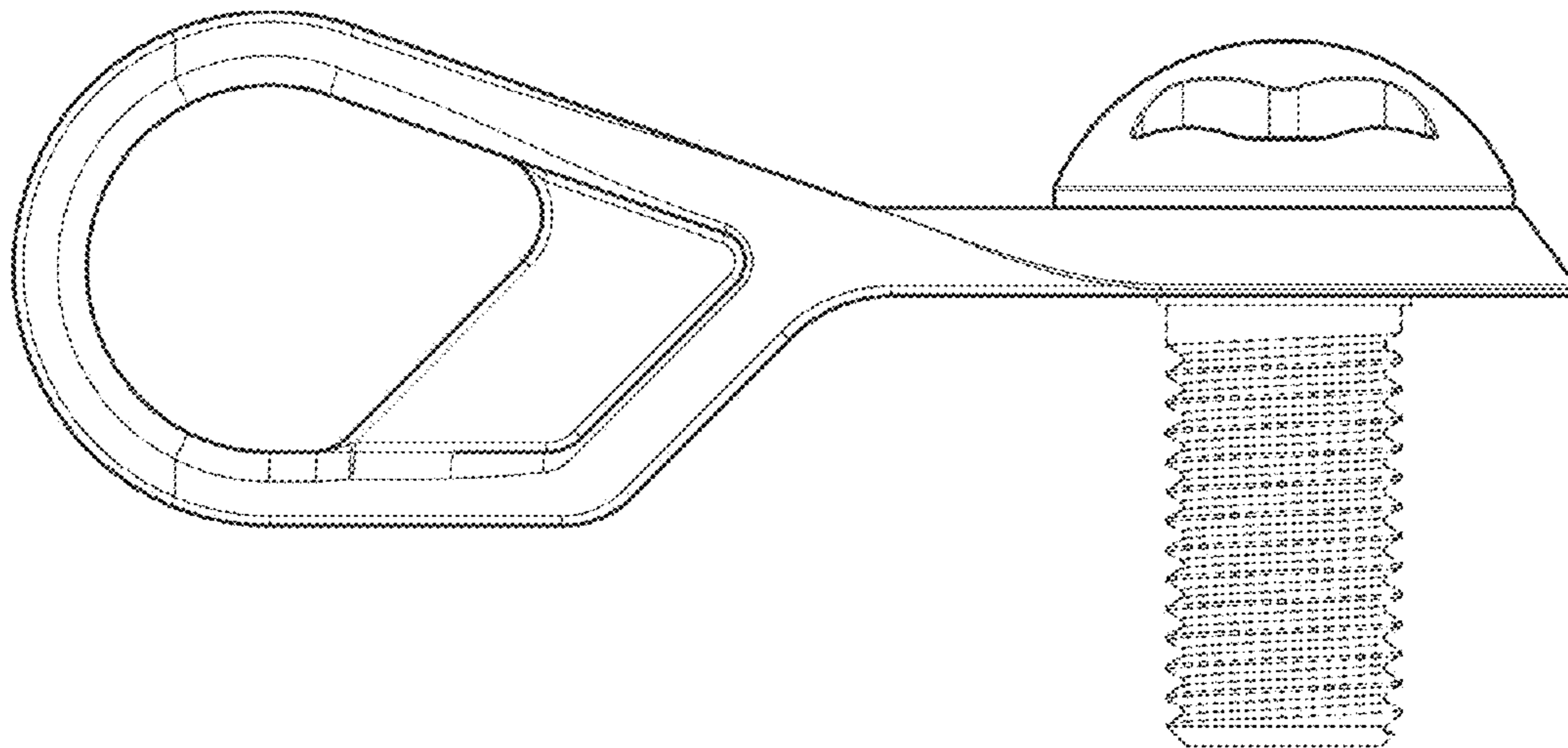


Fig. 4

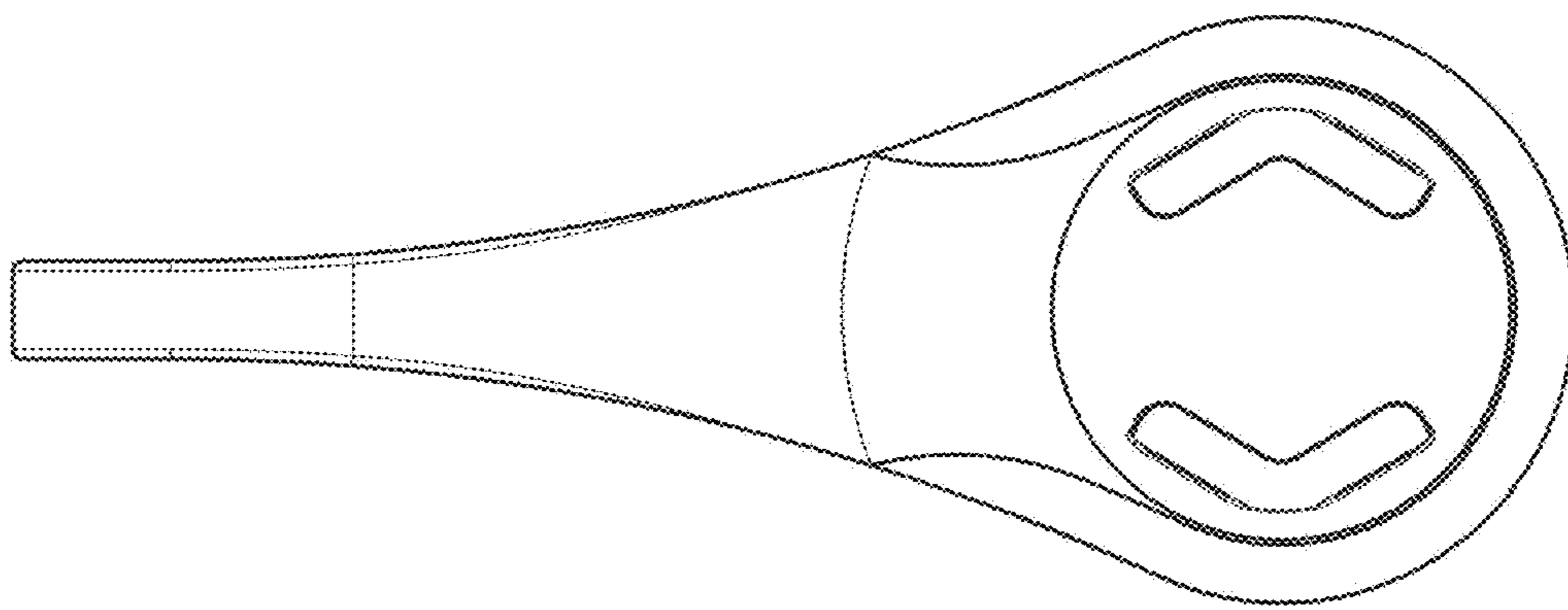


Fig. 5

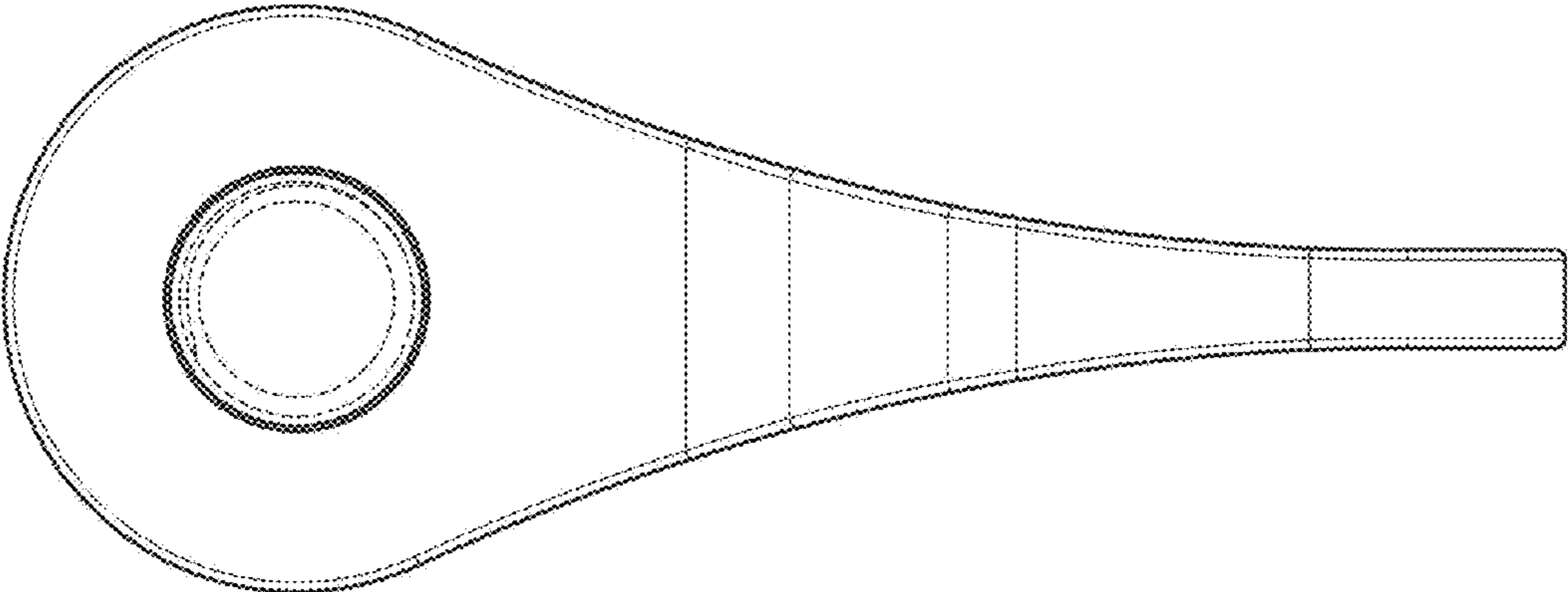


Fig. 6

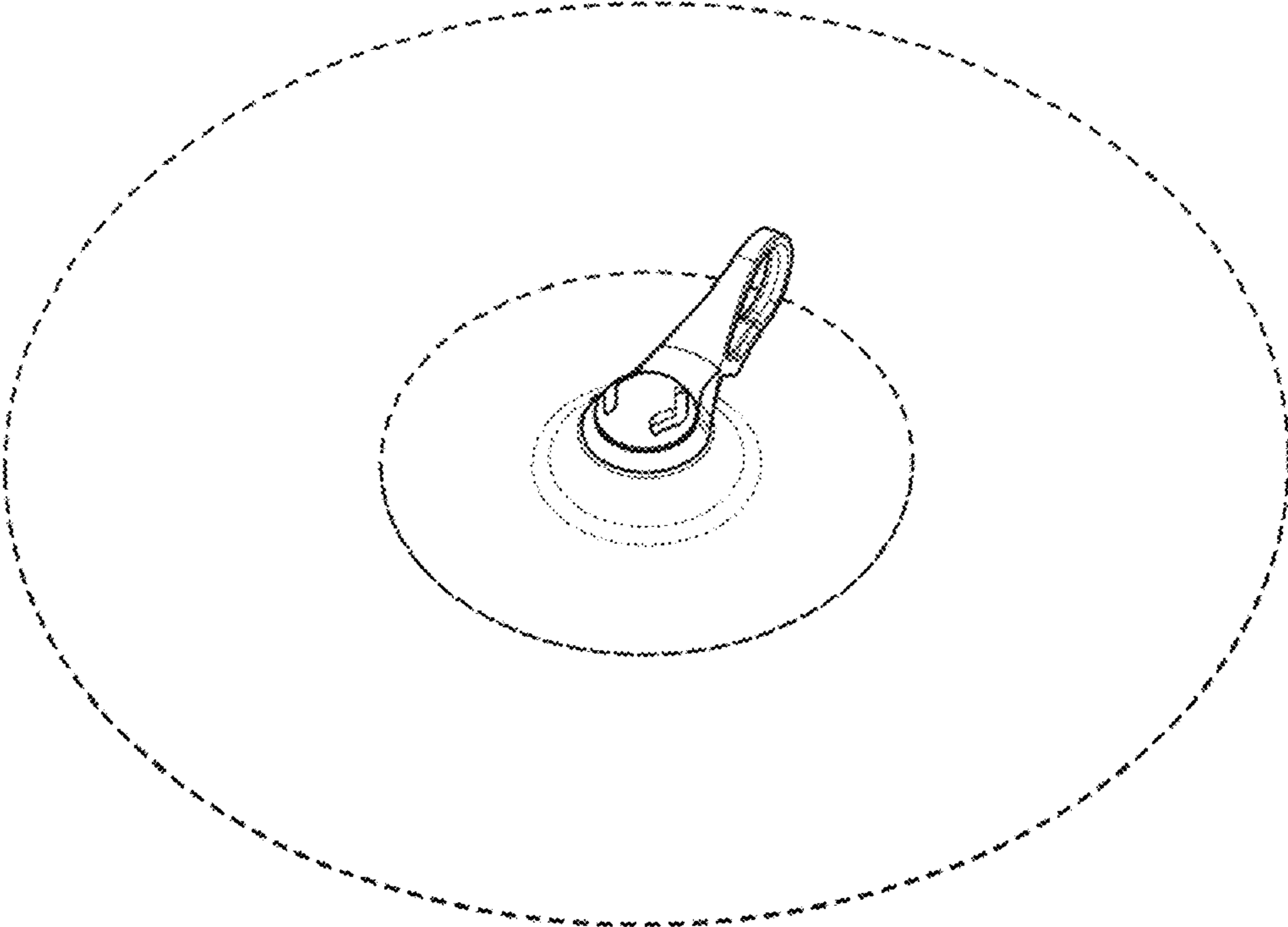


Fig. 7