



US00D749400S

(12) **United States Design Patent**  
**Bainbridge**

(10) **Patent No.:** **US D749,400 S**

(45) **Date of Patent:** **\*\* Feb. 16, 2016**

(54) **CORD LOCK WITH SCREW IN BASE  
FEATURE**

(71) Applicant: **James R. Bainbridge**, Marcellus, MI  
(US)

(72) Inventor: **James R. Bainbridge**, Marcellus, MI  
(US)

(\*\*) Term: **14 Years**

(21) Appl. No.: **29/522,256**

(22) Filed: **Mar. 30, 2015**

(51) **LOC (10) Cl.** ..... **08-05**

(52) **U.S. Cl.**  
USPC ..... **D8/356**

(58) **Field of Classification Search**  
USPC ..... D8/356, 354, 349, 367; D11/218;  
137/355.27  
CPC ..... F16B 1/00; F16B 2/20; Y10T 24/45199;  
B60N 2/26; F16G 1/00; H02G 3/24  
See application file for complete search history.

(56) **References Cited**

**U.S. PATENT DOCUMENTS**

D470,034 S *	2/2003	Wu	.....	D8/356
D473,448 S *	4/2003	Wu	.....	D8/356
D477,770 S *	7/2003	Baker	.....	D8/373
D488,372 S *	4/2004	Gambrell	.....	D8/356
D497,305 S *	10/2004	Perri	.....	D8/356

D512,904 S *	12/2005	Thaler	.....	D8/356
D576,406 S *	9/2008	Chan	.....	D3/318
D711,725 S *	8/2014	Bainbridge	.....	D8/356
D714,129 S *	9/2014	Bainbridge	.....	D8/356
D714,619 S *	10/2014	Bainbridge	.....	D8/356
D727,854 S *	4/2015	Chance	.....	D13/156
D729,177 S *	5/2015	Baldwin	.....	D13/155
D730,721 S *	6/2015	Degan	.....	D8/356
D731,874 S *	6/2015	Lin	.....	D8/349
D738,197 S *	9/2015	Schaffert	.....	D8/366
D741,150 S *	10/2015	Bainbridge	.....	D8/356

\* cited by examiner

*Primary Examiner* — Cynthia Underwood

(74) *Attorney, Agent, or Firm* — Flynn, Thiel, Boutell & Tanis, P.C.

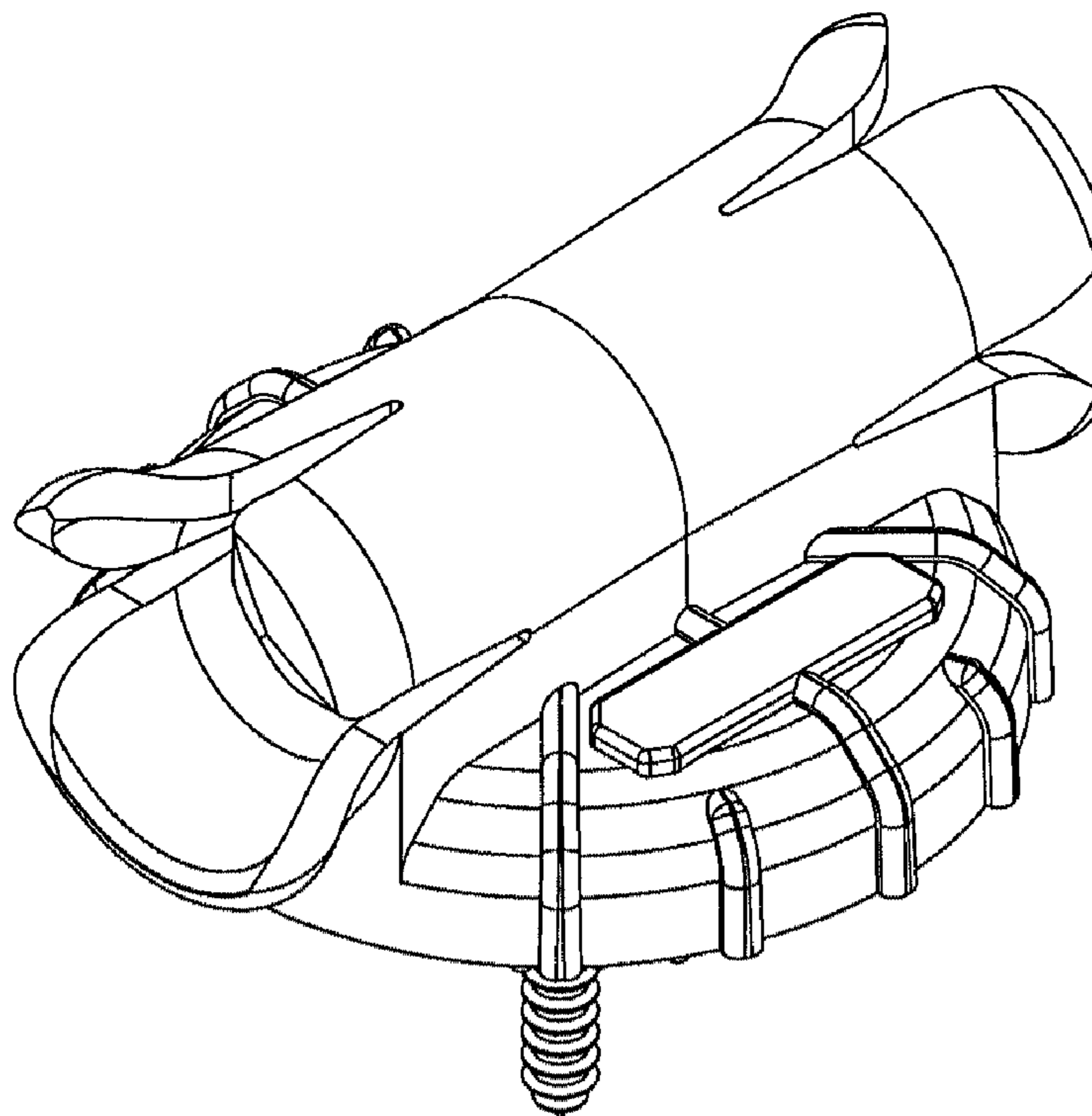
(57) **CLAIM**

The ornamental design for a cord lock with screw in base feature, as shown and described.

**DESCRIPTION**

FIG. 1 is a front, right side isometric top view of the cord lock with screw in base feature embodying my new design; FIG. 2 is a top view thereof; FIG. 3 is a front view thereof, the rear view being a mirror image thereof; FIG. 4 is a right side view thereof, the left side view being a mirror image thereof; FIG. 5 is a bottom view thereof; and, FIG. 6 is a front, left side isometric bottom view thereof.

**1 Claim, 3 Drawing Sheets**



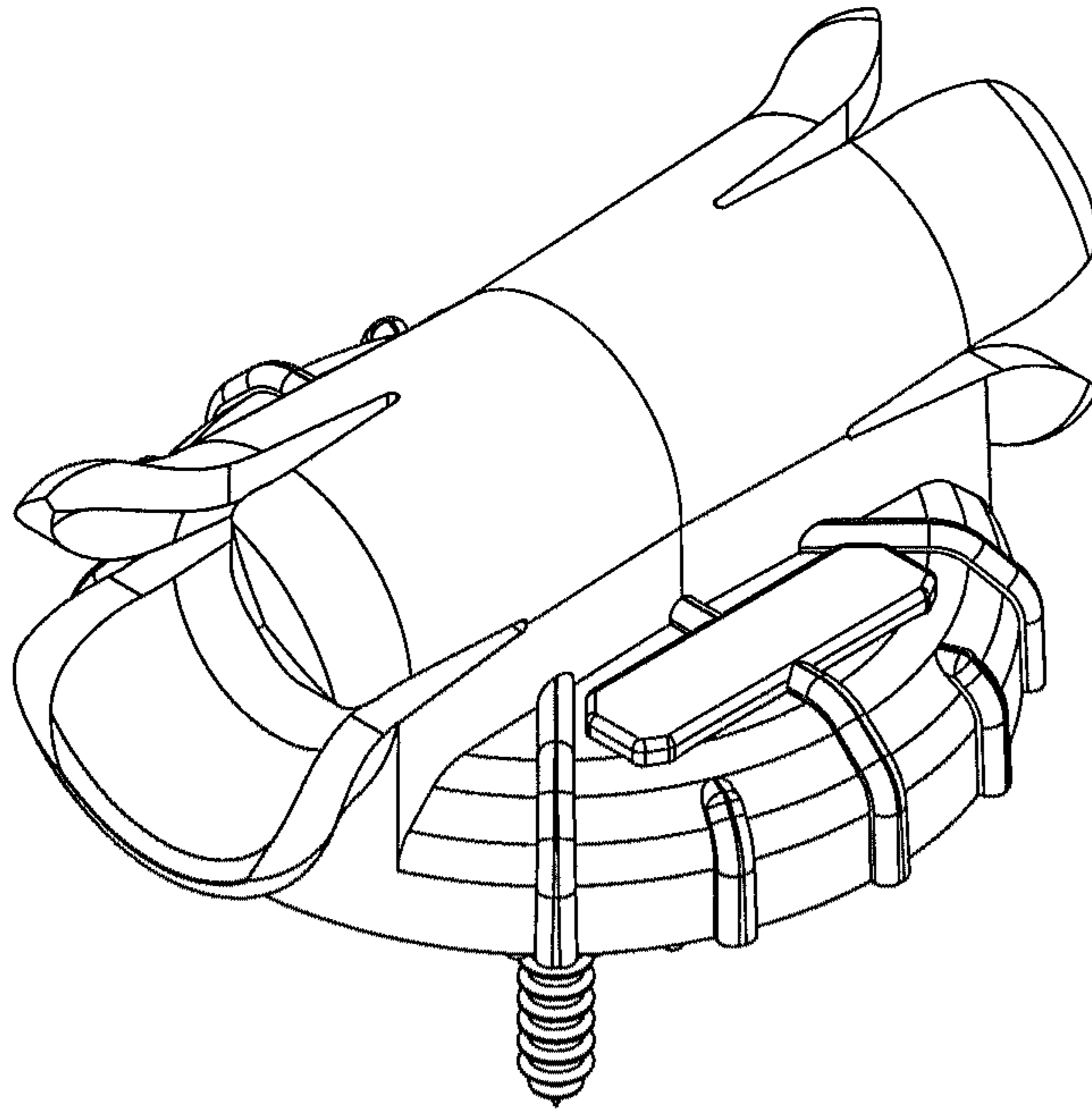


FIG. 1

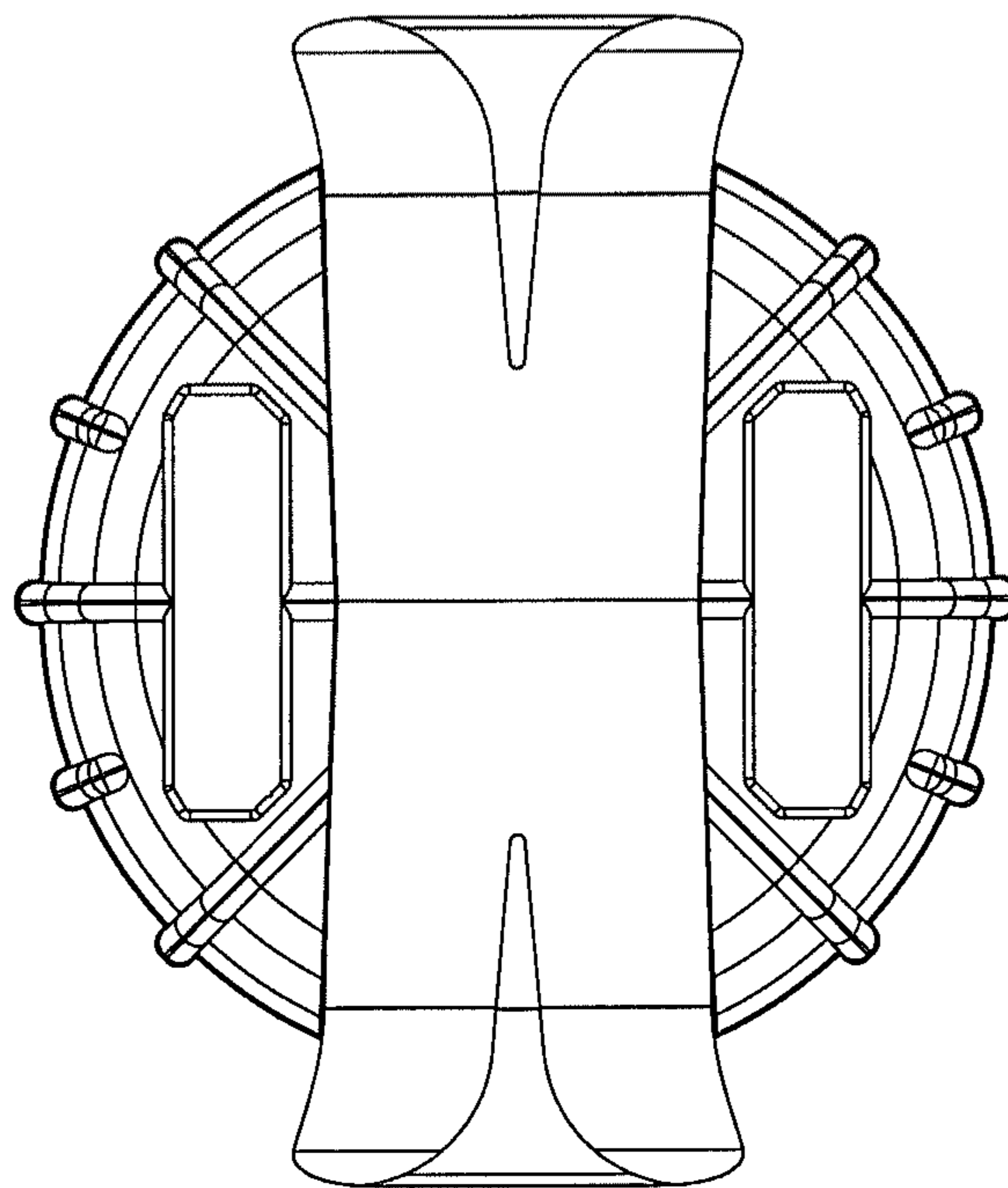


FIG. 2

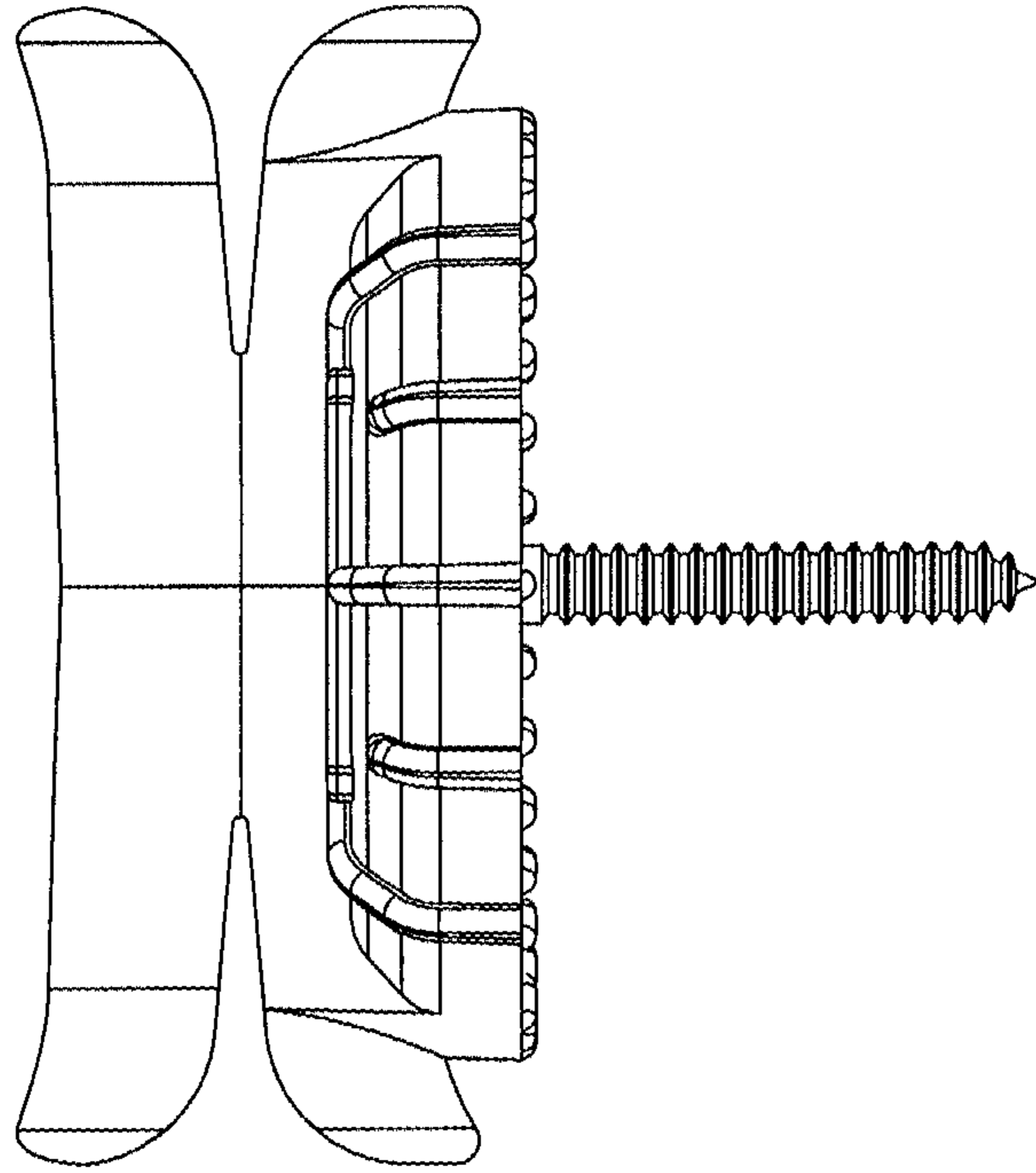


FIG. 4

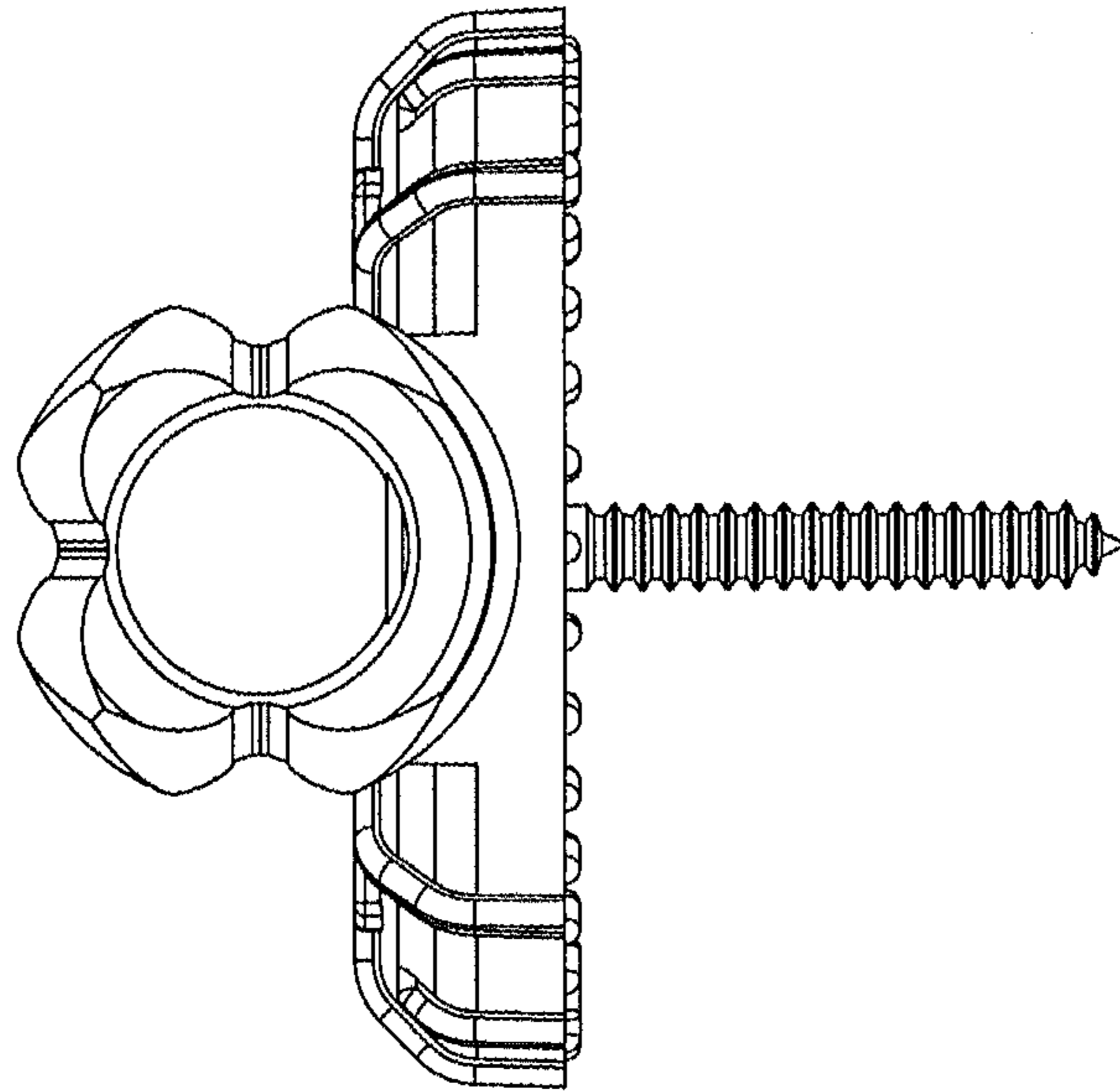


FIG. 3

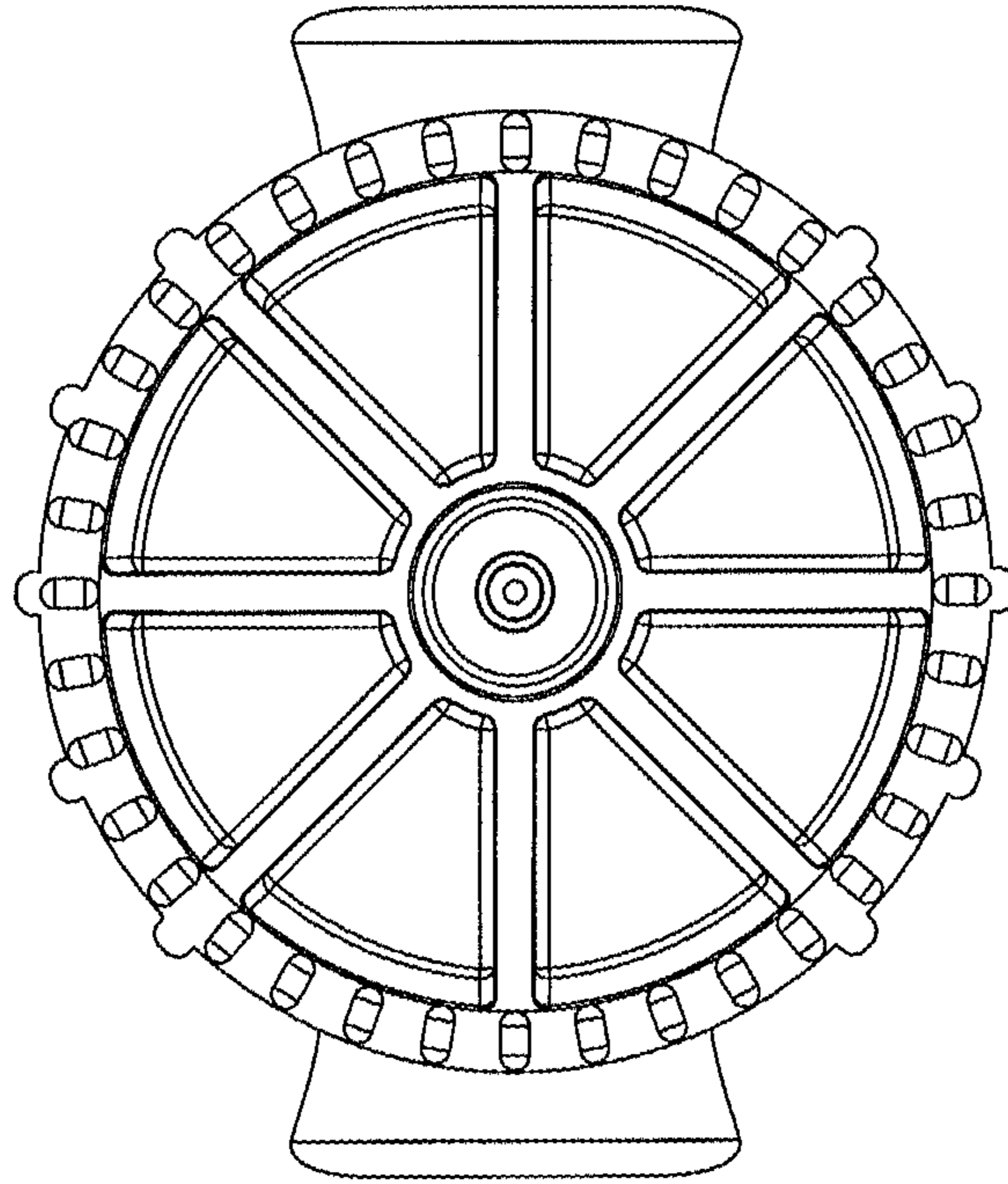


FIG. 5

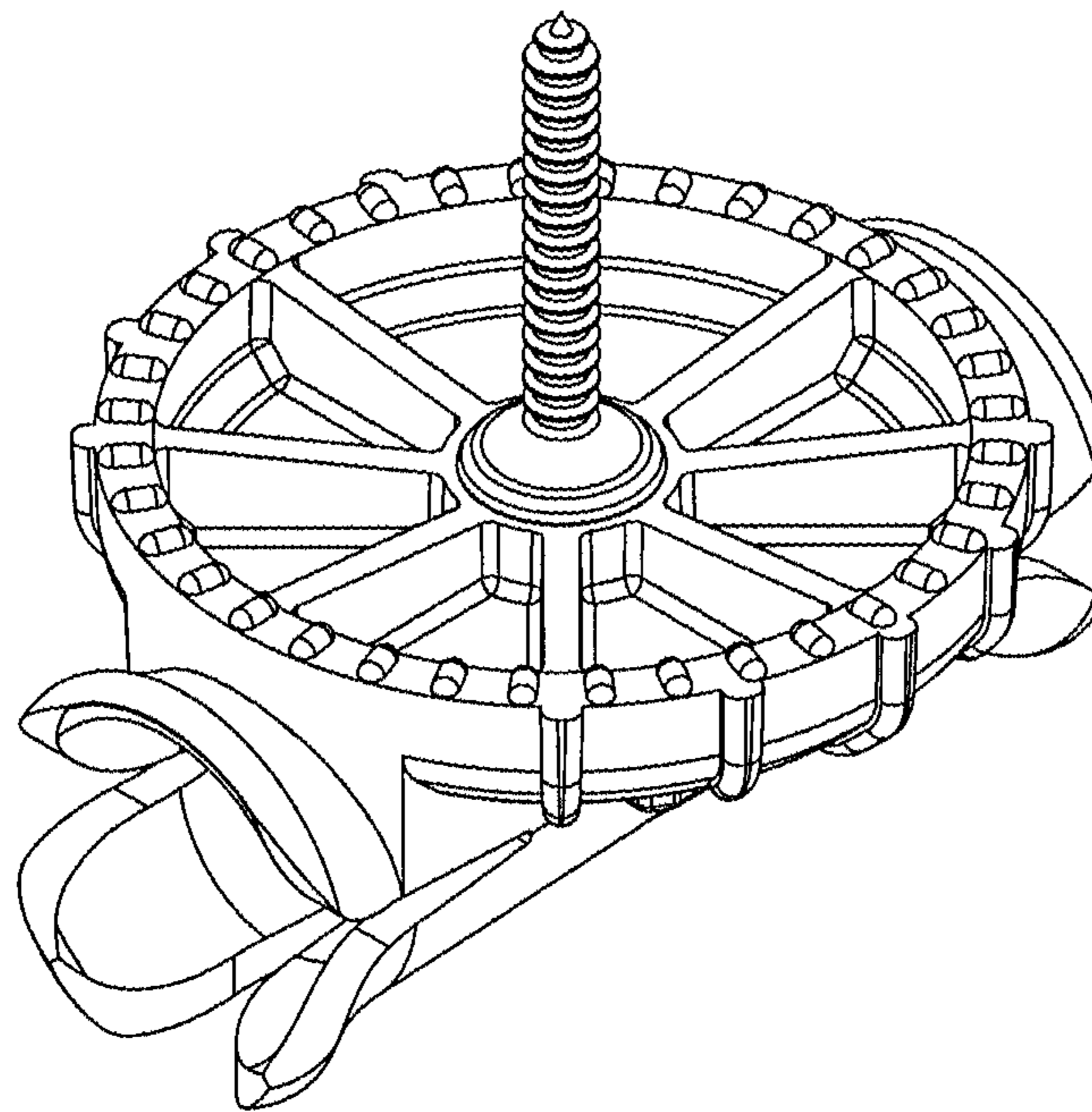


FIG. 6