



US00D749397S

(12) **United States Design Patent**  
**Rohde et al.**

(10) **Patent No.:** **US D749,397 S**  
(45) **Date of Patent:** **\*\* Feb. 16, 2016**

- (54) **VALVE LOCKOUT DEVICE**
- (71) Applicant: **Brady Worldwide, Inc.**, Milwaukee, WI (US)
- (72) Inventors: **Christopher J. Rohde**, West Allis, WI (US); **Jonathan Mantes**, Milwaukee, WI (US)
- (73) Assignee: **BRADY WORLDWIDE, INC.**, Milwaukee, WI (US)
- (\*\*) Term: **14 Years**
- (21) Appl. No.: **29/510,336**
- (22) Filed: **Nov. 26, 2014**
- (51) **LOC (10) Cl.** ..... **08-07**
- (52) **U.S. Cl.**  
USPC ..... **D8/331**
- (58) **Field of Classification Search**  
USPC ..... D8/330, 331, 333, 338, 343–345, 349, D8/382, 394; 70/174–180, 6, 51, 52, 57, 70/57.1, 202, 224, 333 R, 431, 465; D23/233, 259, 249, 235; 292/256, 281; 251/77, 78, 304–308, 318, 339, 340, 251/342, 356, 900–904  
CPC ..... F16K 47/08; F16K 35/00; F16K 35/10; F16K 35/06; G05G 5/00  
See application file for complete search history.

- D344,574 S \* 2/1994 Brown ..... 137/385
- 5,360,036 A \* 11/1994 Kieper ..... F16K 5/0605  
137/315.18
- D358,455 S \* 5/1995 Kieper ..... D23/249
- 5,806,555 A \* 9/1998 Magno, Jr. .... E05B 13/00  
137/385
- 6,148,851 A \* 11/2000 Friedline ..... F16K 35/025  
137/385
- 6,152,161 A \* 11/2000 Yokota ..... F16K 35/10  
137/38
- 7,207,198 B2 \* 4/2007 Benda ..... F16K 35/10  
137/385
- D564,338 S \* 3/2008 Lu ..... D8/331
- 7,478,646 B2 \* 1/2009 Borrenpohl ..... F16K 27/07  
137/377
- D667,286 S \* 9/2012 Wu ..... D8/330

\* cited by examiner

*Primary Examiner* — Prabhakar Deshmukh  
(74) *Attorney, Agent, or Firm* — Quarles & Brady LLP

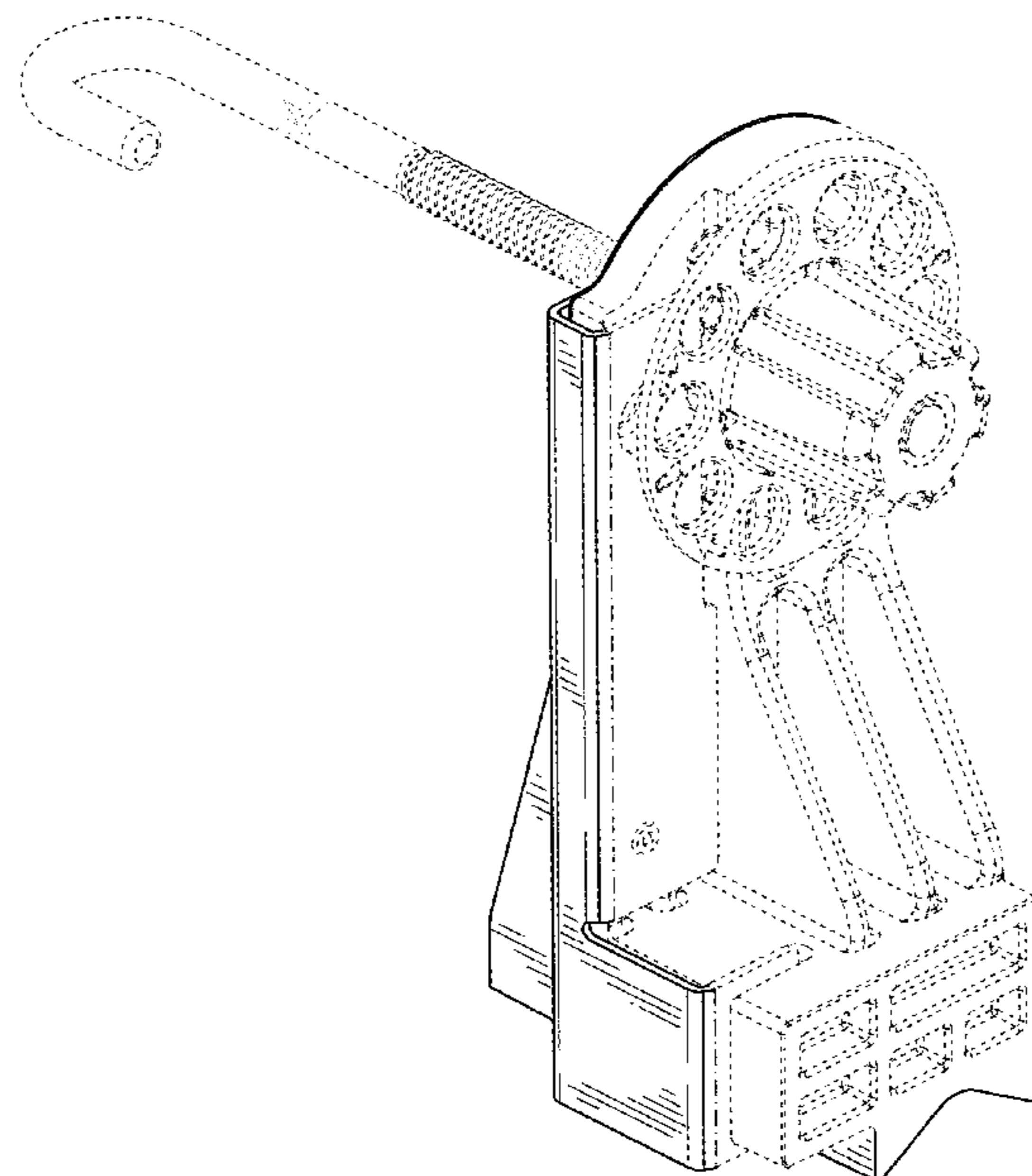
(57) **CLAIM**  
The ornamental design for a valve lockout device, as shown and described.

**DESCRIPTION**

FIG. 1 is a front perspective view of a valve lockout device showing our new design;  
FIG. 2 is a rear perspective view thereof;  
FIG. 3 is a front elevational view thereof;  
FIG. 4 is a rear elevational view thereof;  
FIG. 5 is a top plan view thereof;  
FIG. 6 is a bottom plan view thereof;  
FIG. 7 is a right side elevational view thereof; and,  
FIG. 8 is a left side elevational view thereof.  
The dash-dash broken lines represent unclaimed environment and from no part of the claimed design.

**1 Claim, 5 Drawing Sheets**

- (56) **References Cited**  
U.S. PATENT DOCUMENTS
- 3,960,168 A \* 6/1976 Plympton ..... F16K 35/10  
137/385
- 4,872,327 A \* 10/1989 Wagner ..... E05B 67/383  
137/385
- 5,115,834 A \* 5/1992 Champagne ..... F16K 35/06  
137/385



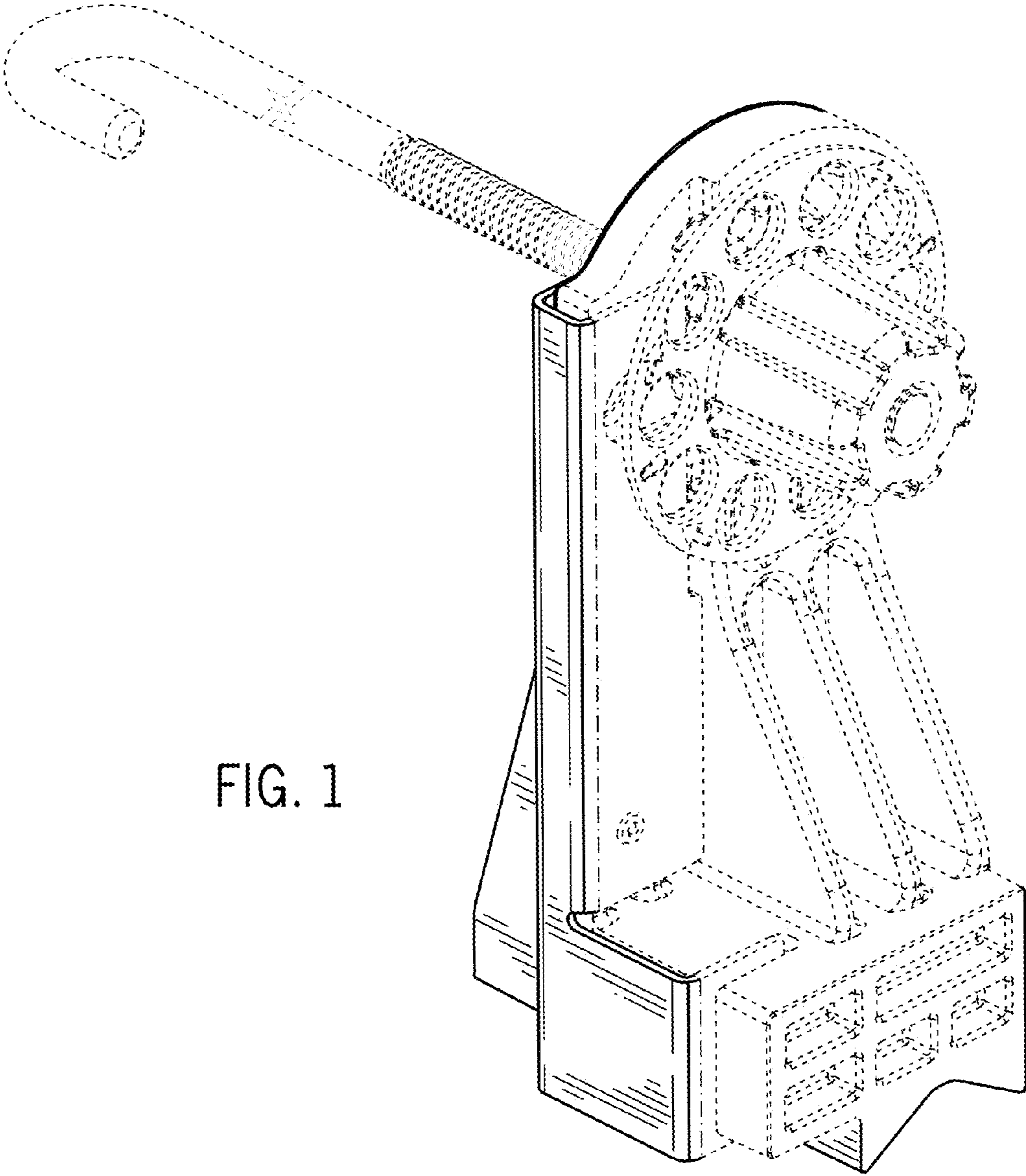


FIG. 1

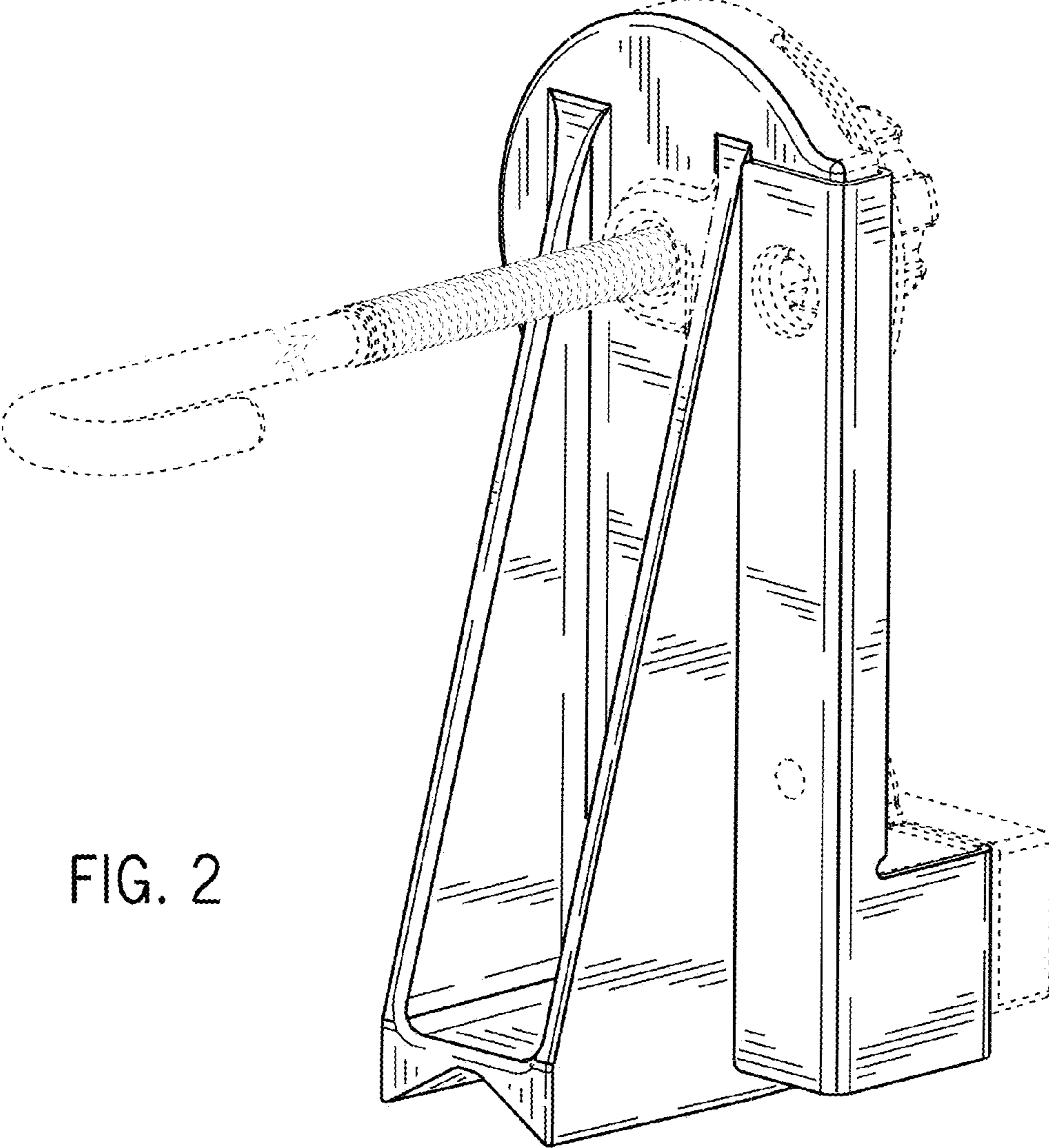


FIG. 2

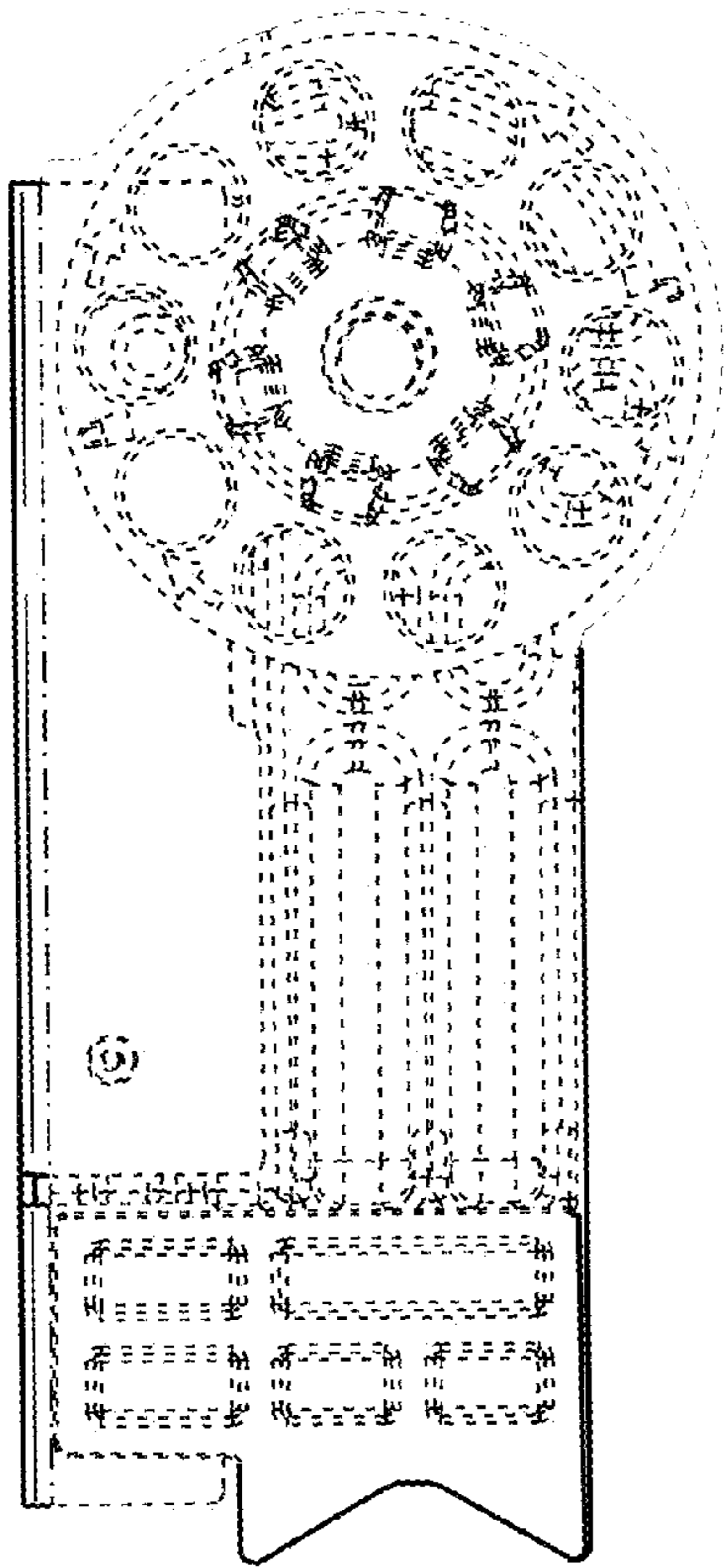


FIG. 3

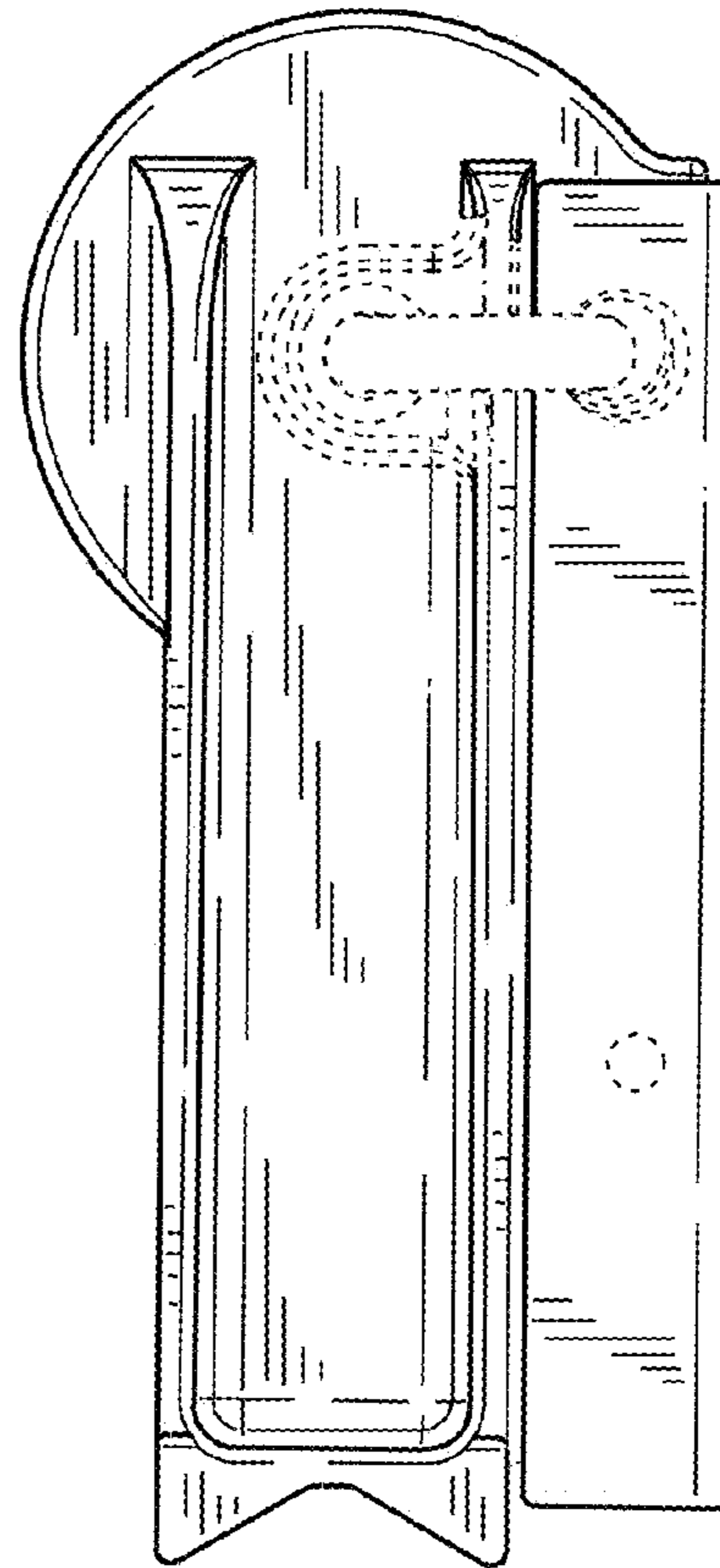


FIG. 4

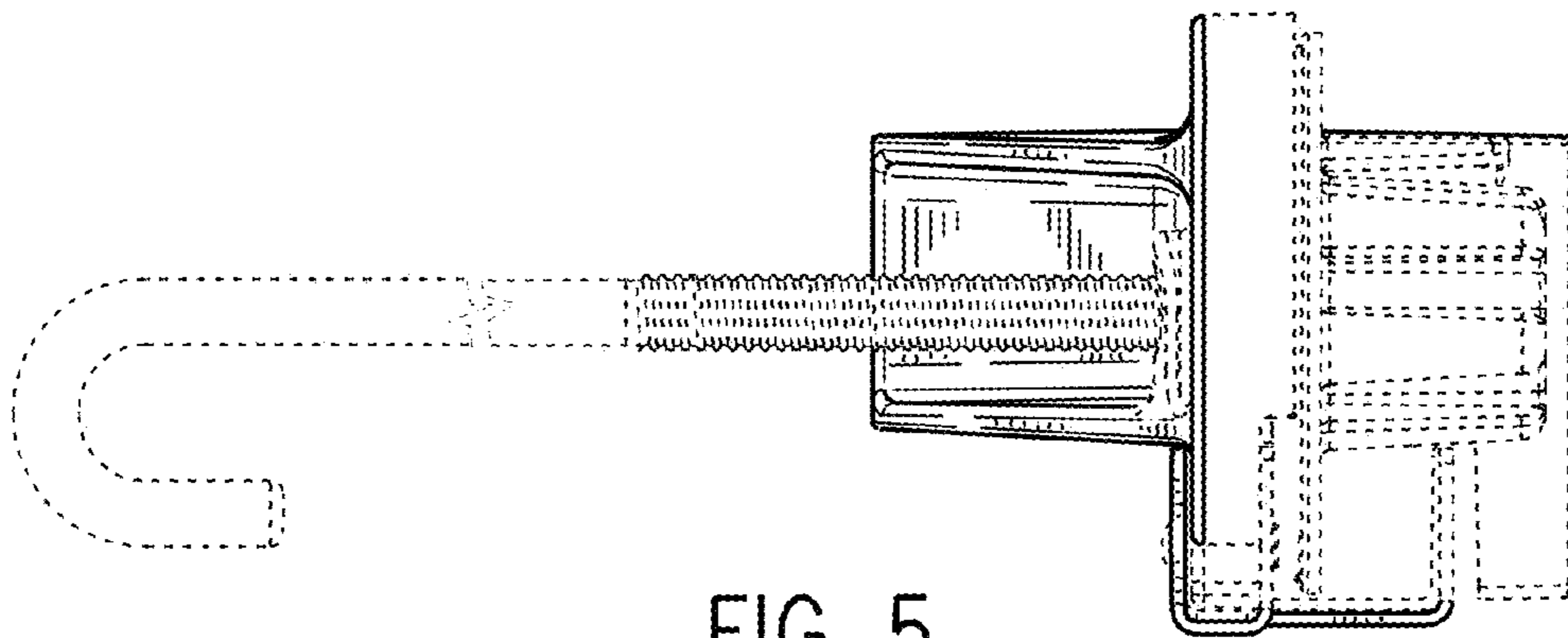


FIG. 5

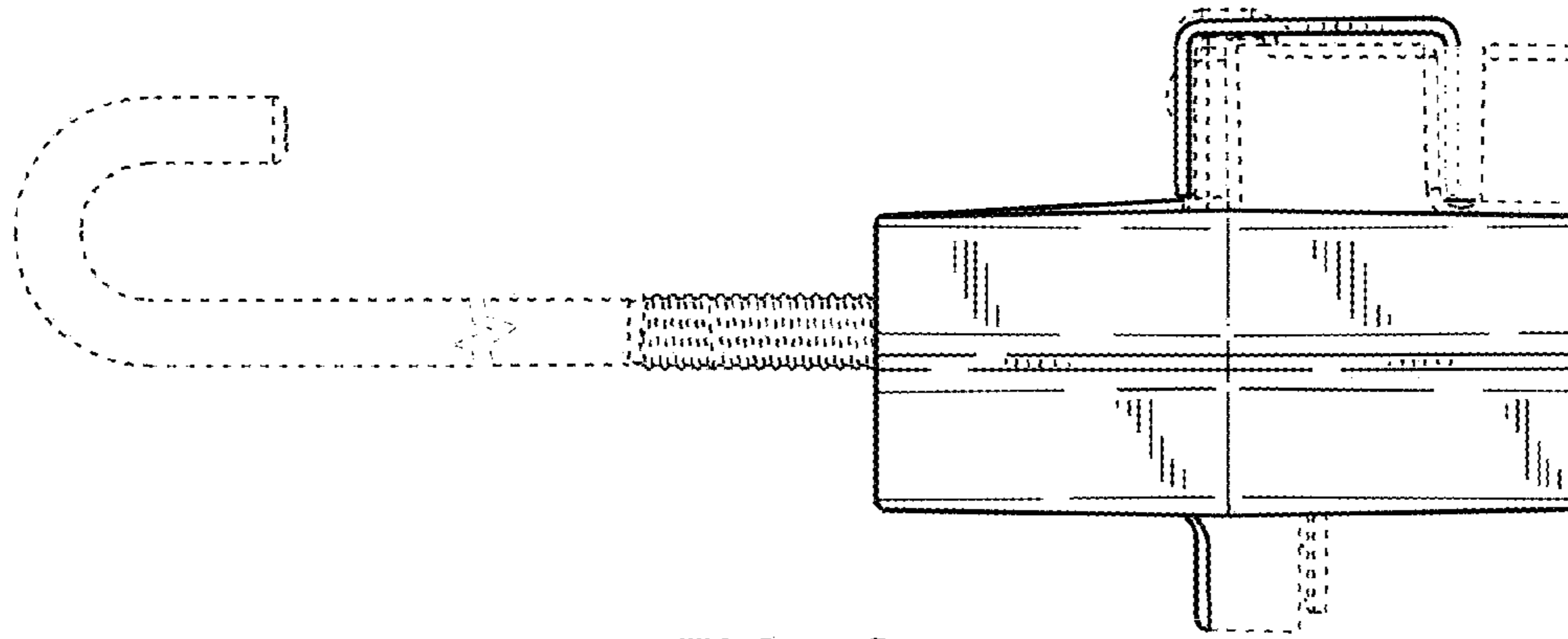


FIG. 6

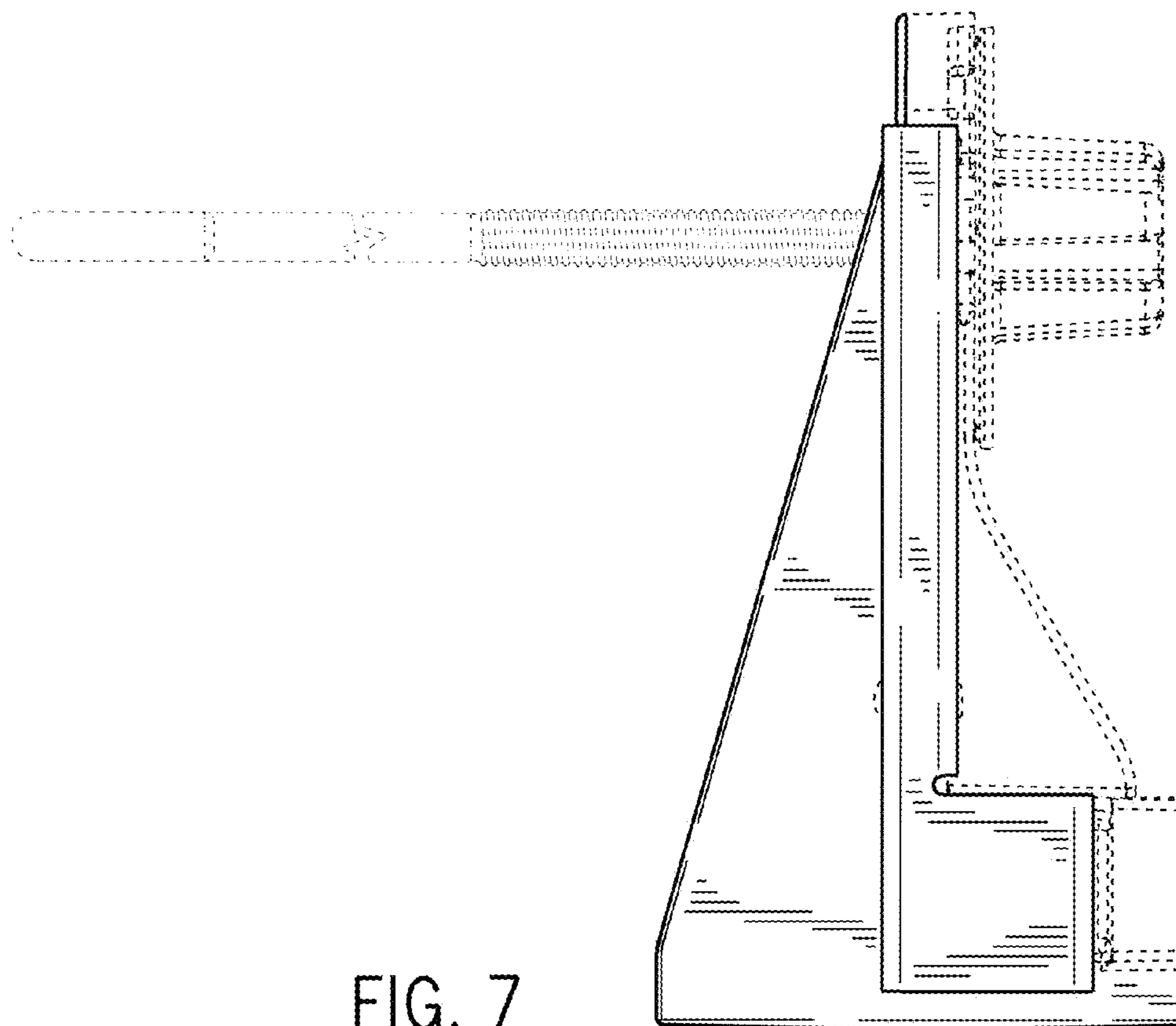


FIG. 7

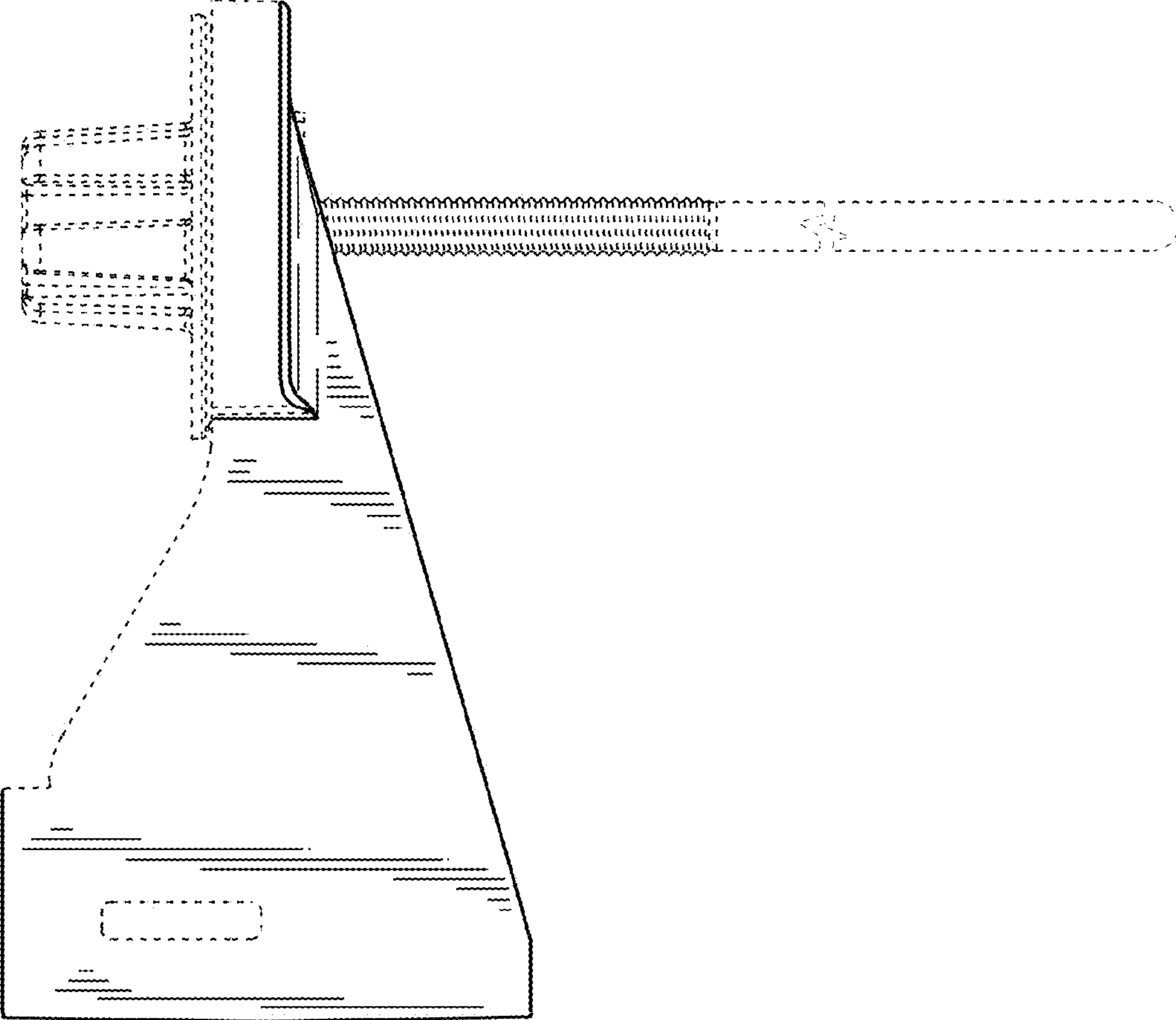


FIG. 8