



US00D749396S

(12) **United States Design Patent**  
**Alfredsson**

(10) **Patent No.:** **US D749,396 S**

(45) **Date of Patent:** **\*\* Feb. 16, 2016**

(54) **PADDLE LATCH**

(71) Applicant: **Industrilås i Nässjö Aktiebolag, Nässjö (SE)**

(72) Inventor: **Bengt-Åke Alfredsson, Bodafors (SE)**

(73) Assignee: **Industrilås i Nässjö Aktiebolag, Nässjö (SE)**

(\*\*) Term: **14 Years**

(21) Appl. No.: **29/494,646**

(22) Filed: **Jun. 23, 2014**

(30) **Foreign Application Priority Data**

Jan. 14, 2014 (EM) ..... 002384081-0003

(51) **LOC (10) Cl.** ..... **08-07**

(52) **U.S. Cl.**  
USPC ..... **D8/331**

(58) **Field of Classification Search**  
USPC ..... D8/330, 331, 335, 339, 302, 343;  
70/141, 208; 292/336.3, 169, 358, 359,  
292/170, 175, 165, 224, 140-145, 240-242,  
292/DIG. 14, DIG. 30, DIG. 31, DIG. 4  
CPC ..... E05C 1/12; E05C 1/02; E05C 3/12;  
E05C 3/08; E05C 19/00; E05B 3/00  
See application file for complete search history.

(56) **References Cited**

**U.S. PATENT DOCUMENTS**

4,911,487 A \* 3/1990 Rachoeki ..... 292/216  
5,042,253 A \* 8/1991 Kataoka ..... 60/560  
D383,664 S \* 9/1997 Bennett ..... D8/331

5,927,773 A \* 7/1999 Larsen et al. .... 292/337  
5,983,682 A \* 11/1999 Parikh ..... 70/208  
D536,235 S \* 2/2007 Vickers et al. .... D8/331  
D542,624 S \* 5/2007 Vickers et al. .... D8/331  
7,497,488 B2 \* 3/2009 Chen ..... 292/216  
7,823,937 B2 \* 11/2010 Vitry ..... 292/336.3  
D638,276 S \* 5/2011 Tonizzo et al. .... D8/331  
D654,779 S \* 2/2012 Matre ..... D8/356  
D656,383 S \* 3/2012 Matre ..... D8/331  
8,136,850 B2 \* 3/2012 Wollacott et al. .... 292/173

\* cited by examiner

*Primary Examiner* — Prabhakar Deshmukh

(74) *Attorney, Agent, or Firm* — Michael G. Johnston;  
Moore & Van Allen PLLC

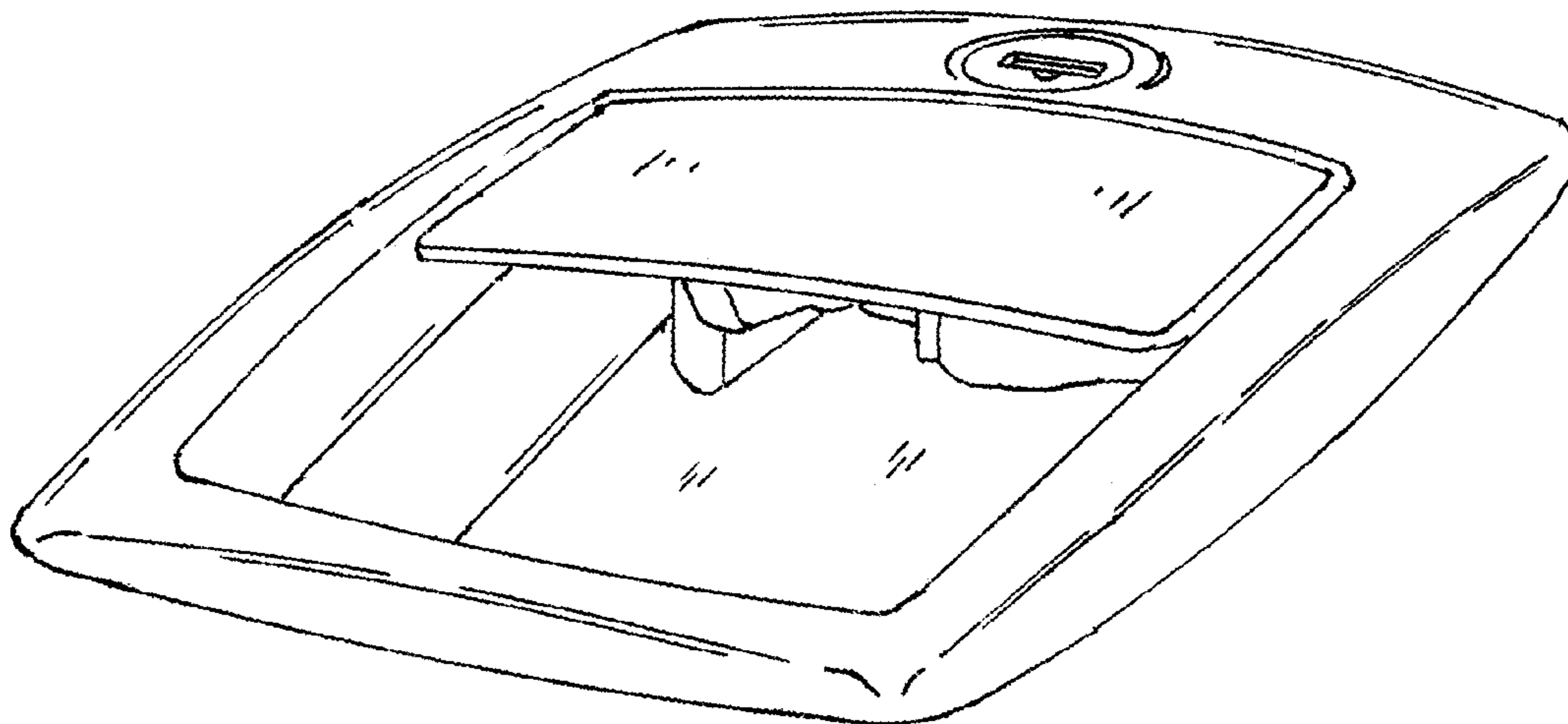
(57) **CLAIM**

The ornamental design for a paddle latch, as shown and described.

**DESCRIPTION**

FIG. 1 is a front perspective view of a paddle latch showing my new design;  
FIG. 2 is a front perspective view thereof, shown in alternate position;  
FIG. 3 is a rear perspective view thereof;  
FIG. 4 is a rear perspective view thereof, shown in alternate position;  
FIG. 5 is a top plan view thereof;  
FIG. 6 is a bottom plan view thereof;  
FIG. 7 is a front elevational view thereof;  
FIG. 8 is a rear elevational view thereof;  
FIG. 9 is a right side elevational view thereof; and,  
FIG. 10 is left side elevational view thereof.  
The broken lines indicate unclaimed bottom and forms no part of the claimed design.

**1 Claim, 4 Drawing Sheets**



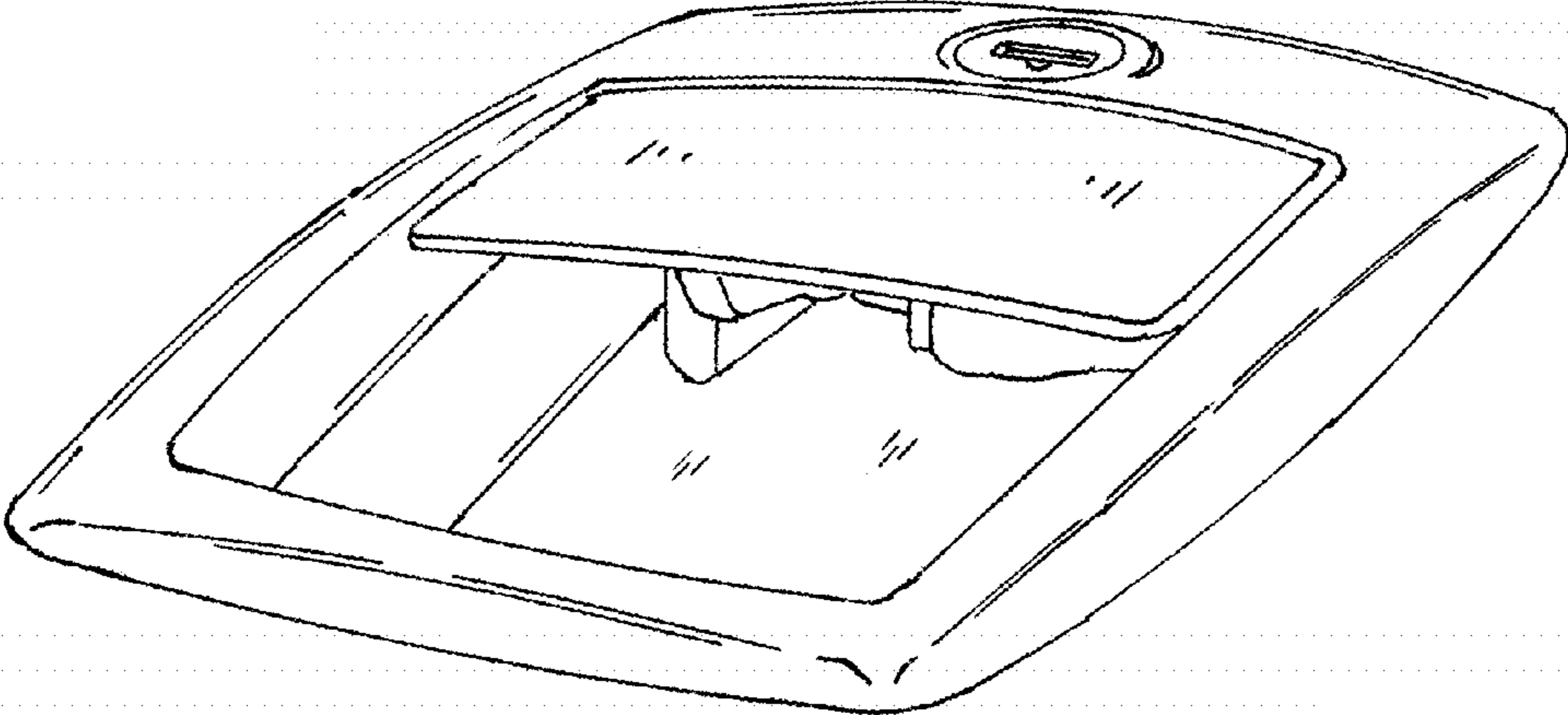


FIG. 1

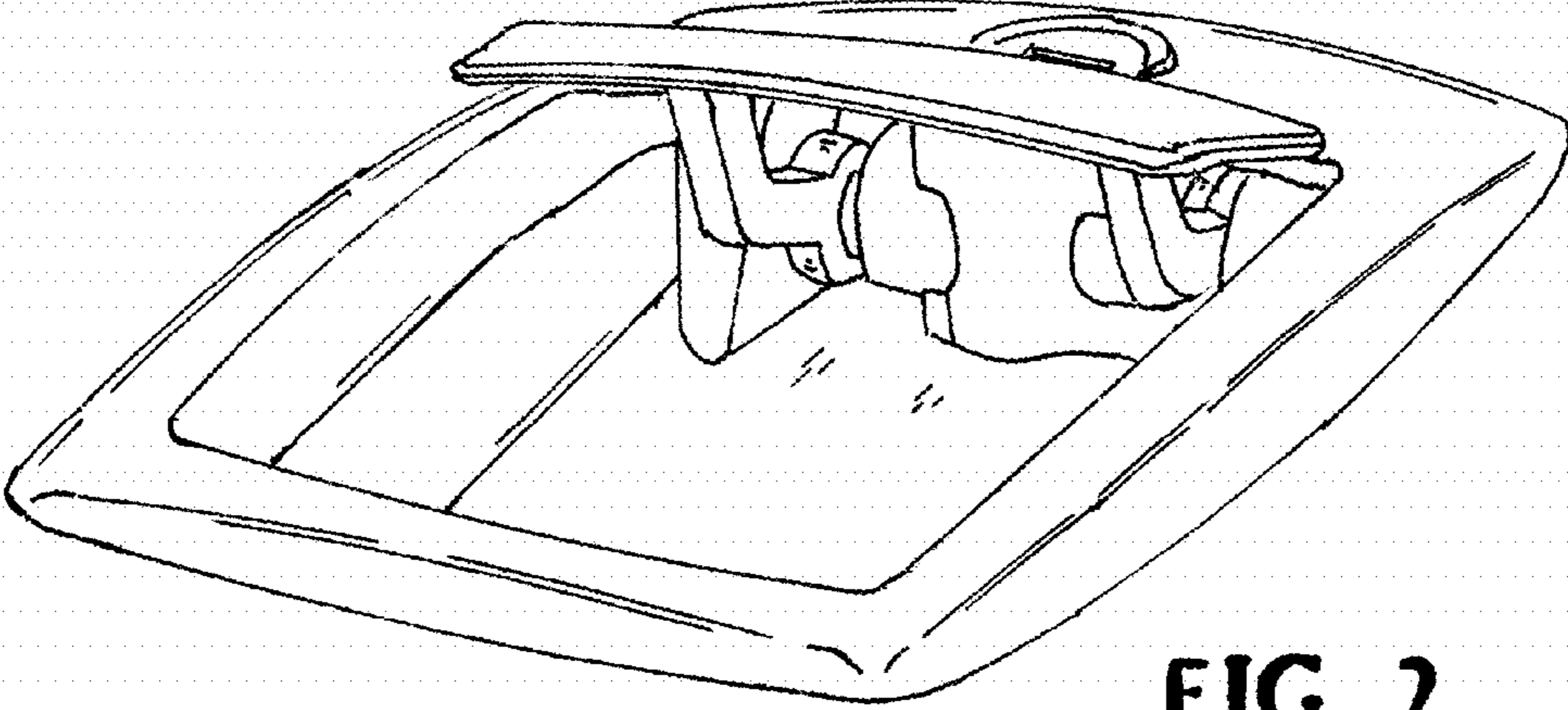
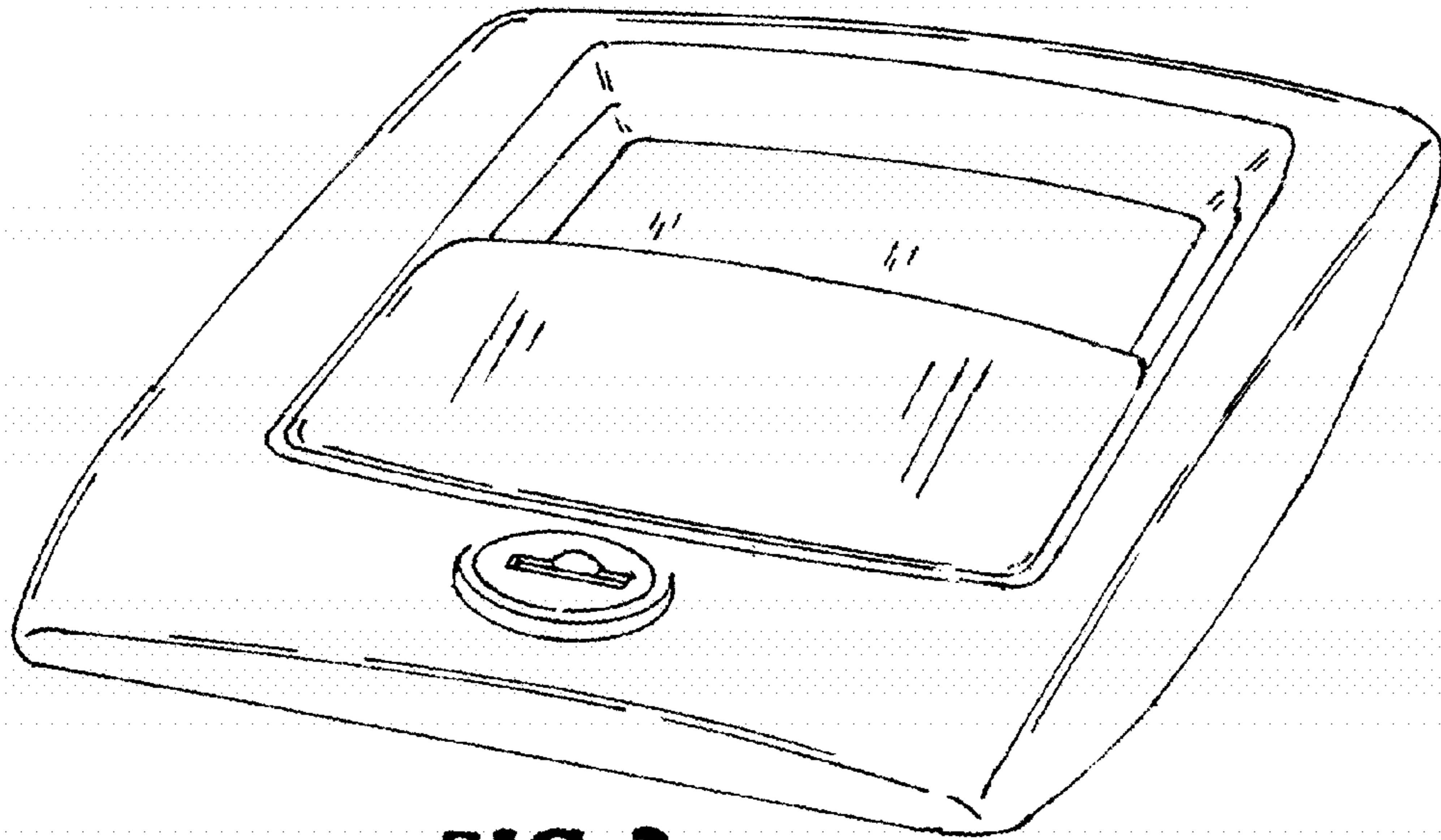
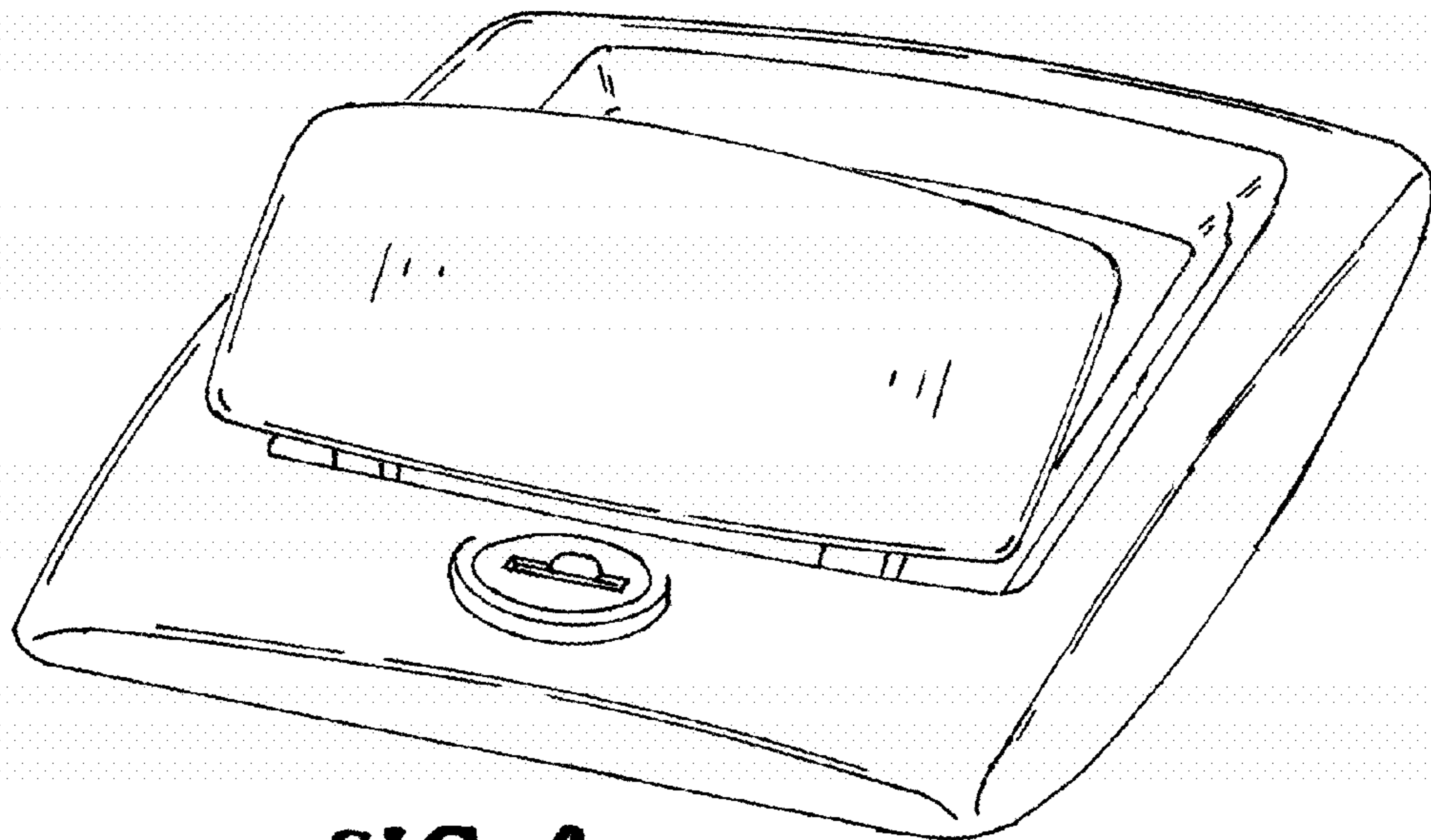


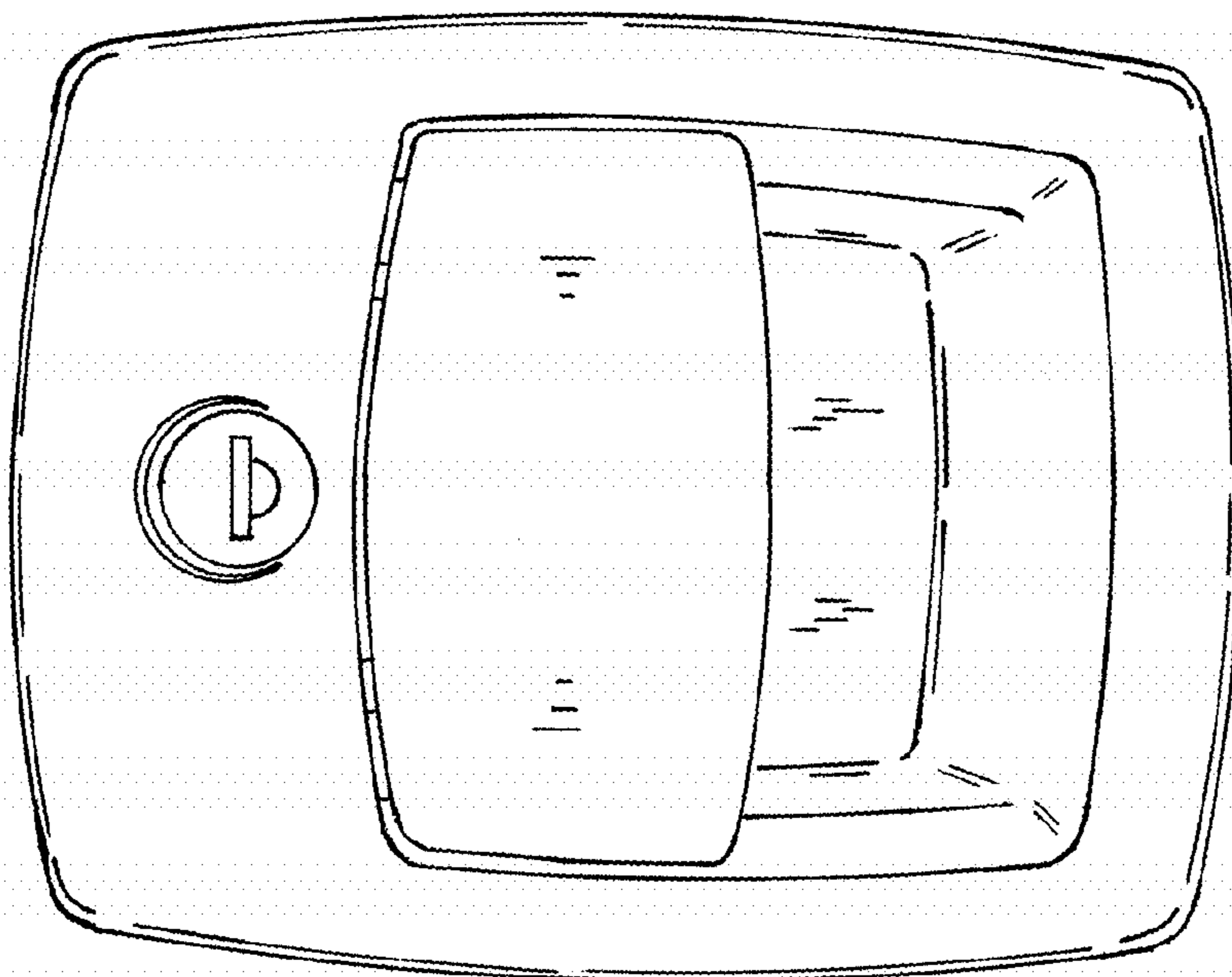
FIG. 2



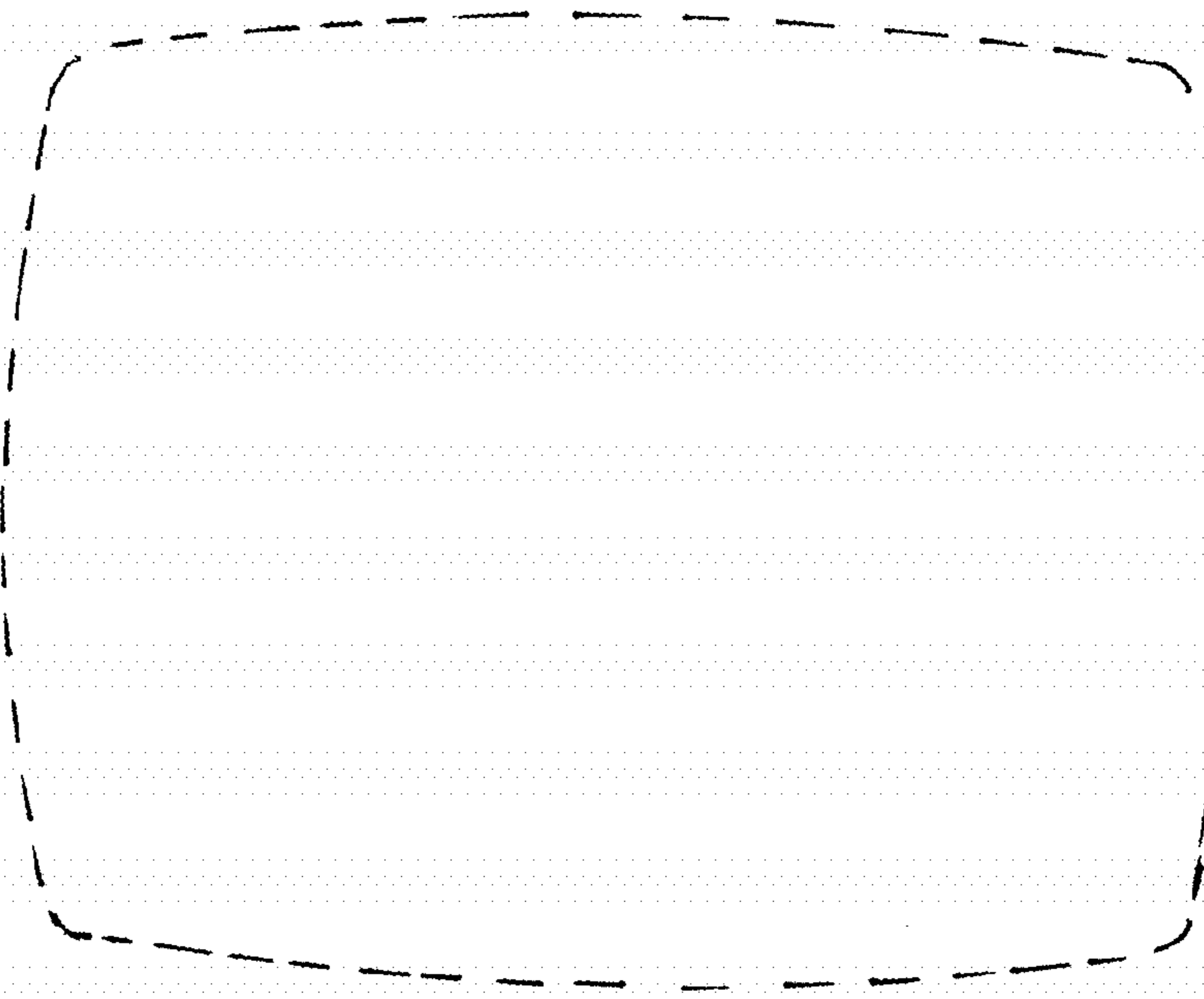
**FIG. 3**



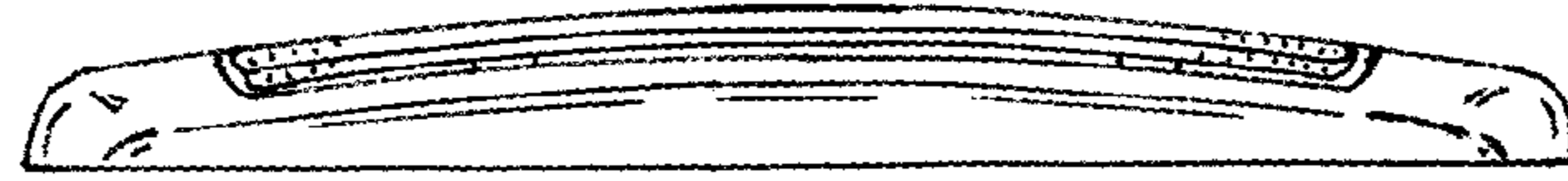
**FIG. 4**



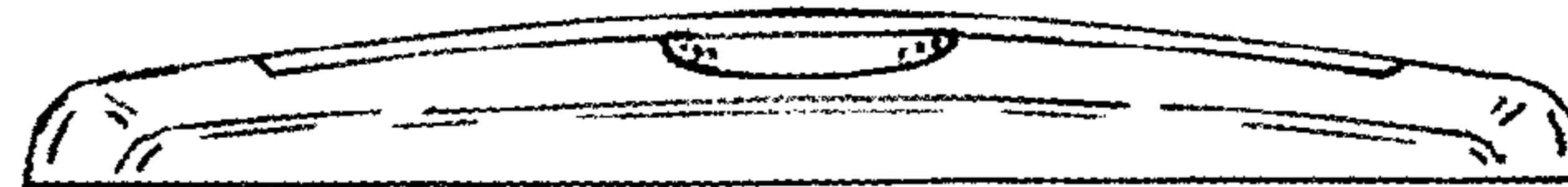
**FIG. 5**



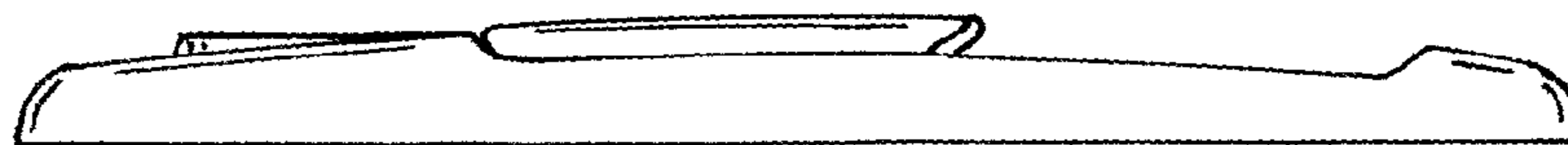
**FIG. 6**



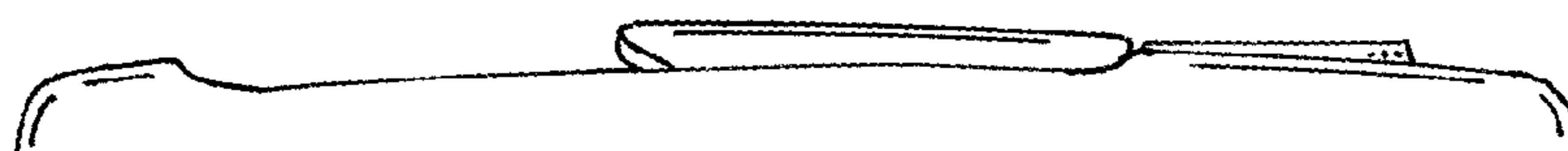
**FIG. 7**



**FIG. 8**



**FIG. 9**



**FIG. 10**