



US00D749393S

(12) **United States Design Patent**
Lee et al.

(10) **Patent No.:** **US D749,393 S**
(45) **Date of Patent:** **** Feb. 16, 2016**

(54) **HANDLE FOR REFRIGERATOR**

Y10T 16/4628; Y10T 74/20864; Y10T
16/4567; Y10T 16/4576; Y10T 16/501;
Y10T 16/86

(71) Applicant: **Samsung Electronics Co., Ltd.**,
Suwon-si (KR)

See application file for complete search history.

(72) Inventors: **Sun-Min Lee**, Seoul (KR); **Jang-Won Kim**, Seoul (KR); **Yoon-Jung Choi**, Seoul (KR); **Young-Min Park**, Seoul (KR); **Ae-Ryun Kim**, Seoul (KR)

(56) **References Cited**

U.S. PATENT DOCUMENTS

(73) Assignee: **SAMSUNG ELECTRONICS CO., LTD.** (KR)

4,922,576	A	*	5/1990	Weidner et al.	16/413
D450,212	S	*	11/2001	Gottwald	D6/549
D543,321	S	*	5/2007	Jeon et al.	D32/2
D567,262	S	*	4/2008	Crookshanks	D15/91
D568,100	S	*	5/2008	Jeon	D7/402
D579,468	S	*	10/2008	Yang et al.	D15/85
D588,172	S	*	3/2009	Yang et al.	D15/89
D606,839	S	*	12/2009	Urquiola	D8/316
D610,173	S	*	2/2010	Kim	D15/89
D612,677	S	*	3/2010	Jeon	D7/402
D613,314	S	*	4/2010	Staud	D15/81
2014/0304944	A1	*	10/2014	Carr et al.	16/110.1

(**) Term: **14 Years**

(21) Appl. No.: **29/451,817**

(22) Filed: **Apr. 9, 2013**

* cited by examiner

(30) **Foreign Application Priority Data**

Oct. 10, 2012 (KR) 30-2012-0048183

(51) **LOC (10) Cl.** **08-06**

(52) **U.S. Cl.**
USPC **D8/316; D15/89**

(58) **Field of Classification Search**
USPC D8/300, 315-320, DIG. 1; D23/250,
D23/254, 303-305; D99/11; D6/546, 549;
D7/393, 394, 402; 211/16; 16/110.1,
16/412, 413, 415, 419, 422, 424, 425,
16/DIG. 19; D15/79, 81, 85, 89; 62/3.6,
62/246, 248; 312/116, 117, 120, 136,
312/138.1, 140, 401, 402, 404, 405, 408,
312/410

CPC Y10T 16/469; Y10T 16/44; Y10T 16/458;
Y10T 16/498; Y10T 16/476; Y10T 16/459;
Y10T 16/466; Y10T 16/4713; Y10T 16/4644;
Y10T 16/513; Y10T 16/509; Y10T 16/473;
Y10T 16/462; Y10T 16/4701; Y10T
74/20732; Y10T 29/49826; Y10T 16/4719;
Y10T 16/455; Y10T 16/4559; Y10T
74/20828; Y10T 74/20738; Y10T 74/20762;

Primary Examiner — Derrick Holland

Assistant Examiner — Lauren Calve

(74) *Attorney, Agent, or Firm* — Cantor Colburn LLP

(57) **CLAIM**

The ornamental design for a handle for refrigerator, as shown and described.

DESCRIPTION

FIG. 1 is a perspective view of a handle for refrigerator showing our new design;
FIG. 2 is a front view thereof;
FIG. 3 is a rear view thereof;
FIG. 4 is a left side view thereof;
FIG. 5 is a right side view thereof;
FIG. 6 is a top plan view thereof; and,
FIG. 7 is a bottom plan view thereof.
The broken lines shown represent unclaimed subject matter and form no part of the claimed design.

1 Claim, 7 Drawing Sheets

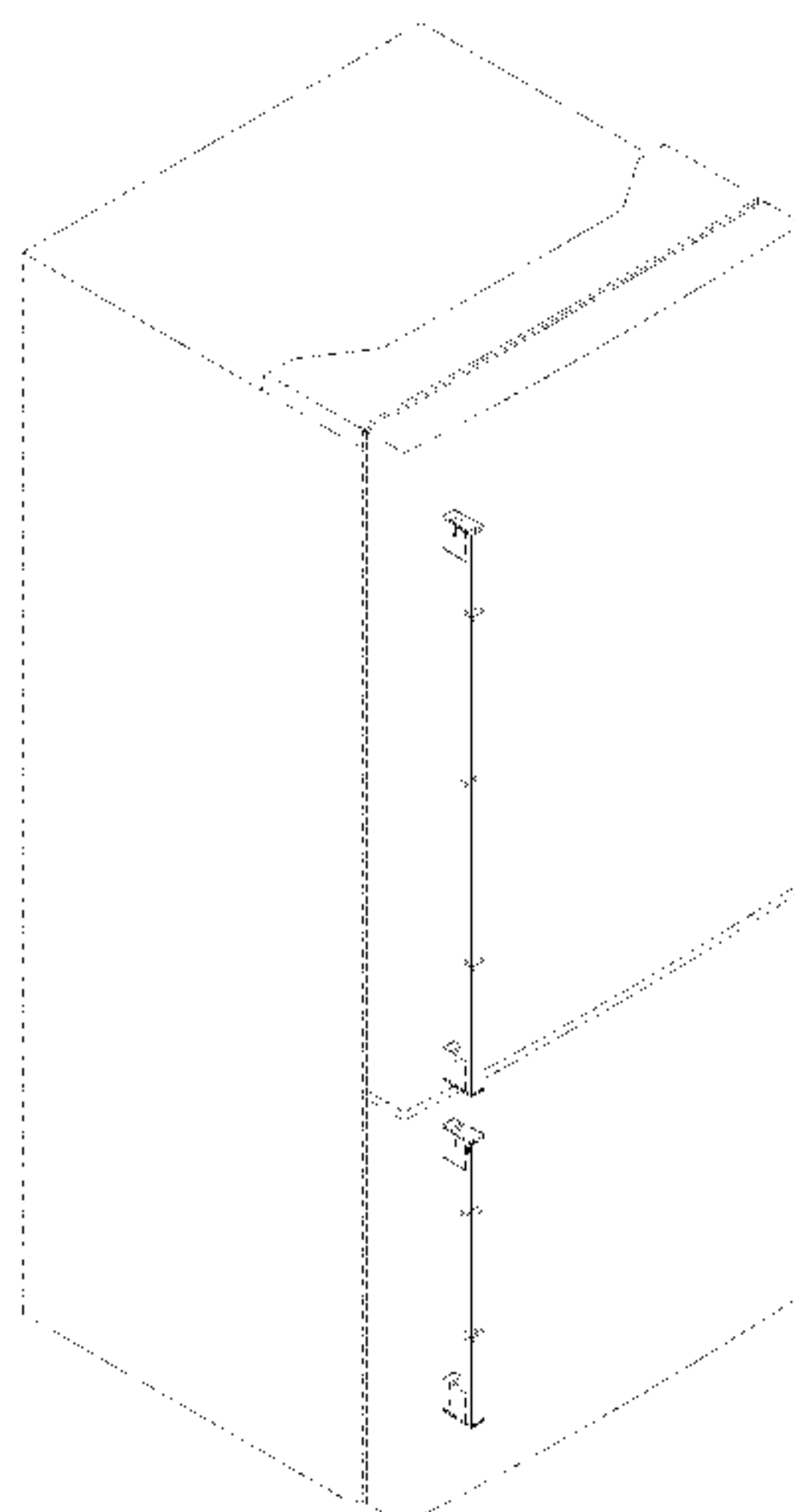


FIG. 1

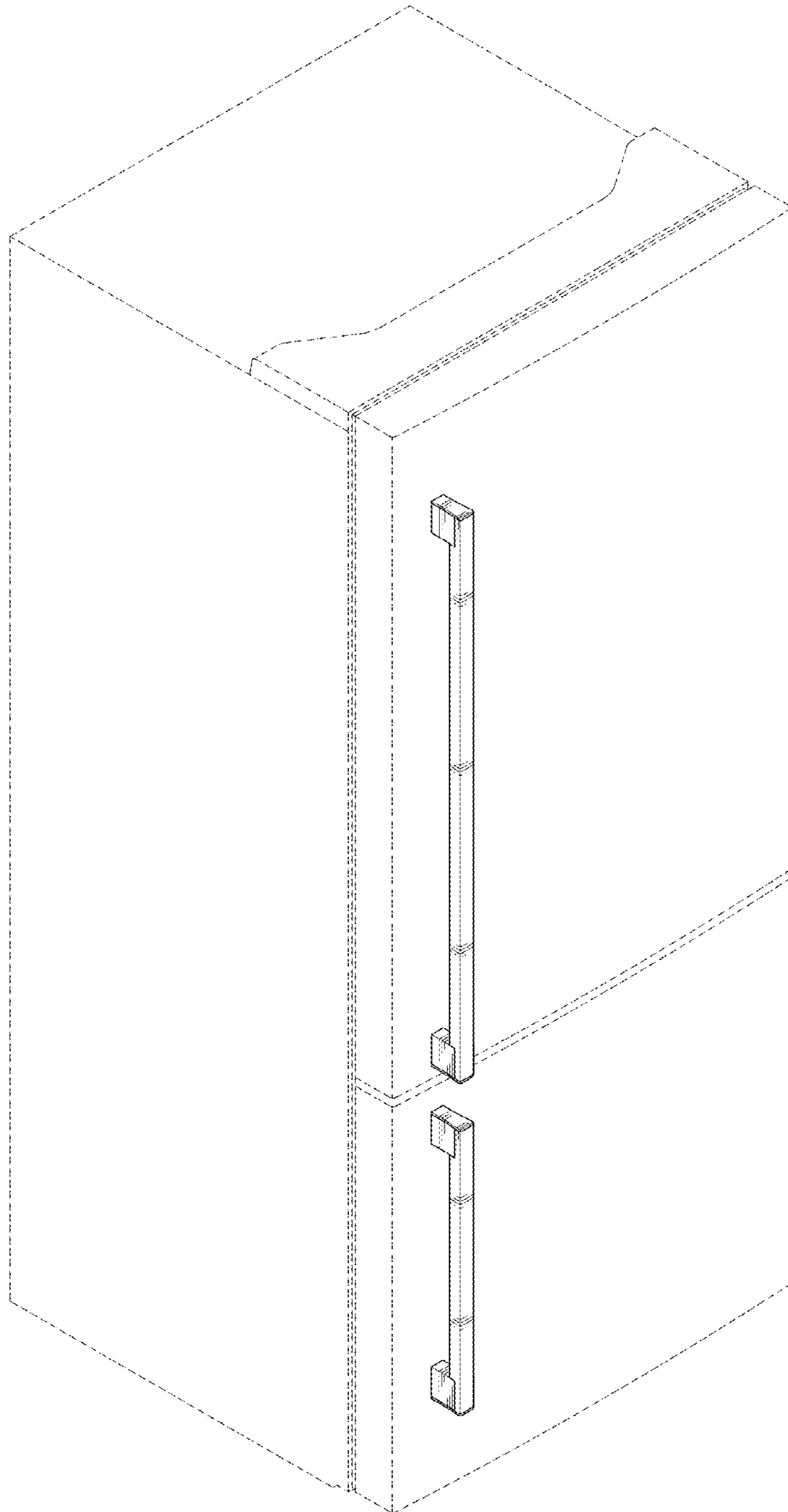


FIG. 2

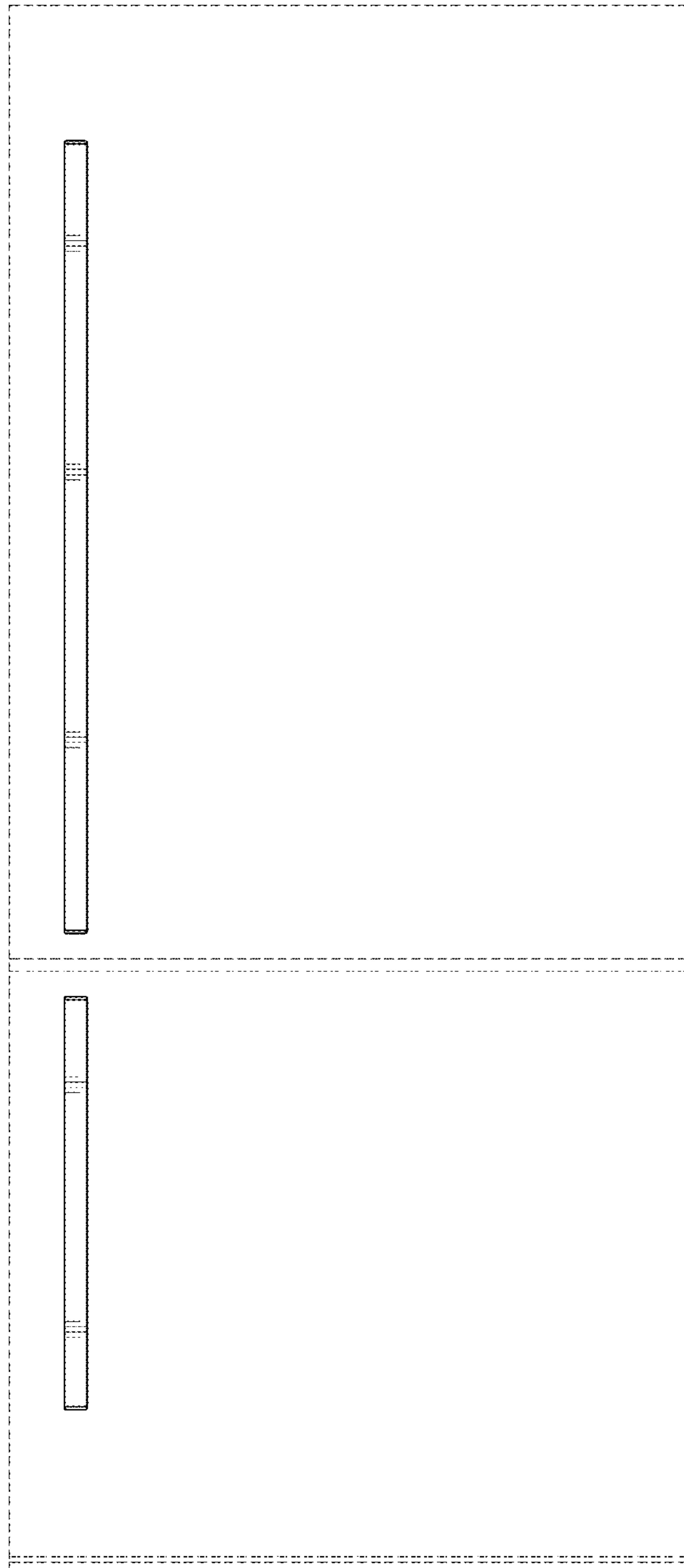


FIG. 3

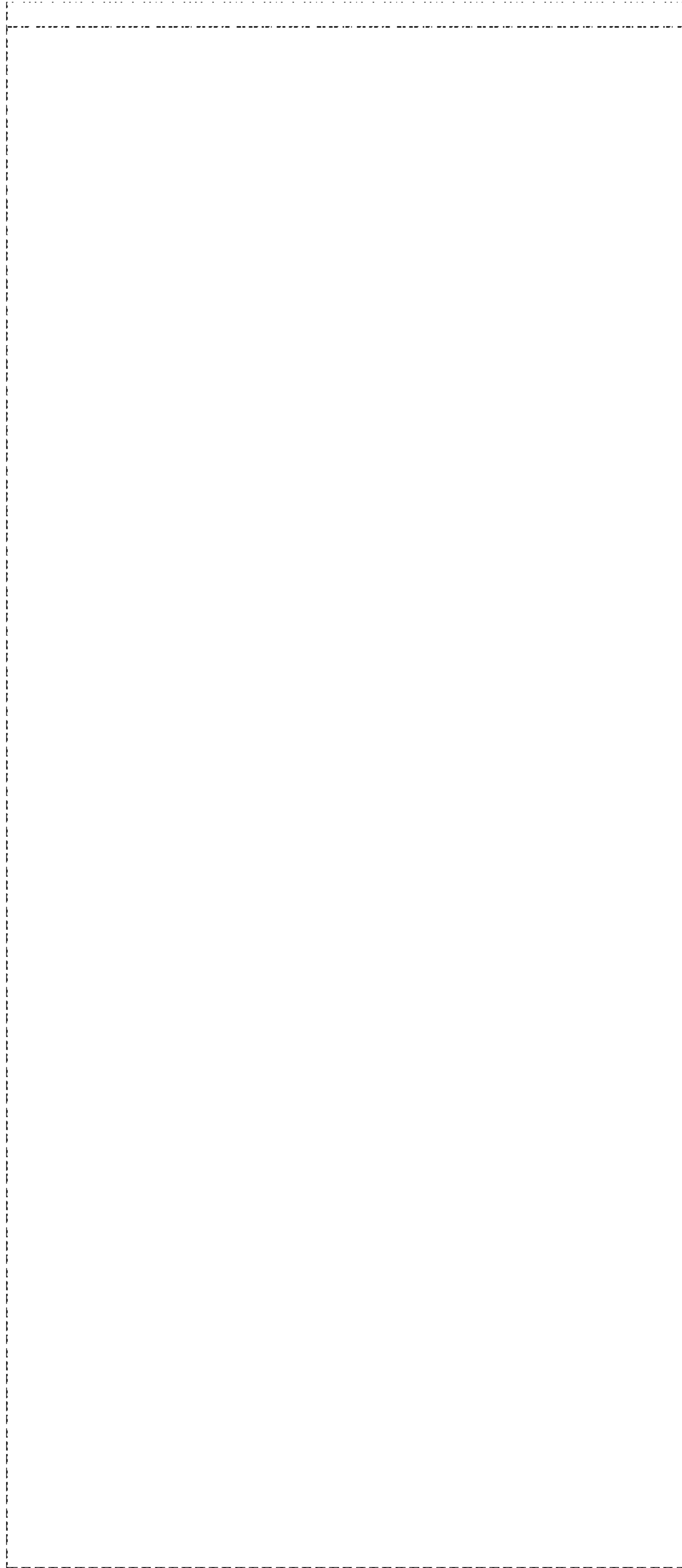


FIG. 4

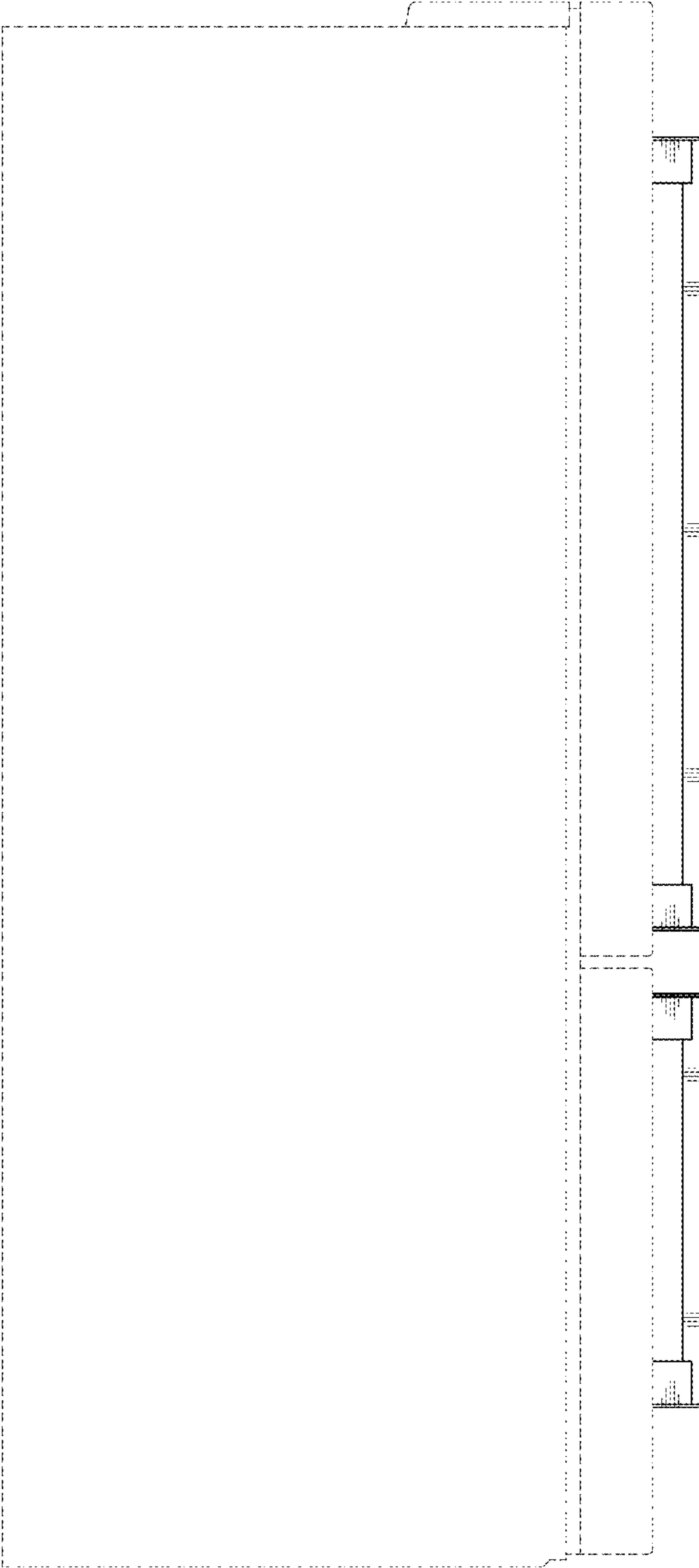


FIG. 5

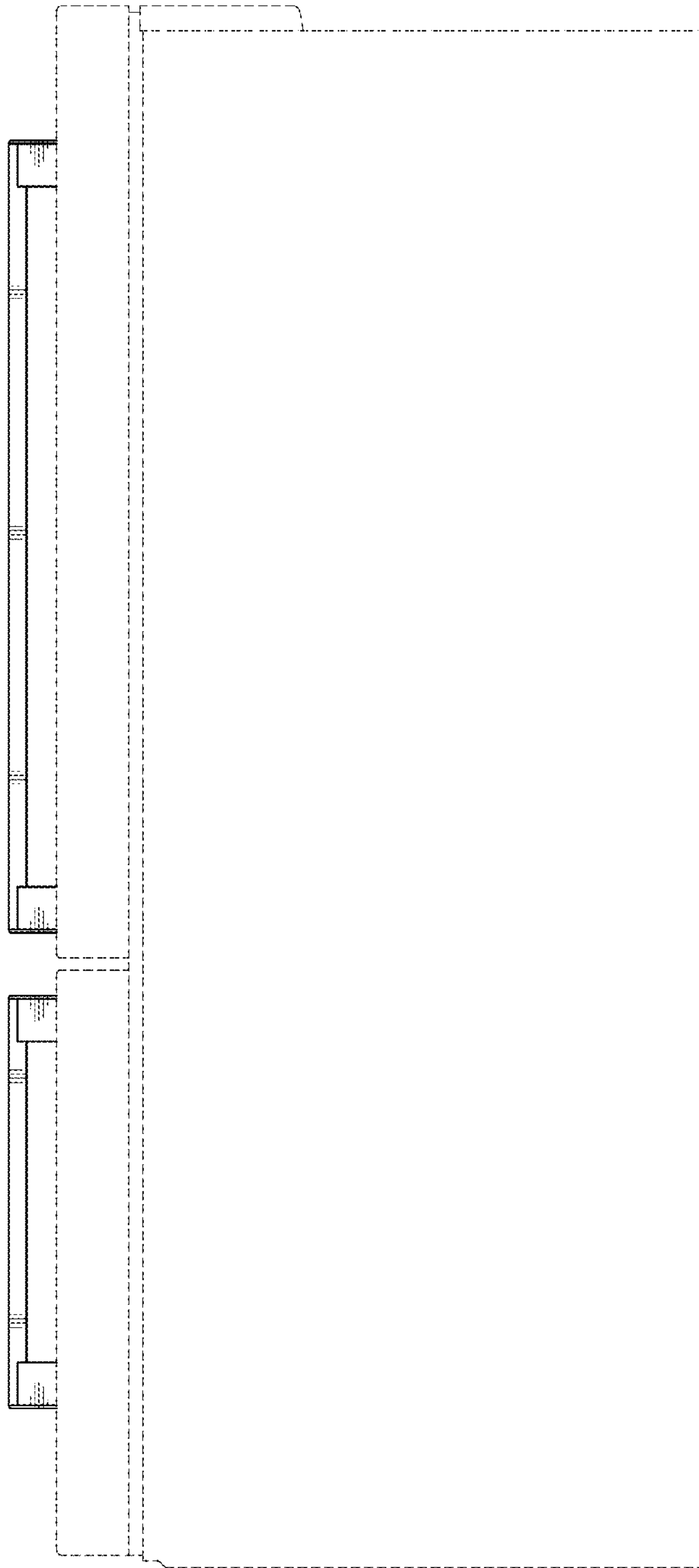


FIG. 6

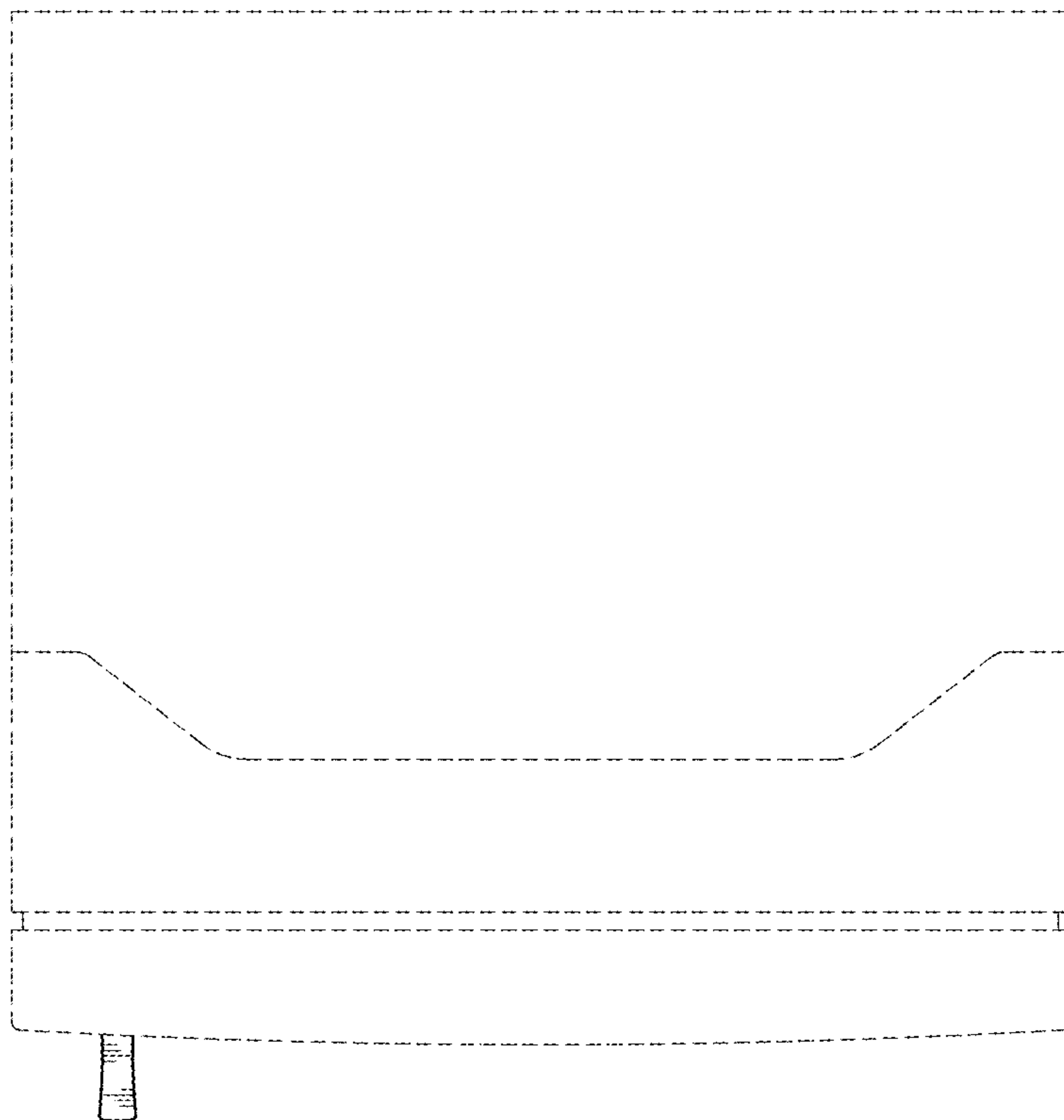


FIG. 7

