



US00D749390S

(12) **United States Design Patent**  
**Baheti**

(10) **Patent No.:** **US D749,390 S**

(45) **Date of Patent:** **\*\* Feb. 16, 2016**

(54) **SINGLE HEADED HAMMER WITH INTERCHANGEABLE STRIKING FACES**

(71) Applicant: **HAWK Importers, Inc.**, Long Beach, CA (US)

(72) Inventor: **Nandkishor Baheti**, Navi Mumbai (IN)

(73) Assignee: **Hawk Importers, Inc.**, Long Beach, CA (US)

(\*\*) Term: **14 Years**

(21) Appl. No.: **29/491,384**

(22) Filed: **May 20, 2014**

(51) **LOC (10) Cl.** ..... **08-02**

(52) **U.S. Cl.**  
USPC ..... **D8/75**

(58) **Field of Classification Search**

USPC ..... D8/75-81, 105, 107; D22/117;  
81/19-26, 489-490; 254/26 R  
CPC ..... B23K 9/28; B25F 1/00; B25D 1/00;  
B25D 1/02; B25D 1/04; B25D 1/045; B25D  
1/06; B25D 1/12; B25G 1/02; A22C 9/007;  
A41D 19/04  
See application file for complete search history.

(56) **References Cited**

**U.S. PATENT DOCUMENTS**

763,553 A \* 6/1904 Goddard ..... B25D 1/02  
81/19  
1,419,615 A \* 6/1922 Cohen ..... A41D 19/04  
81/19  
D160,646 S \* 10/1950 Milo ..... D8/105  
D210,061 S \* 1/1968 Dixon ..... D8/75  
4,307,647 A \* 12/1981 Christian ..... G10D 13/003  
84/404

4,899,409 A \* 2/1990 Cox, Jr. .... B08B 9/021  
15/104.04  
D327,405 S \* 6/1992 Brinkman ..... D8/75  
D478,265 S \* 8/2003 Chen ..... D8/76  
6,997,796 B1 \* 2/2006 Wangler ..... A22C 9/007  
452/102  
D601,397 S \* 10/2009 Johnsen ..... D8/75  
7,862,408 B1 \* 1/2011 Weinstein ..... A22C 9/007  
452/102  
D644,082 S \* 8/2011 LeMacher ..... D8/78  
D676,301 S \* 2/2013 Vanderbeek ..... D8/75  
D676,302 S \* 2/2013 Vanderbeek ..... D8/75

\* cited by examiner

*Primary Examiner* — Philip S Hyder

*Assistant Examiner* — Roselynn Cody

(74) *Attorney, Agent, or Firm* — J. Curtis Edmondson; Law Offices of J. Curtis Edmondson

(57) **CLAIM**

I claim the ornamental design for a single headed hammer with interchangeable striking faces, as shown and described.

**DESCRIPTION**

FIG. 1 is an isometric view of a single headed hammer with six plastic interchangeable faces and six stainless steel interchangeable faces.

FIG. 2 is a front side view thereof, showing exemplary interchangeable faces in place.

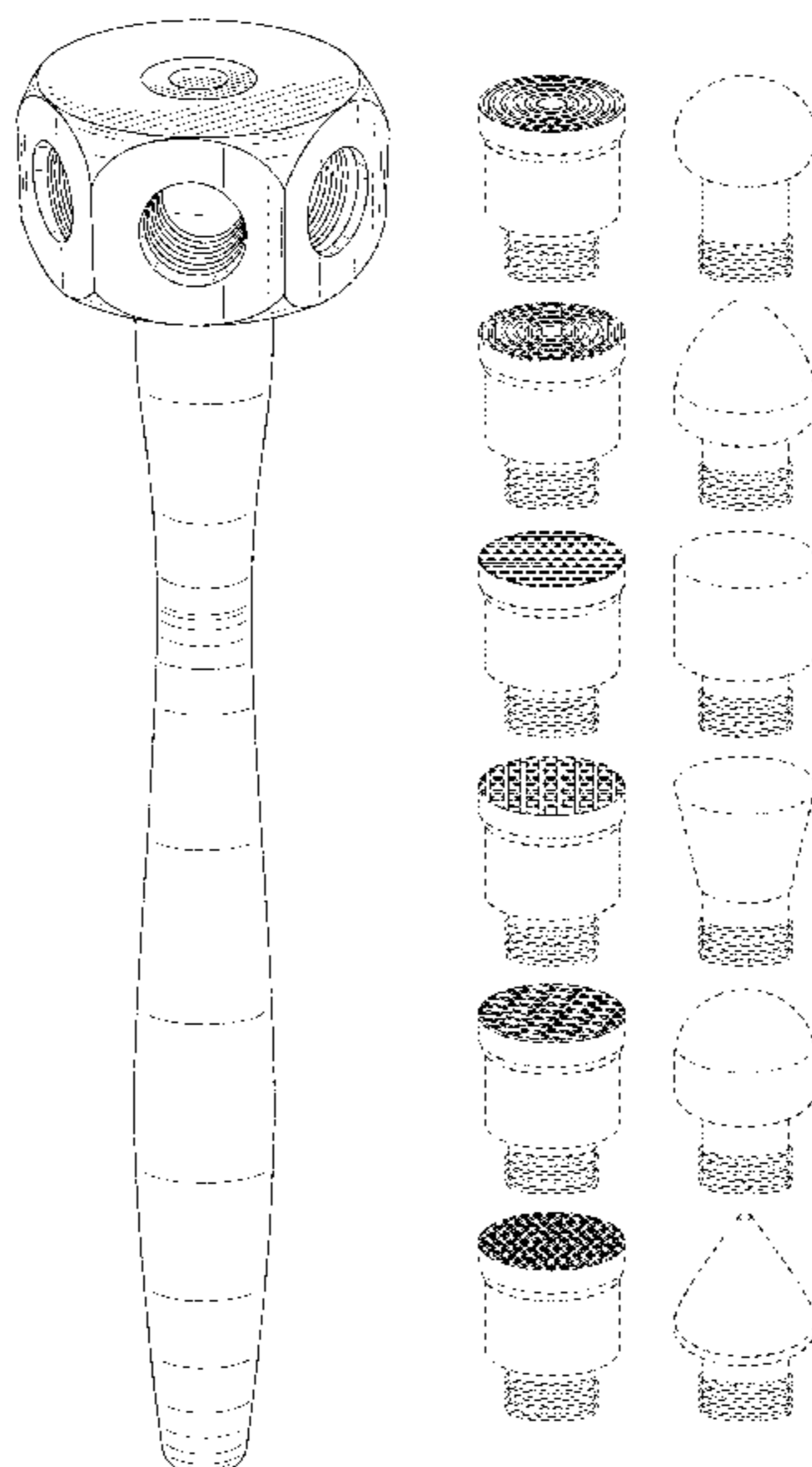
FIG. 3 is a right side view thereof, showing exemplary interchangeable faces in place.

FIG. 4 is a top plan view thereof, showing four exemplary interchangeable faces in place; and,

FIG. 5 is a bottom plan view thereof showing four exemplary interchangeable faces in place.

The broken lines depict portions of the striking faces in which the design is embodied that form no part of the claimed design.

**1 Claim, 4 Drawing Sheets**



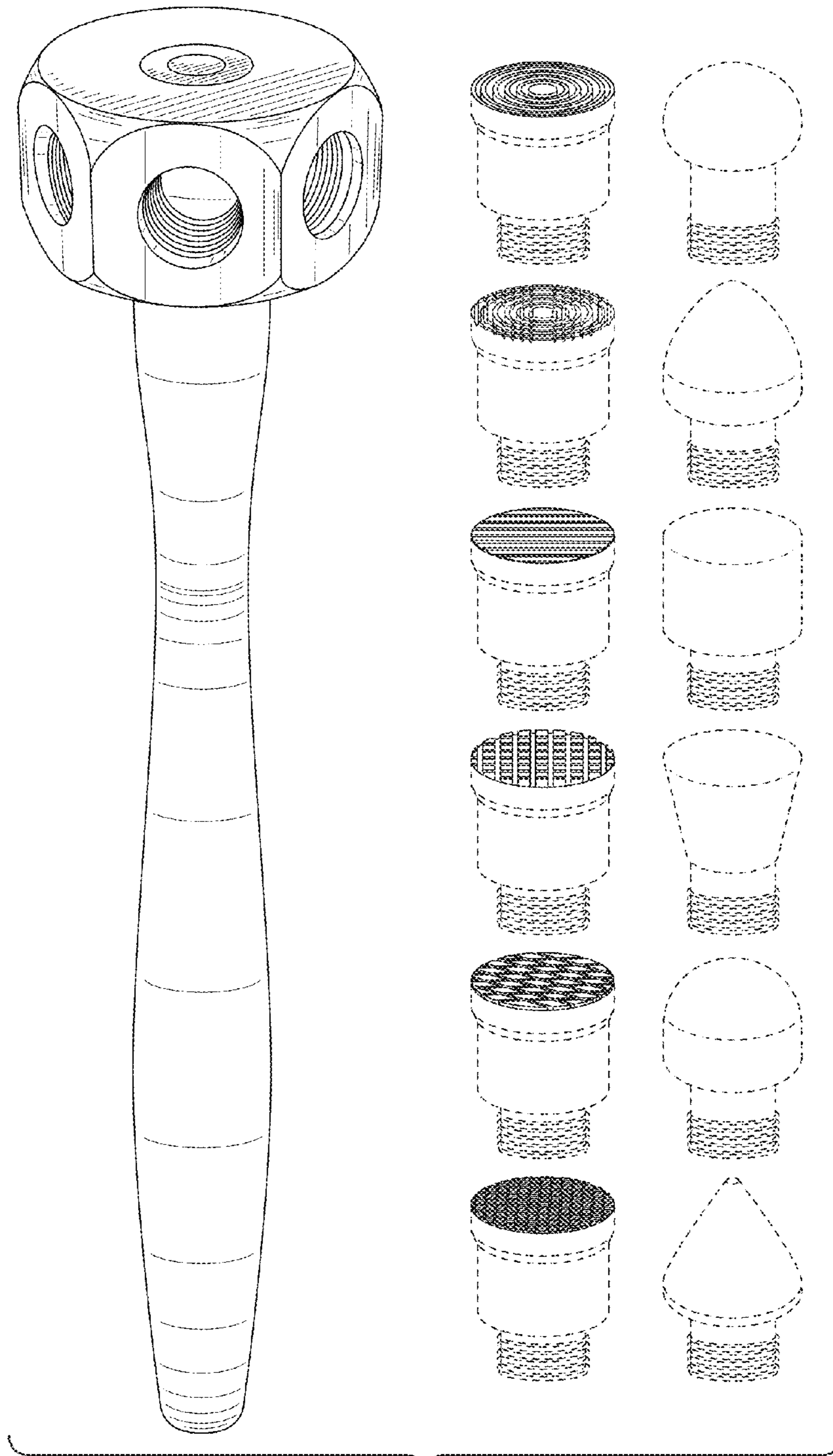


FIG. 1

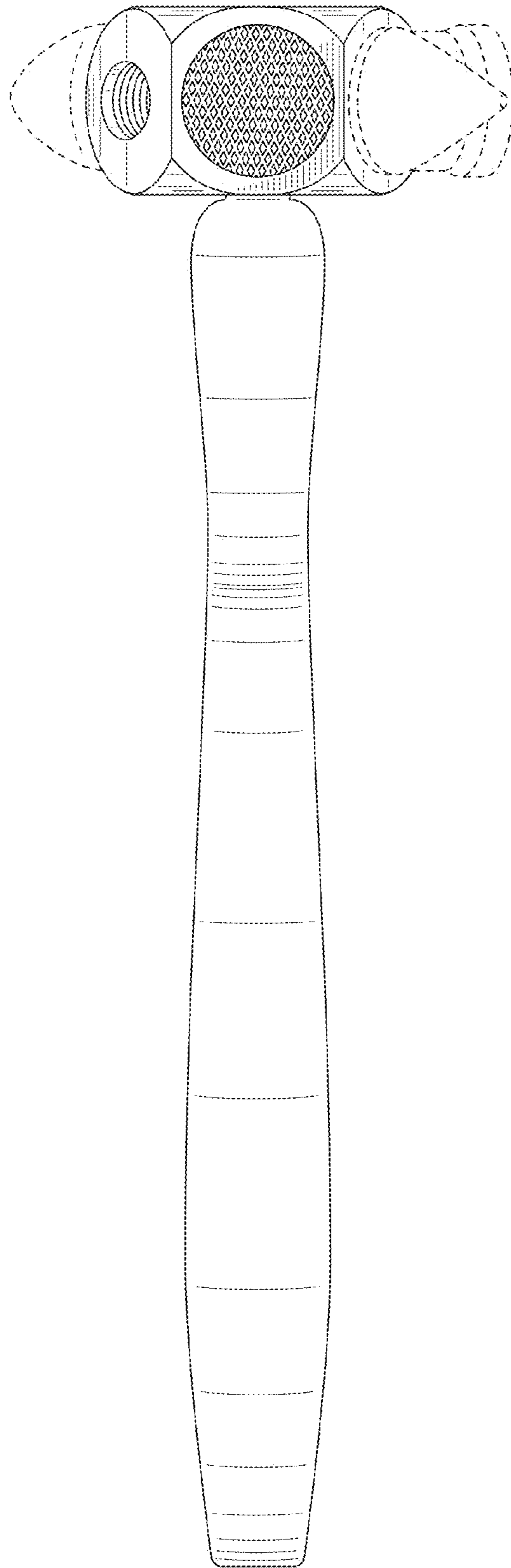


FIG. 2

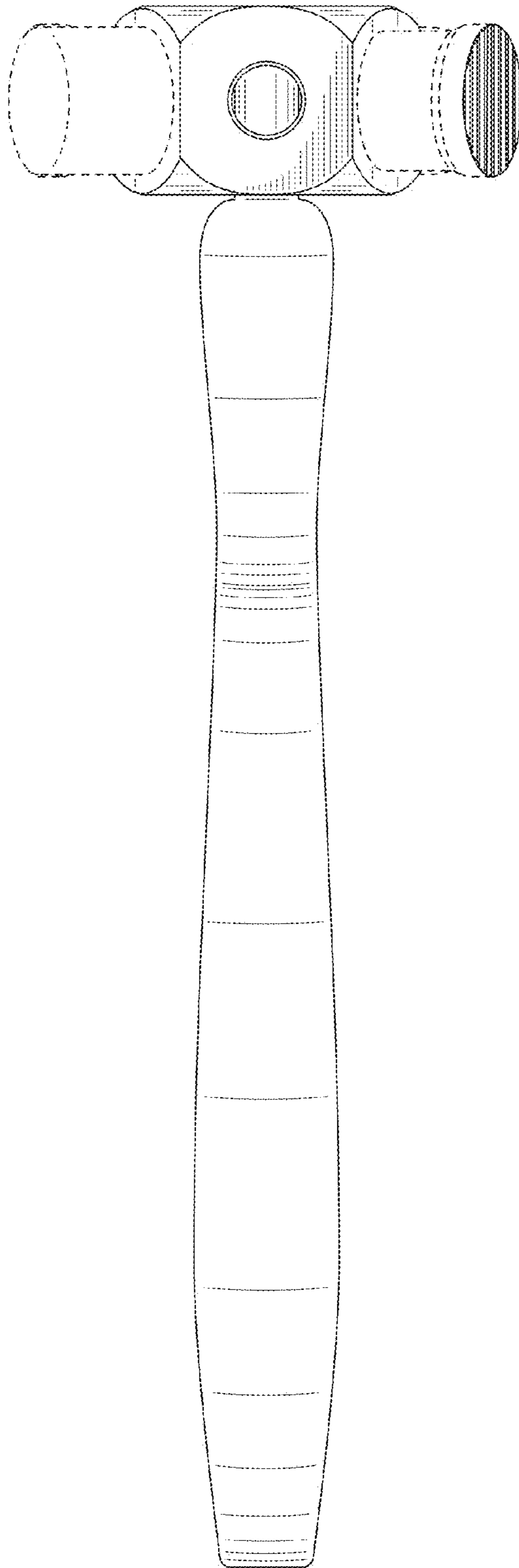


FIG. 3

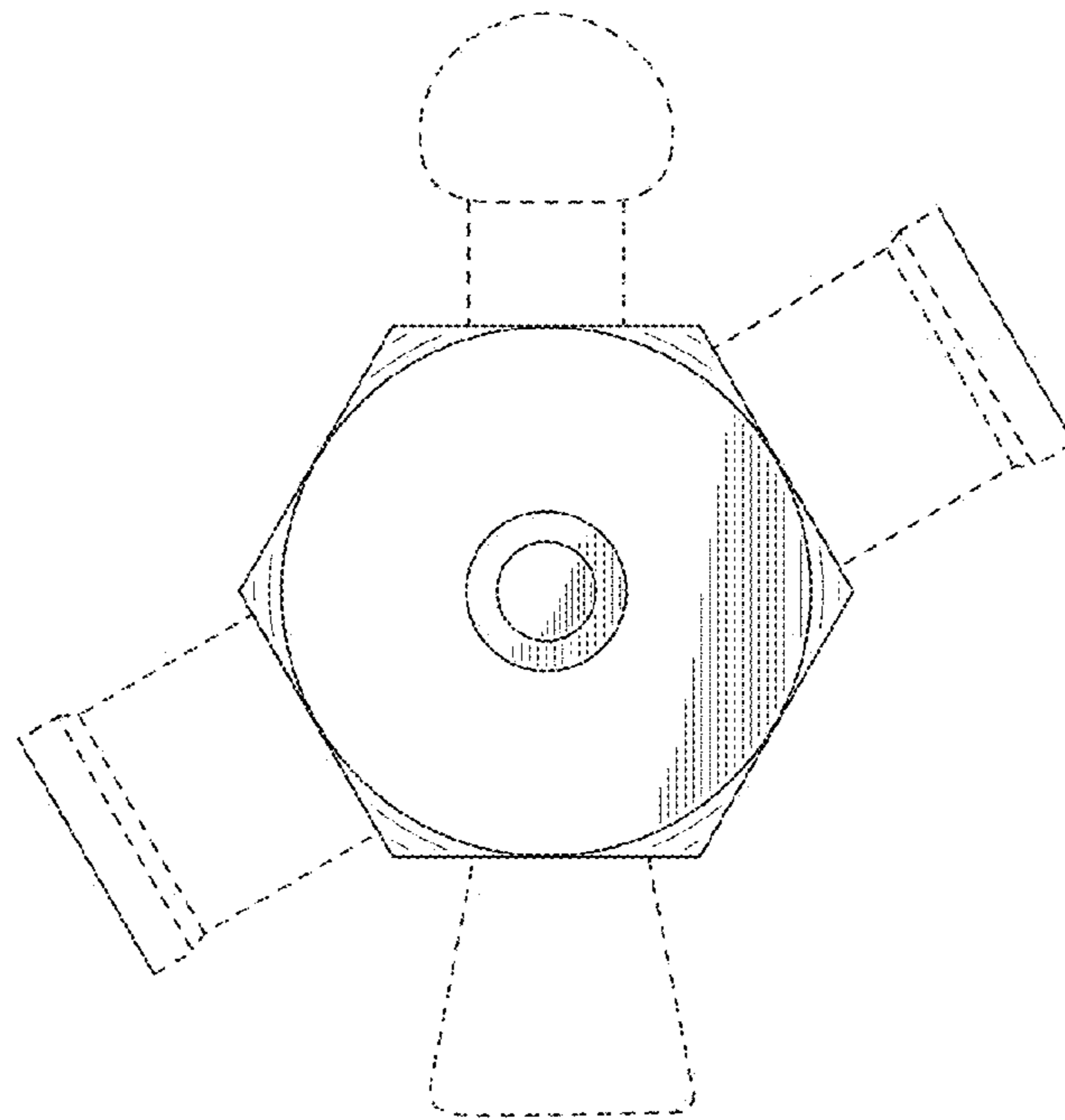


FIG. 4

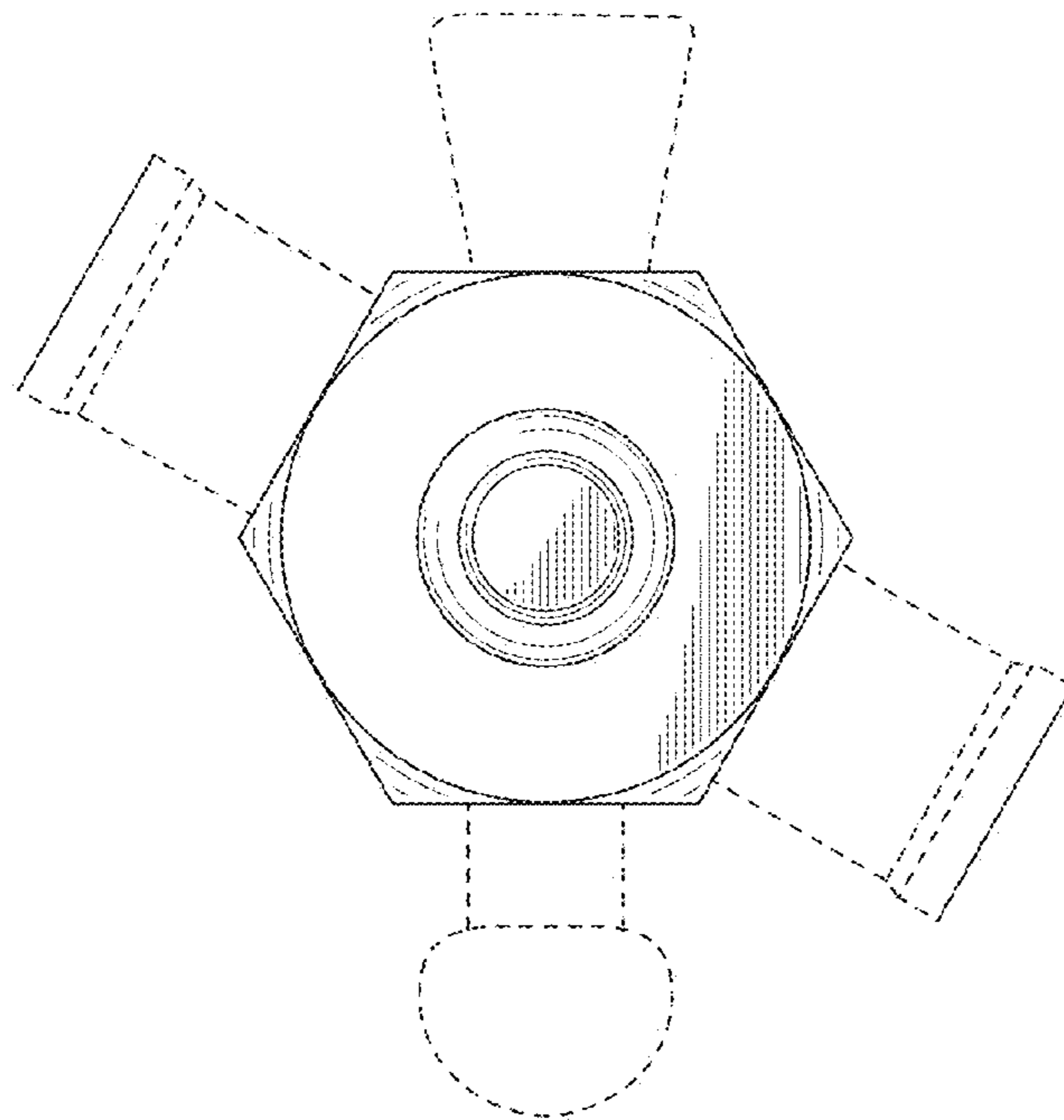


FIG. 5