



US00D749389S

(12) **United States Design Patent**
Aoki et al.

(10) **Patent No.:** **US D749,389 S**

(45) **Date of Patent:** **** Feb. 16, 2016**

(54) **PORTABLE ELECTRIC DRIVER**

(71) Applicant: **Hitachi Koki Co., Ltd.**, Minato-Ku,
Tokyo (JP)

(72) Inventors: **Yoshiki Aoki**, Hitachinaka (JP);
Masanori Okada, Hitachinaka (JP);
Hiroyuki Hasegawa, Hitachinaka (JP);
Hiroki Uchida, Hitachinaka (JP)

(73) Assignee: **Hitachi Koki Co., Ltd.**, Minato-Ku,
Tokyo (JP)

(**) Term: **14 Years**

(21) Appl. No.: **29/459,009**

(22) Filed: **Jun. 25, 2013**

(30) **Foreign Application Priority Data**

Dec. 26, 2012 (JP) 2012-031654

(51) **LOC (10) Cl.** **08-03**

(52) **U.S. Cl.**
USPC **D8/68**

(58) **Field of Classification Search**
USPC D8/61, 67, 68; 81/57.4, 489; 173/48,
173/109, 170, 178, 217; 408/124, 125;
362/119; 475/149

CPC B62D 23/005; B62D 29/00; B62D 29/043;
B62D 31/00; B62D 33/046; B62D 35/00;
B62D 35/001; B60Q 1/0005

See application file for complete search history.

(56) **References Cited**

U.S. PATENT DOCUMENTS

D505,055 S * 5/2005 Nagasaka et al. D8/68
D508,642 S * 8/2005 Kokawa et al. D8/68
D534,048 S * 12/2006 Tsai et al. D8/68
D565,375 S * 4/2008 Shi D8/68
D585,714 S * 2/2009 Okuda et al. D8/68

D614,468 S * 4/2010 Aglassinger D8/68
D617,622 S * 6/2010 Lopano D8/68
D655,994 S * 3/2012 Schoch D8/68
D656,804 S * 4/2012 Murray D8/68
D672,627 S * 12/2012 Kawase et al. D8/68
D691,444 S * 10/2013 Tirone et al. D8/68
2006/0102367 A1 * 5/2006 Etter et al. 173/218
2012/0061117 A1 * 3/2012 Nagasaka et al. 173/217

OTHER PUBLICATIONS

“WH18DBDL 18V Lithium Ion Brushless Impact Driver”. Hitachi.com., Aug. 8, 2013 [online], [retrieved on Mar. 10, 2014]. Retrieved from the Internet <URL: http://www.hitachi-koki.com/powertools/products/catalog/wh14ddl_c.pdf>.*

“Hitachi Cordless Impact Drivers—WH 14DDL / WH 18DDL”. Hitachi-koki.com., Sep. 24, 2012 [online], [retrieved on Mar. 10, 2014]. Retrieved from the Internet <URL: <http://www.hitachipowertools.com/index/main-navigation/tools.aspx?d=2,20&p=817>>.*

* cited by examiner

Primary Examiner — Philip S Hyder

Assistant Examiner — Darlington Ly

(74) *Attorney, Agent, or Firm* — Banner & Witcoff, Ltd.

(57) **CLAIM**

The ornamental design for a portable electric driver, as shown and described.

DESCRIPTION

FIG. 1 is a front perspective view of the portable electric driver showing our new design;

FIG. 2 is a front view thereof;

FIG. 3 is a rear view thereof;

FIG. 4 is a left side view thereof;

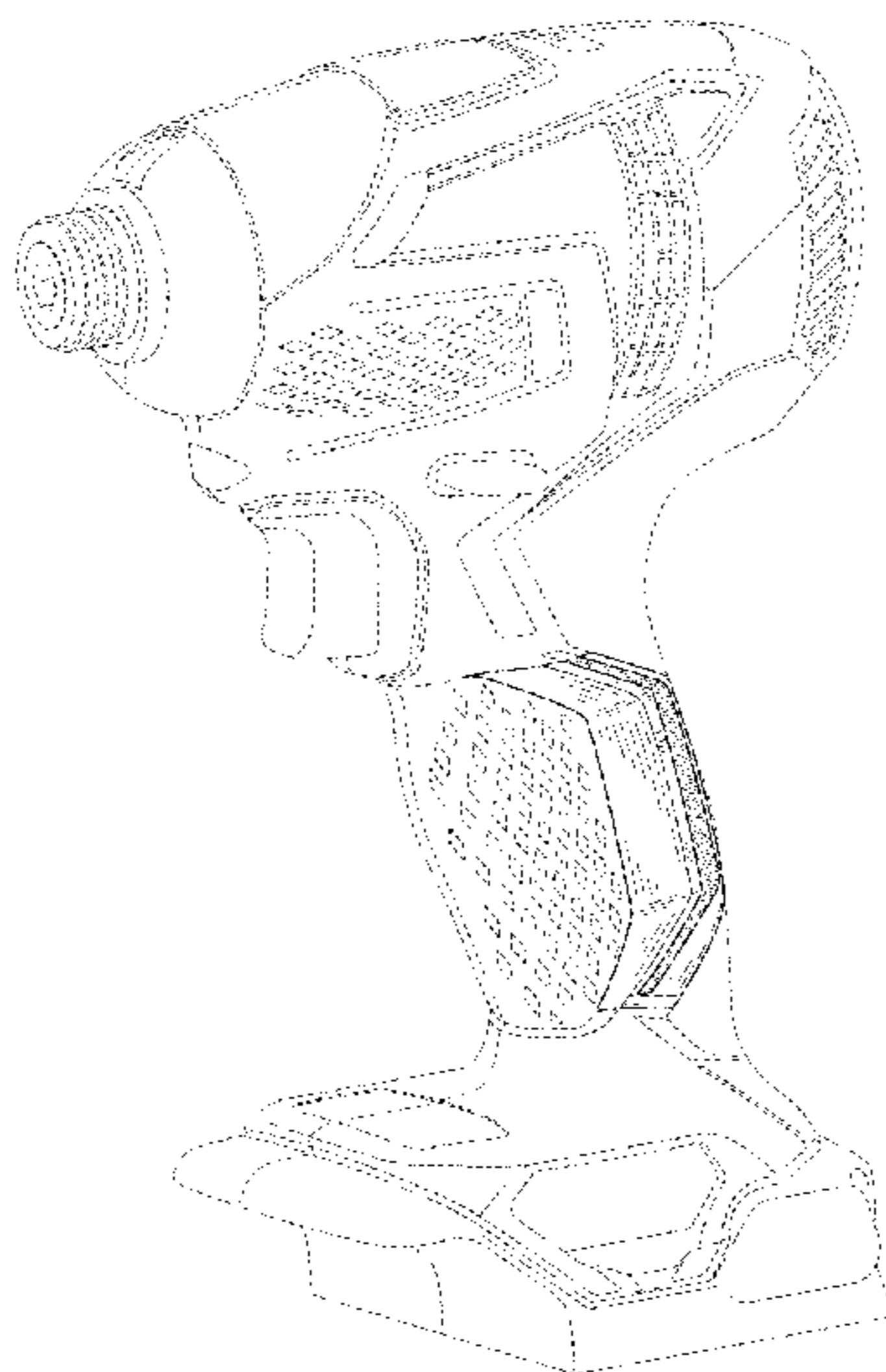
FIG. 5 is a right side view thereof;

FIG. 6 is a top plan view thereof; and,

FIG. 7 is a bottom plan view thereof.

The broken lines represent the portions of the design that form no part of the claim.

1 Claim, 5 Drawing Sheets



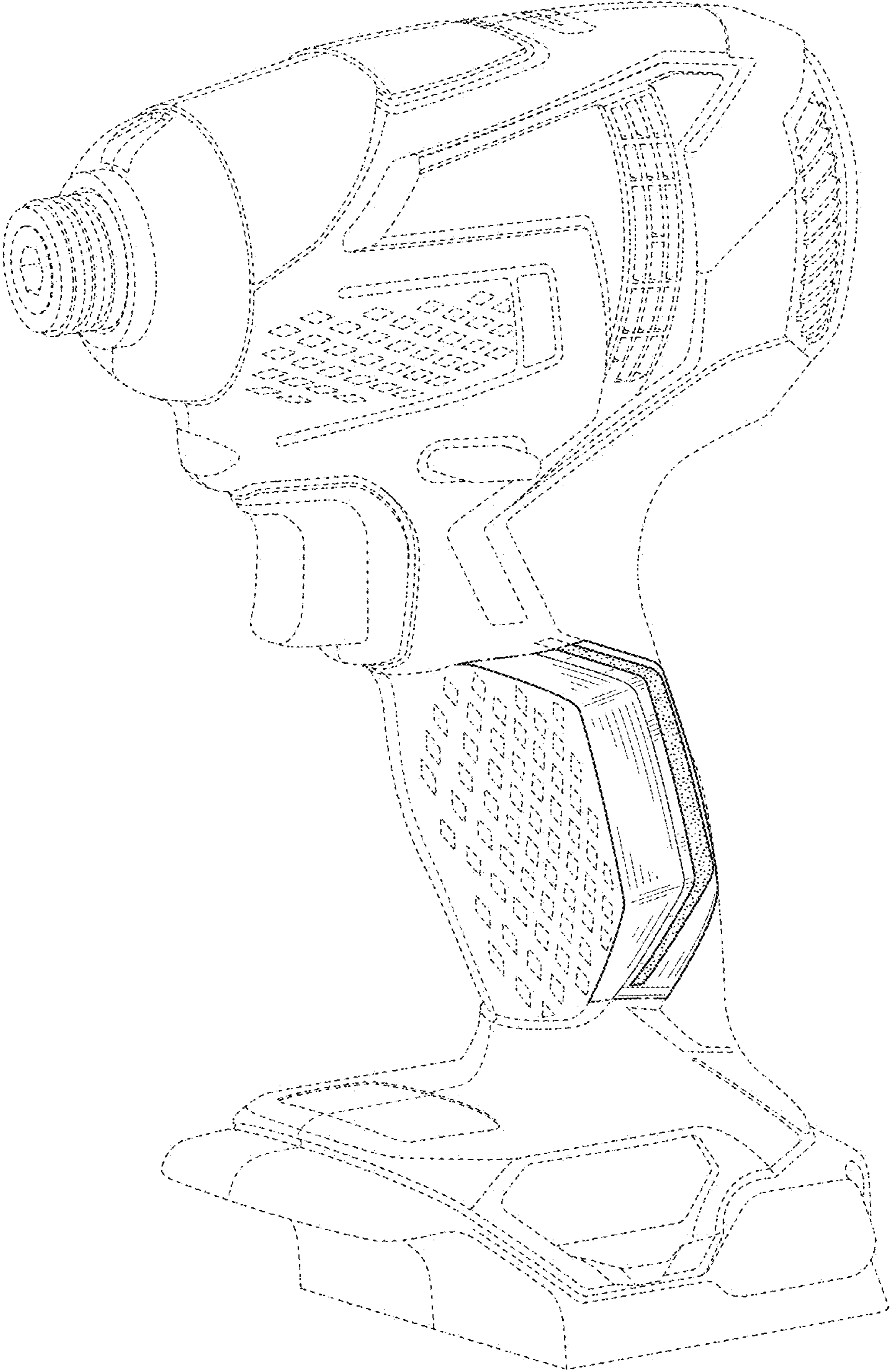


FIG. 1

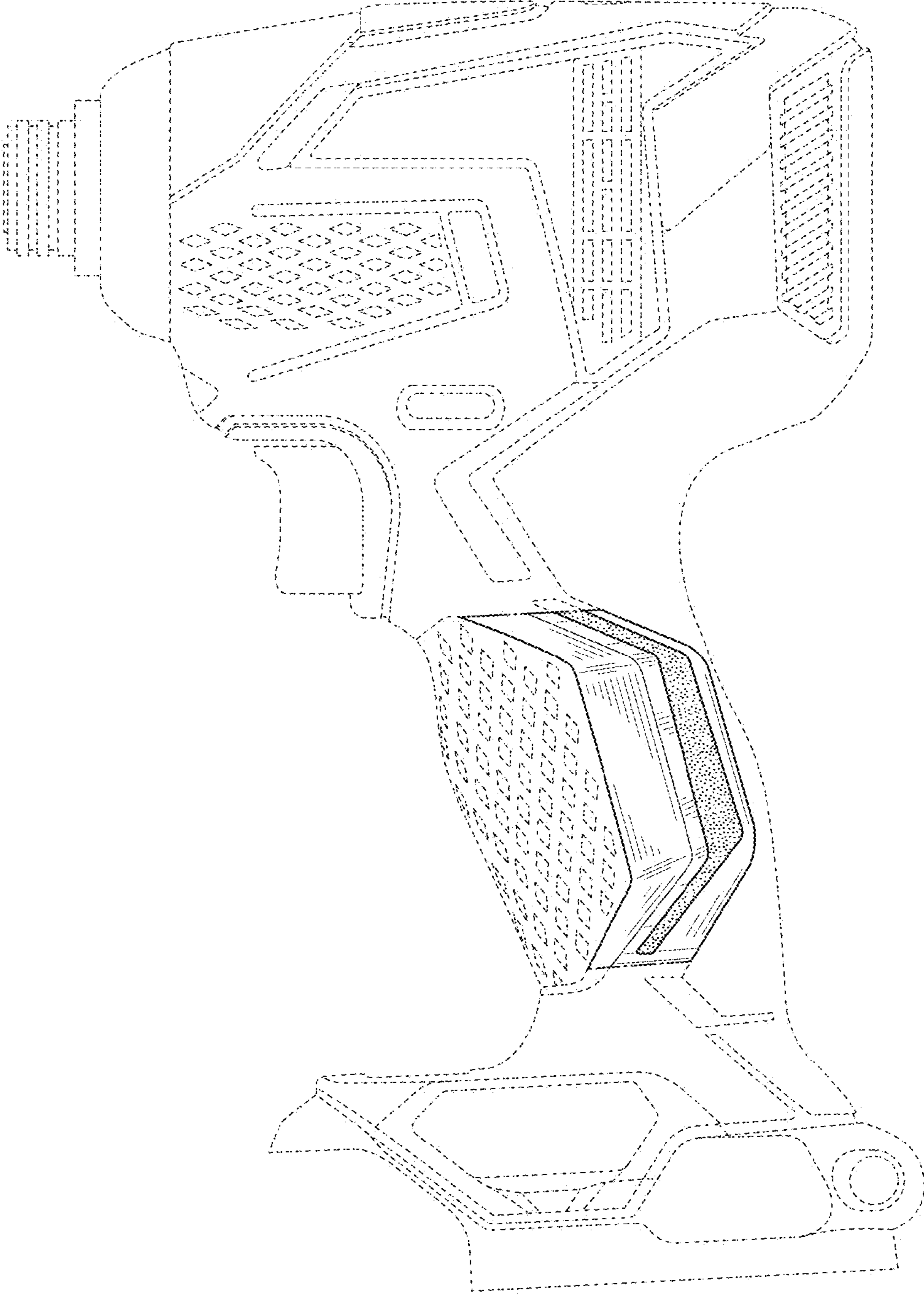


FIG. 2

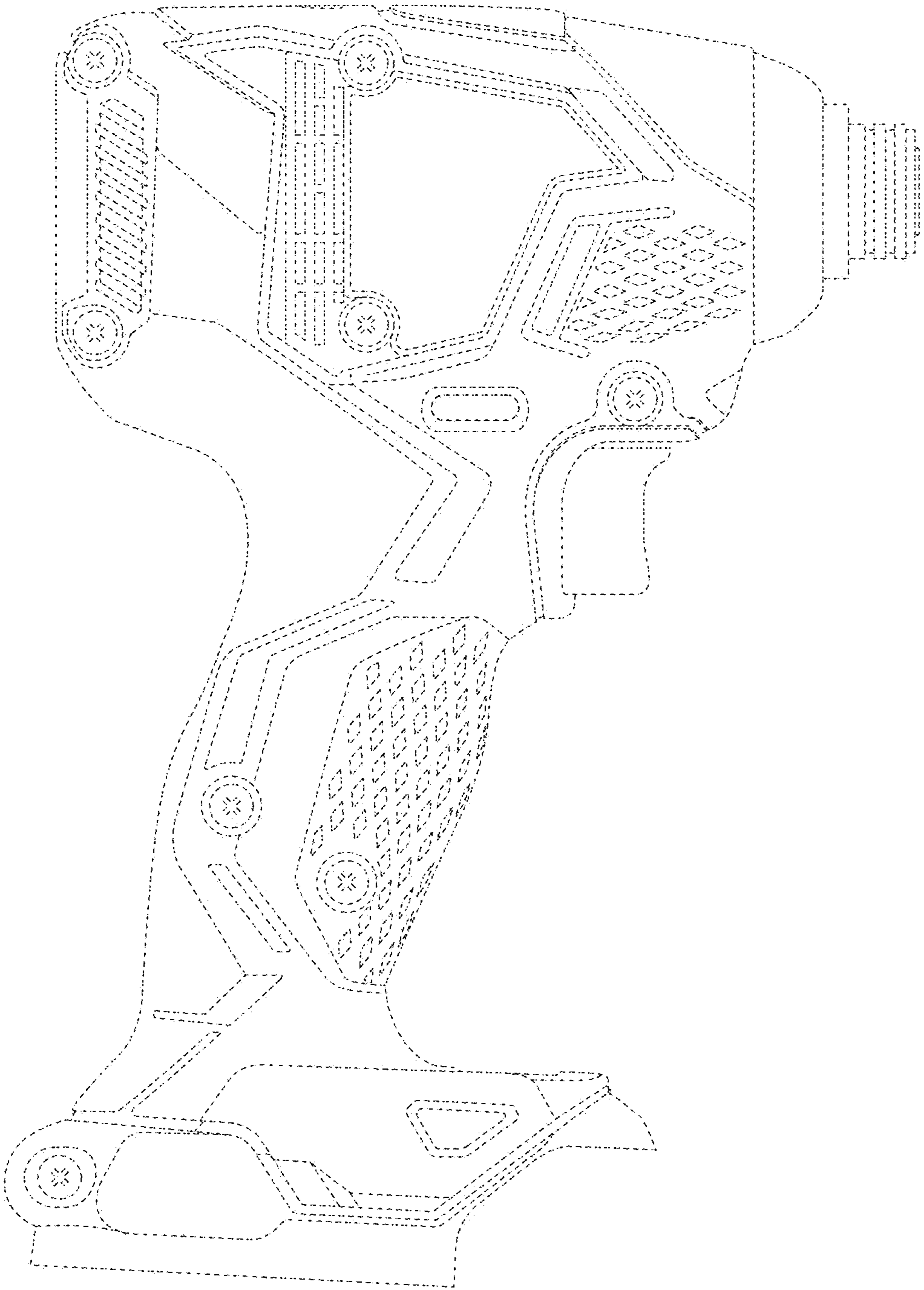


FIG. 3

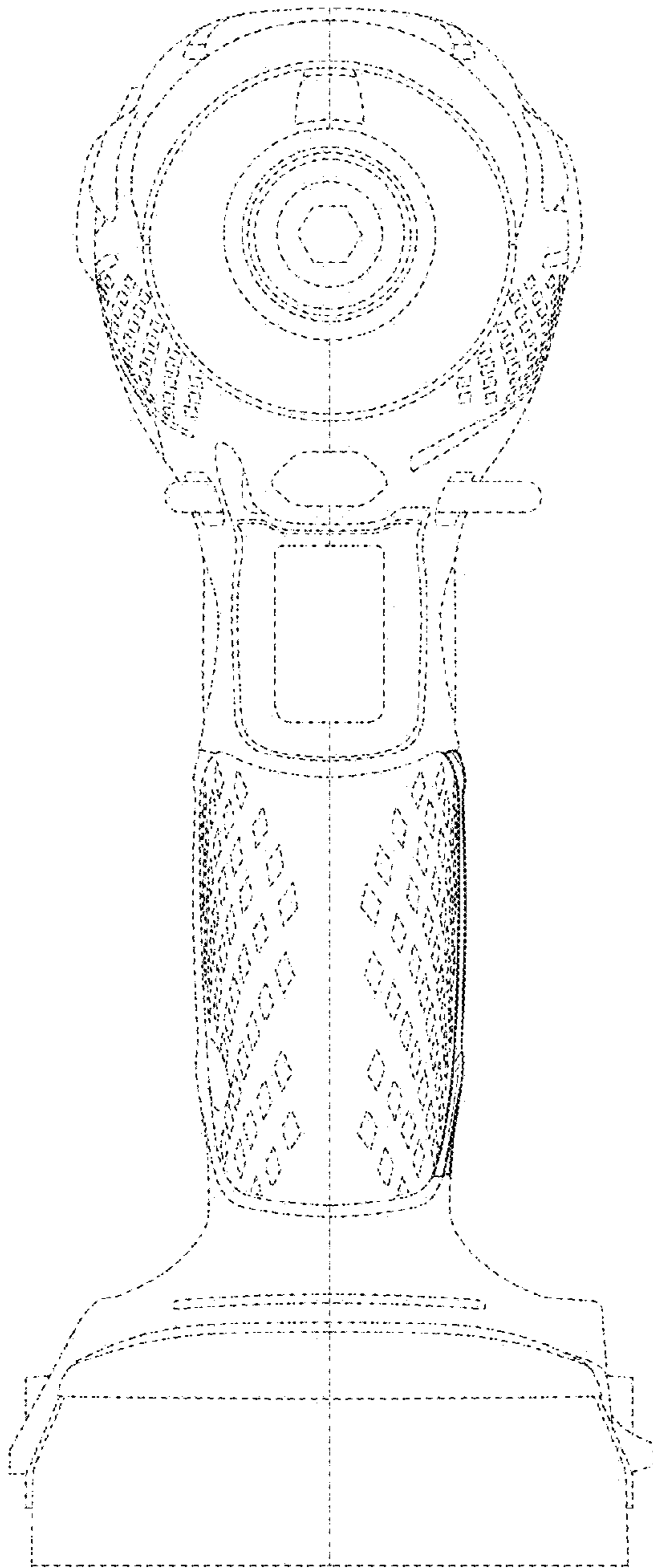


FIG. 4

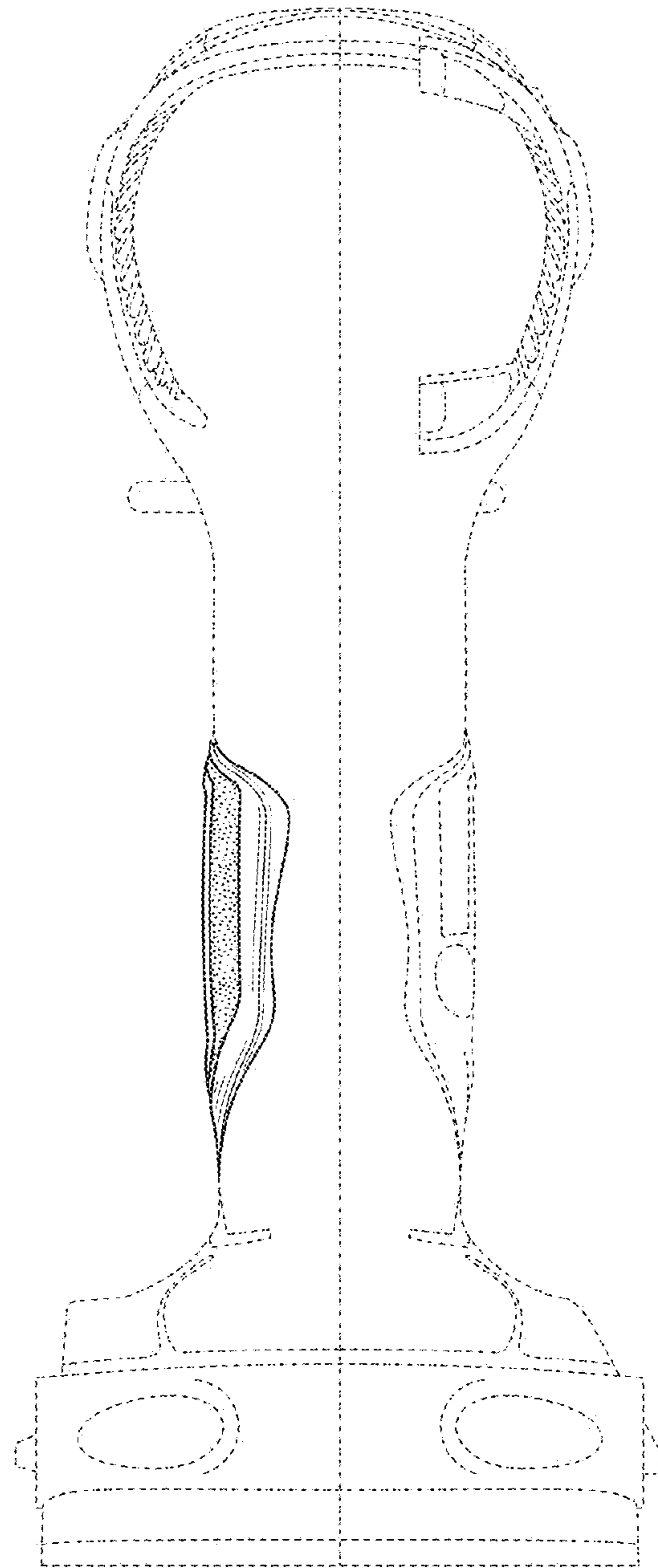


FIG. 5

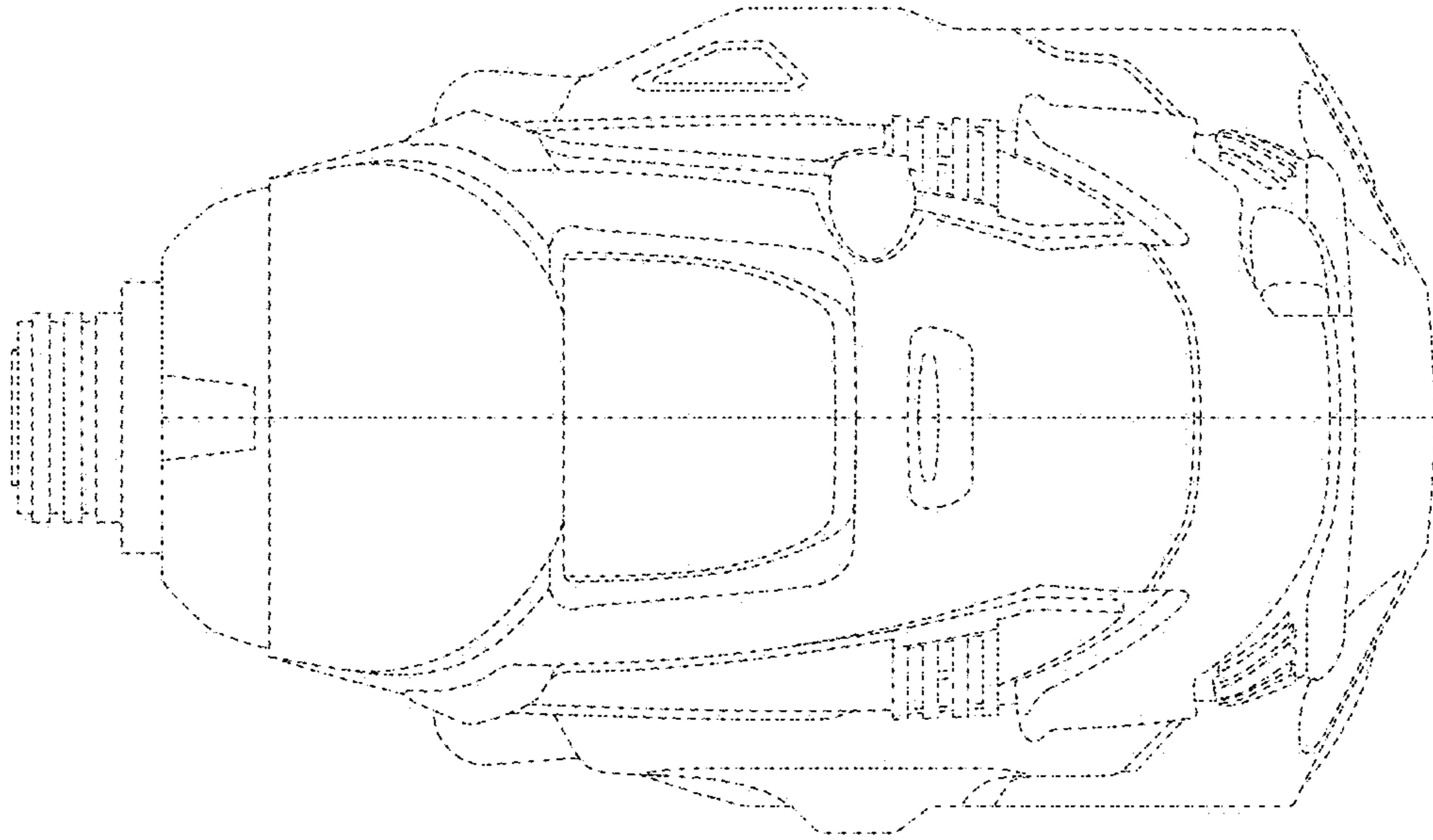


FIG. 6

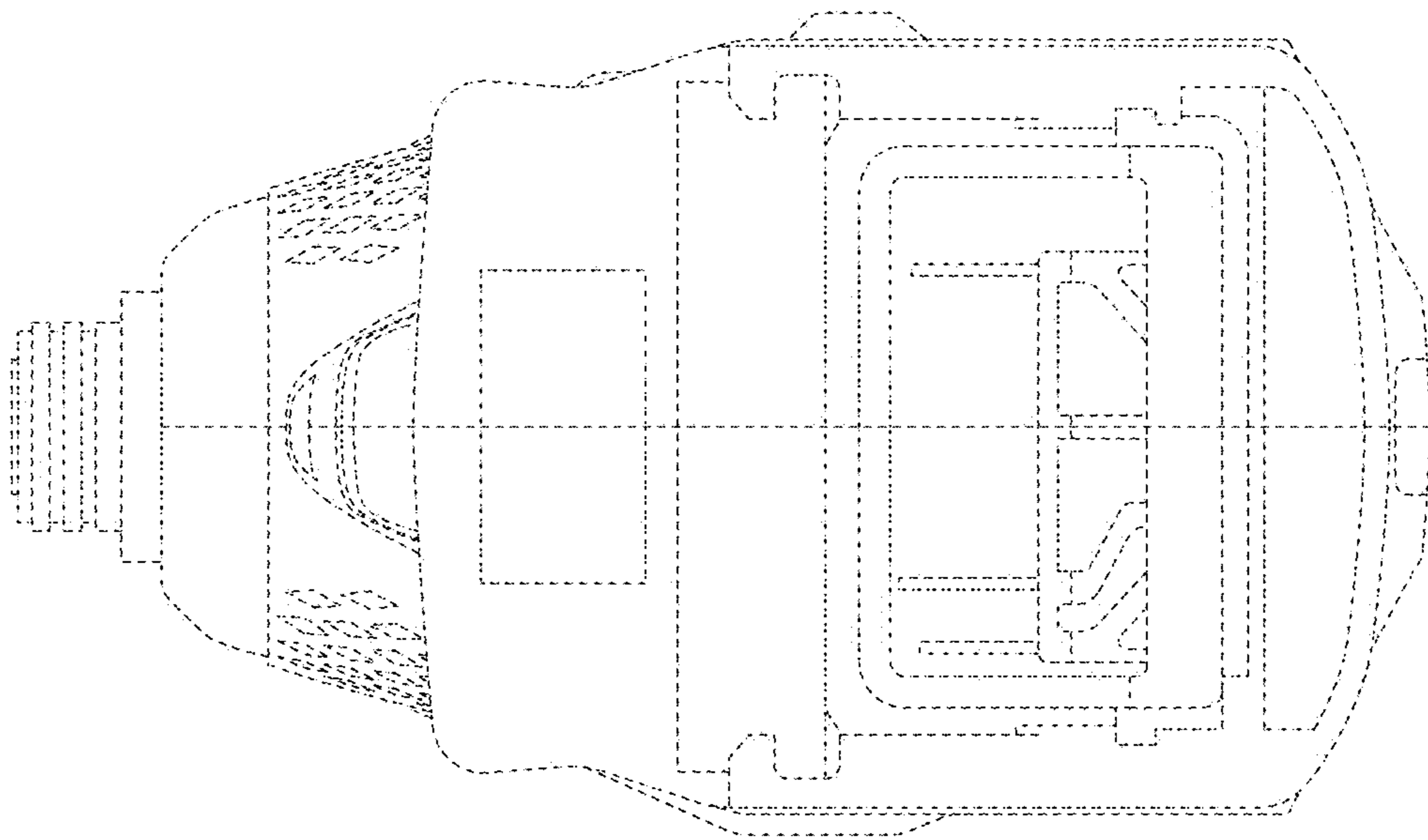


FIG. 7