



US00D749388S

(12) **United States Design Patent**
Lee et al.

(10) **Patent No.:** **US D749,388 S**
(45) **Date of Patent:** **** Feb. 16, 2016**

(54) **SOCKET**
(71) Applicants: **An-Kun Lee**, Taichung (TW); **Shu-Tuan Yang**, Taichung (TW); **Chiu-Ken Lai**, Taichung (TW)
(72) Inventors: **An-Kun Lee**, Taichung (TW); **Shu-Tuan Yang**, Taichung (TW); **Chiu-Ken Lai**, Taichung (TW)

D374,172 S * 10/1996 Frattarola D8/397
5,848,561 A * 12/1998 Hsieh 81/59.1
D506,908 S * 7/2005 Hsien D8/29
7,024,967 B1 * 4/2006 Cheng 81/60
7,059,218 B1 * 6/2006 Lin et al. 81/60
D637,051 S * 5/2011 Li et al. D8/29
D709,343 S * 7/2014 Huang D8/70
2009/0282953 A1 * 11/2009 Lin 81/165

* cited by examiner

Primary Examiner — Randall Gholson

(**) Term: **14 Years**

(21) Appl. No.: **29/496,263**

(22) Filed: **Jul. 10, 2014**

(51) **LOC (10) Cl.** **08-05**

(52) **U.S. Cl.**
USPC **D8/29**

(58) **Field of Classification Search**
USPC D8/29; 81/60, 177.1, 177.85, 121.1,
81/124.3, 165–170, 110.1, 176.2, 124.6,
81/176.1, 176.15, 177.2; 16/110.1
CPC B25B 13/06
See application file for complete search history.

(56) **References Cited**

U.S. PATENT DOCUMENTS

4,512,220 A * 4/1985 Barnhill et al. 81/121.1
5,544,555 A * 8/1996 Corley et al. 81/125

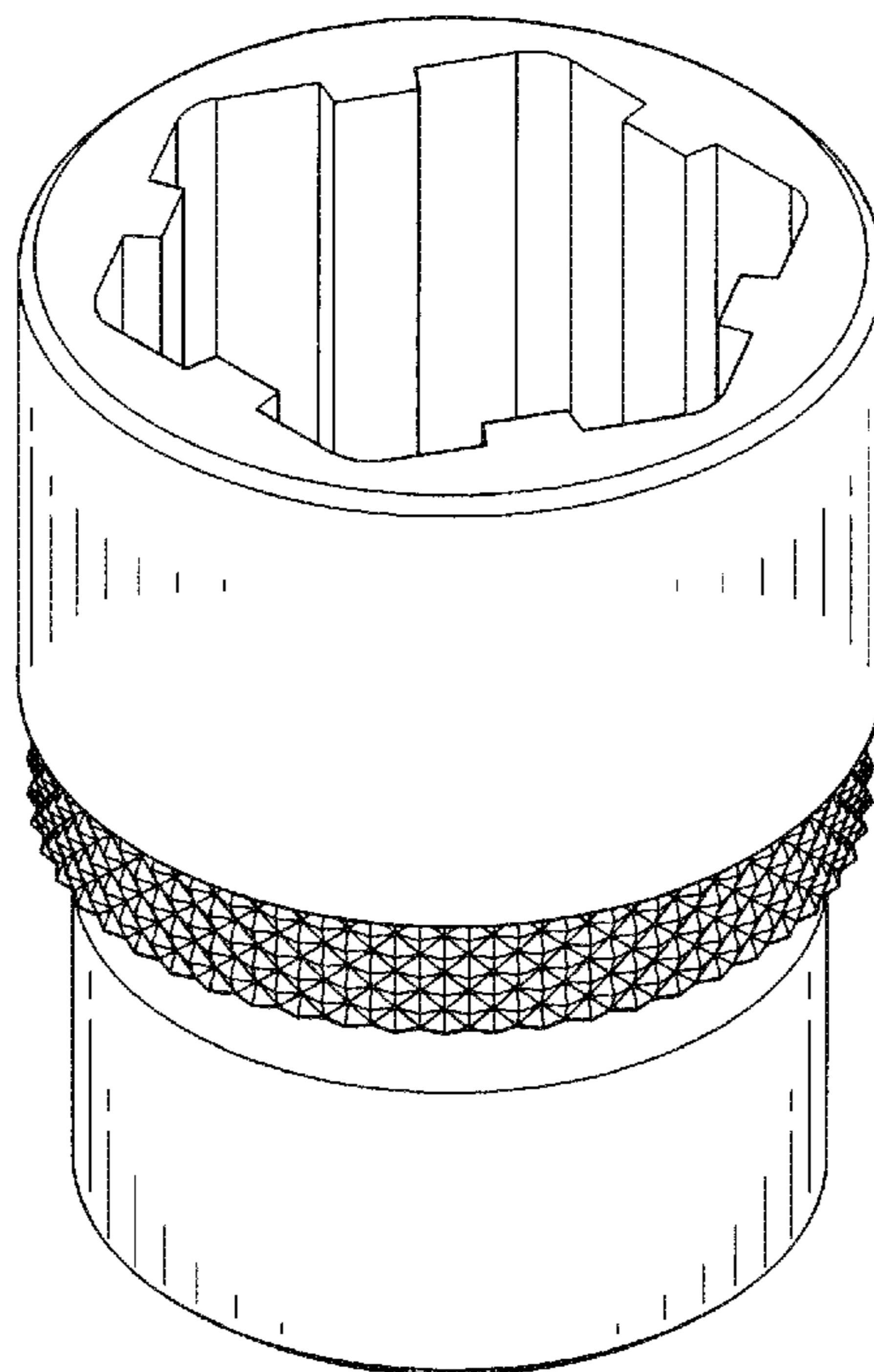
(57) **CLAIM**

The ornamental design for a socket, as shown and described.

DESCRIPTION

FIG. 1 is a perspective view of the socket showing my new design;
FIG. 2 is a front elevational view thereof;
FIG. 3 is a rear front elevational view thereof;
FIG. 4 is a left side elevational view thereof;
FIG. 5 is a right side elevational view thereof;
FIG. 6 is a top plan view thereof; and,
FIG. 7 is a bottom plan view thereof.
The broken lines depict portions of the socket that form no part of the claimed design.

1 Claim, 4 Drawing Sheets



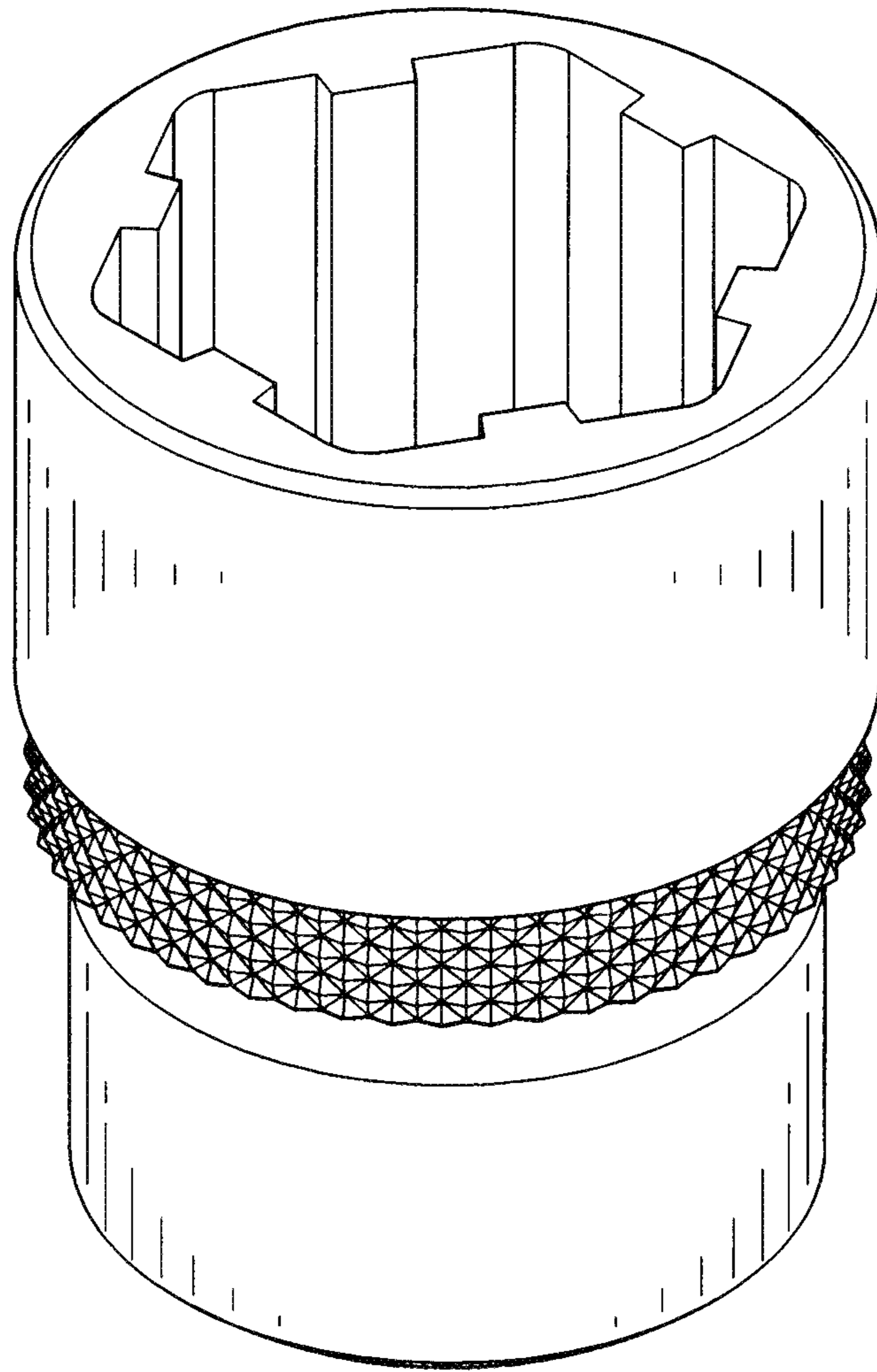


FIG.1

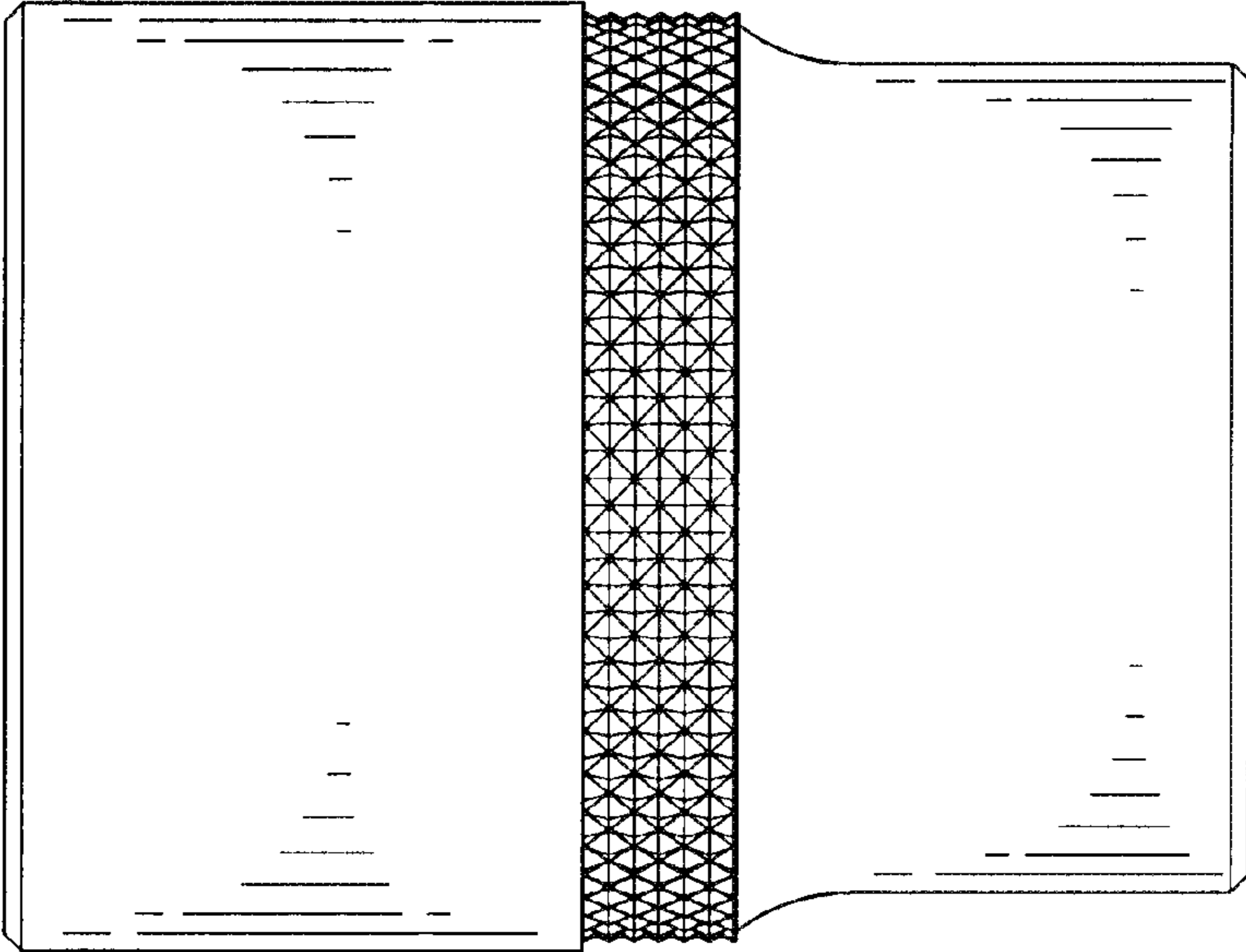


FIG. 2

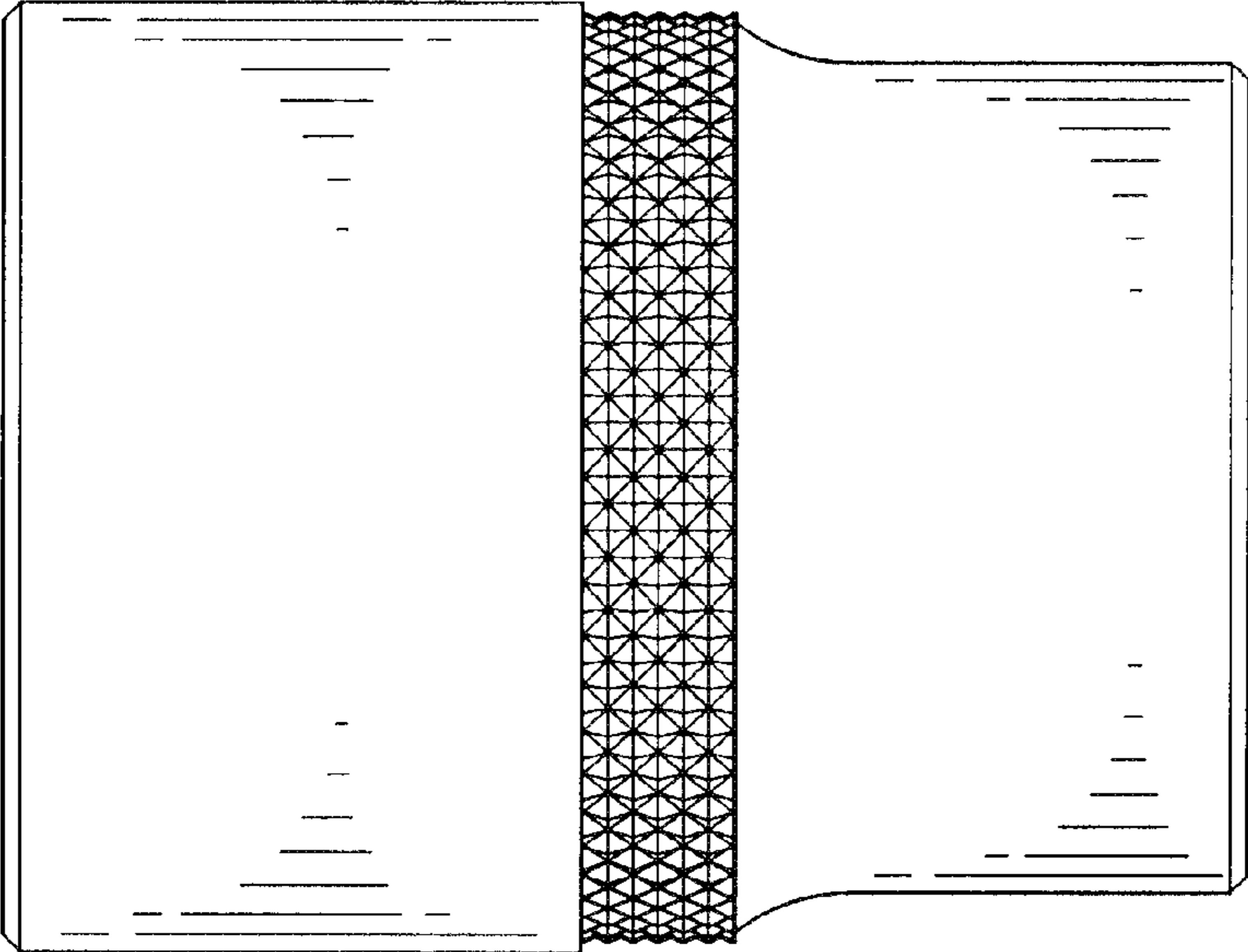


FIG. 3

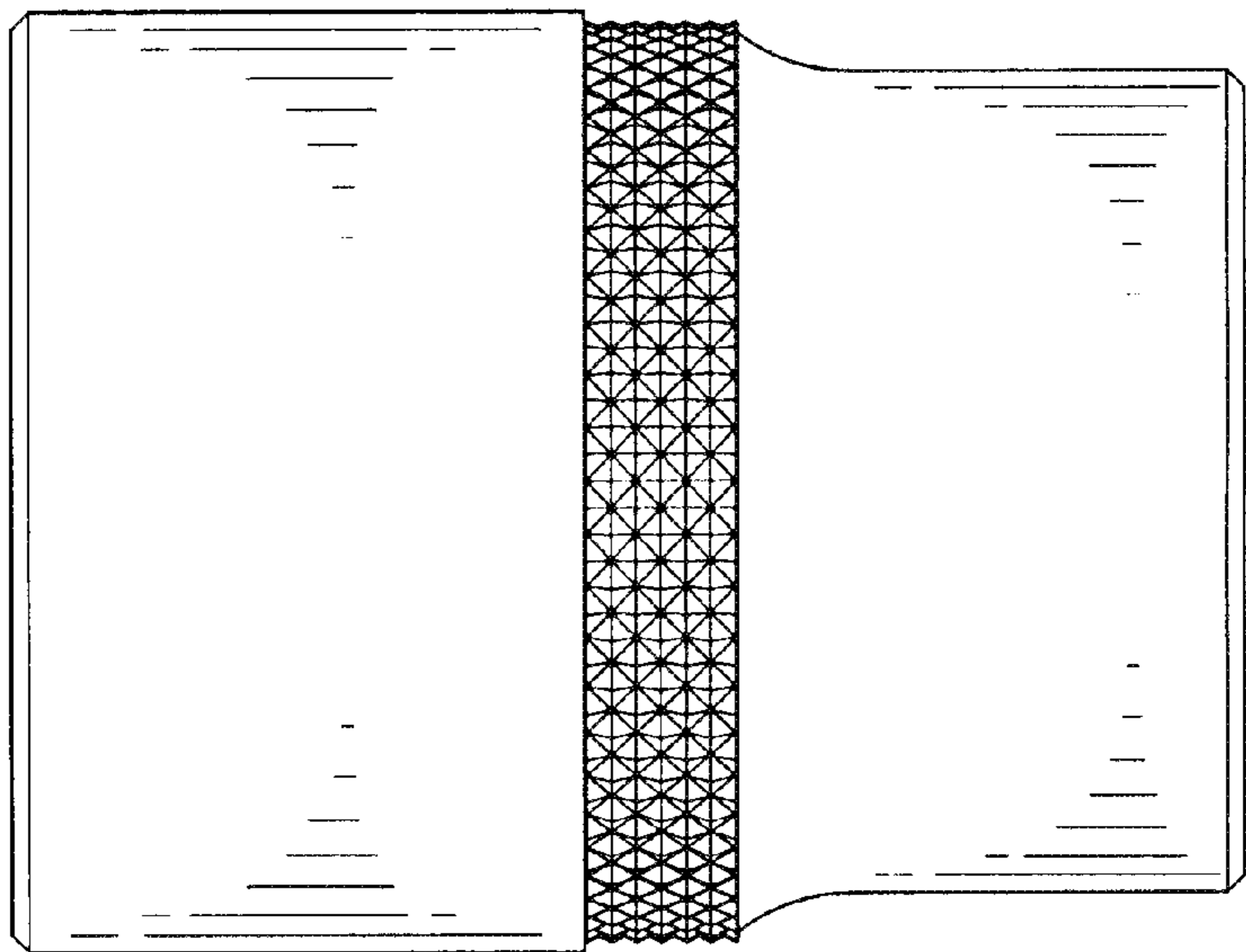


FIG. 5

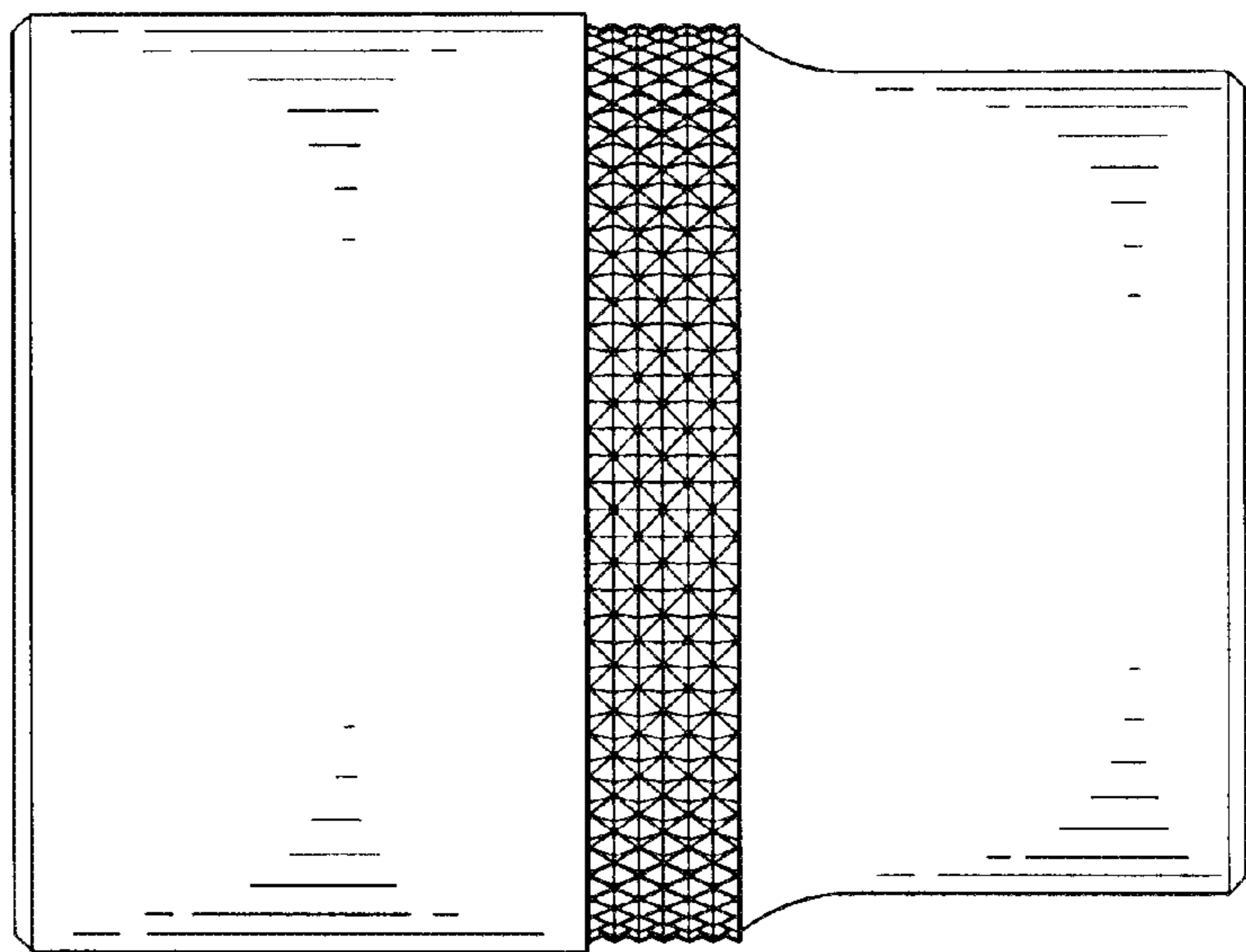


FIG. 4

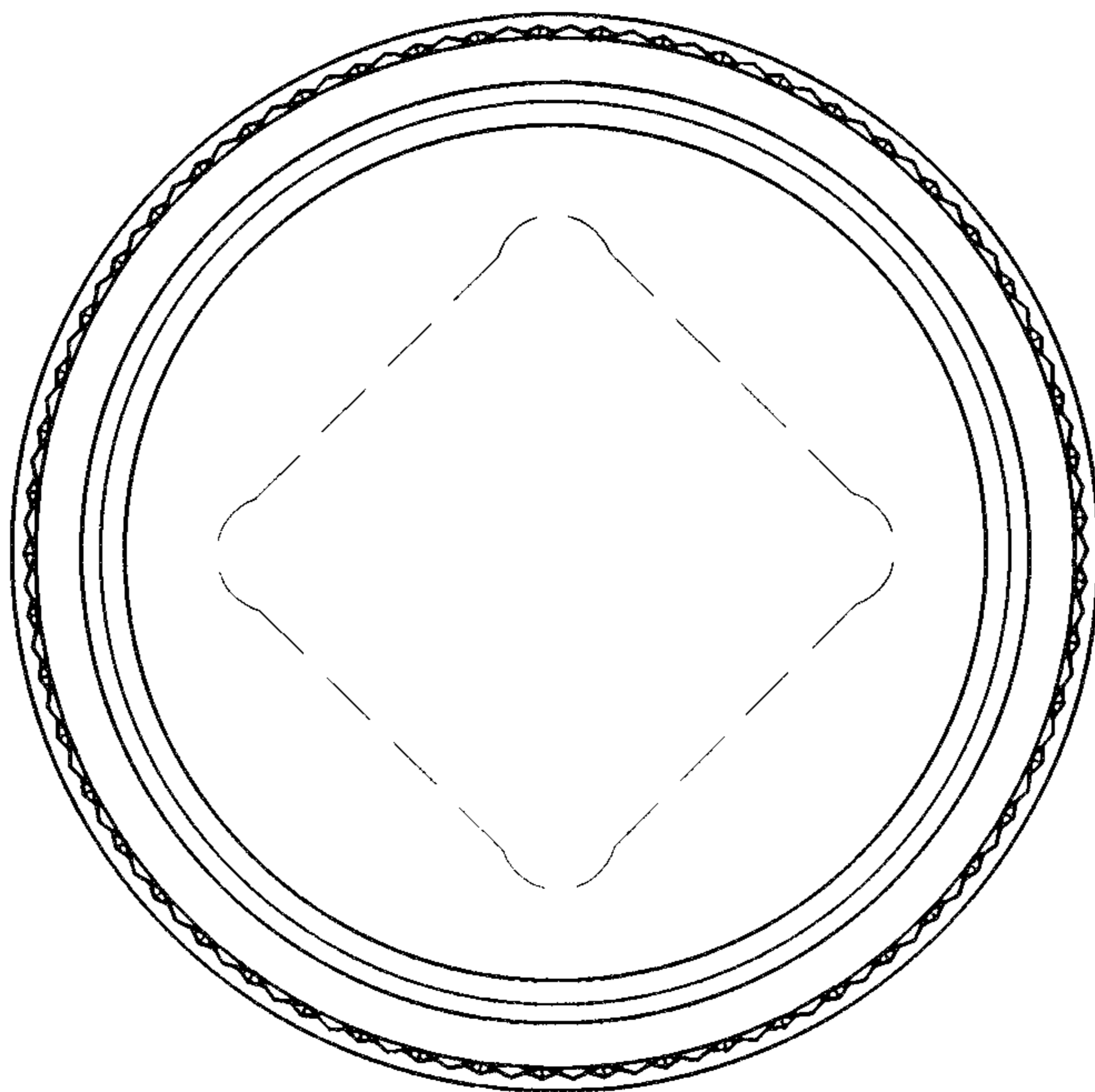


FIG. 7

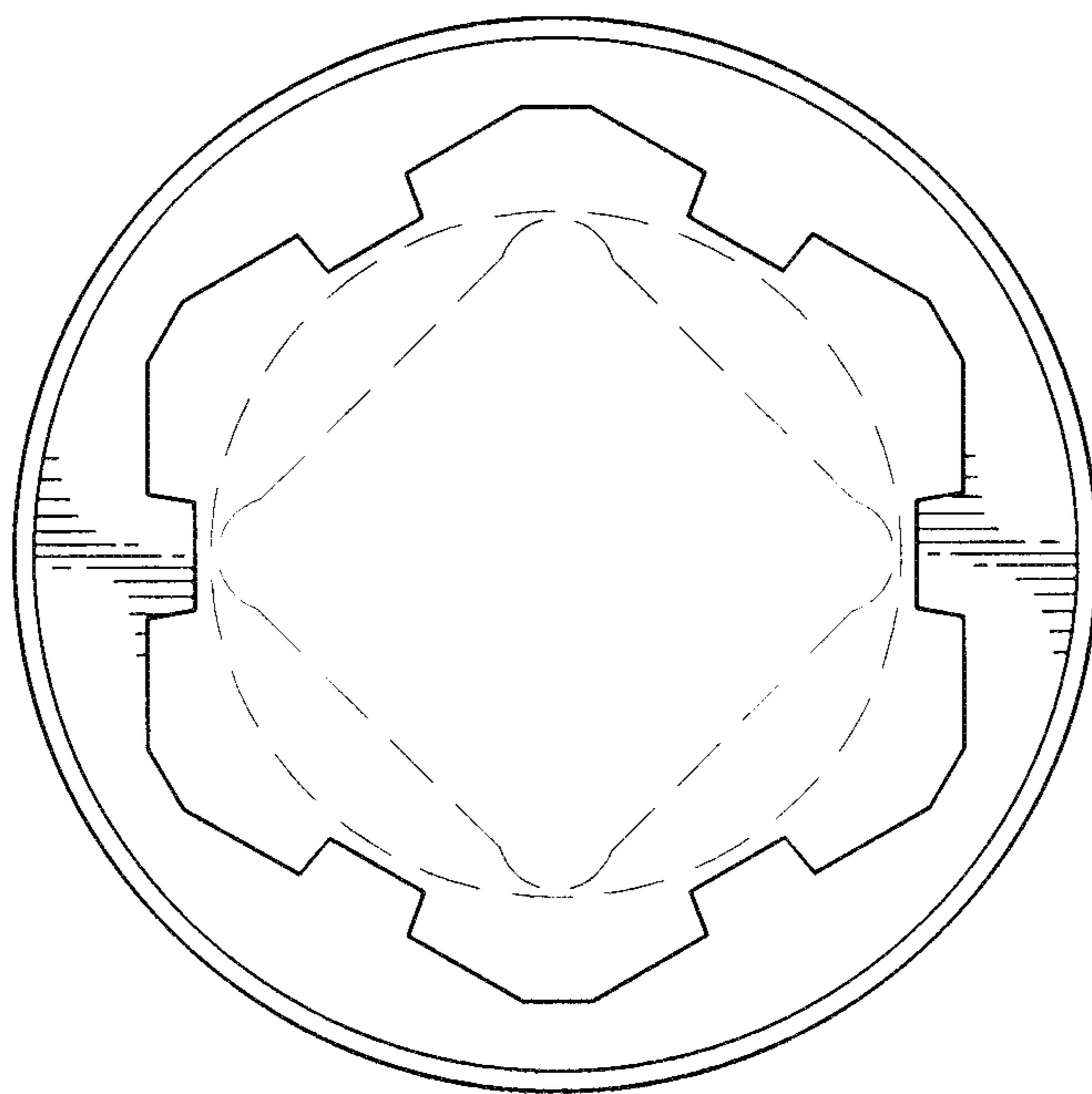


FIG. 6