



US00D749384S

(12) **United States Design Patent**
Chang

(10) **Patent No.:** **US D749,384 S**

(45) **Date of Patent:** **** Feb. 16, 2016**

(54) **RATCH WHEEL**

(71) Applicant: **Chih-Min Chang**, Xiushui Township,
Changhua County (TW)

(72) Inventor: **Chih-Min Chang**, Xiushui Township,
Changhua County (TW)

(**) Term: **14 Years**

(21) Appl. No.: **29/500,223**

(22) Filed: **Aug. 22, 2014**

(51) **LOC (10) Cl.** **08-05**

(52) **U.S. Cl.**

USPC **D8/25; D8/29**

(58) **Field of Classification Search**

USPC D8/17, 21-29; 81/58, 58.2, 119, 124.4,
81/125.1, 186, 121.1

CPC B25B 13/02; B25B 13/08; B25B 13/04;
B25B 13/065

See application file for complete search history.

(56) **References Cited**

U.S. PATENT DOCUMENTS

5,979,274 A * 11/1999 Hsieh 81/60
6,079,299 A * 6/2000 Sundstrom 81/121.1

6,098,501 A * 8/2000 Sundstrom 81/121.1
6,282,993 B1 * 9/2001 Forman et al. 81/63.2
D498,775 S * 11/2004 Hu D15/148
6,874,391 B2 * 4/2005 Hsien 81/60
7,024,967 B1 * 4/2006 Cheng 81/60
D524,615 S * 7/2006 Albertson D8/29
D528,383 S * 9/2006 Albertson D8/28
7,107,879 B1 * 9/2006 Cheng 81/121.1
D597,809 S * 8/2009 Hsieh D8/29

* cited by examiner

Primary Examiner — Randall Gholson

(74) *Attorney, Agent, or Firm* — Muncy, Geissler, Olds &
Lowe, P.C.

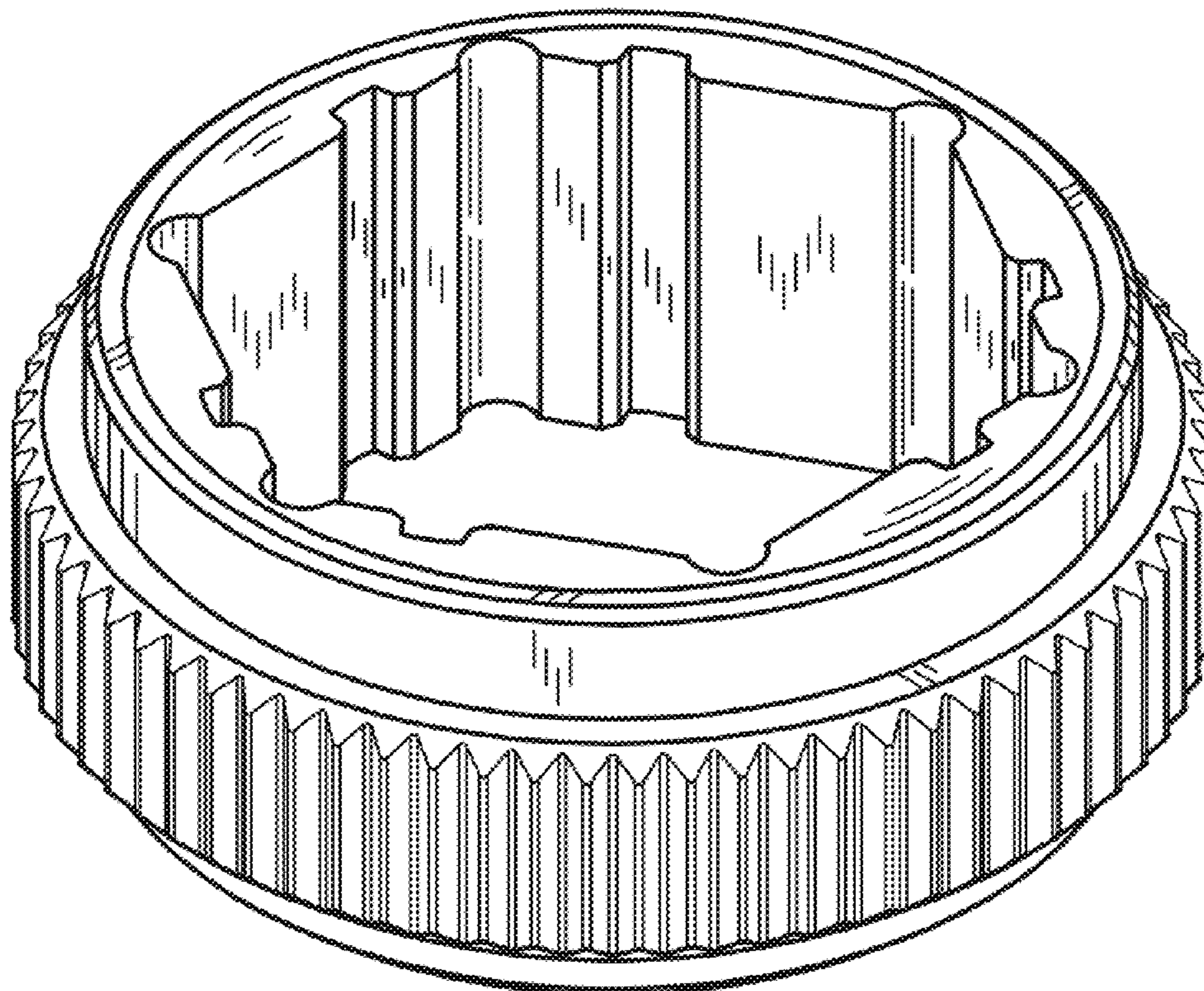
(57) **CLAIM**

The ornamental design for a ratch wheel, as shown.

DESCRIPTION

FIG. 1 shows a perspective view of the present design;
FIG. 2 shows a front view of the present design;
FIG. 3 shows a left side view of the present design;
FIG. 4 shows a top view of the present design; and,
FIG. 5 shows a bottom view of the present design.

1 Claim, 3 Drawing Sheets



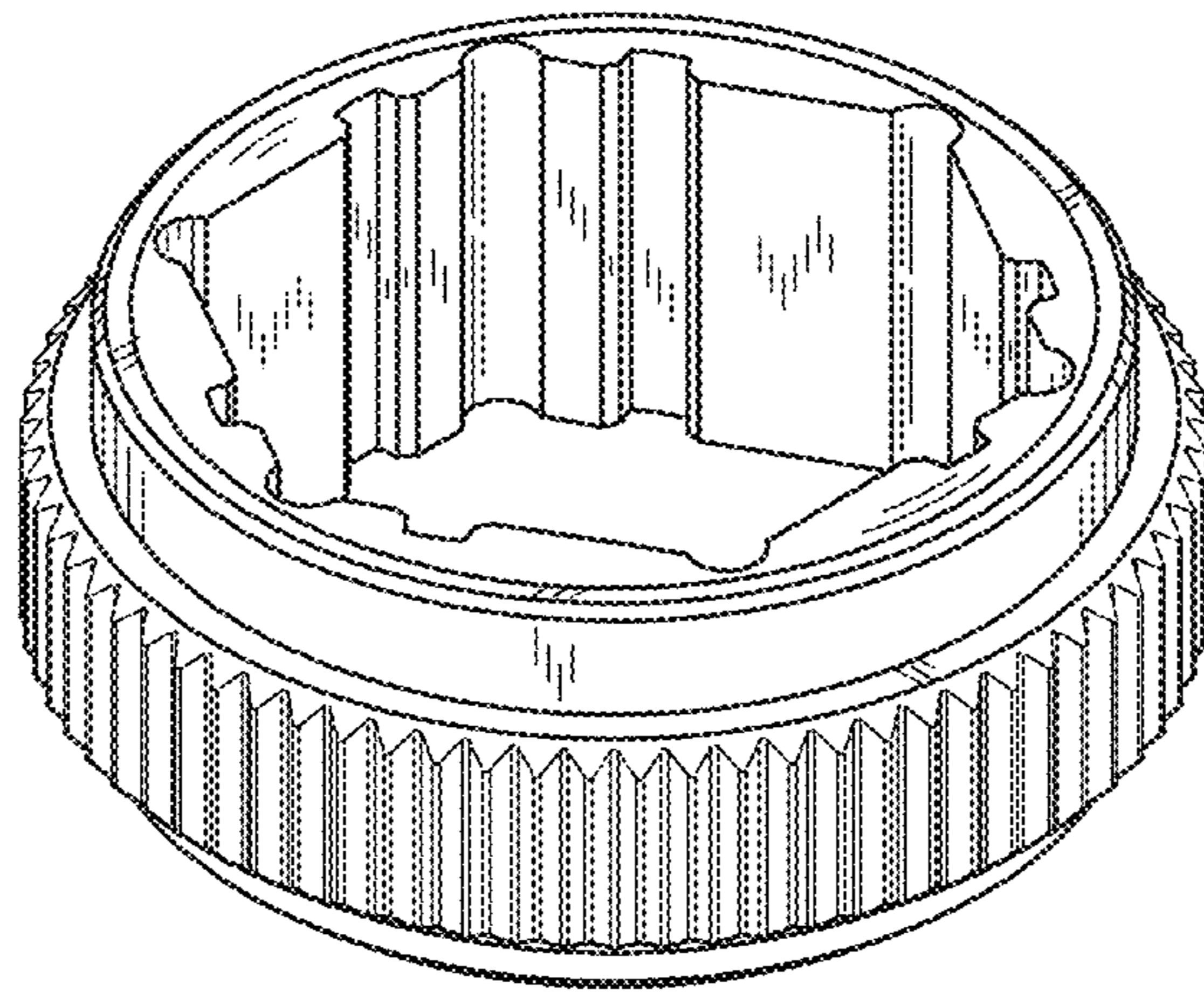


FIG. 1

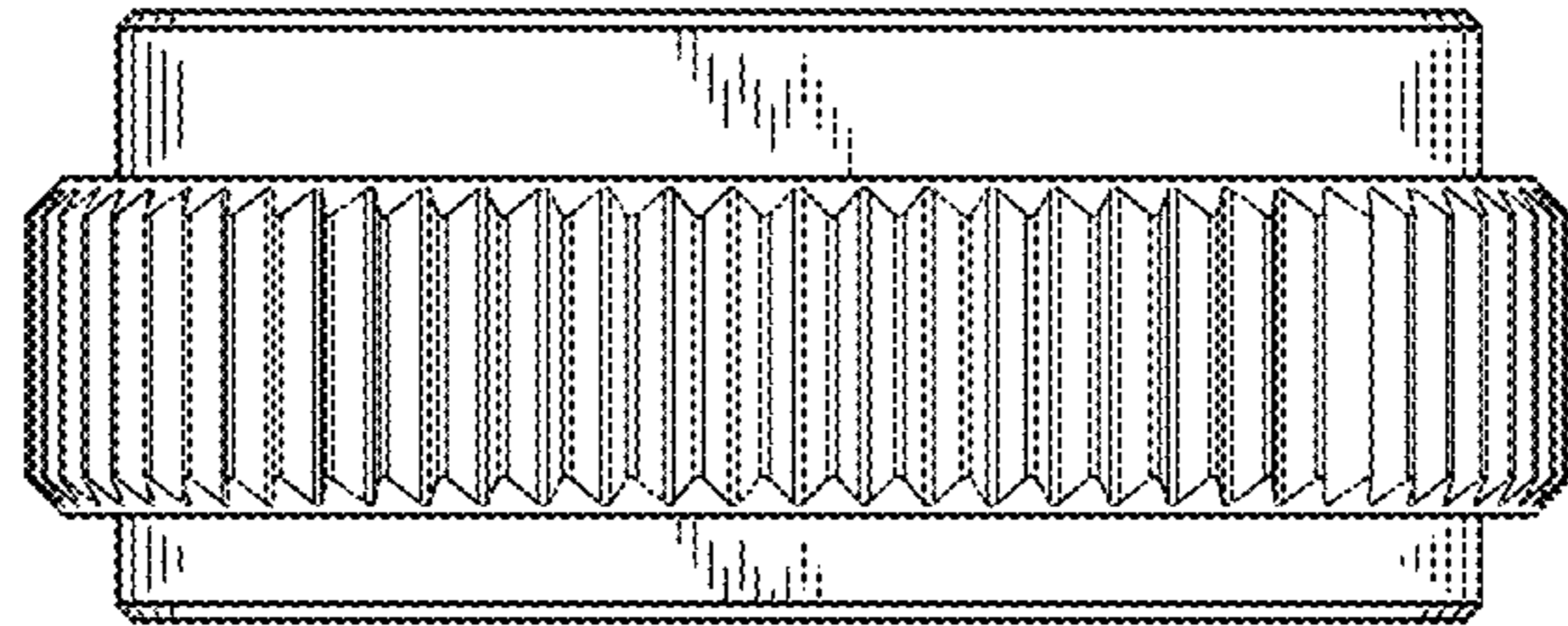


FIG. 2

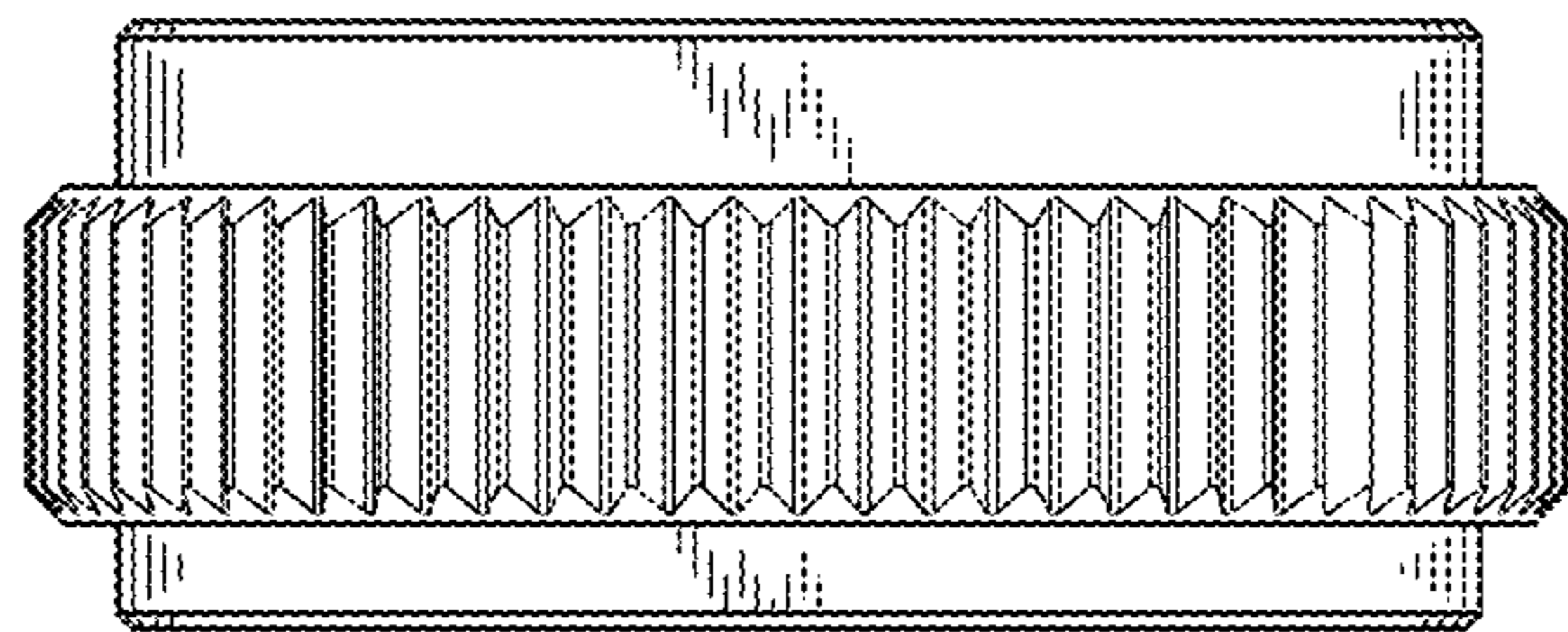


FIG. 3

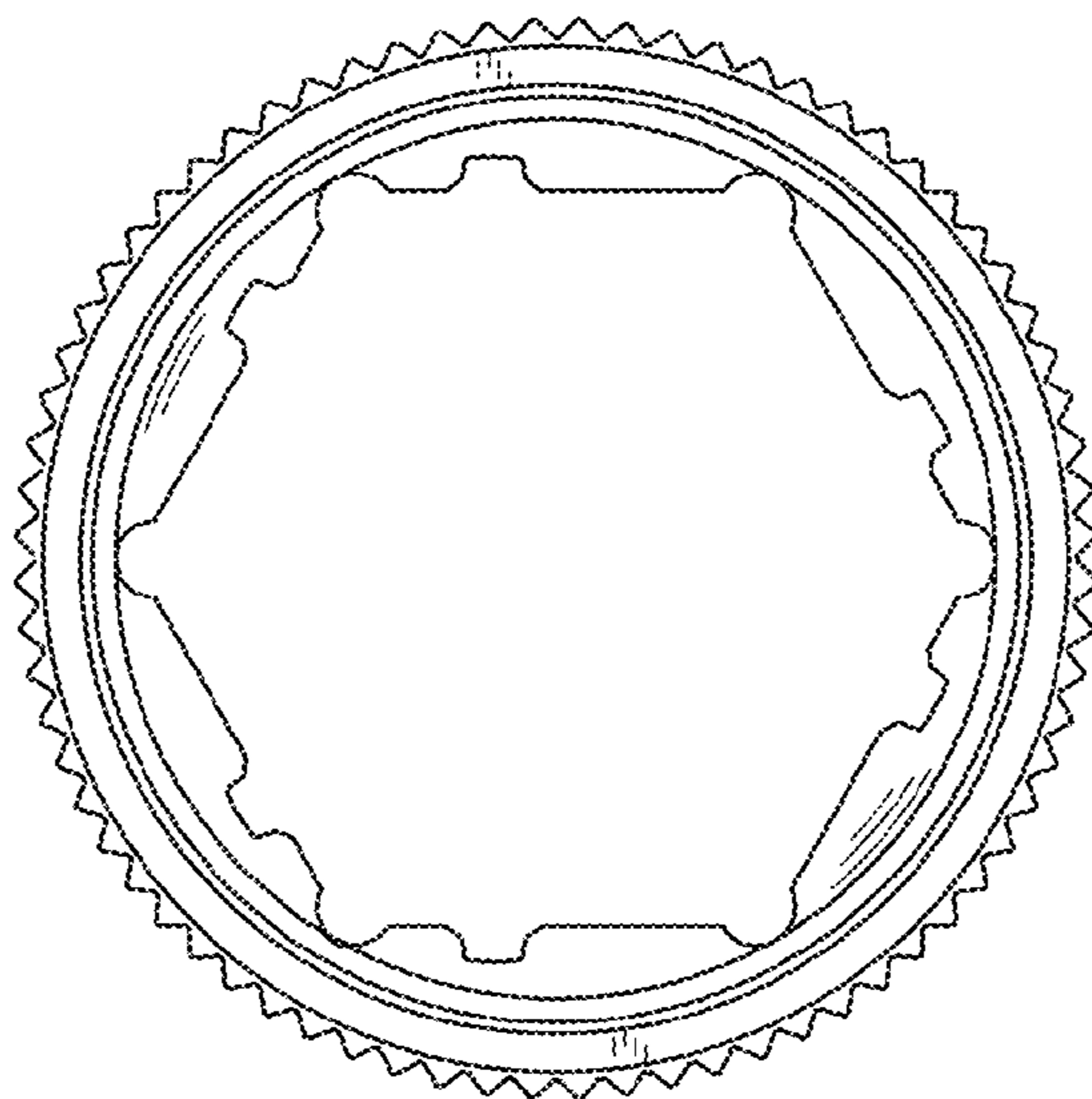


FIG. 4

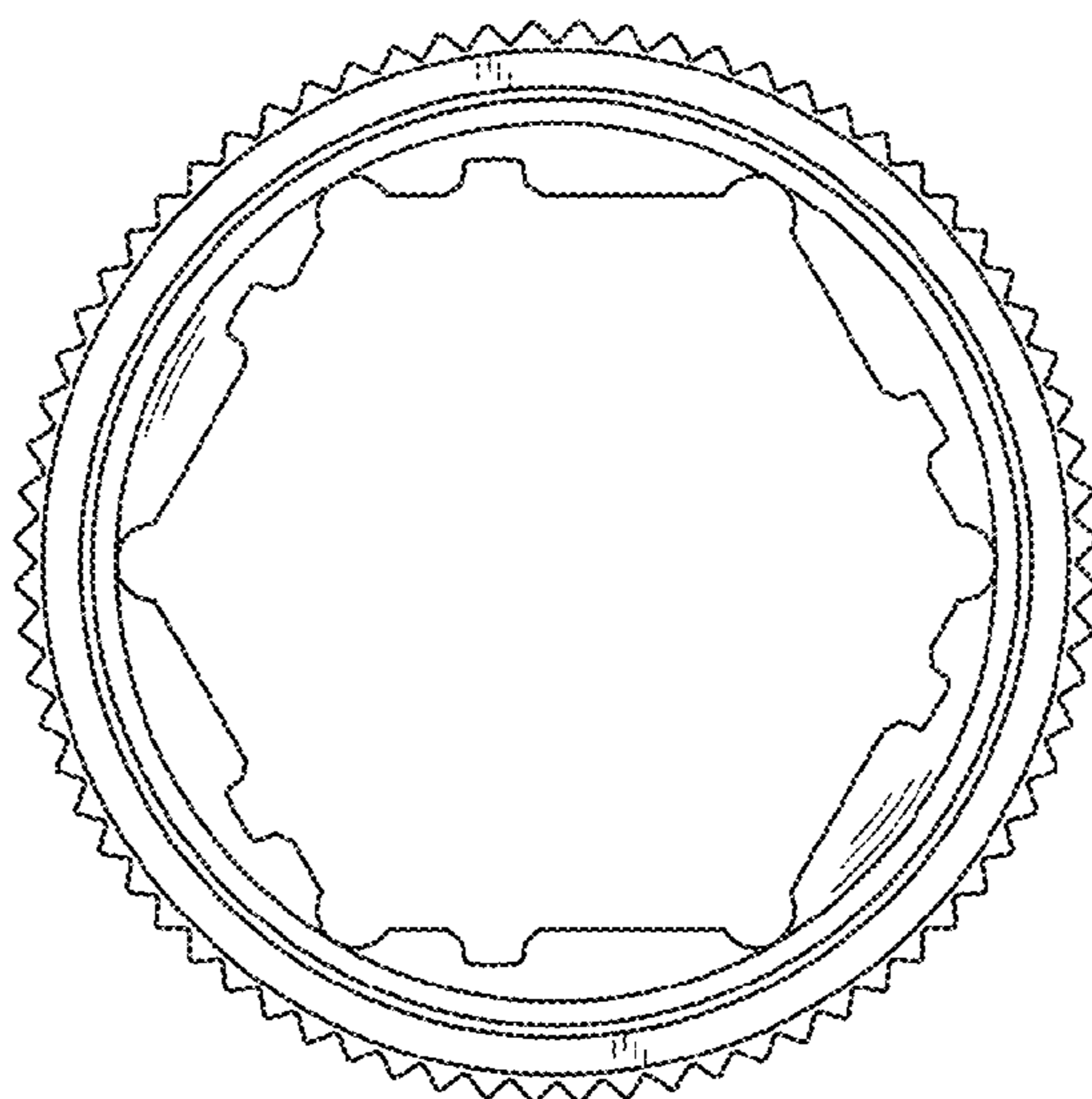


FIG. 5