



US00D749382S

(12) **United States Design Patent**
Matsuoka et al.

(10) **Patent No.:** **US D749,382 S**
(45) **Date of Patent:** **** Feb. 16, 2016**

(54) **TOOL FOR PRINTER CARTRIDGE**

(71) Applicant: **MITSUBISHI KAGAKU IMAGING CORPORATION**, Glendale, CA (US)

(72) Inventors: **Youhei Matsuoka**, Kanagawa (JP);
Masakazu Sugihara, Pasadena, CA (US)

(73) Assignee: **Mitsubishi Kagaku Imaging Corporation**, Glendale, CA (US)

(**) Term: **14 Years**

(21) Appl. No.: **29/463,694**

(22) Filed: **Feb. 10, 2014**

(51) **LOC (10) Cl.** **08-05**

(52) **U.S. Cl.**
USPC **D8/14**

(58) **Field of Classification Search**
USPC D8/14, 21, 29
CPC B25B 13/02; B25B 13/48; B25B 13/50
See application file for complete search history.

(56) **References Cited**

U.S. PATENT DOCUMENTS

5,101,695 A * 4/1992 Johnson 81/124.6
D327,824 S * 7/1992 Bianco, Sr. D8/21

5,542,321 A * 8/1996 Fuca 81/125.1
D402,517 S * 12/1998 Gracia et al. D8/29
5,996,447 A * 12/1999 Bayouth 81/176.2
D432,878 S * 10/2000 Gray D8/21
D438,767 S * 3/2001 Luxon et al. D8/21
D464,545 S * 10/2002 Marty et al. D8/21
D510,847 S * 10/2005 McKnight D8/29
D552,442 S * 10/2007 Hutchings D8/29
D622,118 S * 8/2010 Patti D8/29
D684,026 S * 6/2013 Helfenstein D8/29

* cited by examiner

Primary Examiner — Phillip S Hyder

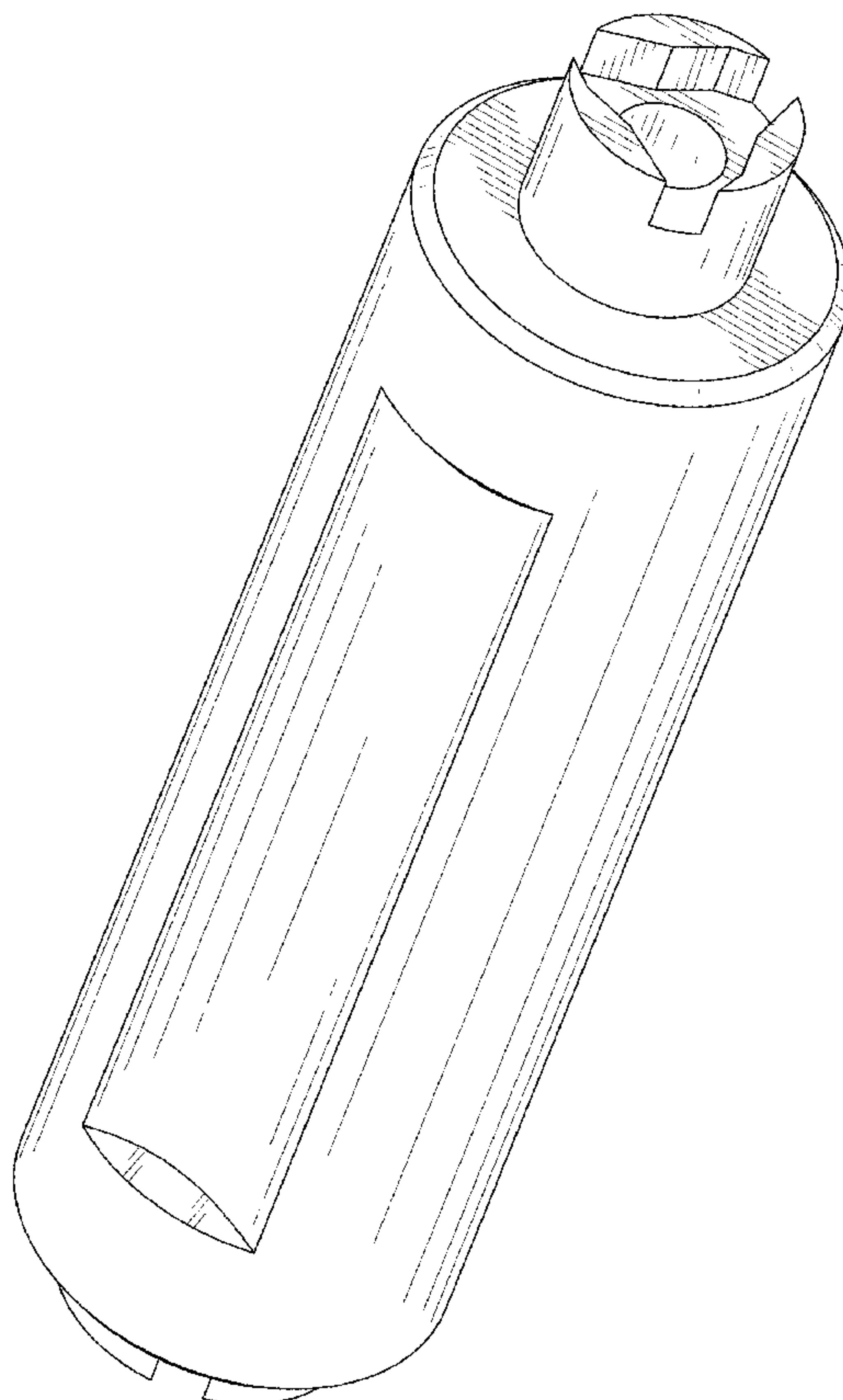
(57) **CLAIM**

The ornamental design for a tool for printer cartridge, as shown and described.

DESCRIPTION

FIG. 1 is a front perspective view of the design for the tool for printer cartridge;
FIG. 2 is a front view of the design of the tool of FIG. 1;
FIG. 3 is a rear view of the design of the tool of FIG. 1;
FIG. 4 is a left side view of the design of the tool of FIG. 1;
FIG. 5 is a right side view of the design of the tool of FIG. 1;
FIG. 6 is a top view of the design of the tool of FIG. 1; and,
FIG. 7 is a bottom view of the design of the tool of FIG. 1.

1 Claim, 6 Drawing Sheets



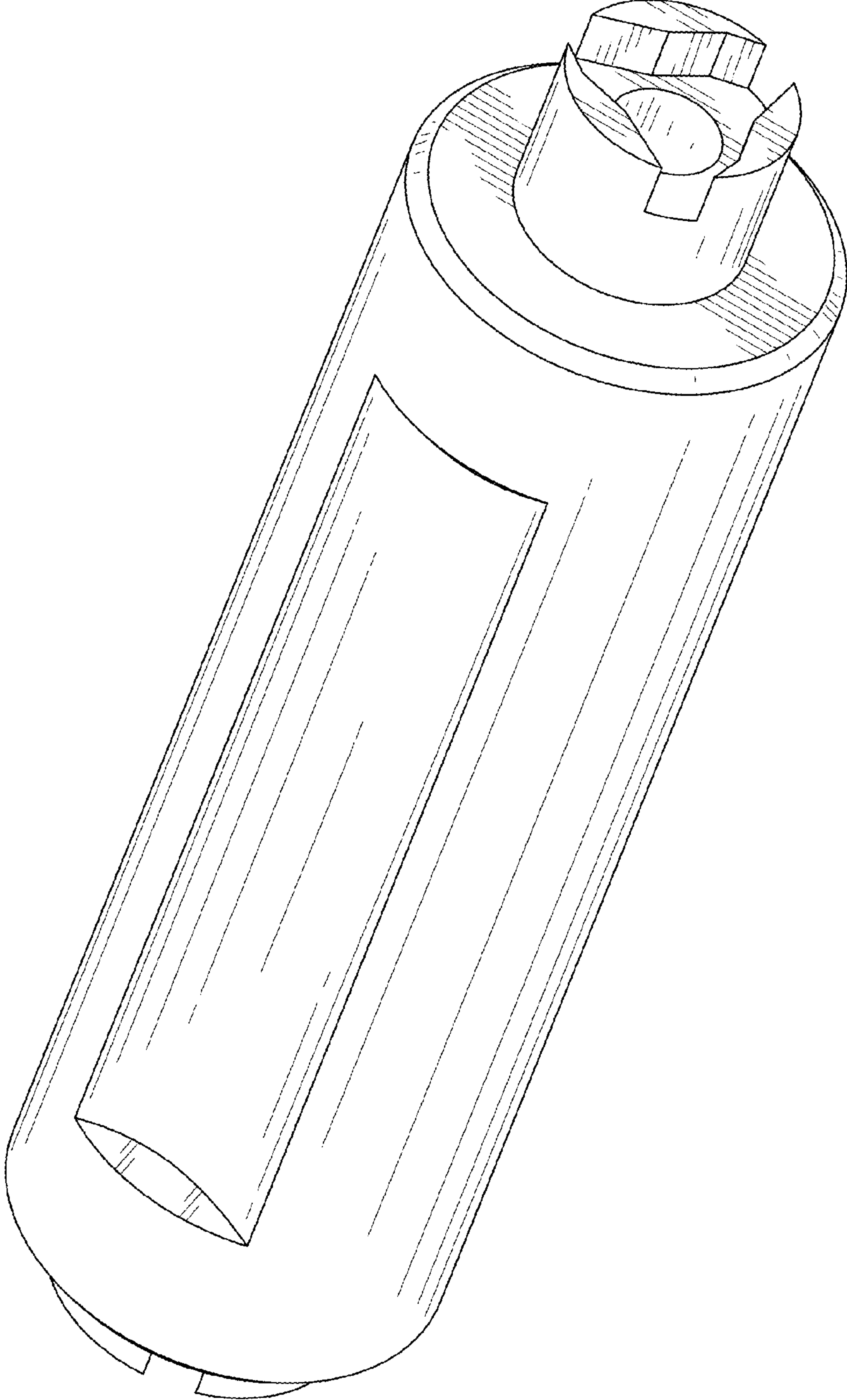


FIG. 1

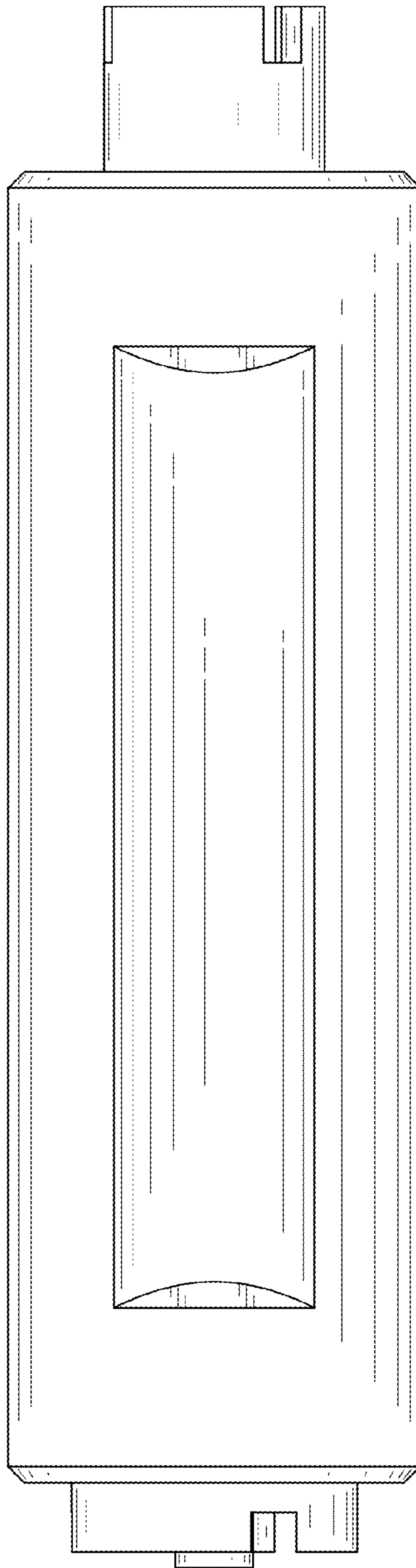


FIG. 2

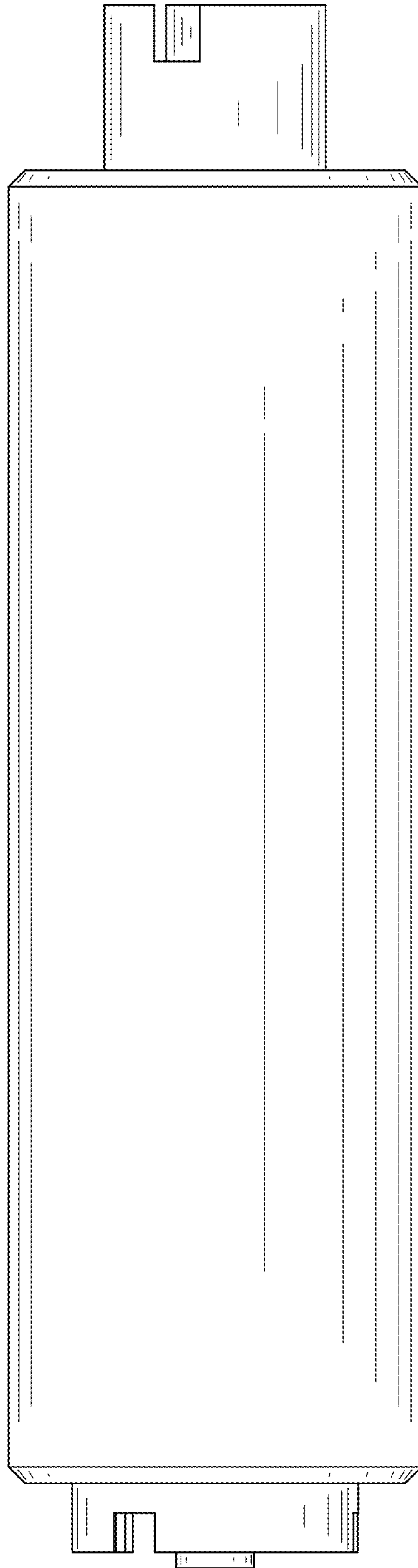


FIG. 3

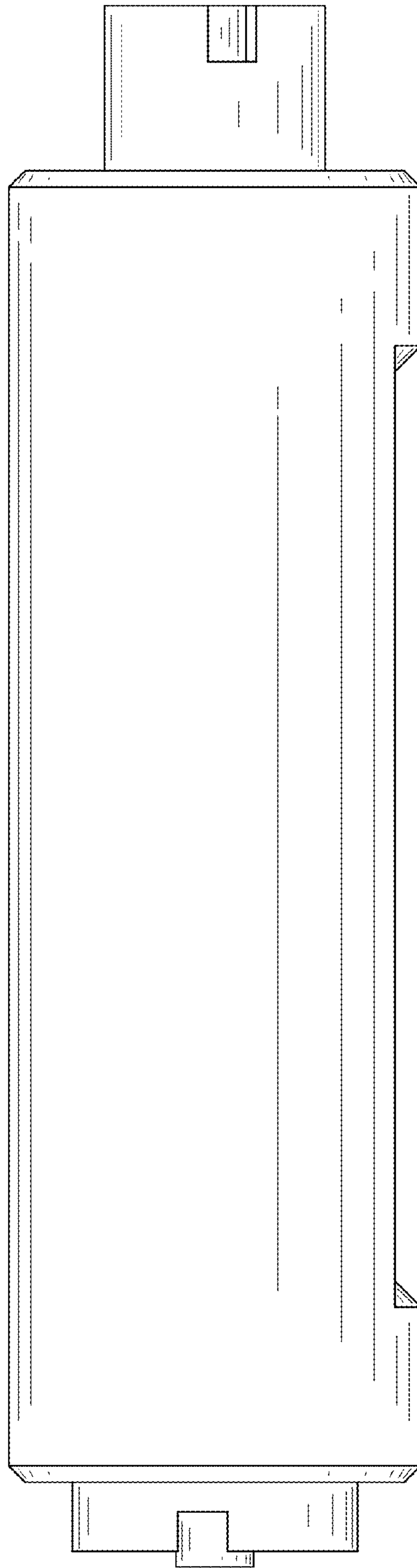


FIG. 4

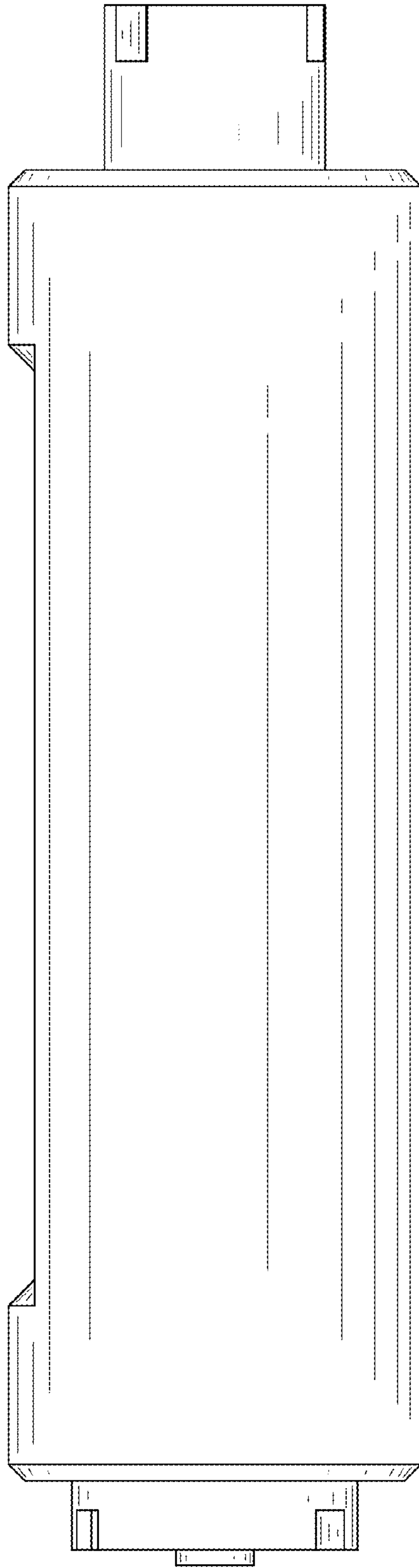


FIG. 5

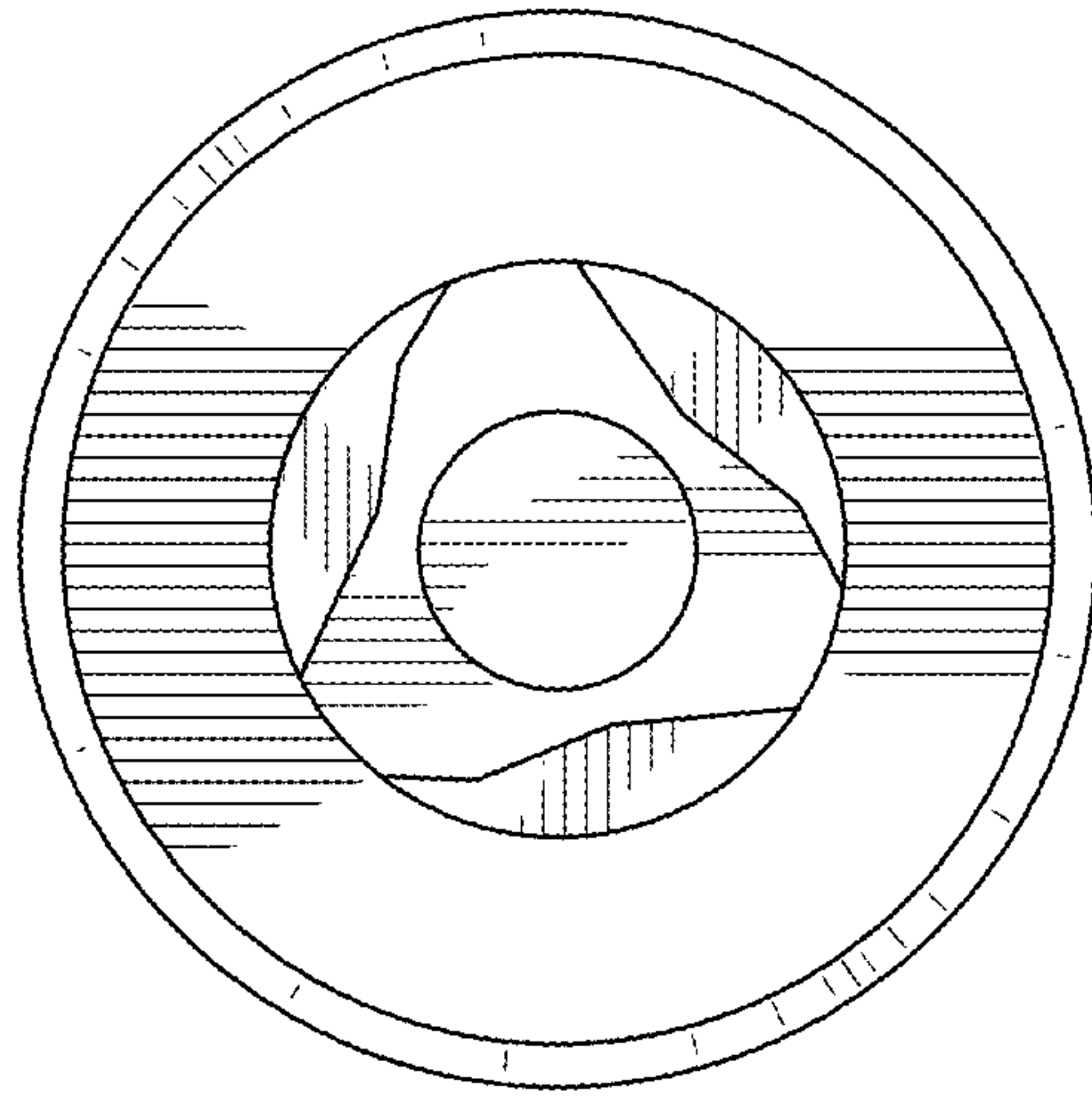


FIG. 6

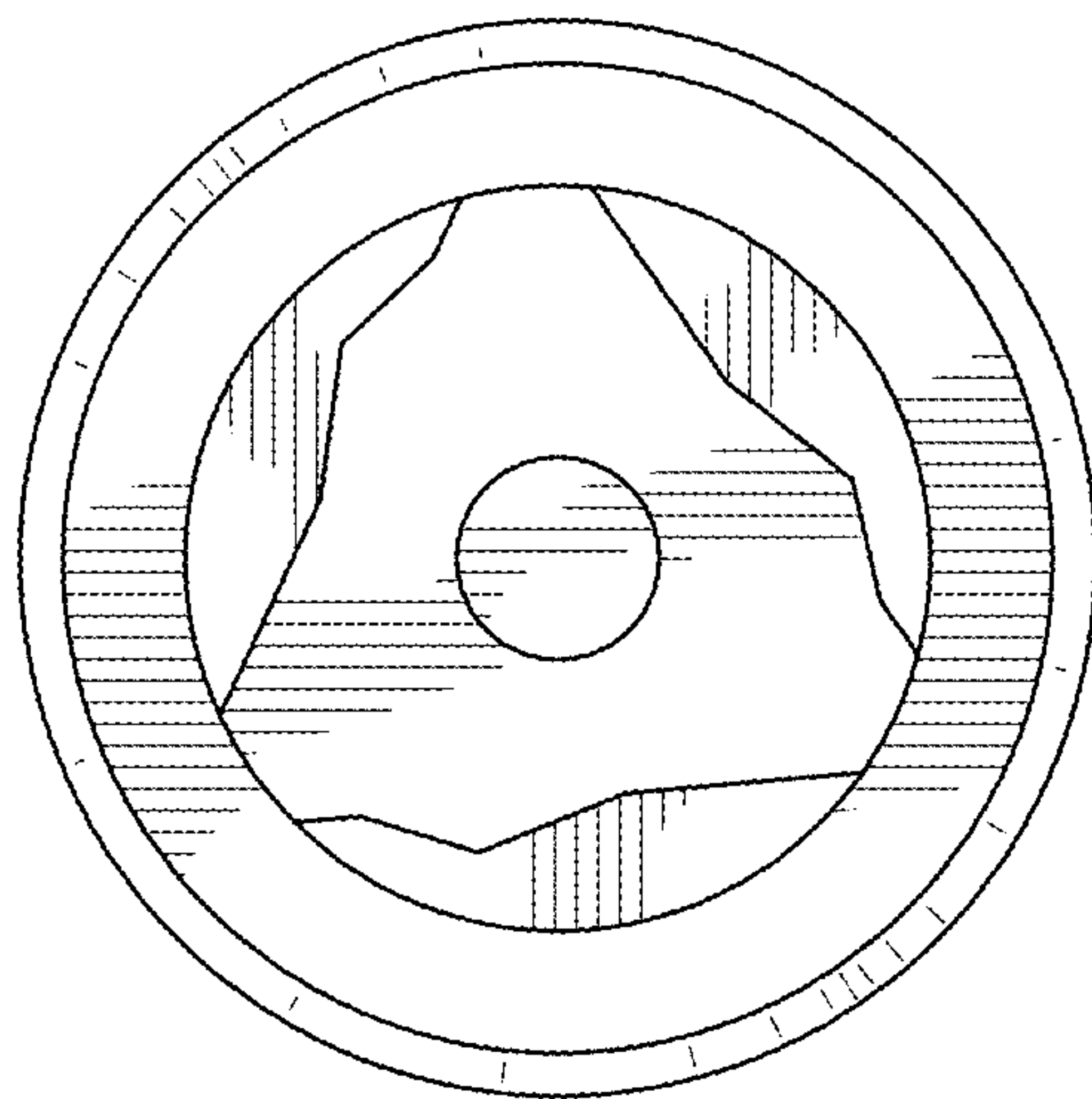


FIG. 7