



US00D749381S

(12) **United States Design Patent**
Magri

(10) **Patent No.:** **US D749,381 S**

(45) **Date of Patent:** **** Feb. 16, 2016**

(54) **TRAY FOR CUPS**

(71) Applicant: **Gold Plast S.p.A.**, Arcisate VA (IT)

(72) Inventor: **Gianluca Magri**, Besano VA (IT)

(73) Assignee: **Gold Plast S.p.A.**, Arcisate VA (IT)

(**) Term: **15 Years**

(21) Appl. No.: **29/536,115**

(22) Filed: **Aug. 13, 2015**

Related U.S. Application Data

(62) Division of application No. 29/488,739, filed on Apr. 23, 2014.

Foreign Application Priority Data

Nov. 29, 2013 (WO) DM/082 322

(51) **LOC (10) Cl.** **07-06**

(52) **U.S. Cl.**
USPC **D7/701; D7/601; D7/552.2; D24/230**

(58) **Field of Classification Search**
USPC D7/505, 507, 504, 552.2, 553.4, 553.6, D7/553.7, 553.8, 554.4, 558, 635, 645, D7/647, 400, 403, 410, 213, 700, 413, 690, D7/379, 551.1, 631, 506, 560, 566, 571, D7/577, 579, 584, 600.1, 601, 602, 603, D7/604, 606, 609, 611, 614, 708.1, 622, D7/537, 667, 515, 513, 396.1, 599, 586, D7/572, 578, 555, 641, 354, 567, 701, 640, D7/707, 550.1, 630, 554.1; D6/403, 404, D6/555, 556, 557, 559; 220/495.03, 220/592.04, 737; D10/46.2; D11/143, 144, D11/146, 148; D9/711, 712; D30/133; D24/230; D19/85; 206/217
CPC A47J 31/005; A47J 31/06; A47J 19/02; B01D 35/02; A47G 19/2227; A47G 23/06; A23G 9/288; A47B 13/00

See application file for complete search history.

(56) **References Cited**

U.S. PATENT DOCUMENTS

1,468,563	A *	9/1923	Girard	A47B 13/00 248/174
1,992,712	A *	2/1935	Mojonnier	A23G 9/288 211/85.4
2,906,412	A *	9/1959	Tanner	A47G 23/06 211/74
D248,713	S *	8/1978	Dedrick	D11/143
D248,714	S *	8/1978	Dedrick	D11/143
D255,752	S *	7/1980	Kallstrom	D7/552.2
5,207,150	A *	5/1993	Wellman	A21B 5/026 249/120
D442,027	S *	5/2001	Peters	D7/397
D551,038	S *	9/2007	Evaimalo	D7/708
D597,370	S *	8/2009	Watkins	D7/354
D598,566	S *	8/2009	Allaer	D24/230
D650,636	S *	12/2011	Roth	D7/600.1
D686,784	S *	7/2013	Elliott	D30/133
D708,763	S *	7/2014	Smeja	D24/229
D717,598	S *	11/2014	Lu	D7/409
D734,867	S *	7/2015	Smeja	D24/230

* cited by examiner

Primary Examiner — Marianne Pandozzi

Assistant Examiner — Jae Liang

(74) *Attorney, Agent, or Firm* — Lucas & Mercanti LLP

(57) **CLAIM**

The ornamental design for a tray for cups, as shown and described.

DESCRIPTION

FIG. 1 is a top plan view of a tray for cups showing my new design;

FIG. 2 is a left side view thereof, the right side view being a mirror image thereof;

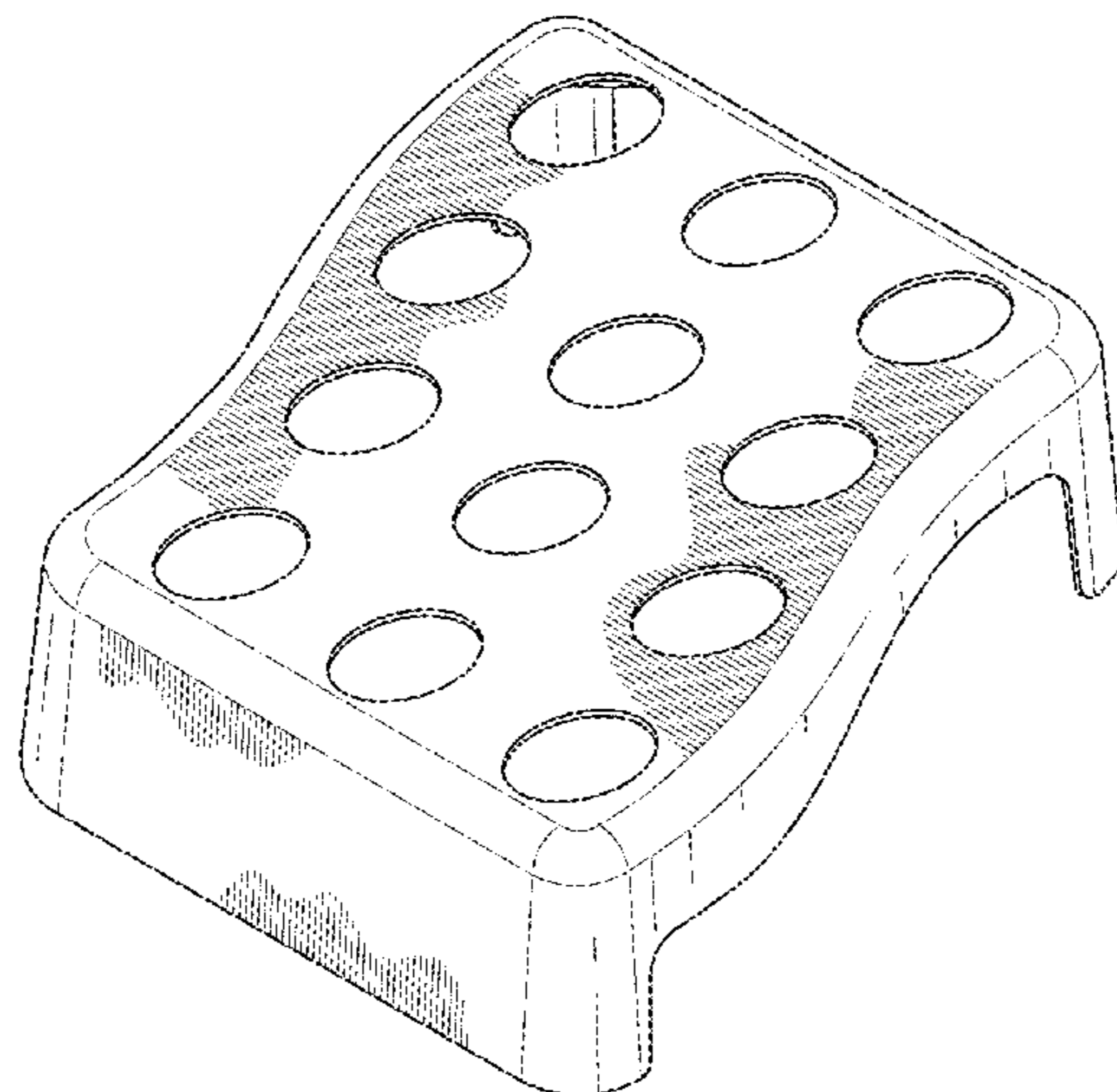
FIG. 3 is a bottom plan view thereof;

FIG. 4 is a rear view thereof;

FIG. 5 is a front perspective view thereof; and,

FIG. 6 is a side perspective view thereof.

1 Claim, 2 Drawing Sheets



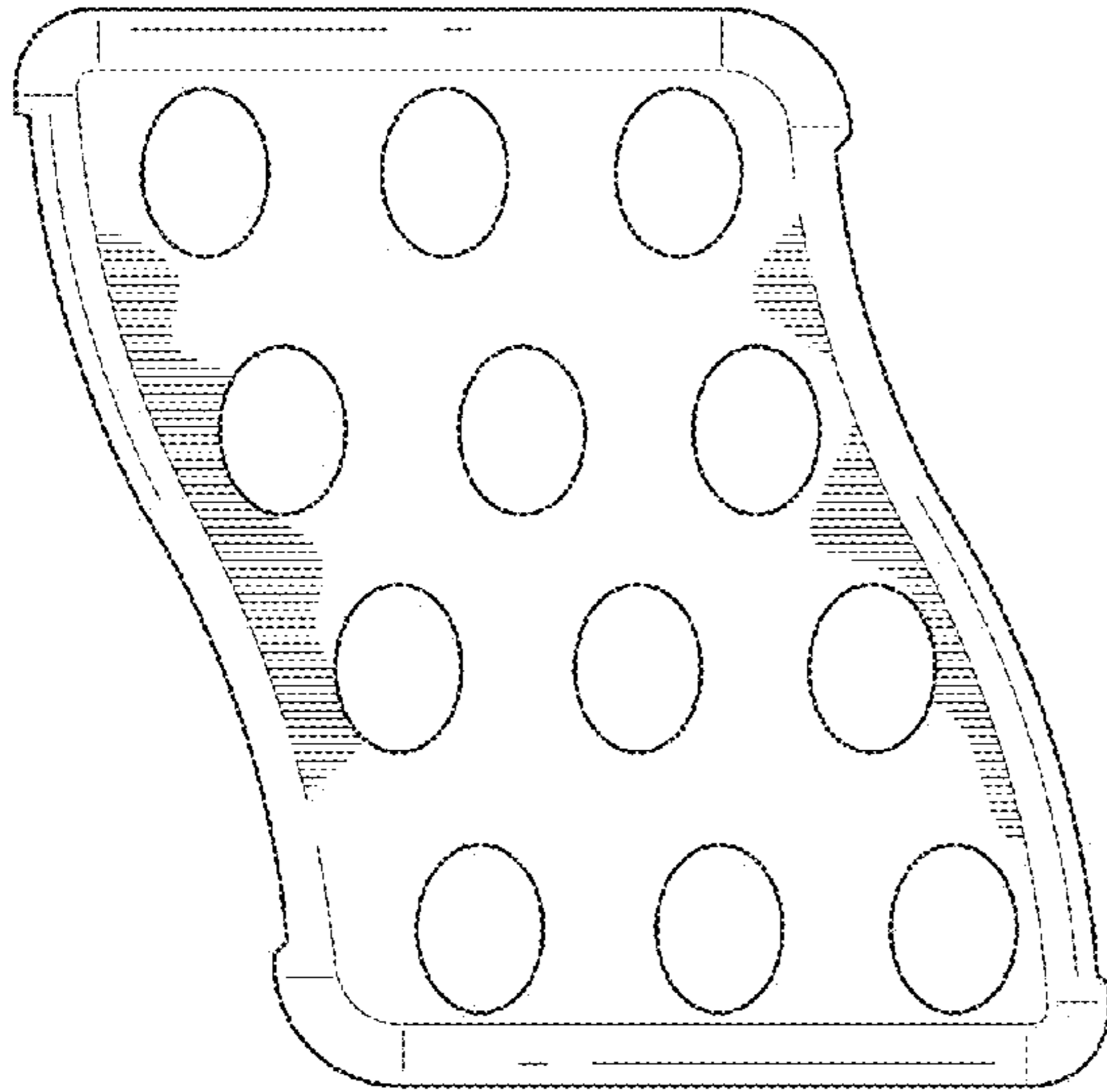


FIG. 1

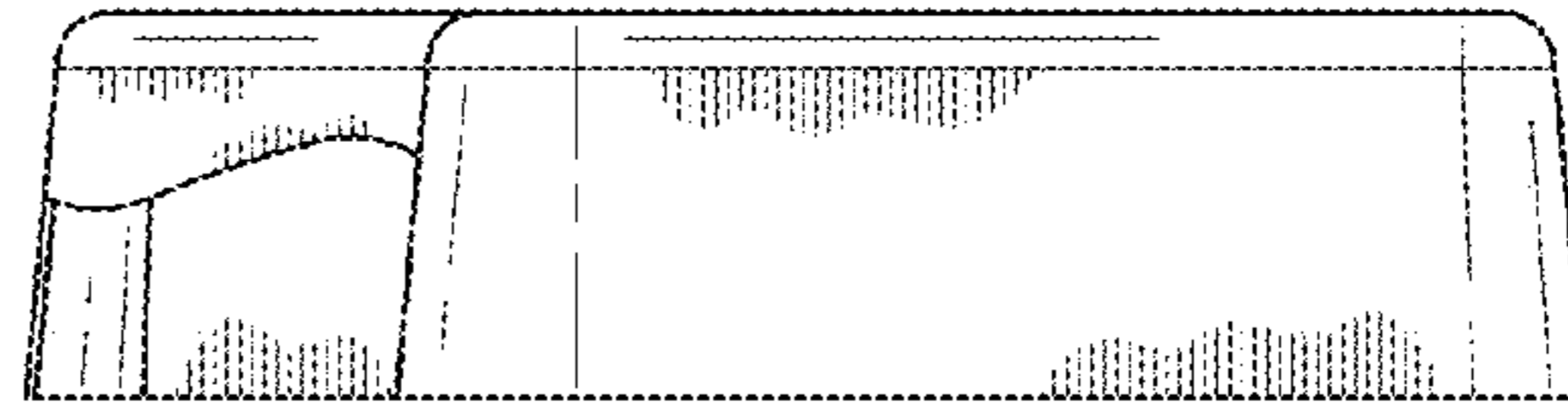


FIG. 2

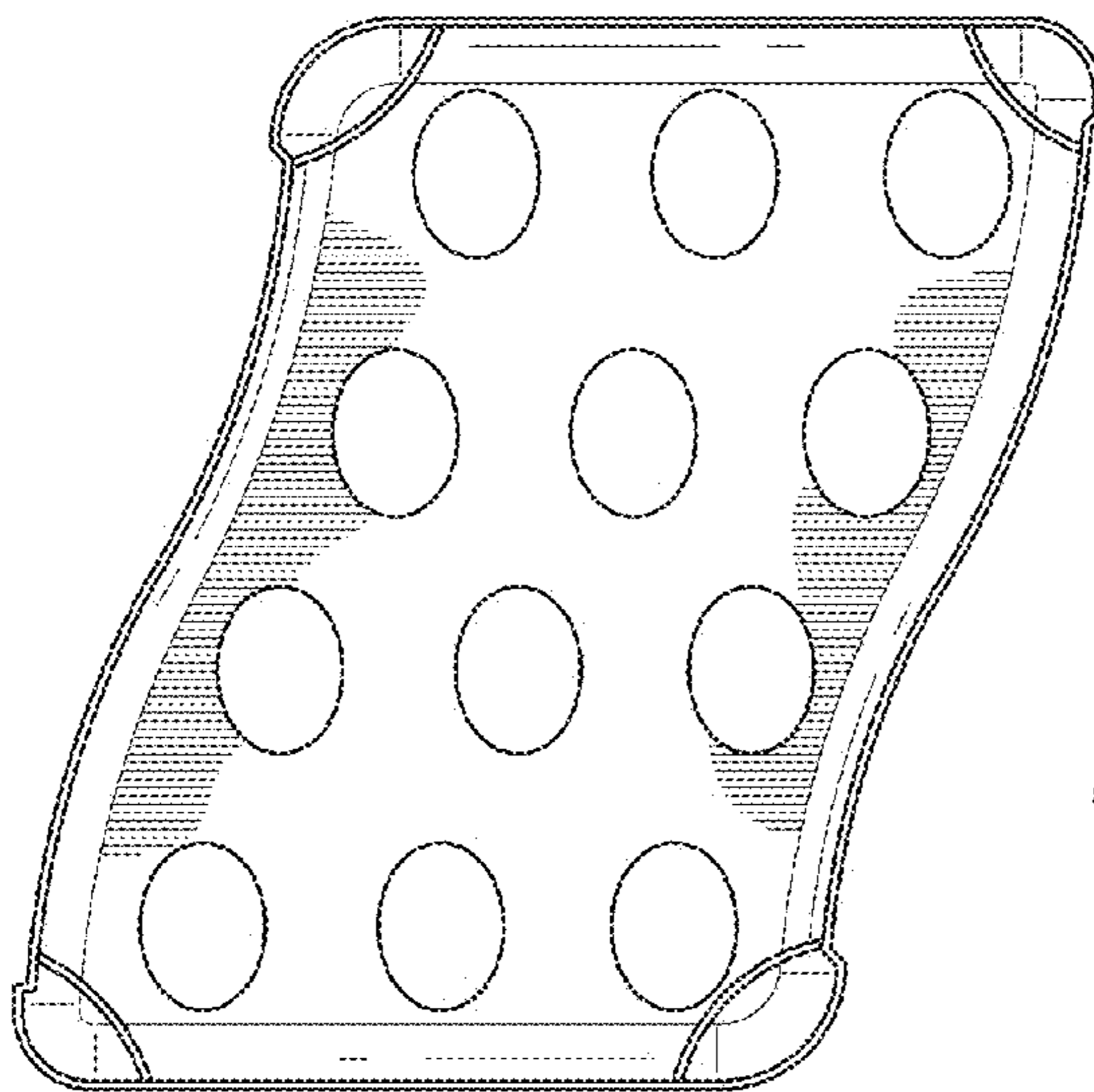


FIG. 3

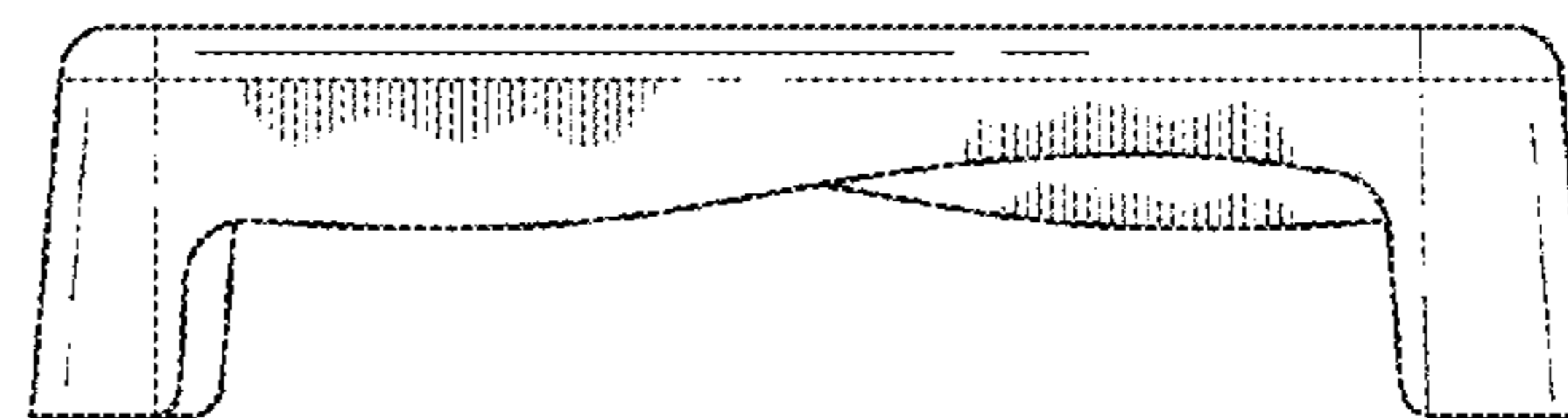


FIG. 4

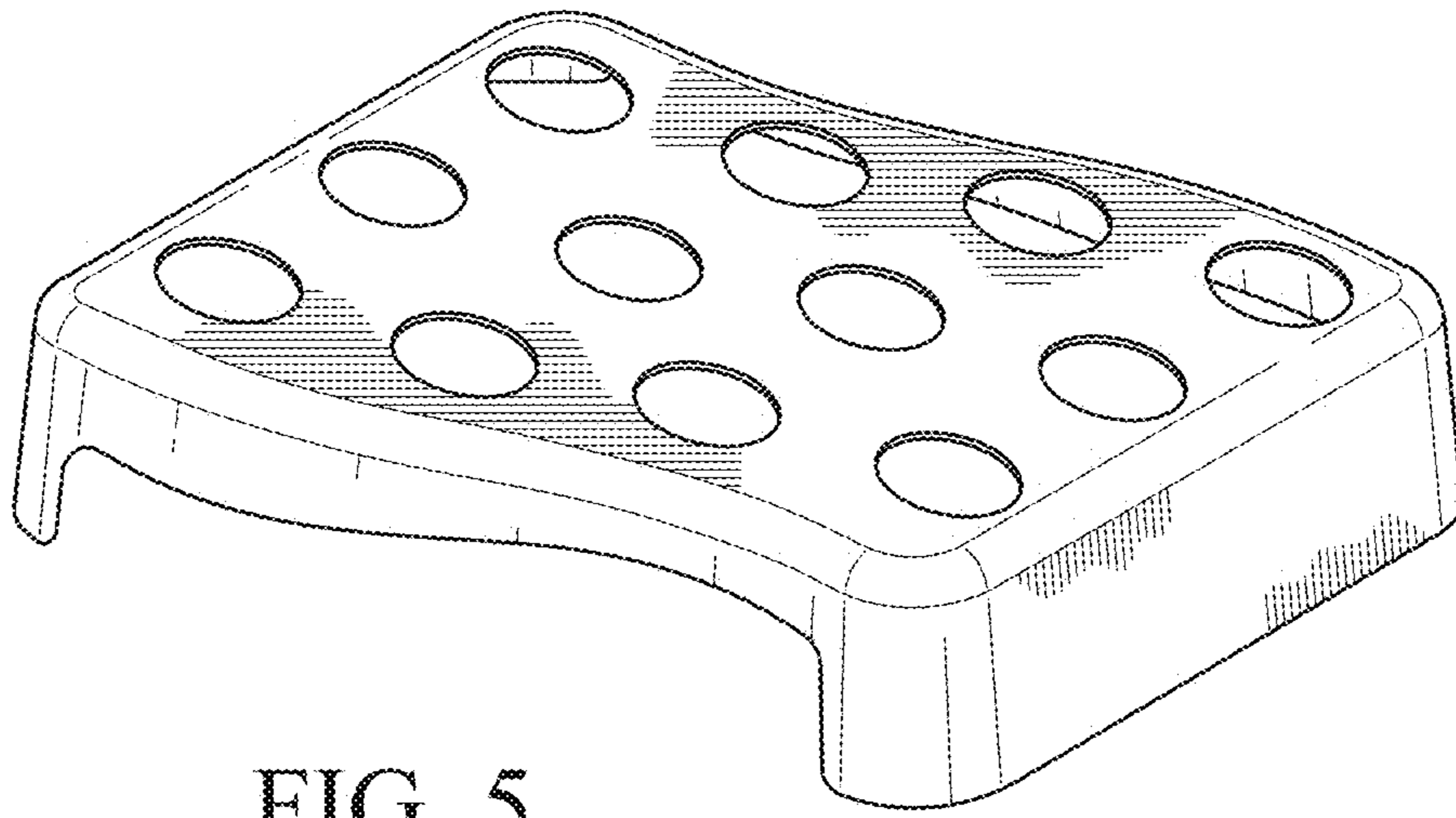


FIG. 5

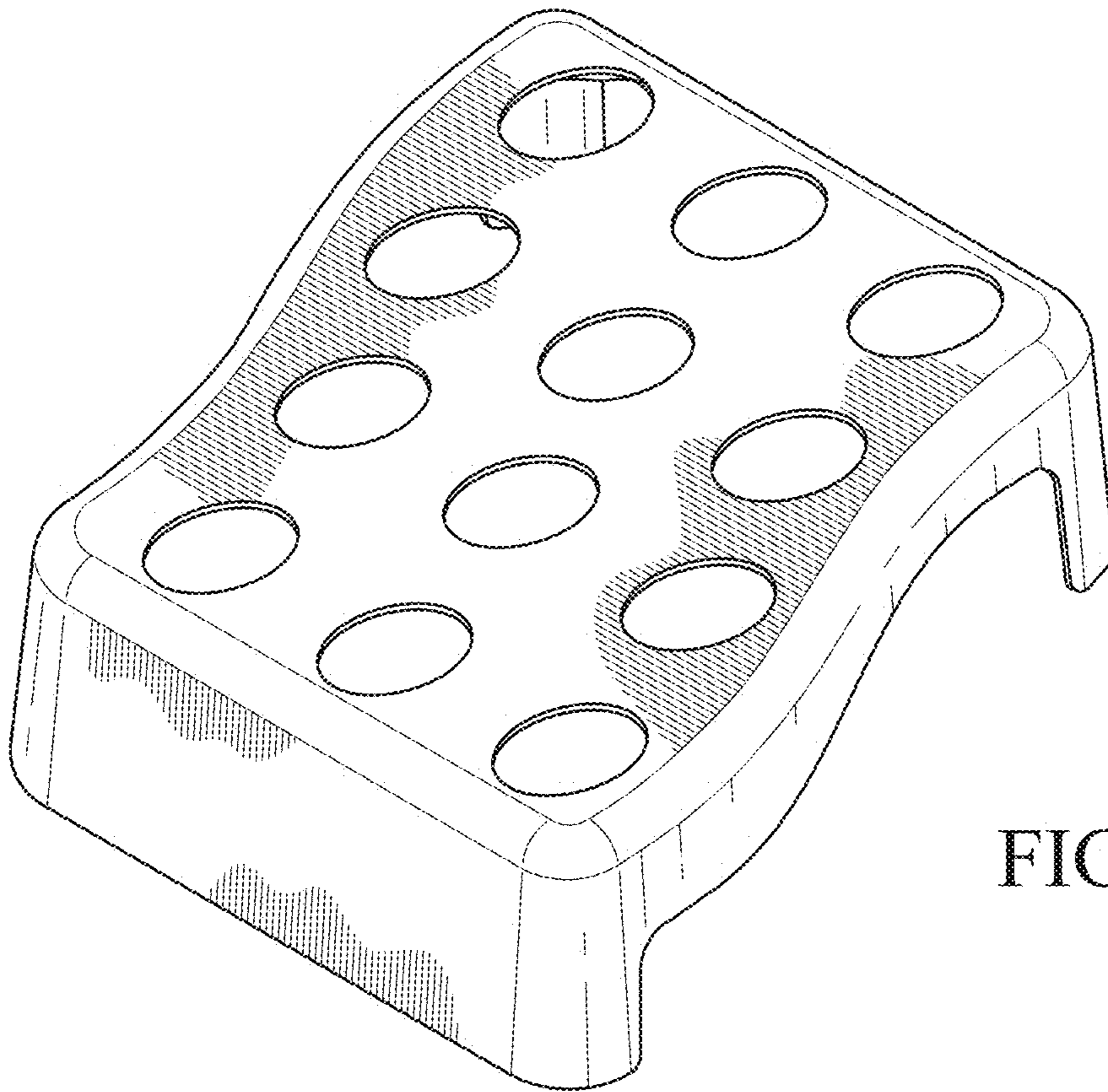


FIG. 6