



US00D749380S

(12) **United States Design Patent**
Choi et al.

(10) **Patent No.:** **US D749,380 S**
(45) **Date of Patent:** **** Feb. 16, 2016**

(54) **WINE RACK**

(71) Applicant: **Samsung Electronics Co., Ltd.**,
Suwon-Si, Gyeonggi-Do (KR)

(72) Inventors: **EunHa Choi**, Yongin-si (KR); **Sunmin Lee**, Seoul (KR)

(73) Assignee: **Samsung Electronics Co., Ltd.**,
Gyeonggi-Do (KR)

(**) Term: **14 Years**

(21) Appl. No.: **29/456,162**

(22) Filed: **May 29, 2013**

(30) **Foreign Application Priority Data**

Dec. 7, 2012 (KR) 30-2012-0059153

(51) **LOC (10) Cl.** **07-06**

(52) **U.S. Cl.**
USPC **D7/701**

(58) **Field of Classification Search**
USPC D7/619.1-625, 601, 602, 620, 701-708,
D7/621, 622, 623, 628, 614, 612, 600.1,
D7/600.4, 631, 632, 633, 634, 509, 514,
D7/515, 533, 536, 550.1, 553.1, 553.2,
D7/553.3, 553.4, 553.5, 553.7, 554.3,
D7/554.4, 555, 557, 558, 326, 388;
211/13.1, 74, 71.01, 72, 75, 76, 49.1,
211/85.29, 40, 126.1, 134, 135, 153;
248/156, 346.11, 146, 530, 545, 546,
248/311.2, 311.1, 311.3, 314; 62/457.1,
62/457.3, 457.4; 220/410, 737, 739,
220/592.16, 592.17, 738, 902, 903, 740,
220/741, 742

CPC A47B 3/00; A47B 3/006; A47B 3/002;
A47B 3/004; A47B 3/008; A47B 81/00;
A47B 81/005; A47B 81/007; A47B 81/04;
B65D 13/00; B65D 9/00; B65D 9/06; B65D
9/10; B65D 9/26; B65D 9/30; B65D 5/32;
B65D 5/36; B65D 5/38; B65D 5/42; B65D
5/00; B65D 5/0005; B65D 5/001; B65D

5/009; B65D 1/00; B65D 1/22; B65D 1/225;
B65D 1/24; B65D 1/243; B65D 1/246;
B65D 1/34; B65D 1/36; B65D 1/38; B65D
85/305; A47G 23/0225; A47G 23/0233;
A47G 23/0275; A47G 23/0283; A47G
23/0316; A47G 23/04; A47G 23/0216;
A47G 23/02; A47G 23/00; A47G 23/0266;
A47G 23/0241; A47J 45/075; A45F 5/10;
A61J 2009/0623; A61J 9/06; A47F 5/00;
A47F 5/0018; A47F 5/0043; A47F 5/0075;
A47F 5/01; A47F 7/00; A47F 7/28; A47F
7/283

See application file for complete search history.

(56) **References Cited**

U.S. PATENT DOCUMENTS

789,117 A * 5/1905 Burt 211/85.26
2,005,939 A * 6/1935 Hibbard, Jr. 211/74

(Continued)

Primary Examiner — Ian Simmons

Assistant Examiner — Shannon Morgan

(74) *Attorney, Agent, or Firm* — Harness, Dickey & Pierce,
P.L.C.

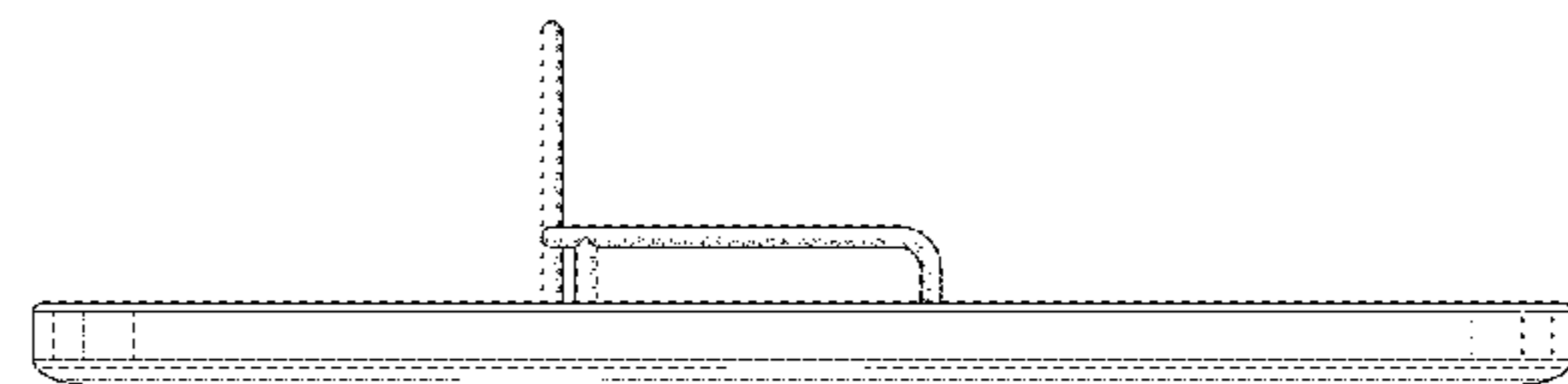
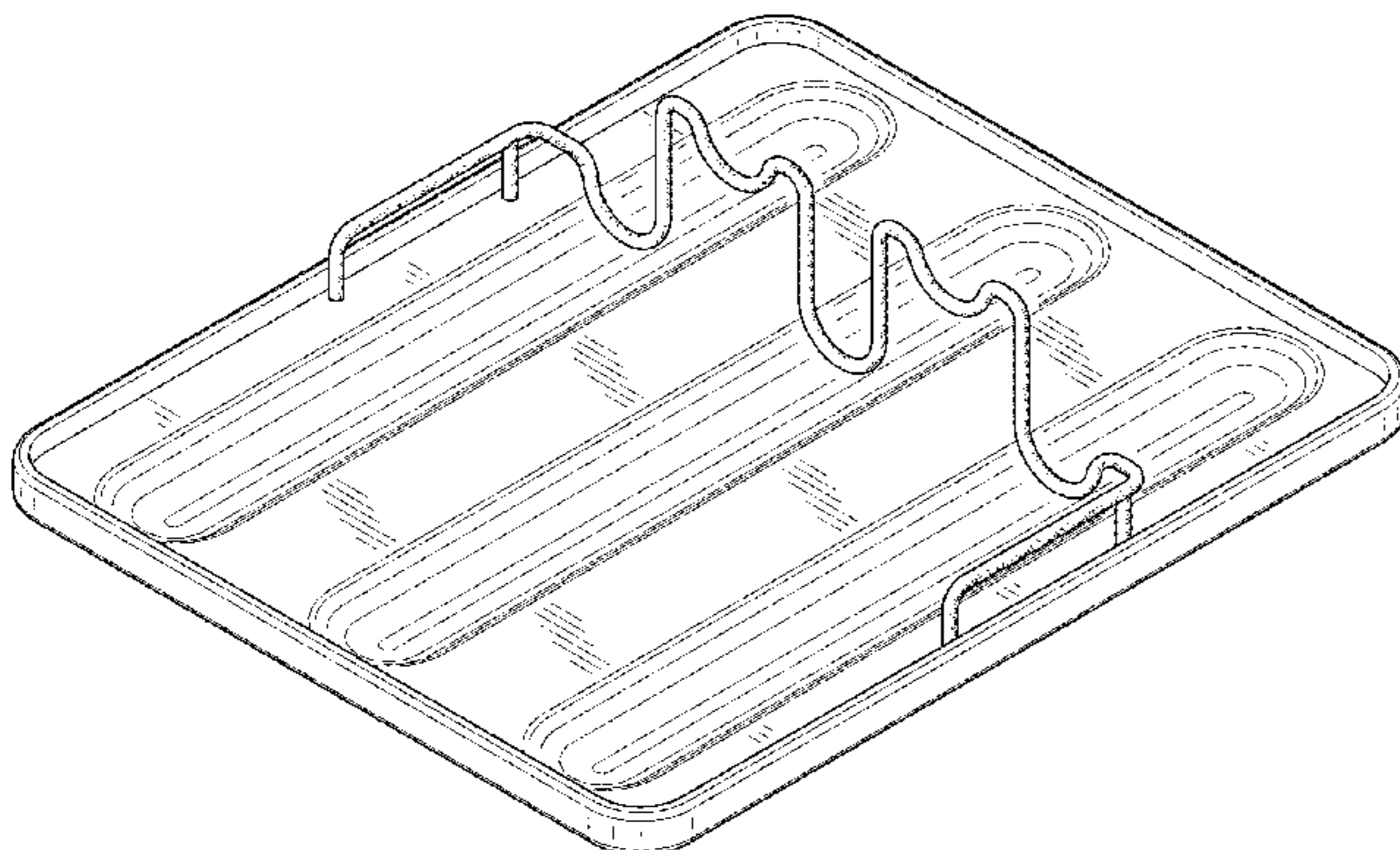
(57) **CLAIM**

The ornamental design for a wine rack, as shown and
described.

DESCRIPTION

FIG. 1 is a top, front, right perspective view of a wine rack
showing our new design;
FIG. 2 is a front side elevational view thereof;
FIG. 3 is a rear side elevational view thereof;
FIG. 4 is a left side elevational view thereof;
FIG. 5 is a right side elevational view thereof;
FIG. 6 is a top plan view thereof;
FIG. 7 is a bottom plan view thereof;
FIG. 8 is another top, front, right perspective view of the wine
rack; and,
FIG. 9 is another top, front, right perspective view thereof.
The broken lines showing bottles in FIG. 8 and refrigerator in
FIG. 9 represent environmental subject matter and form no
part of the claimed design.

1 Claim, 9 Drawing Sheets



(56)

References Cited

U.S. PATENT DOCUMENTS

2,066,374 A * 1/1937 Toulouse 206/427
 2,149,615 A * 3/1939 McElwee 248/105
 D114,883 S * 5/1939 Herzog D32/55
 2,527,796 A * 10/1950 Clute 211/74
 2,558,611 A * 6/1951 Emmart 211/74
 3,160,278 A * 12/1964 Varkala 211/74
 3,441,146 A * 4/1969 Summers 211/74
 3,606,023 A * 9/1971 Edmunds 211/74
 4,182,455 A * 1/1980 Zurawin 211/85.18
 4,515,334 A * 5/1985 Horne 248/146

D297,489 S * 9/1988 Chap et al. D7/601
 D365,732 S * 1/1996 Kellen et al. D7/701
 D370,177 S * 5/1996 Bankier D9/456
 D387,949 S * 12/1997 Bentson D7/409
 6,234,326 B1 * 5/2001 Higgins et al. 211/74
 7,520,397 B1 * 4/2009 Segale 211/106
 D707,474 S * 6/2014 Tsai D6/678.4
 2003/0151335 A1 * 8/2003 Conroy 312/242
 2004/0238467 A1 * 12/2004 Tully 211/74
 2005/0269277 A1 * 12/2005 Su 211/74
 2006/0266726 A1 * 11/2006 Swanson 211/186
 2009/0152221 A1 * 6/2009 Hynes 211/74
 2009/0308825 A1 * 12/2009 Lin 211/181.1

* cited by examiner

FIG. 1

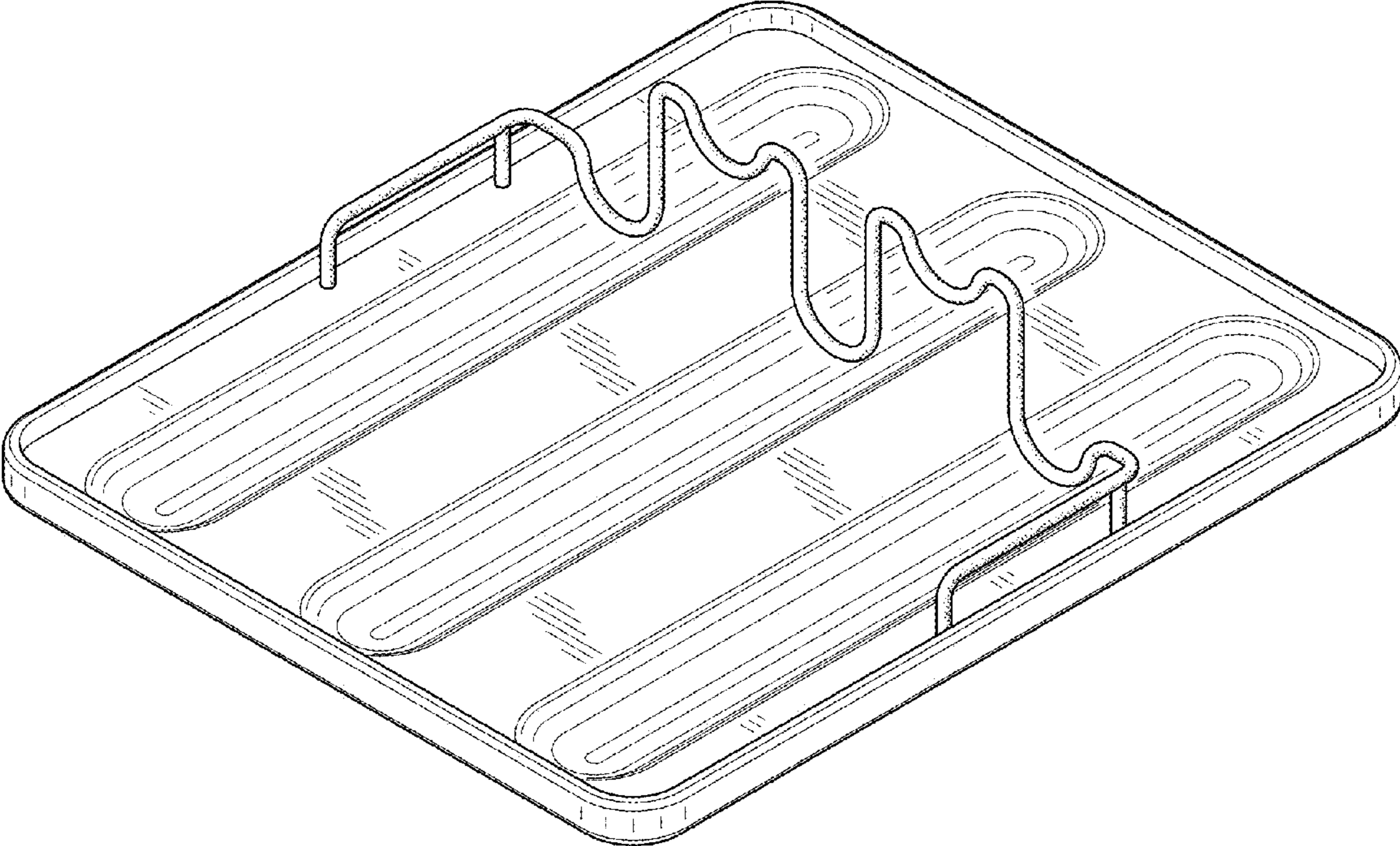


FIG. 2

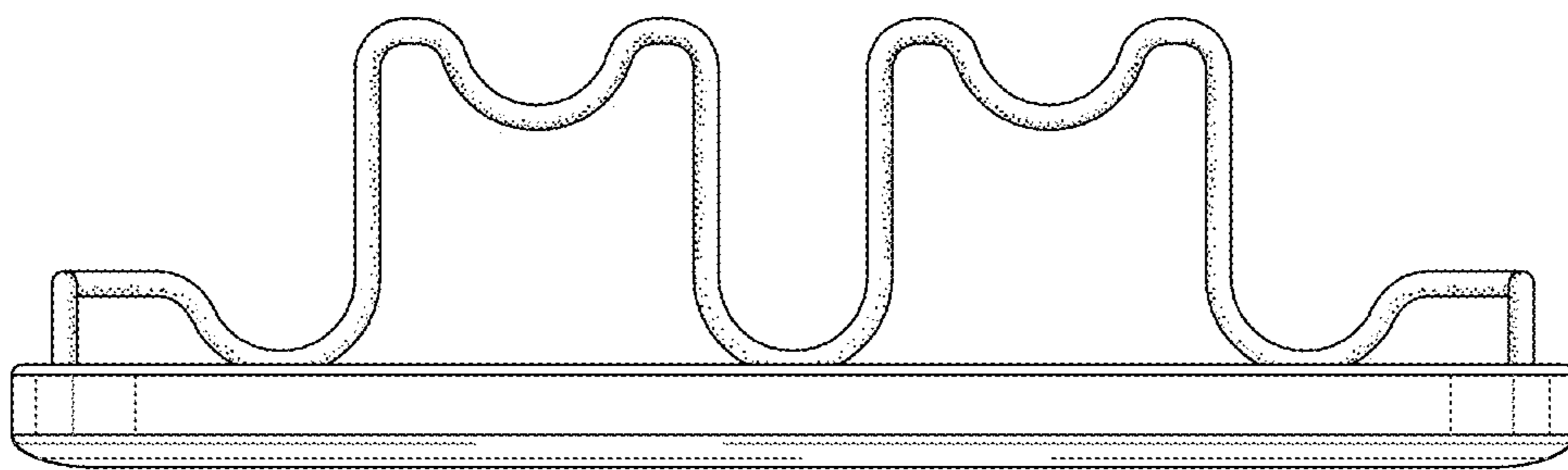


FIG. 3

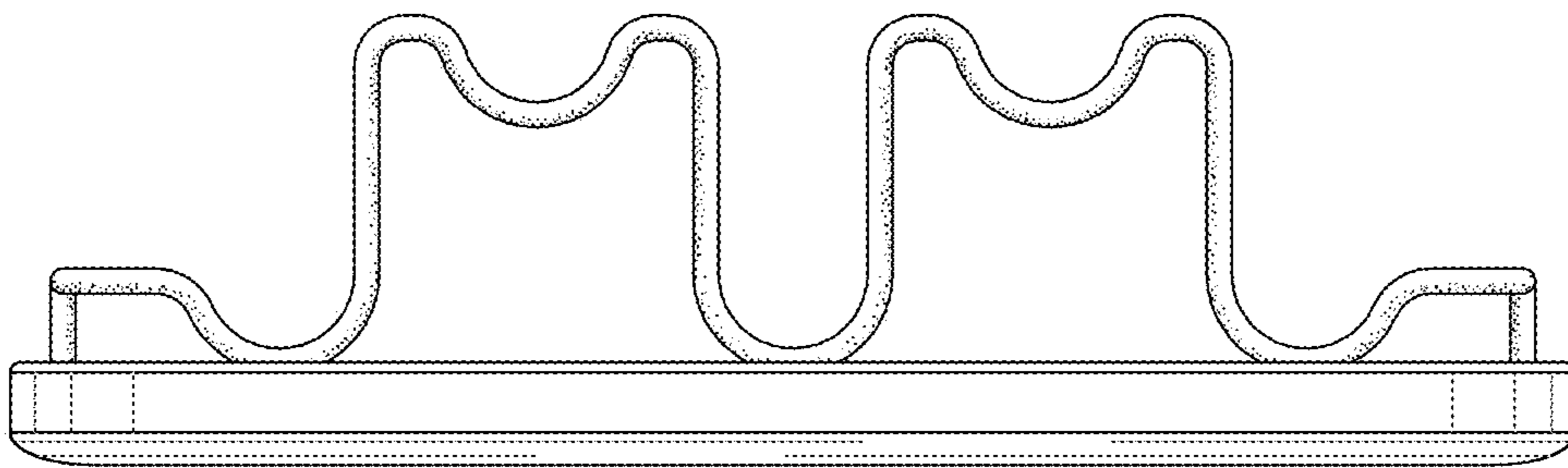


FIG. 4

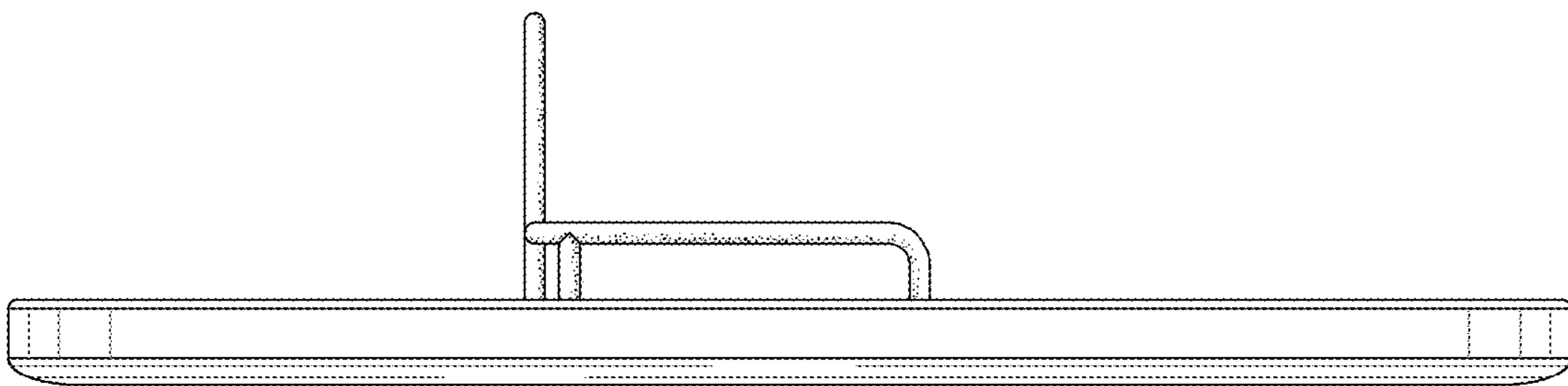


FIG. 5

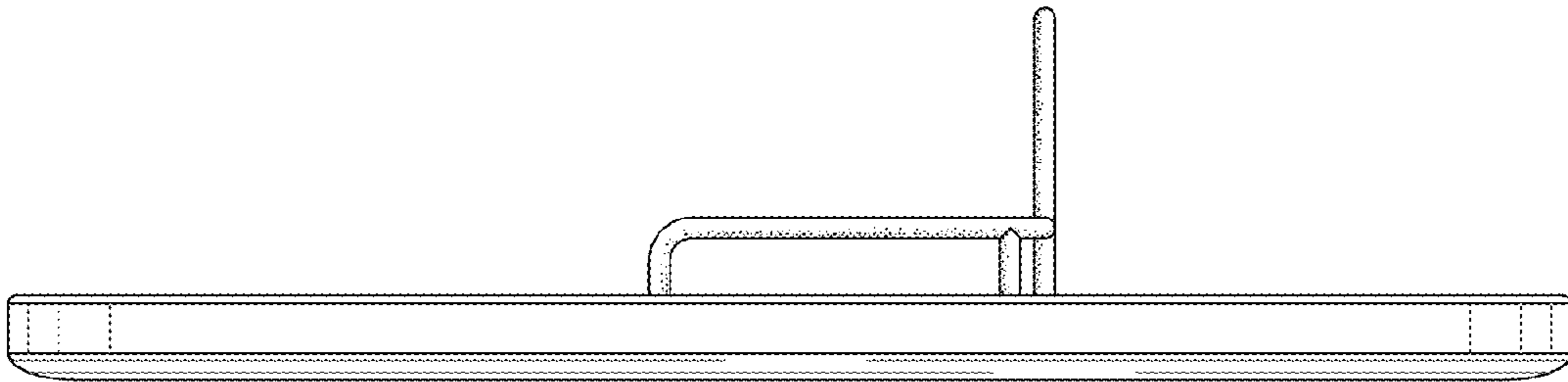


FIG. 6

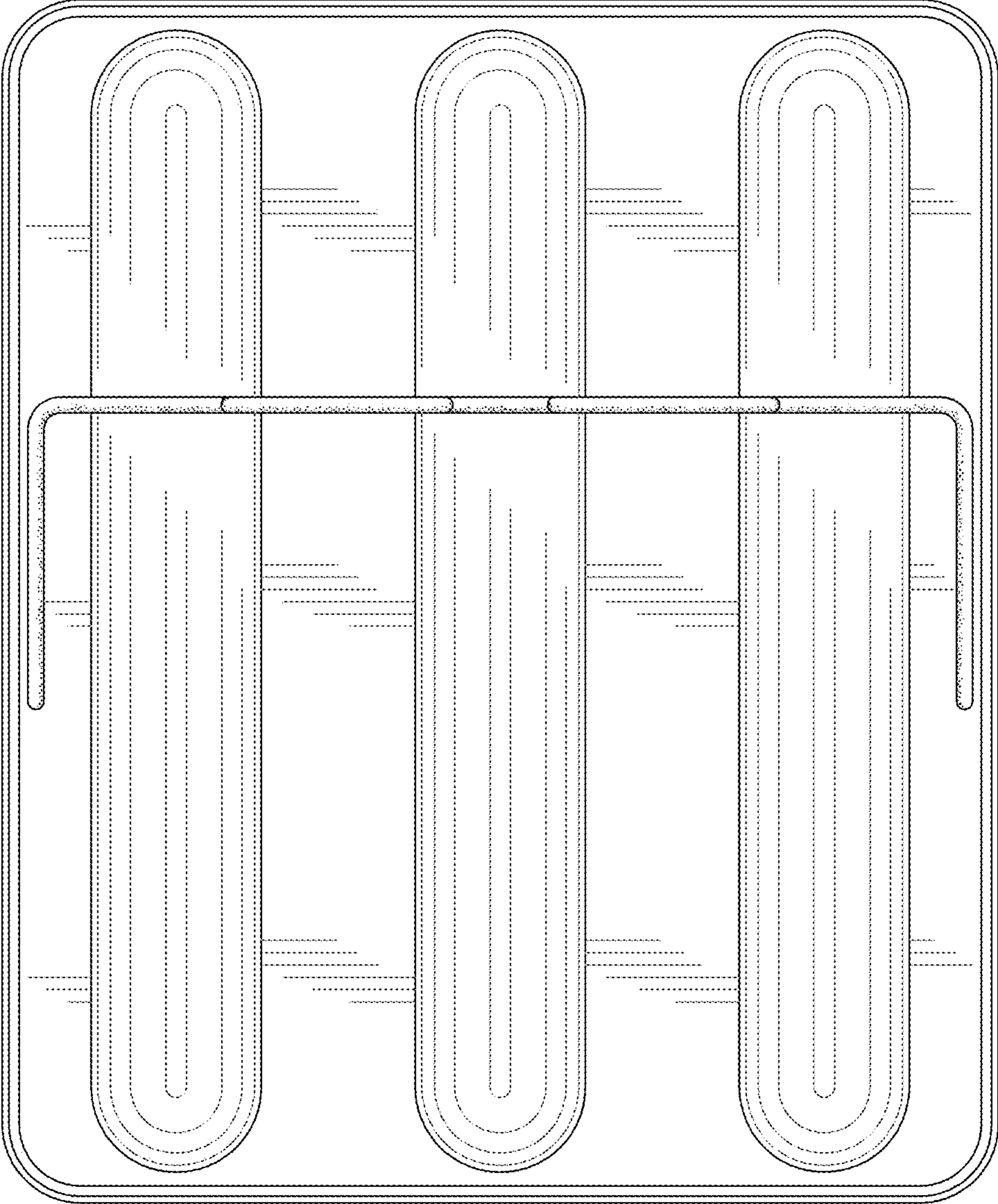


FIG. 7

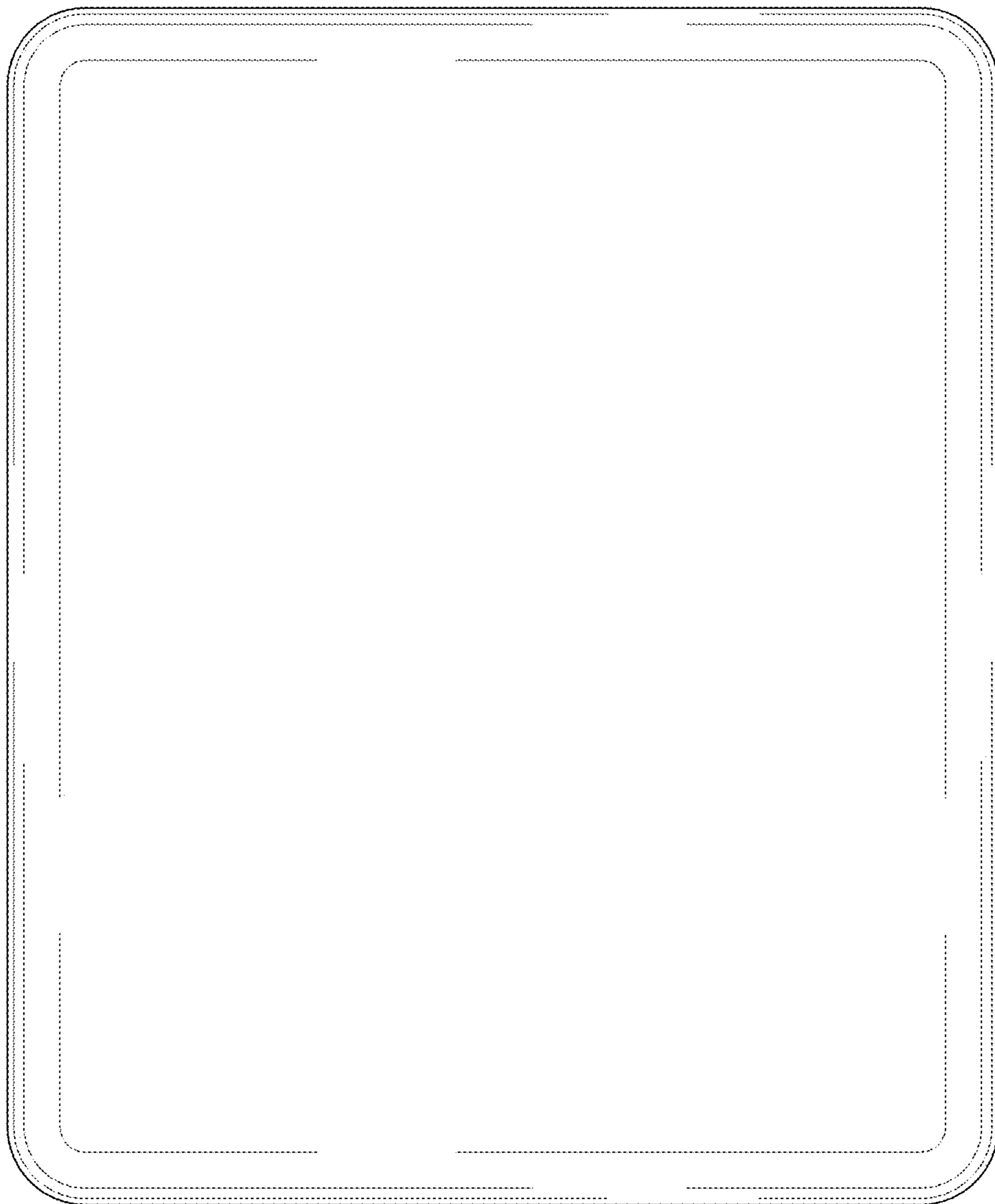


FIG. 8

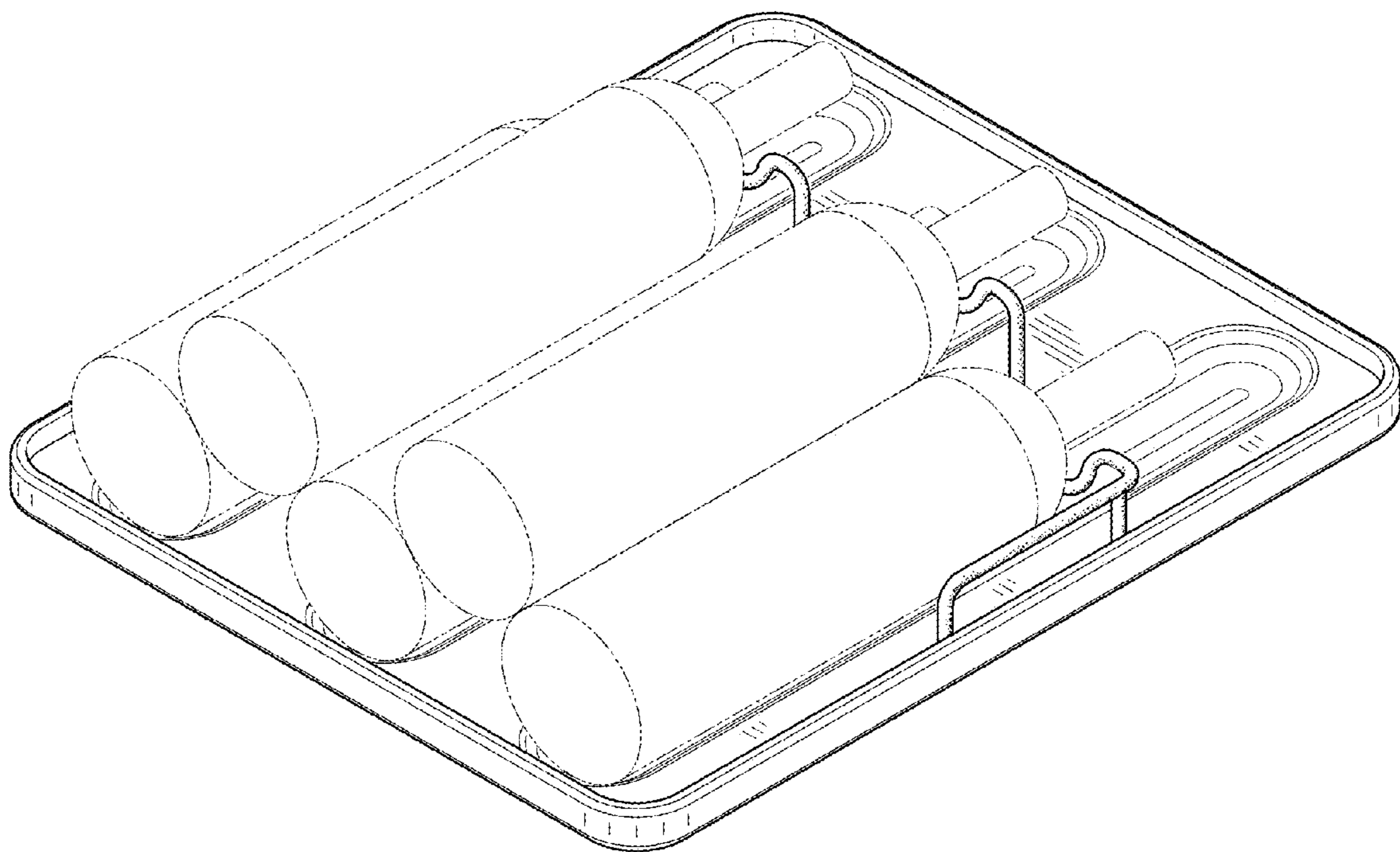


FIG. 9

