



US00D749379S

(12) **United States Design Patent**
Exley

(10) **Patent No.:** **US D749,379 S**

(45) **Date of Patent:** **** Feb. 16, 2016**

(54) **FOOD CUTTER**

(71) Applicant: **ONTEL PRODUCTS CORPORATION**, Fairfield, NJ (US)

(72) Inventor: **Ross Exley**, Fairfield, NJ (US)

(73) Assignee: **ONTEL PRODUCTS CORPORATION**, Fairfield, NJ (US)

(**) Term: **14 Years**

(21) Appl. No.: **29/492,820**

(22) Filed: **Jun. 3, 2014**

(51) **LOC (10) Cl.** **07-04**

(52) **U.S. Cl.**
USPC **D7/693; D7/381**

(58) **Field of Classification Search**
USPC D7/693, 672, 673, 381-385, 412, 414, D7/372, 373, 678; 366/64-67, 98, 366/197-221, 241-254, 279-292, 366/341-343; 99/501-511, 337, 645; 241/168, 169.1, 273.1-273.4, 162, 241/164, 272, 285.1, 285.2, 100, 159, 270, 241/92, 93, 95, 30-37.5
CPC B26D 7/0641; A47J 43/255; A47J 19/00; A47J 43/07; G05G 1/085
See application file for complete search history.

(56) **References Cited**

U.S. PATENT DOCUMENTS

1,114,411 A * 10/1914 Stuver A47J 43/255
241/101.01
2,596,604 A * 5/1952 Schaeffer B26D 1/43
241/92

D201,602 S 7/1965 Graham et al.
3,376,910 A * 4/1968 Popeil A47J 19/00
241/82.5
4,219,165 A 8/1980 Bergan et al.
4,227,656 A * 10/1980 Engebretsen B26D 1/36
241/273.1
D260,351 S * 8/1981 Shun D7/372
D261,472 S * 10/1981 Graham D7/383
5,970,860 A * 10/1999 Yip A47J 43/07
241/169.1
D507,455 S * 7/2005 Bertulis D15/82
D543,774 S * 6/2007 Rohrer D7/381
D615,373 S * 5/2010 Chan D7/693

* cited by examiner

Primary Examiner — Terry Wallace

(74) *Attorney, Agent, or Firm* — Epstein Drangel LLP; Robert L. Epstein

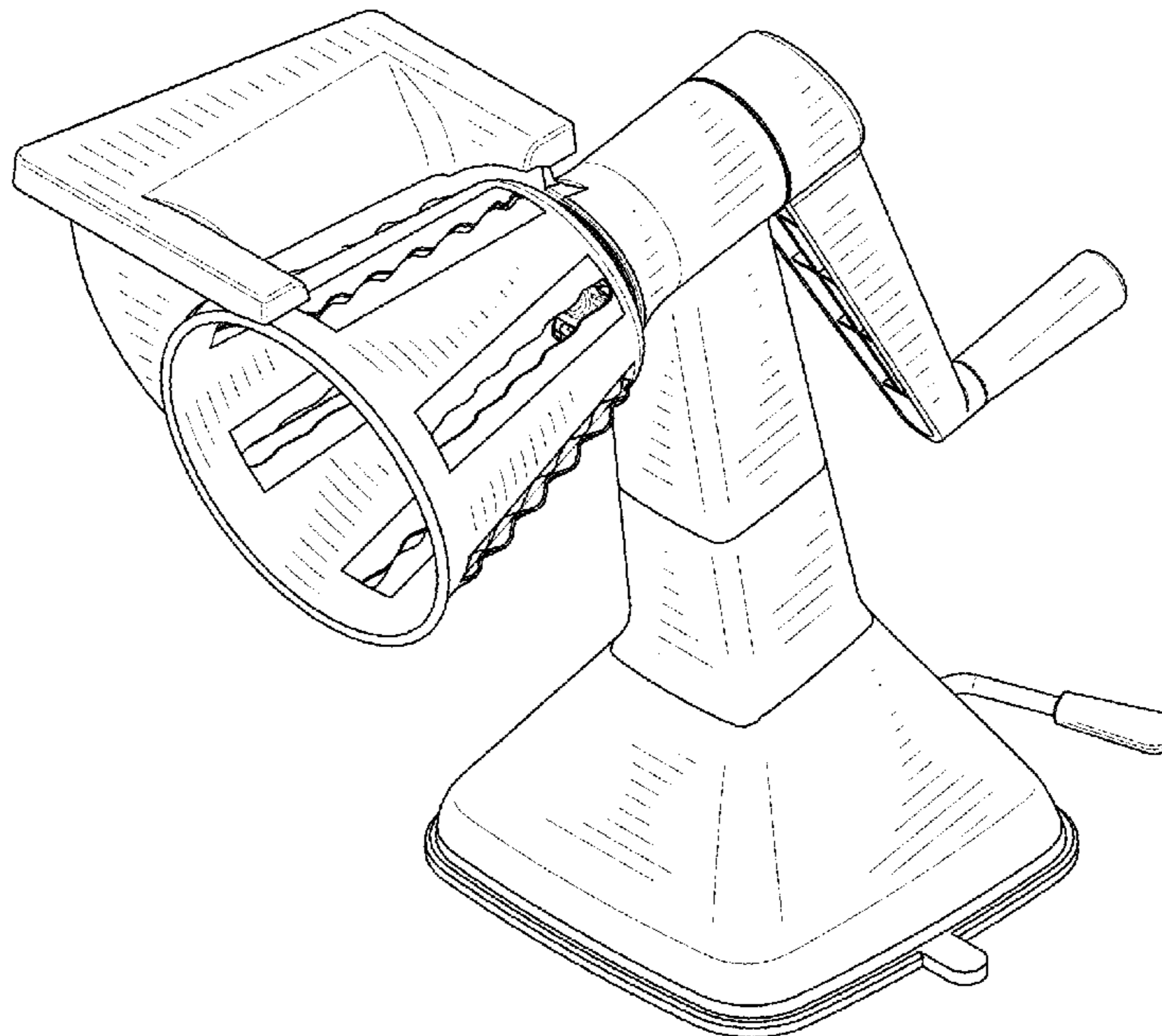
(57) **CLAIM**

The ornamental design for a food cutter, as shown.

DESCRIPTION

FIG. 1 is a top, front perspective view of a food cutter showing my new design.
FIG. 2 is a bottom, rear perspective view thereof.
FIG. 3 is a left side view thereof.
FIG. 4 is a right side view thereof.
FIG. 5 is a rear view thereof.
FIG. 6 is a front view thereof.
FIG. 7 is a top plan view thereof; and,
FIG. 8 is a bottom plan view thereof.

1 Claim, 6 Drawing Sheets



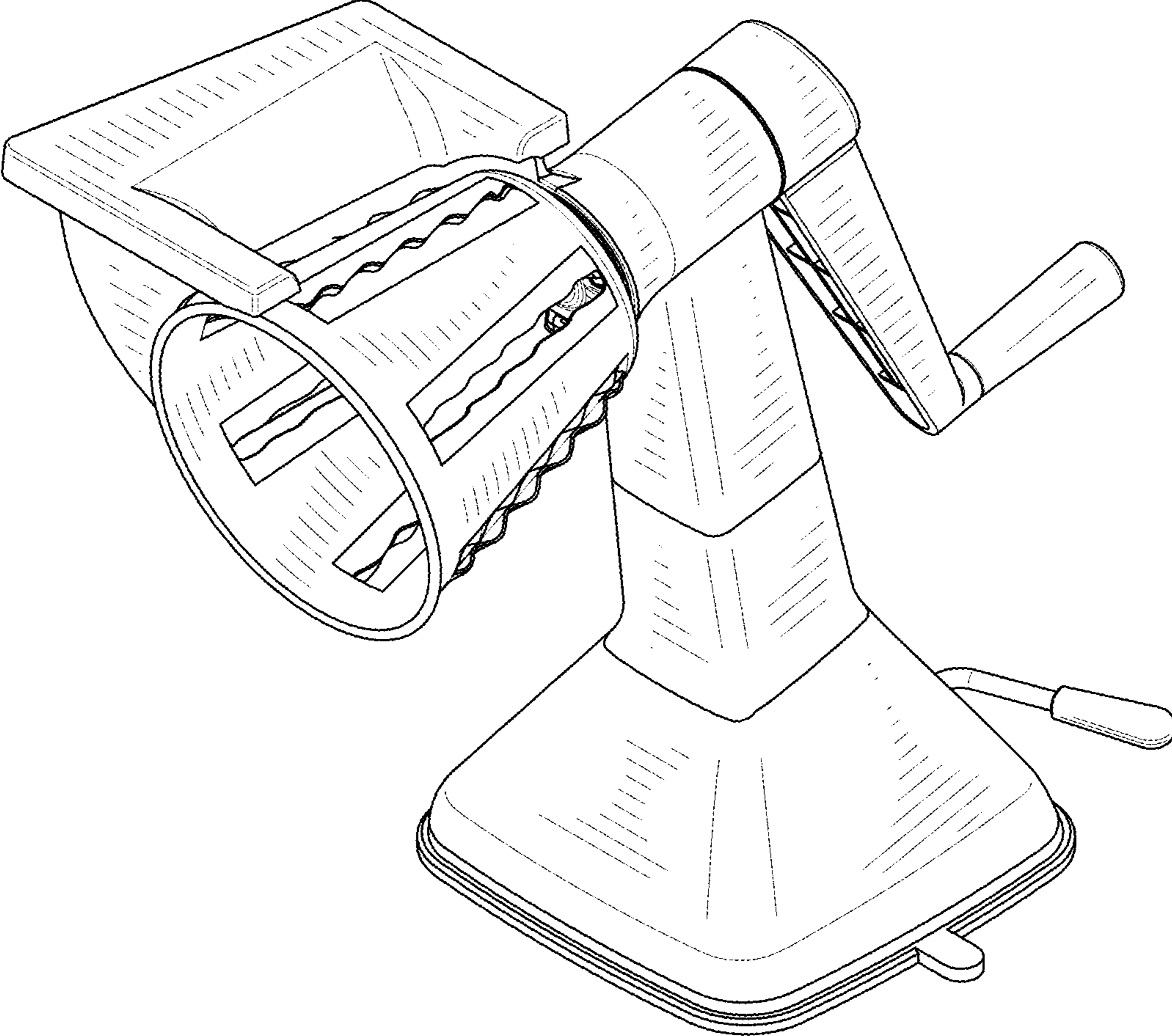


FIG. 1

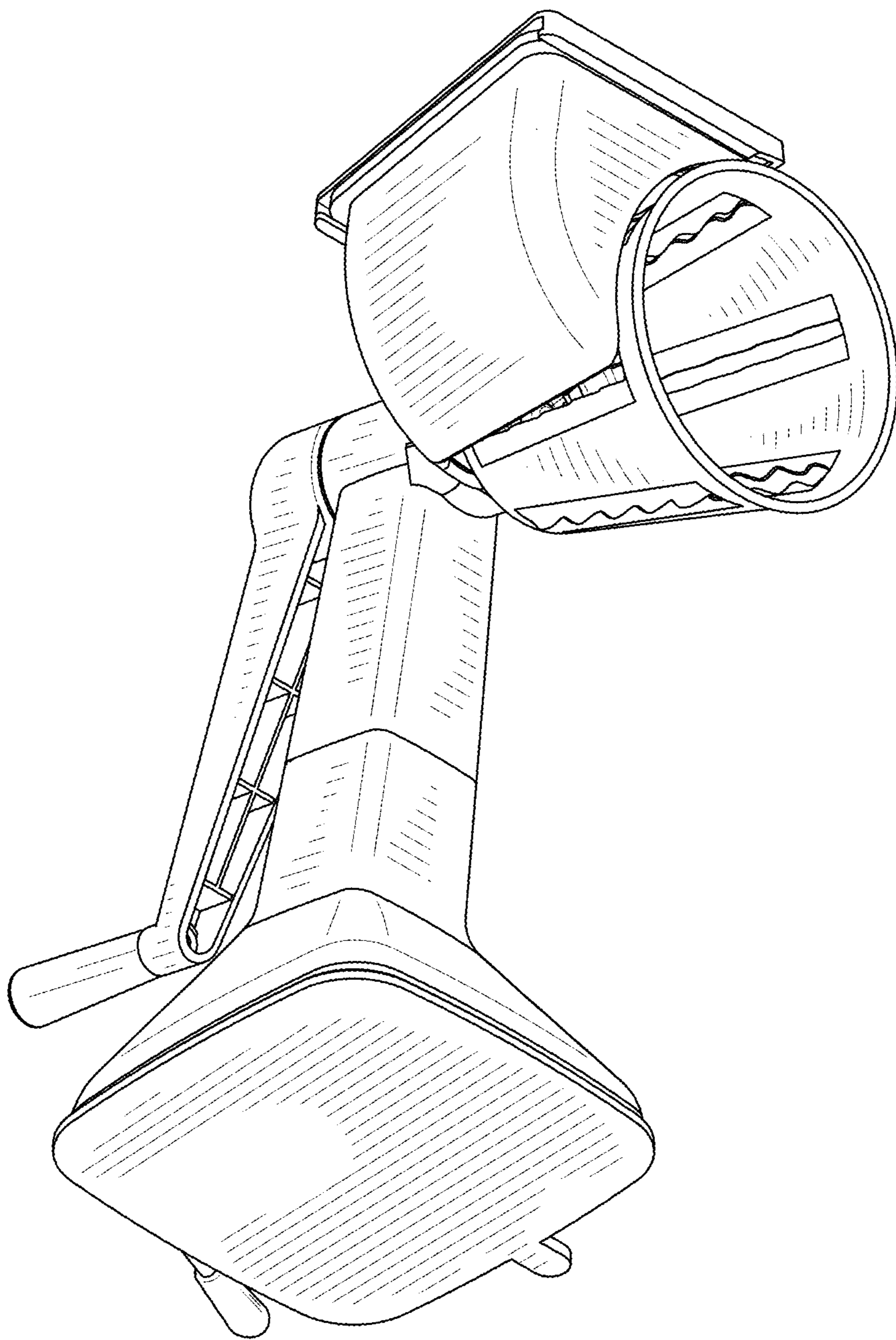


FIG. 2

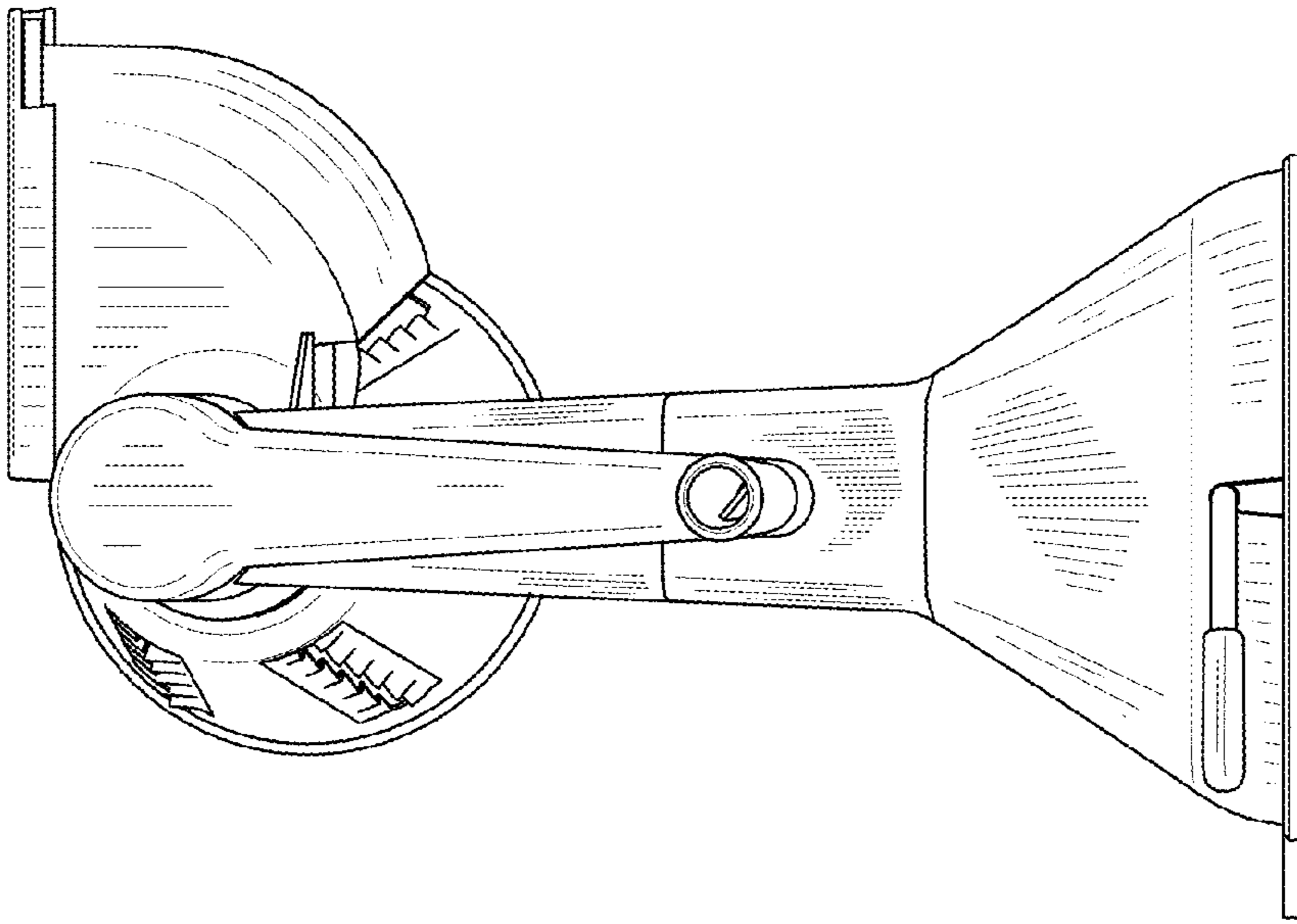


FIG. 4

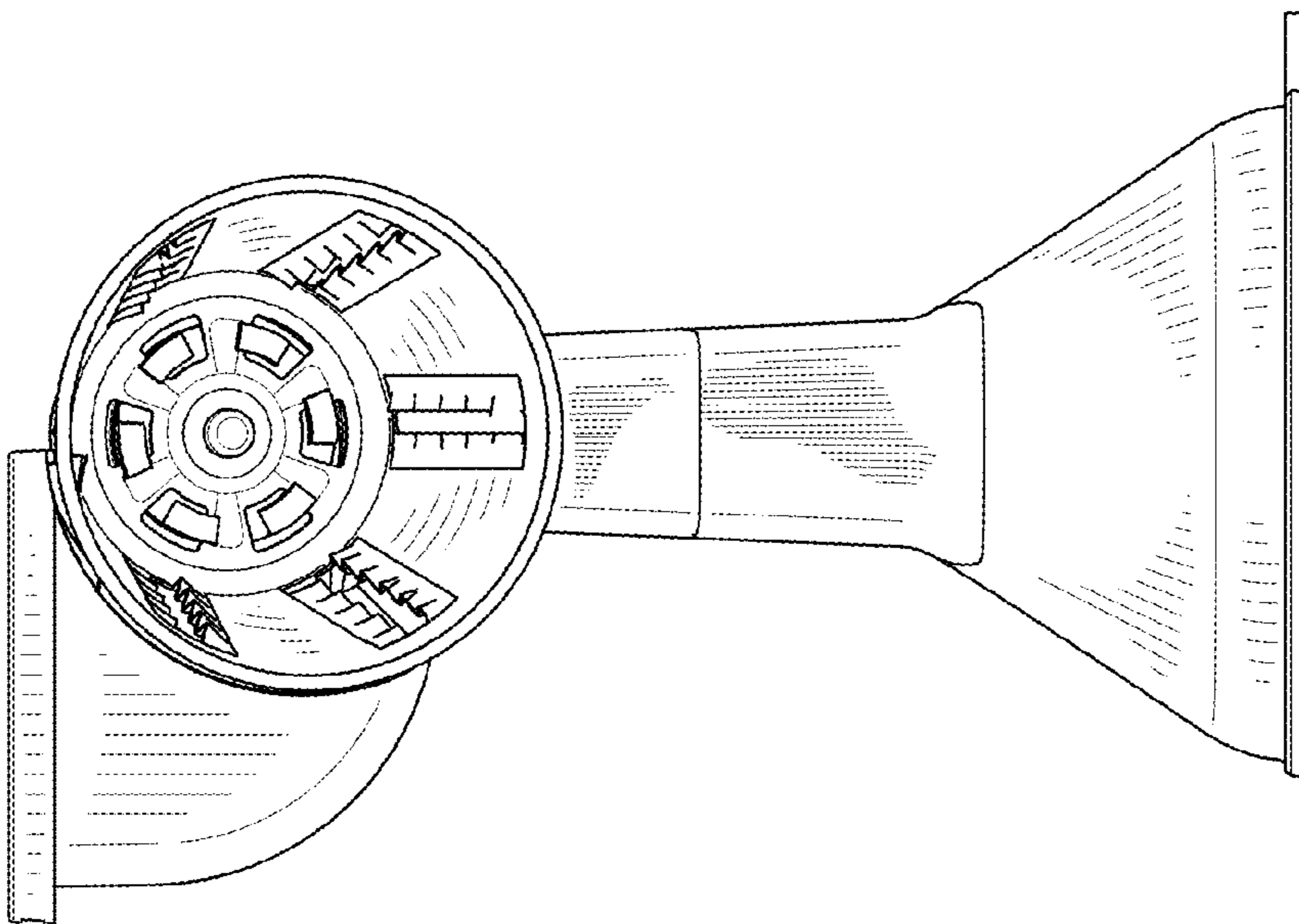


FIG. 3

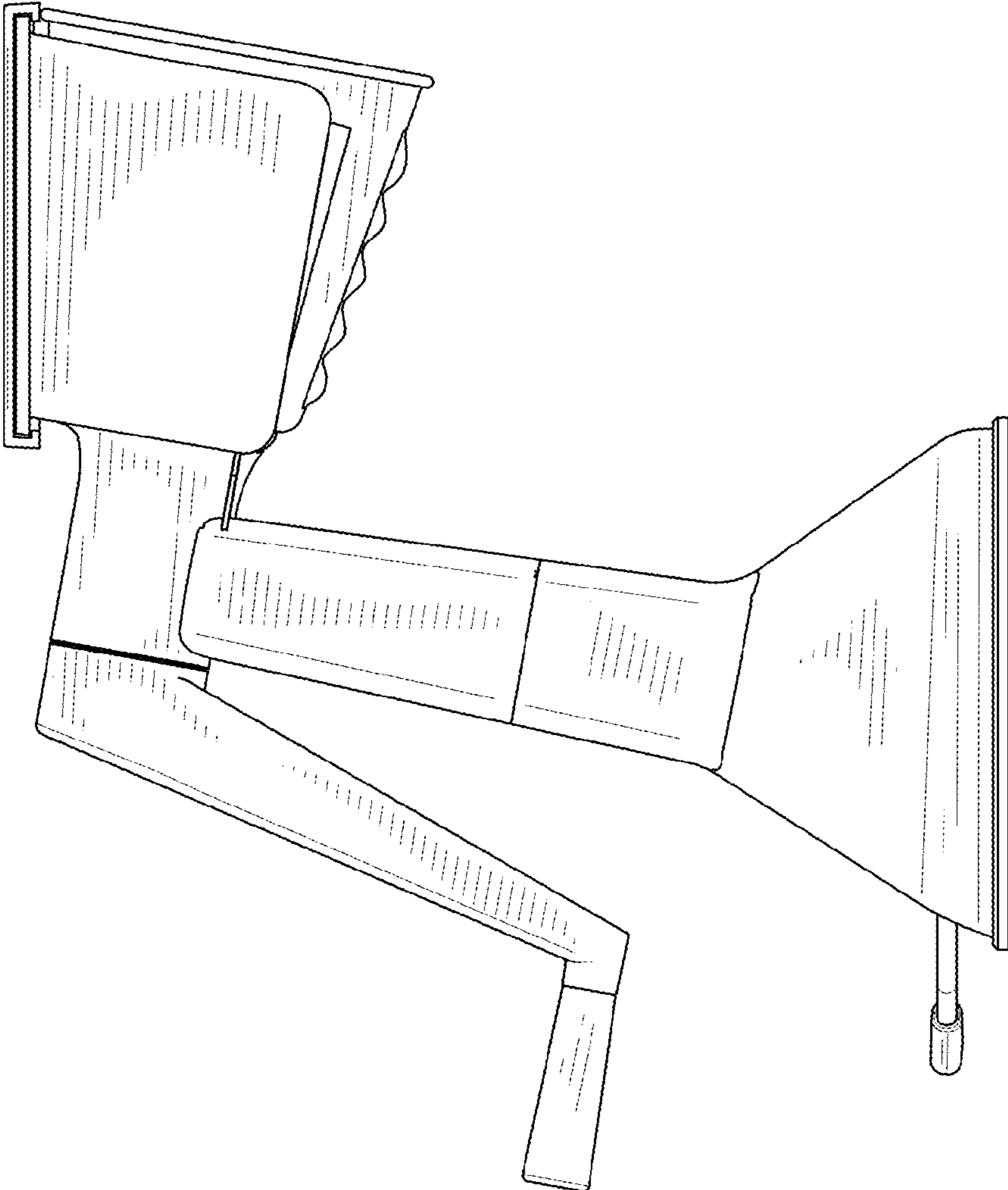


FIG. 5

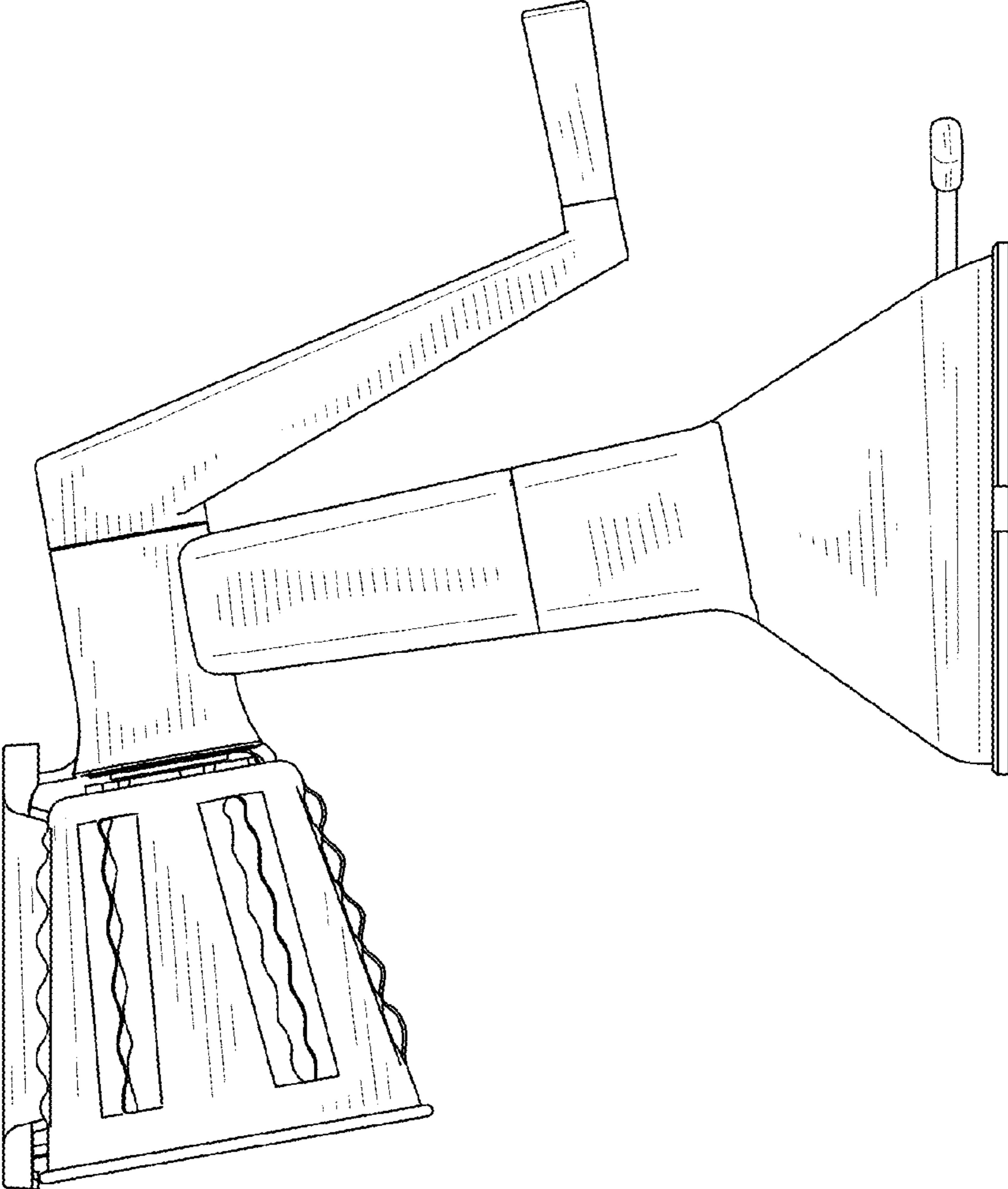


FIG. 6

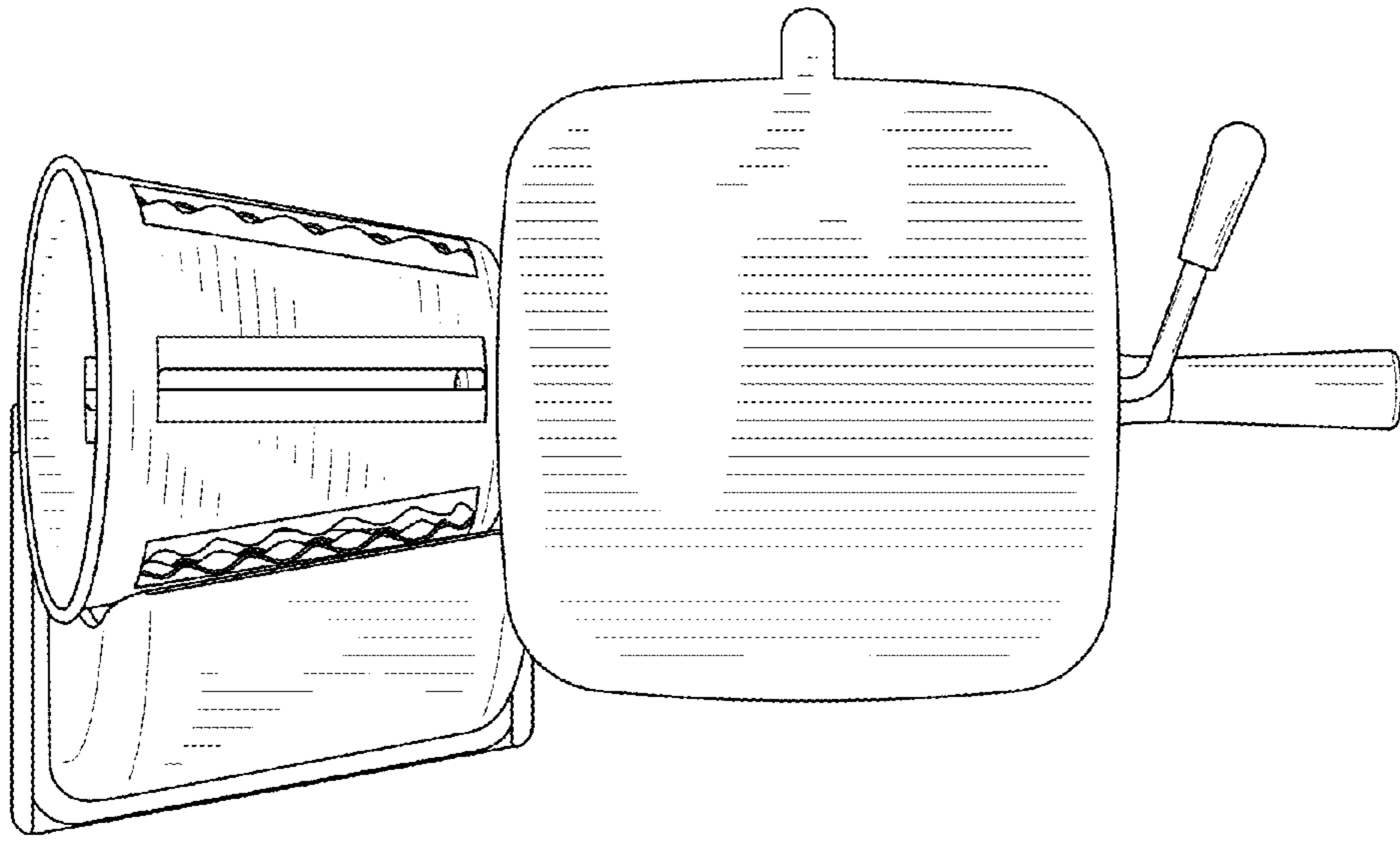


FIG. 8

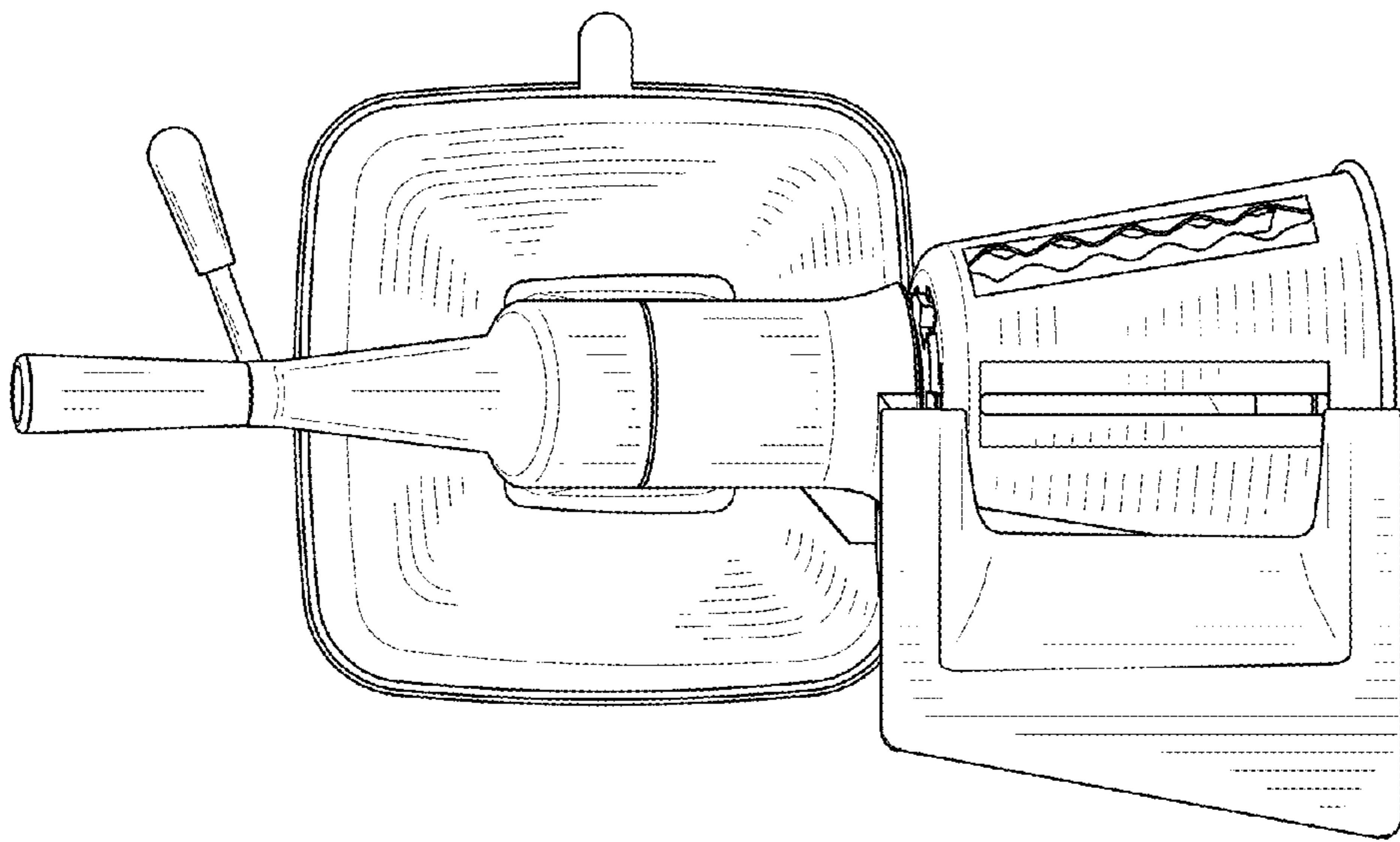


FIG. 7