



US00D749374S

(12) **United States Design Patent**  
**Kiraly et al.**

(10) **Patent No.:** **US D749,374 S**  
(45) **Date of Patent:** **\*\* Feb. 16, 2016**

(54) **TALL CAKE SERVING UTENSIL**  
(71) Applicants: **Gyorgy Kiraly**, Los Angeles, CA (US);  
**Lorraine Kiraly**, Los Angeles, CA (US)  
(72) Inventors: **Gyorgy Kiraly**, Los Angeles, CA (US);  
**Lorraine Kiraly**, Los Angeles, CA (US)

2,304,966 A \* 12/1942 Thrower ..... A47G 19/022  
294/33  
D262,346 S \* 12/1981 Riggles, Jr. .... 294/7  
5,165,171 A \* 11/1992 MacLean ..... B26B 3/00  
294/7  
D434,617 S \* 12/2000 Kontou ..... D7/686  
D437,193 S \* 2/2001 Kontou ..... D7/692  
D437,531 S \* 2/2001 Kontou ..... D7/692  
D510,686 S \* 10/2005 Mounce ..... D7/688  
D606,371 S \* 12/2009 Kiraly ..... D7/686

(\*\*) Term: **14 Years**

\* cited by examiner

(21) Appl. No.: **29/493,149**

*Primary Examiner* — Terry Wallace

(22) Filed: **Jun. 5, 2014**

(74) *Attorney, Agent, or Firm* — Thomas I. Rozsa

(51) **LOC (10) Cl.** ..... **07-04**

(52) **U.S. Cl.**  
USPC ..... **D7/688**

(57) **CLAIM**

The ornamental design for a tall cake serving utensil, as shown and described.

(58) **Field of Classification Search**  
USPC ..... D7/680–696, 642, 643, 650; 7/110,  
7/113; 30/114, 302, 136; 294/7, 8, 49,  
294/176

**DESCRIPTION**

CPC ..... A47J 43/288; A47J 43/283; B26B 3/00;  
A47G 21/045; A47G 19/022; A61C 15/02  
See application file for complete search history.

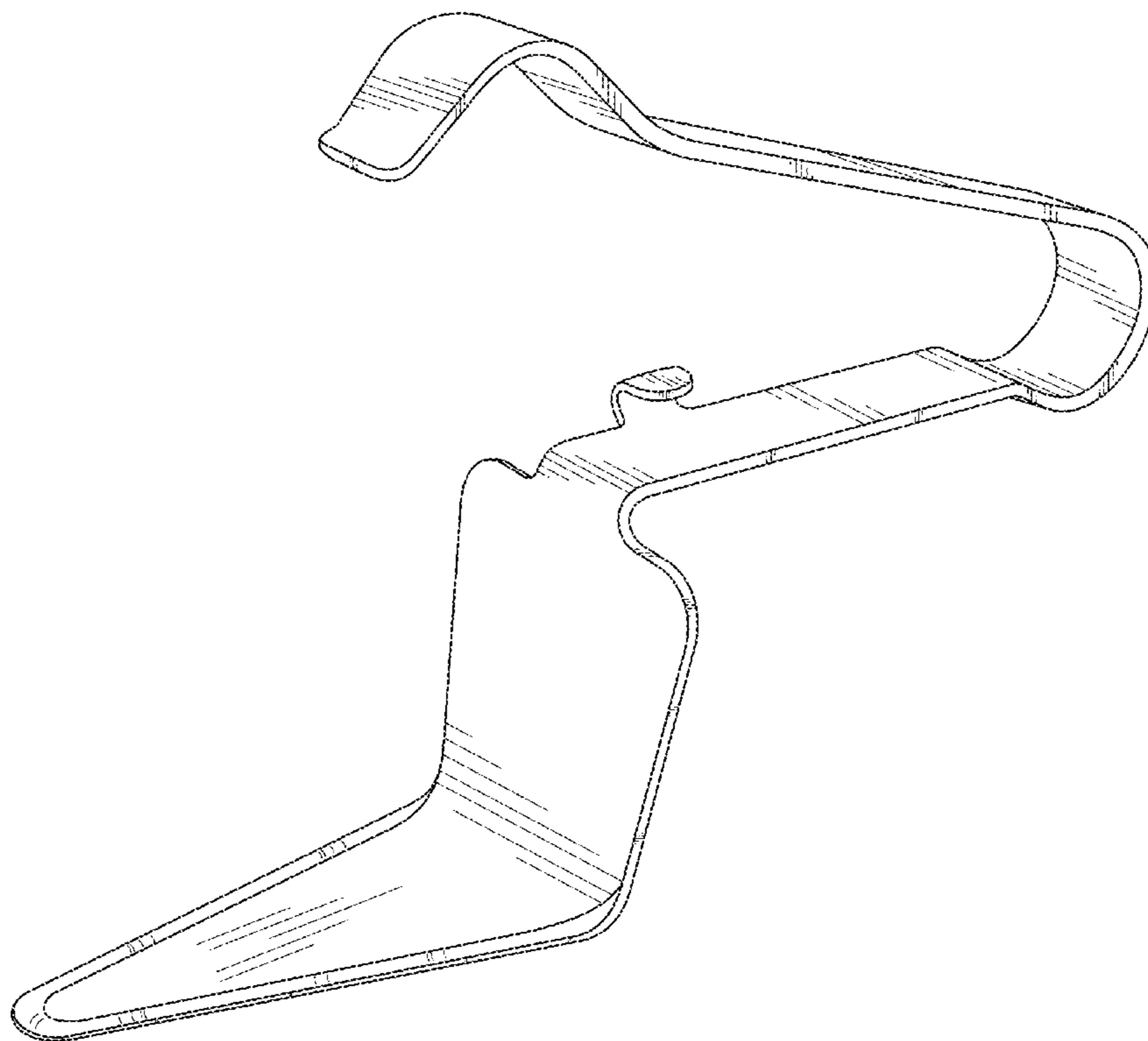
FIG. 1 is a front left side perspective view of a tall cake serving utensil, showing my new design;  
FIG. 2 is a rear left side perspective view thereof;  
FIG. 3 is a left side elevational view thereof;  
FIG. 4 is a right side elevational view thereof;  
FIG. 5 is a bottom plan view thereof;  
FIG. 6 is a top plan view thereof;  
FIG. 7 is a front elevational view thereof; and,  
FIG. 8 is a rear elevational view.

(56) **References Cited**

U.S. PATENT DOCUMENTS

865,917 A \* 9/1907 Kuehnlein ..... A47J 45/10  
294/29  
2,232,204 A \* 2/1941 Besocke ..... A47J 43/283  
294/61

**1 Claim, 6 Drawing Sheets**



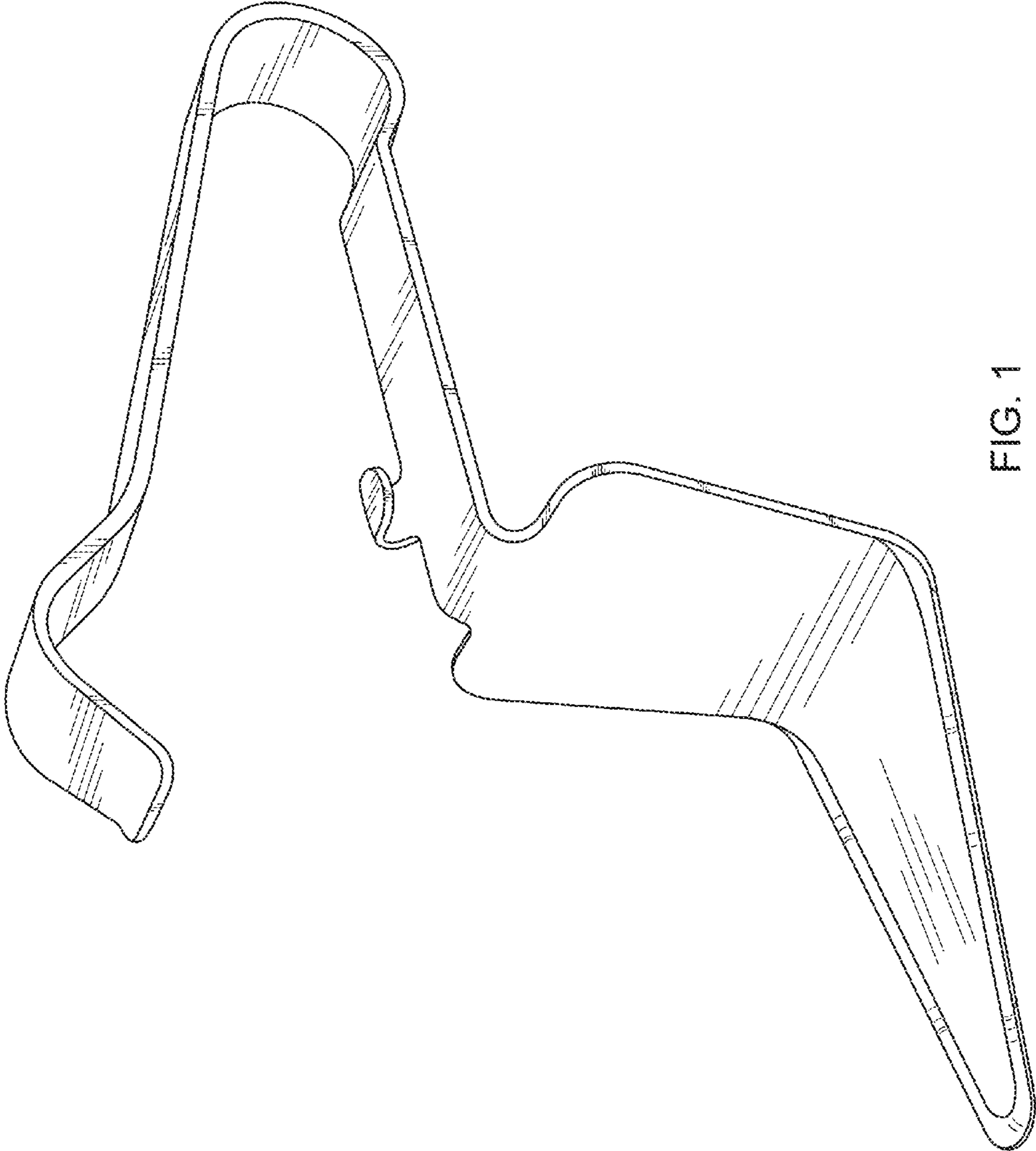


FIG. 1

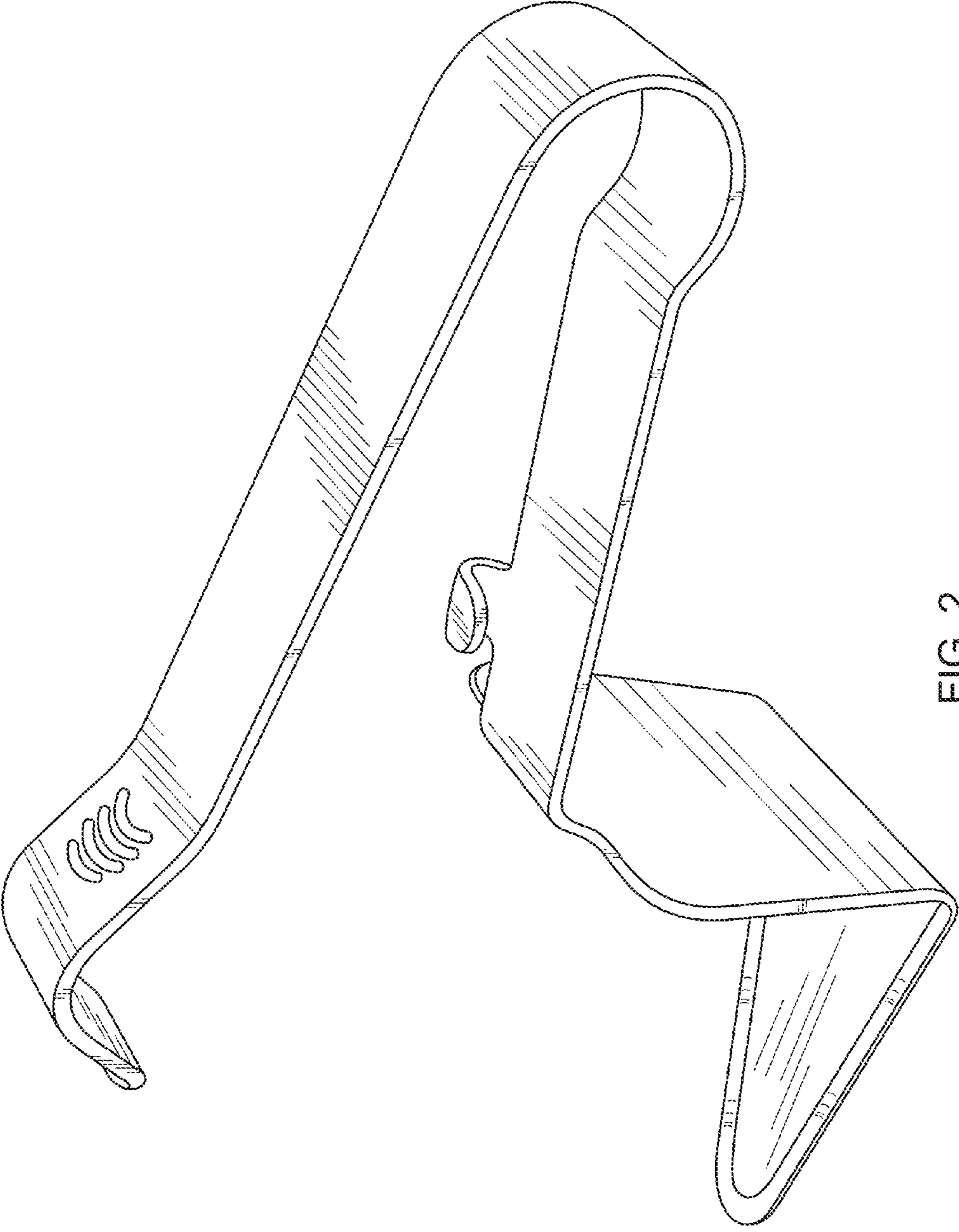


FIG. 2

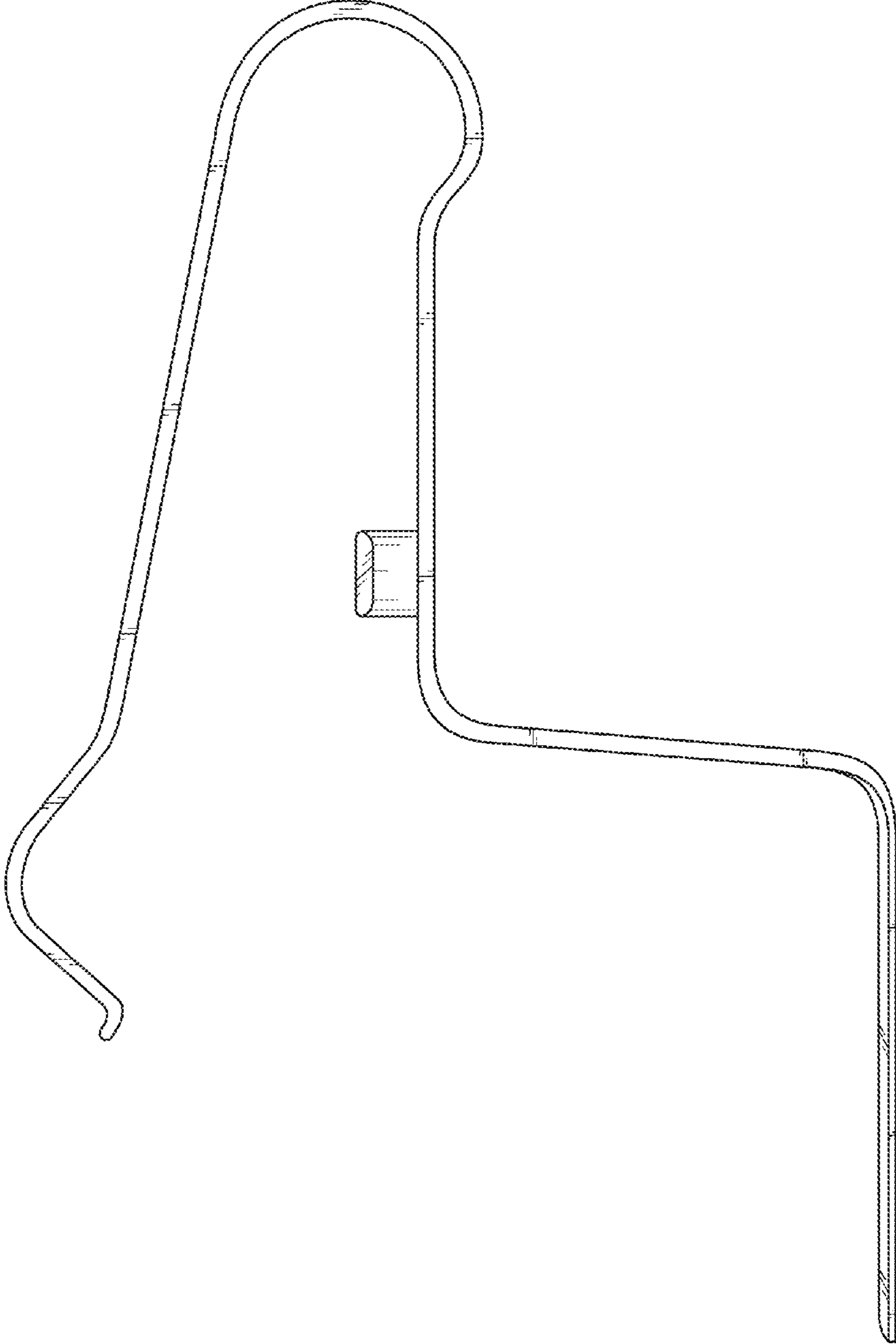


FIG. 3

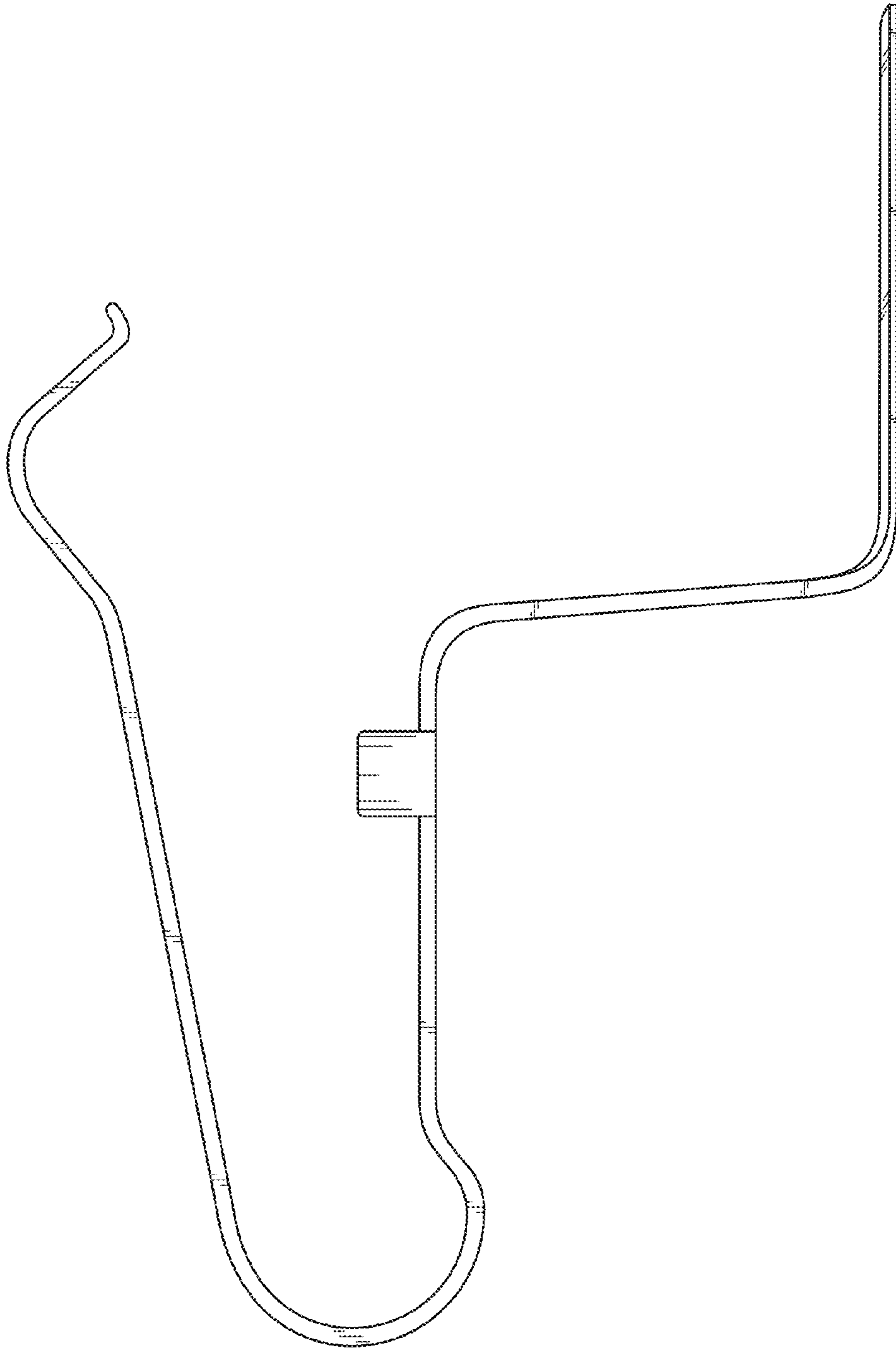


FIG. 4

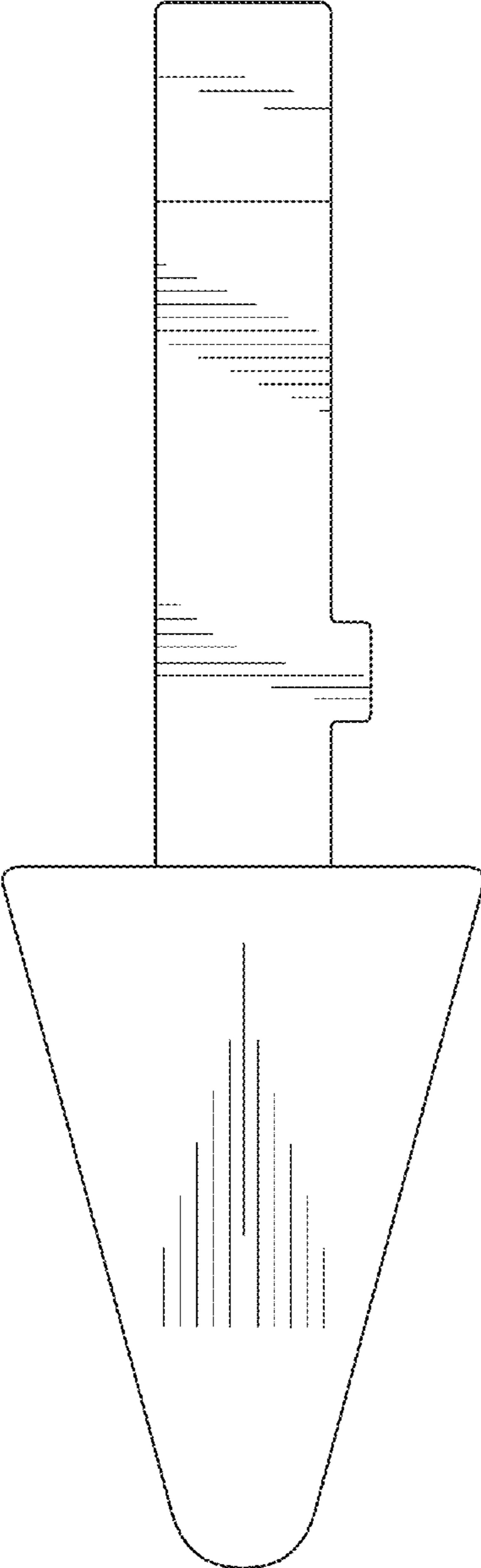


FIG. 5

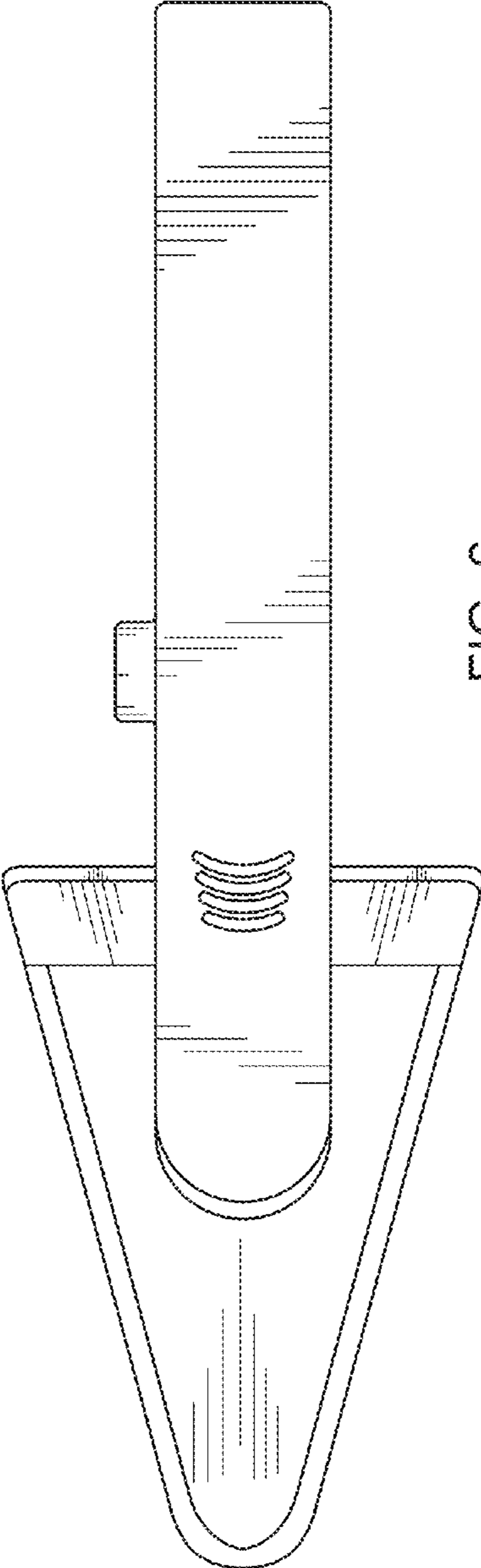


FIG. 6

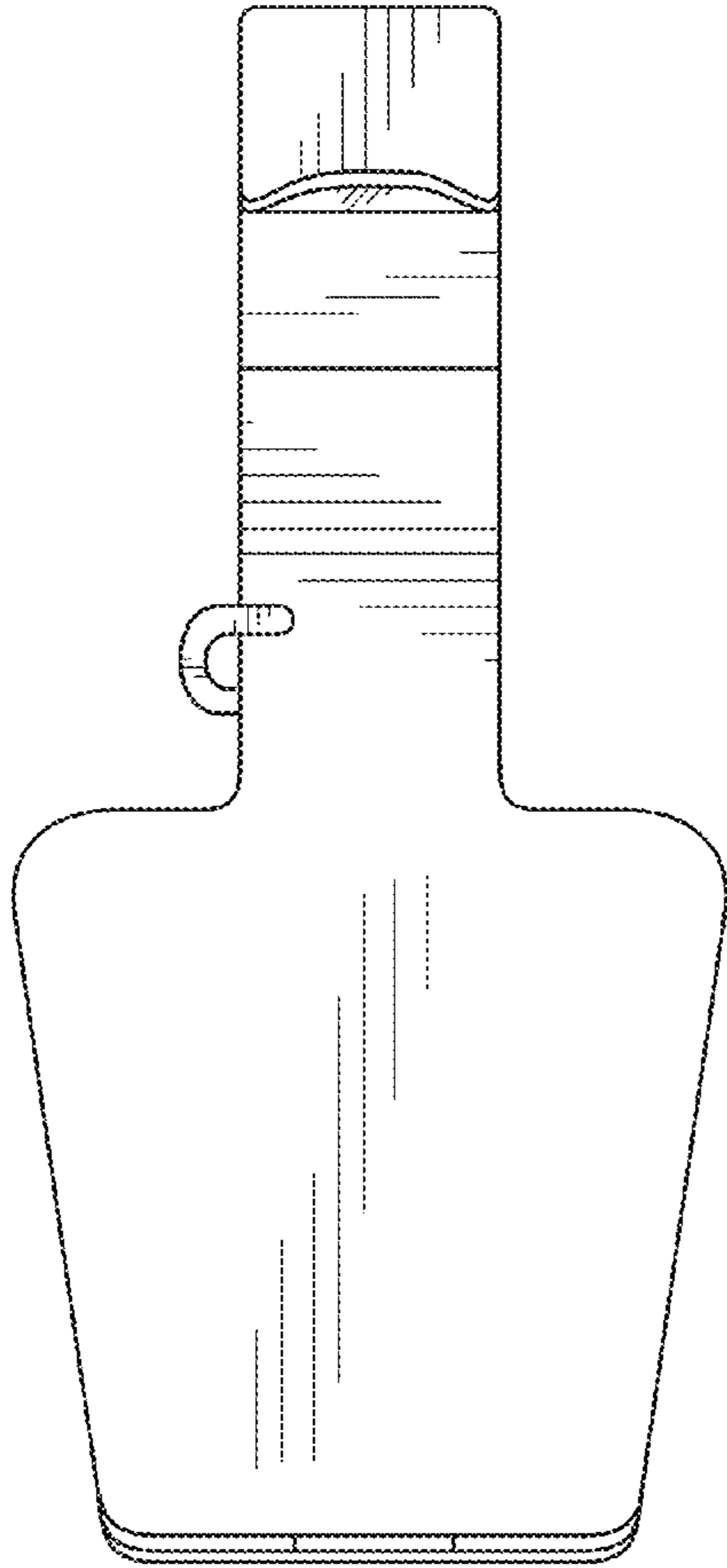


FIG. 7

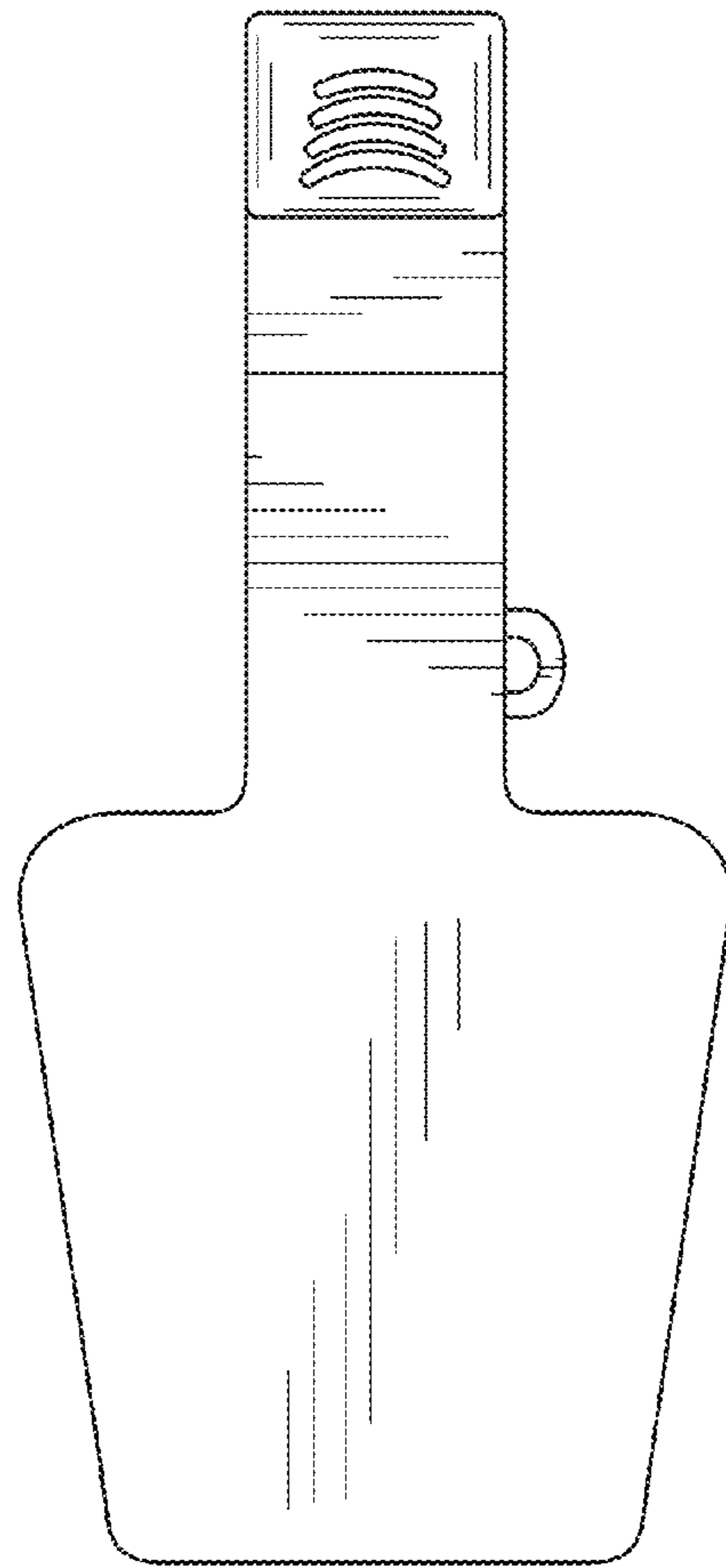


FIG. 8