



US00D749370S

(12) **United States Design Patent**  
**Fietz**

(10) **Patent No.:** **US D749,370 S**  
(45) **Date of Patent:** **\*\* Feb. 16, 2016**

(54) **BEVERAGE CAN HANDLE**  
(71) Applicant: **The Fietz Family Trust**, Calgary,  
Alberta (CA)  
(72) Inventor: **Guy Fietz**, Calgary (CA)  
(73) Assignee: **The Fietz Family Trust**, Calgary (CA)  
(\*\*) Term: **14 Years**  
(21) Appl. No.: **29/496,834**  
(22) Filed: **Jul. 17, 2014**  
(51) **LOC (10) Cl.** ..... **07-06**  
(52) **U.S. Cl.**  
USPC ..... **D7/622**  
(58) **Field of Classification Search**  
USPC ..... D7/619.1-625, 533-537; 215/390, 396;  
220/737-741, 710.5, 759, 752, 755,  
220/756, 769; 248/312, 311.2; 294/34, 33,  
294/32, 27.1, 31.2  
CPC . A47G 23/0216; A47G 23/0266; B44D 3/14;  
E06C 7/14; B65D 23/106  
See application file for complete search history.

D251,766 S \* 5/1979 Hammerschmidt ..... D7/394  
4,602,723 A \* 7/1986 DeMars ..... A47G 23/0266  
220/742  
D303,336 S \* 9/1989 Webster ..... 294/33  
4,898,297 A \* 2/1990 Wheeler ..... A47G 23/0266  
220/742  
5,054,638 A \* 10/1991 Rose ..... A47G 23/0266  
206/37.1  
5,505,330 A 4/1996 Nunes  
6,102,458 A 8/2000 Scace  
2010/0282767 A1 11/2010 Wren

**OTHER PUBLICATIONS**

International Search Report and Written Opinion for International  
Application No. PCT/CA2013/050905, Mailed Feb. 10, 2014.

\* cited by examiner

*Primary Examiner* — Terry Wallace  
(74) *Attorney, Agent, or Firm* — Oppedahl Patent Law Firm  
LLC

(57) **CLAIM**

The ornamental design for beverage can handle, as shown and  
described.

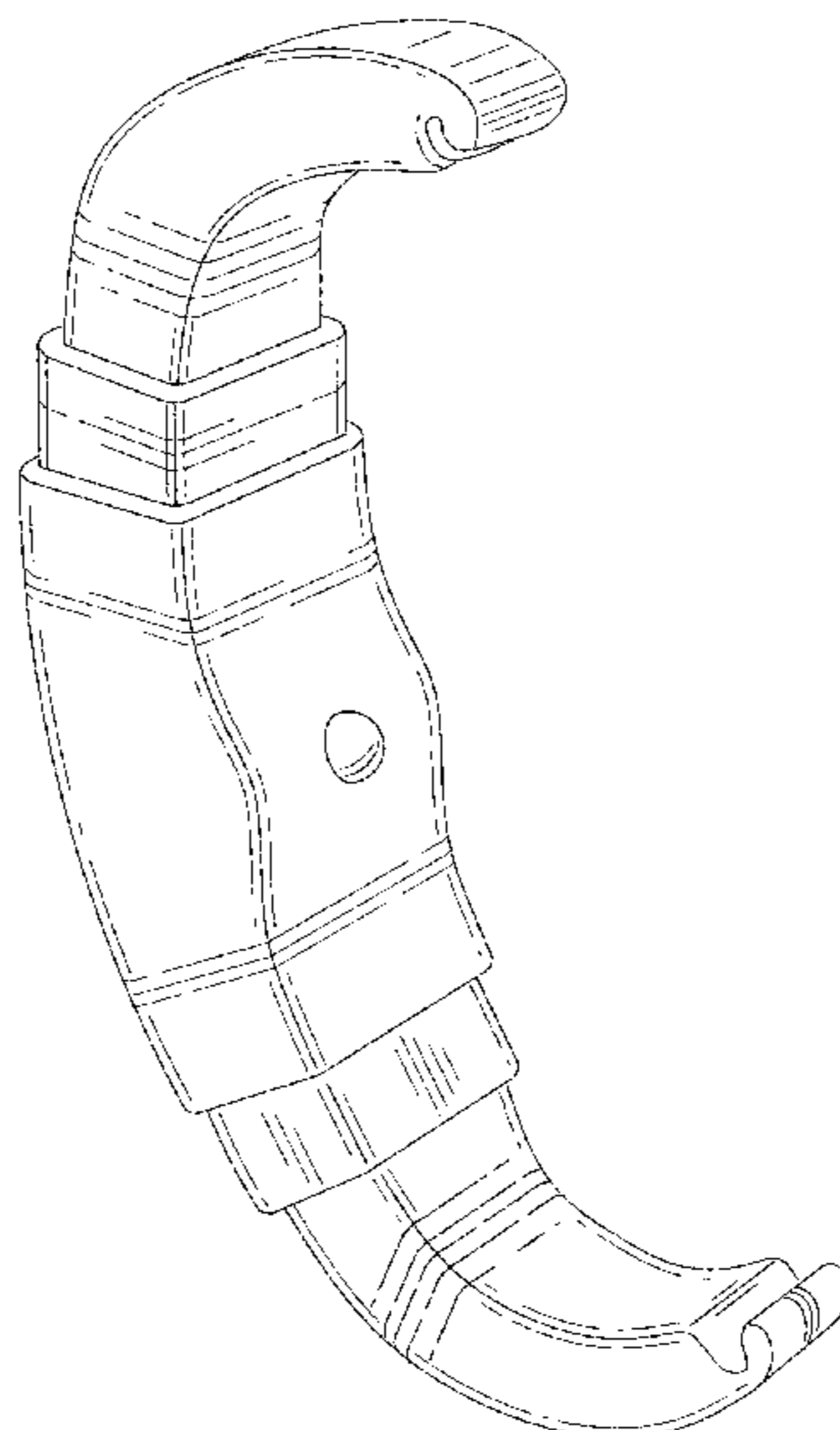
**DESCRIPTION**

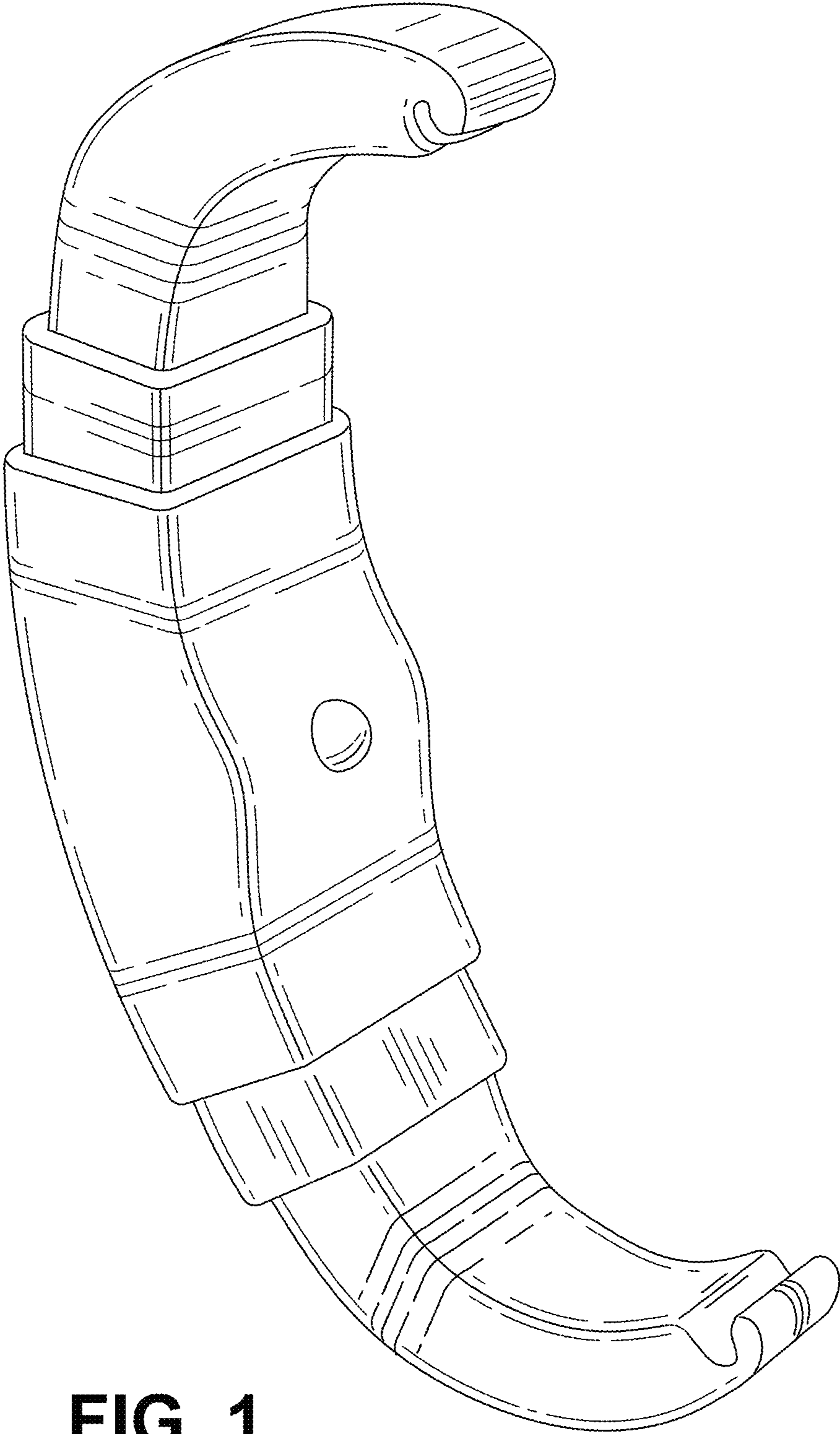
FIG. 1 is a left side perspective view of the design;  
FIG. 2 is a right side perspective view thereof;  
FIG. 3 is a front view thereof;  
FIG. 4 is a rear view thereof;  
FIG. 5 is a left side view thereof;  
FIG. 6 is a right side view thereof;  
FIG. 7 is a top view thereof;  
FIG. 8 is a bottom view thereof; and,  
FIG. 9 is a perspective view thereof showing environment.  
Shading is used in the drawings to better illustrate the design.  
The portions of the article shown in stippled lines do not form  
part of the design.

**1 Claim, 7 Drawing Sheets**

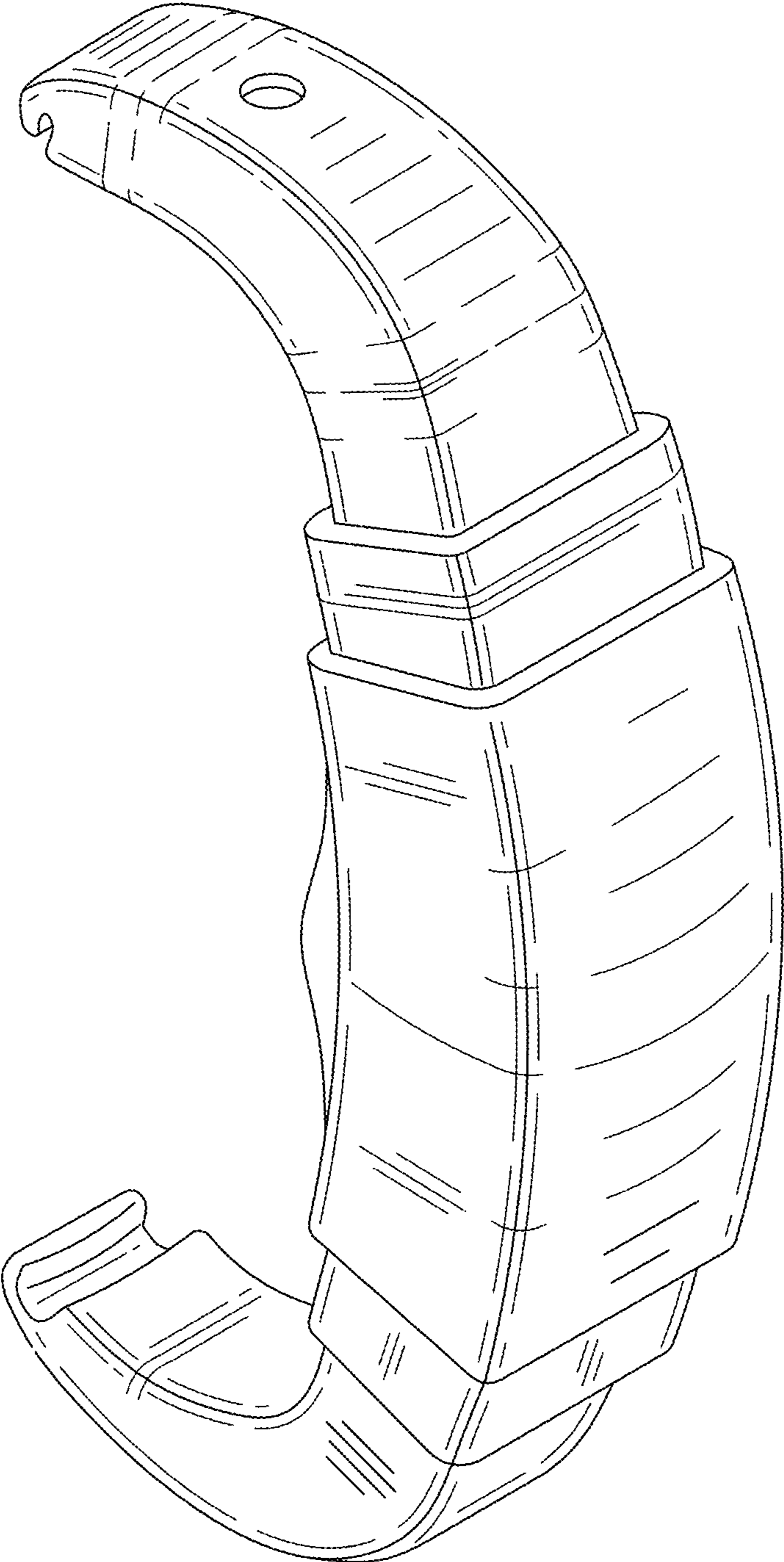
(56) **References Cited**  
U.S. PATENT DOCUMENTS

896,133 A \* 8/1908 Mayer ..... A47J 45/140  
294/12  
2,396,479 A 3/1946 Votaw  
2,665,936 A \* 1/1954 Moore ..... A47G 23/0266  
220/759  
3,024,057 A 3/1962 Lockwood  
3,189,937 A \* 6/1965 Sciortino ..... A47G 23/0266  
294/33  
D204,295 S \* 4/1966 Brekke ..... 294/31.2  
3,261,635 A \* 7/1966 Talay ..... A47G 23/0266  
215/396  
D232,614 S \* 9/1974 Brown ..... 294/33  
4,127,915 A \* 12/1978 Logan ..... A47G 23/0266  
16/425

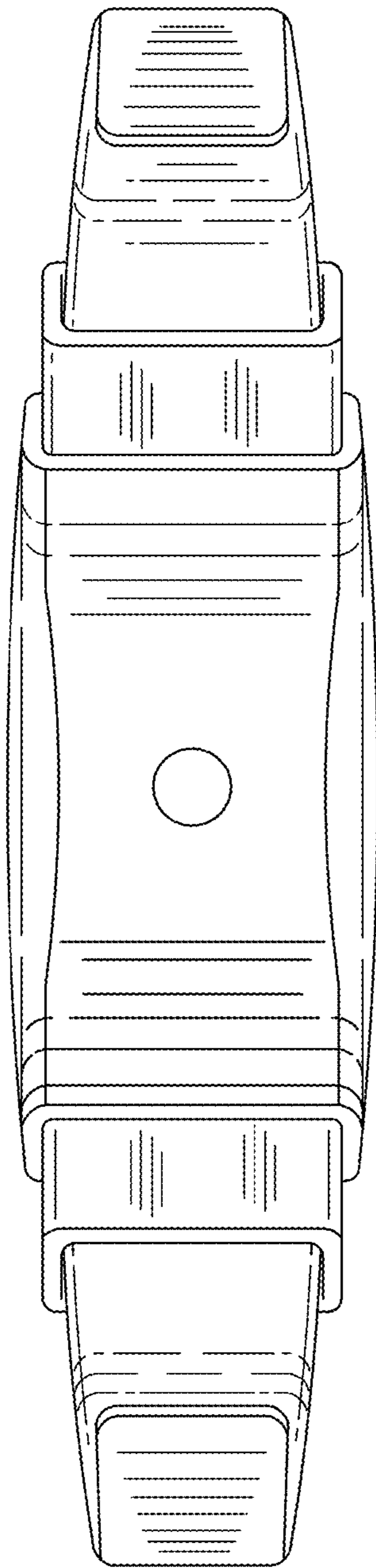




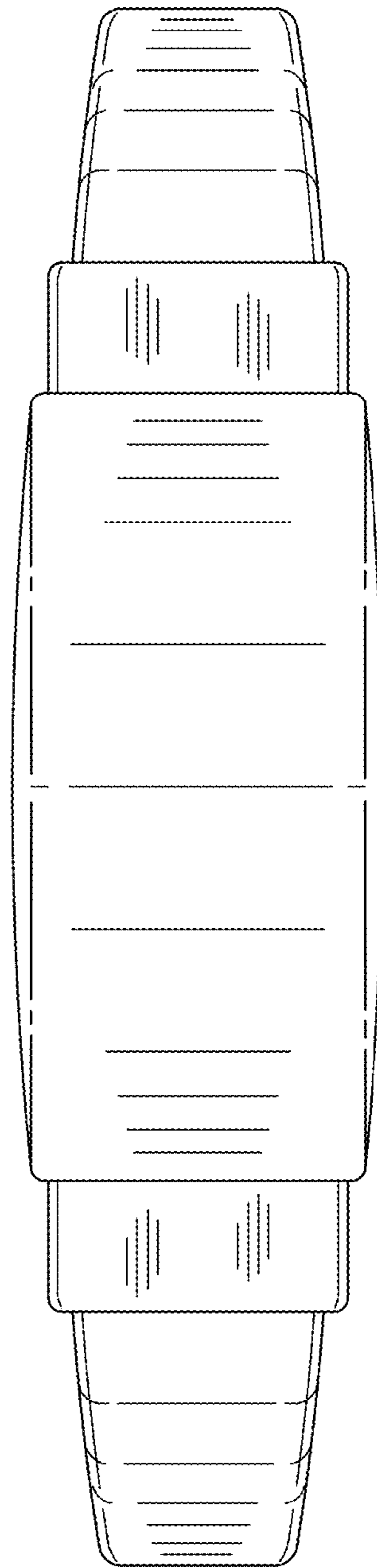
**FIG. 1**



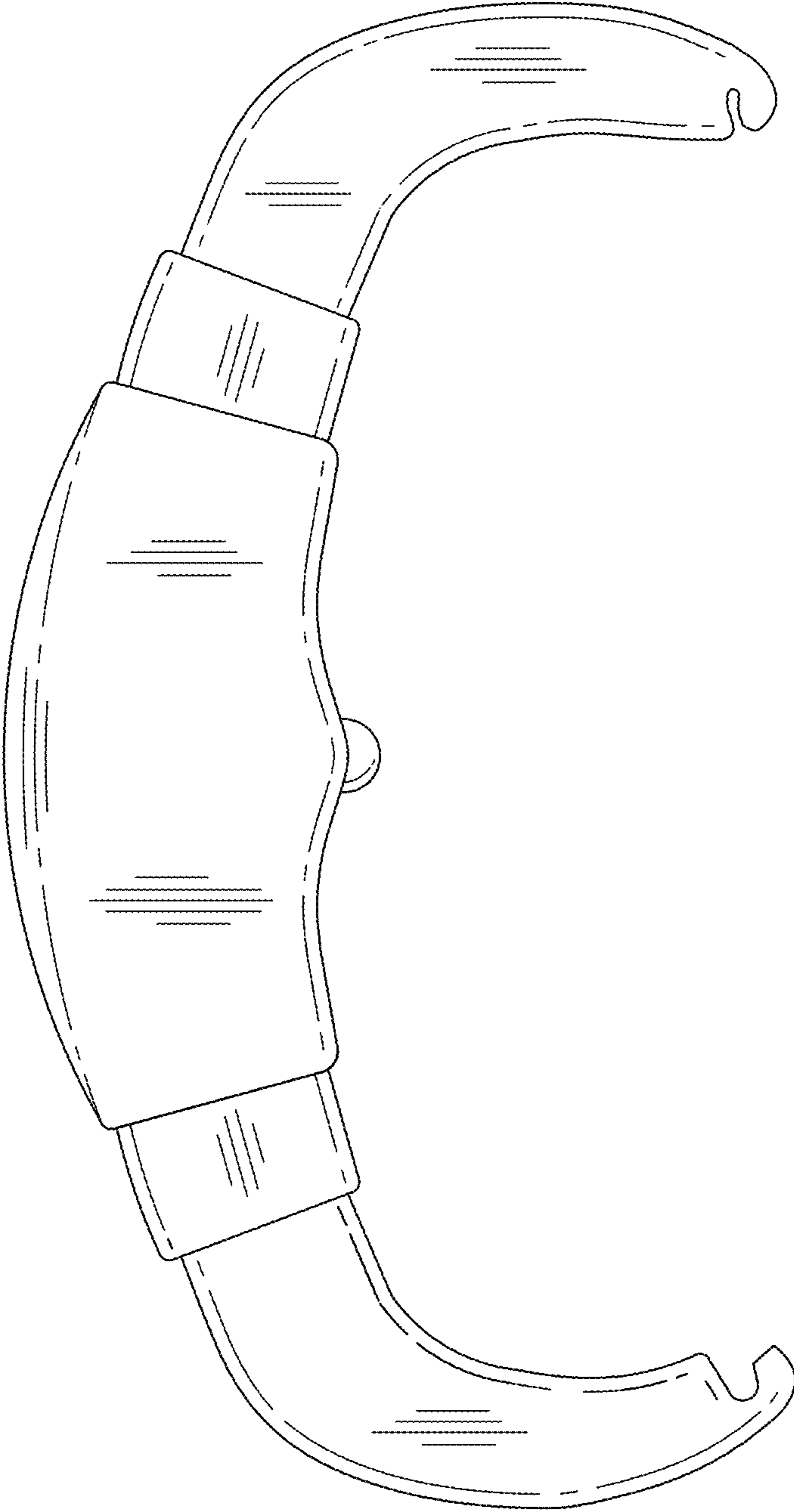
**FIG. 2**



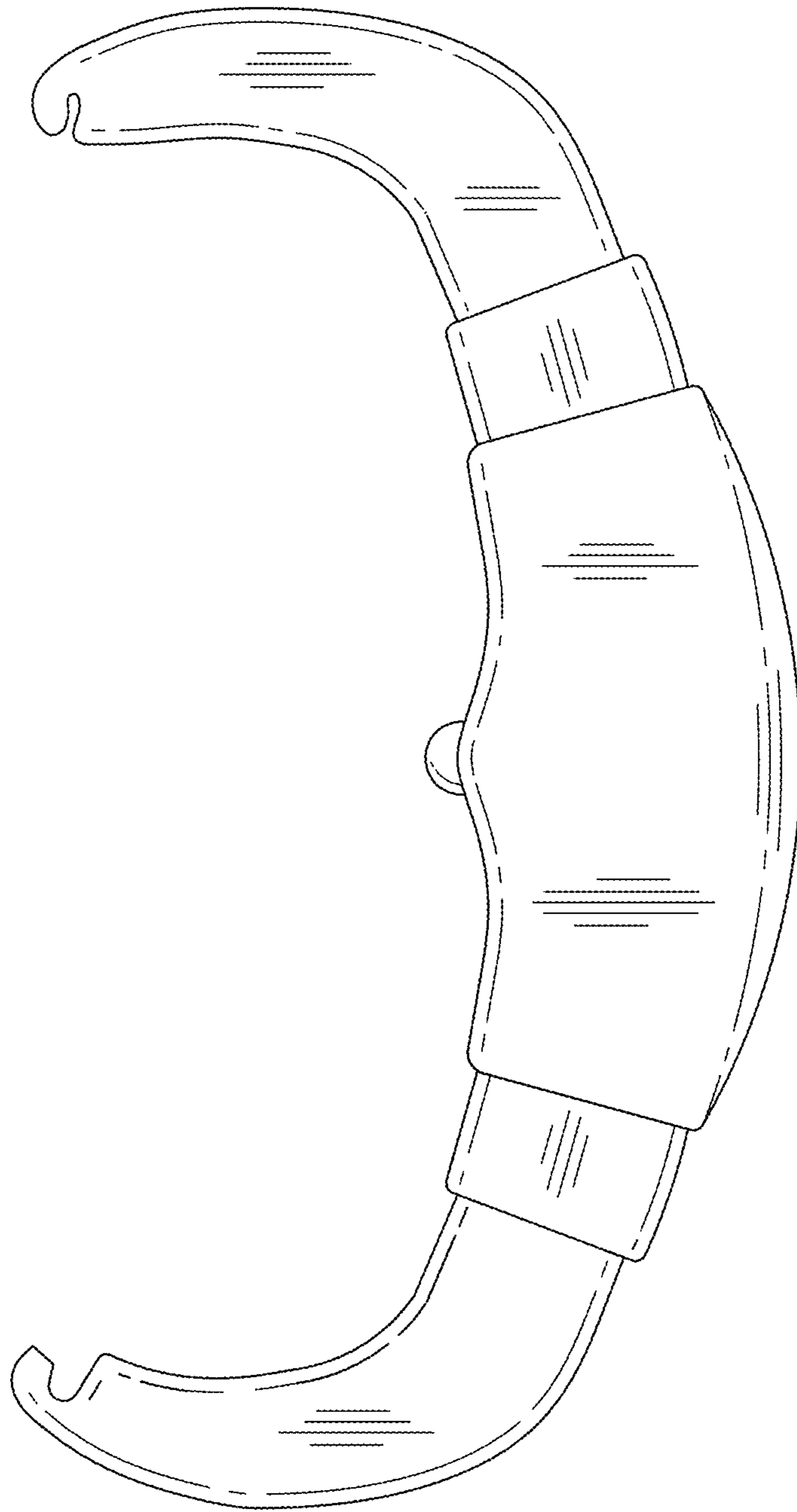
**FIG. 3**



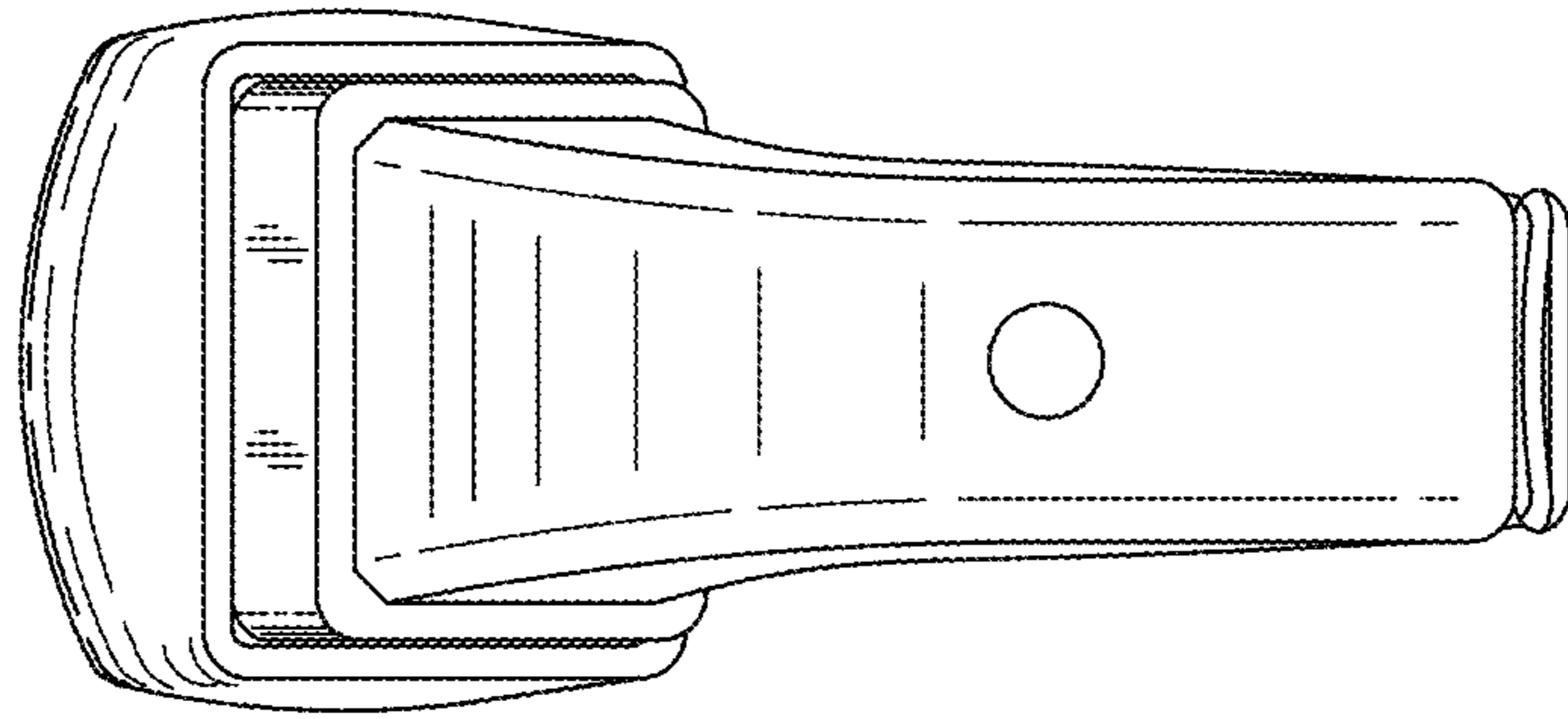
**FIG. 4**



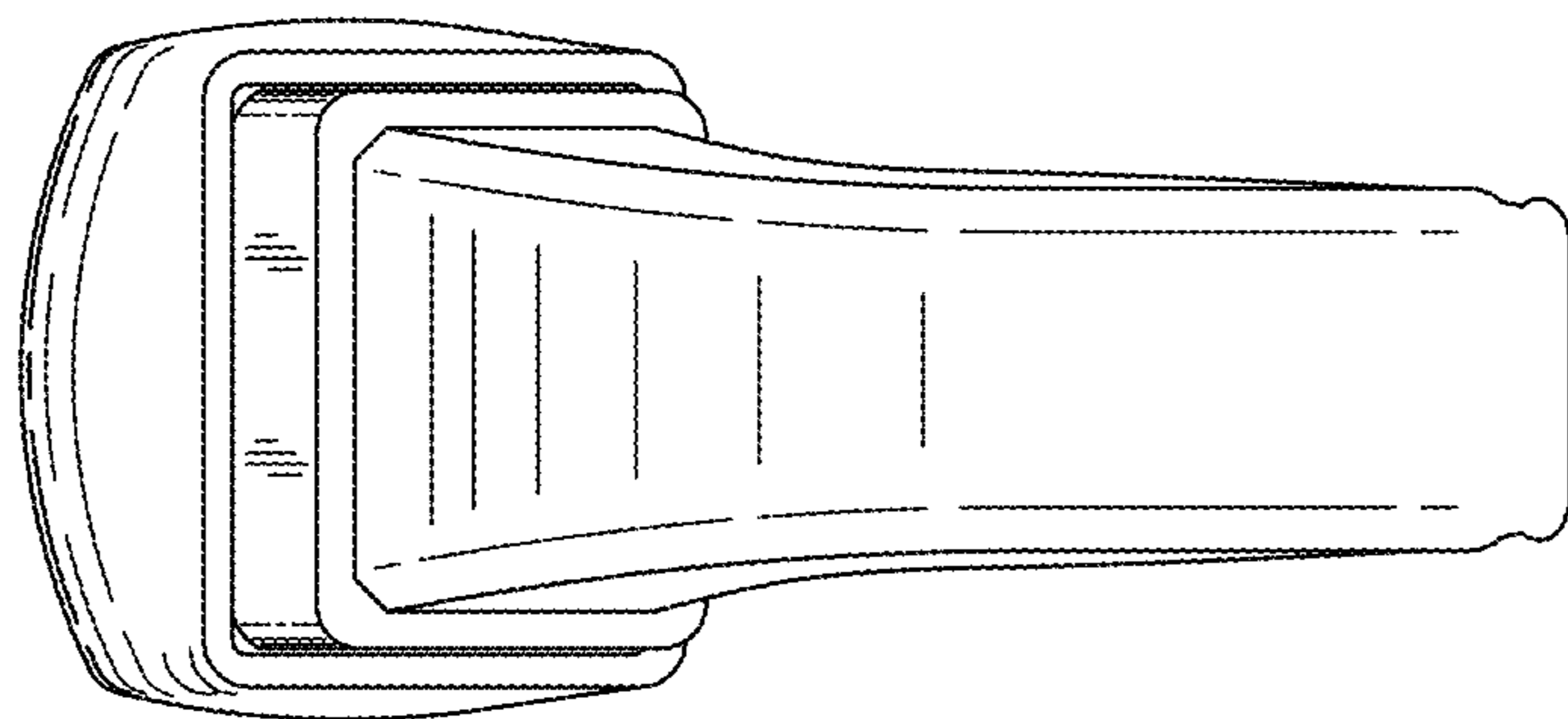
**FIG. 5**



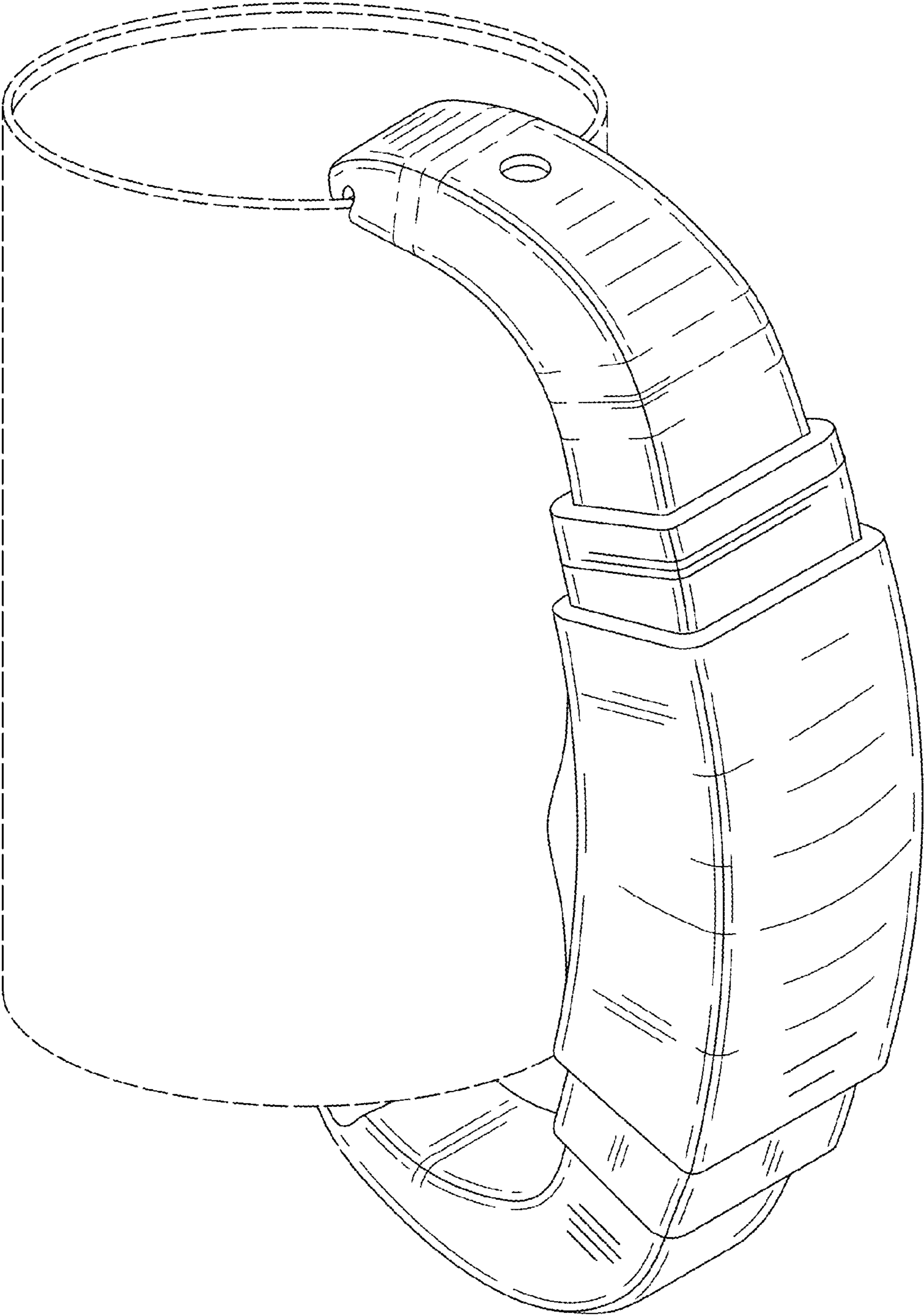
**FIG. 6**



**FIG. 7**



**FIG. 8**



**FIG. 9**