



US00D749366S

(12) **United States Design Patent**
Wirth, Jr.

(10) **Patent No.:** **US D749,366 S**

(45) **Date of Patent:** **** Feb. 16, 2016**

(54) **BOWL**

(71) Applicant: **John Wirth, Jr.**, Portland, OR (US)

(72) Inventor: **John Wirth, Jr.**, Portland, OR (US)

(**) Term: **14 Years**

(21) Appl. No.: **29/504,597**

(22) Filed: **Oct. 7, 2014**

(51) **LOC (10) Cl.** **07-01**

(52) **U.S. Cl.**
USPC **D7/584**

(58) **Field of Classification Search**
USPC D7/584, 500, 560, 554.3, 550.1, 538,
D7/571; 220/574; D30/129; D3/304
CPC A47G 19/02; A47G 19/06; A47G 23/06;
B65D 1/34; A01K 5/0142; A01K 5/0114
See application file for complete search history.

(56) **References Cited**

U.S. PATENT DOCUMENTS

- D56,761 S * 12/1920 Miller D30/129
- D64,850 S * 6/1924 Heisey D7/565
- 5,069,166 A * 12/1991 Ahuna A01K 5/0142
119/61.53
- D424,757 S * 5/2000 Cooper D30/129
- D459,841 S * 7/2002 Ross D30/129
- D474,373 S * 5/2003 Carlson D7/584
- D484,749 S * 1/2004 Garraway D7/584
- D504,196 S * 4/2005 Huthmaker D30/129

- D610,408 S * 2/2010 Paolini D7/500
- D622,012 S * 8/2010 Lorenzana D30/129
- D636,944 S * 4/2011 Anderson D30/129
- D636,945 S * 4/2011 Anderson D30/129
- D648,492 S * 11/2011 Able D30/129
- D704,902 S * 5/2014 Wu D30/129
- D709,655 S * 7/2014 Lipscomb D30/121
- D718,004 S * 11/2014 Stovall D30/129
- 2010/0275852 A1 * 11/2010 Lipscomb A01K 5/0114
119/61.5

* cited by examiner

Primary Examiner — Cynthia Underwood
(74) *Attorney, Agent, or Firm* — patenttm.us

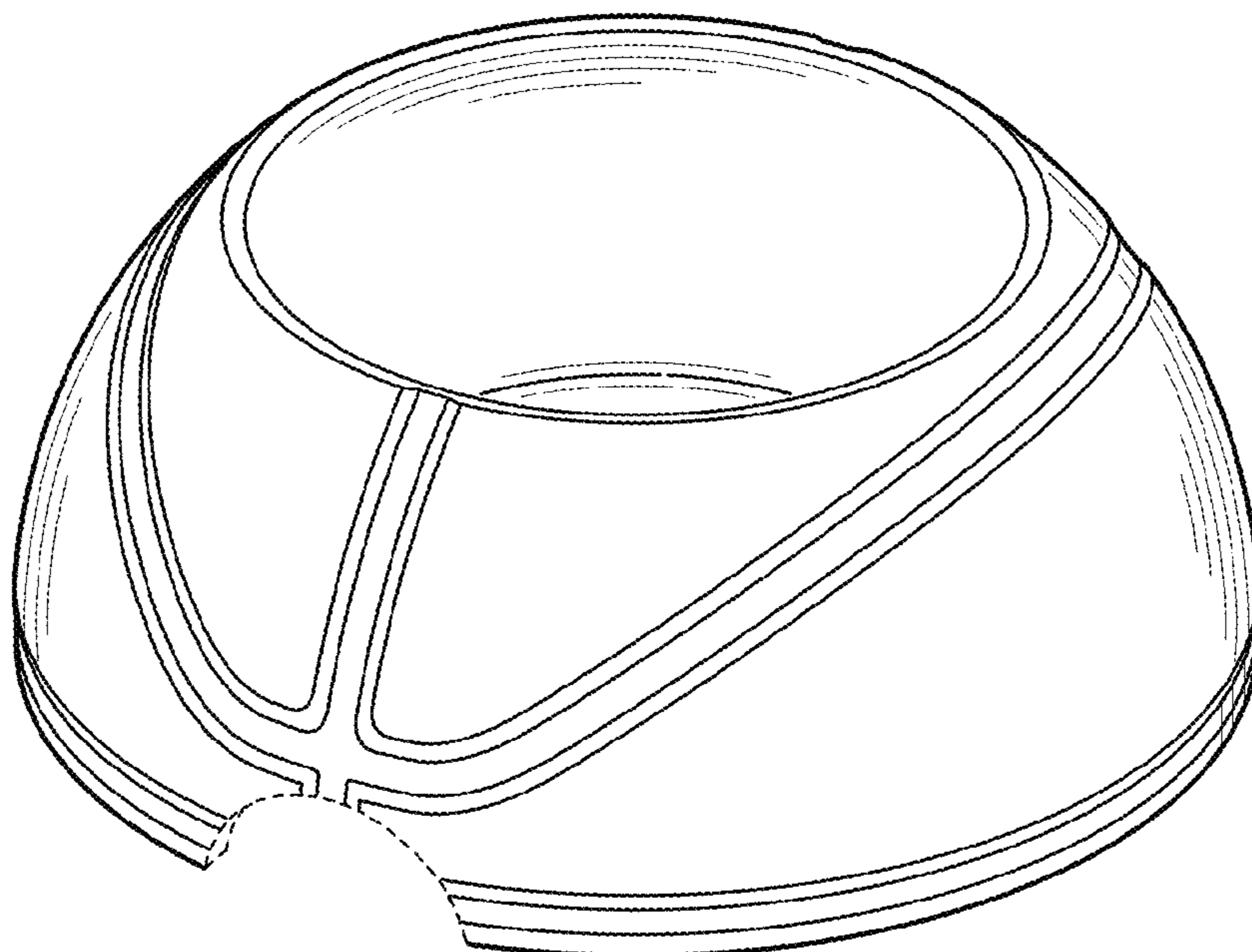
(57) **CLAIM**

I claim the ornamental design for a bowl, as shown and described.

DESCRIPTION

FIG. 1 is a perspective view of a bowl, showing the new design;
FIG. 2 is a front view of the design of FIG. 1;
FIG. 3 is a rear view of the design of FIG. 1;
FIG. 4 is a right side view of the design of FIG. 1, the left side view being a mirror image thereof; and,
FIG. 5 is a top view of the design of FIG. 1.
The broken lines show environment of the claimed subject matter and form no part of the claimed design.
The bottom view forms no part of the design and is omitted.

1 Claim, 2 Drawing Sheets



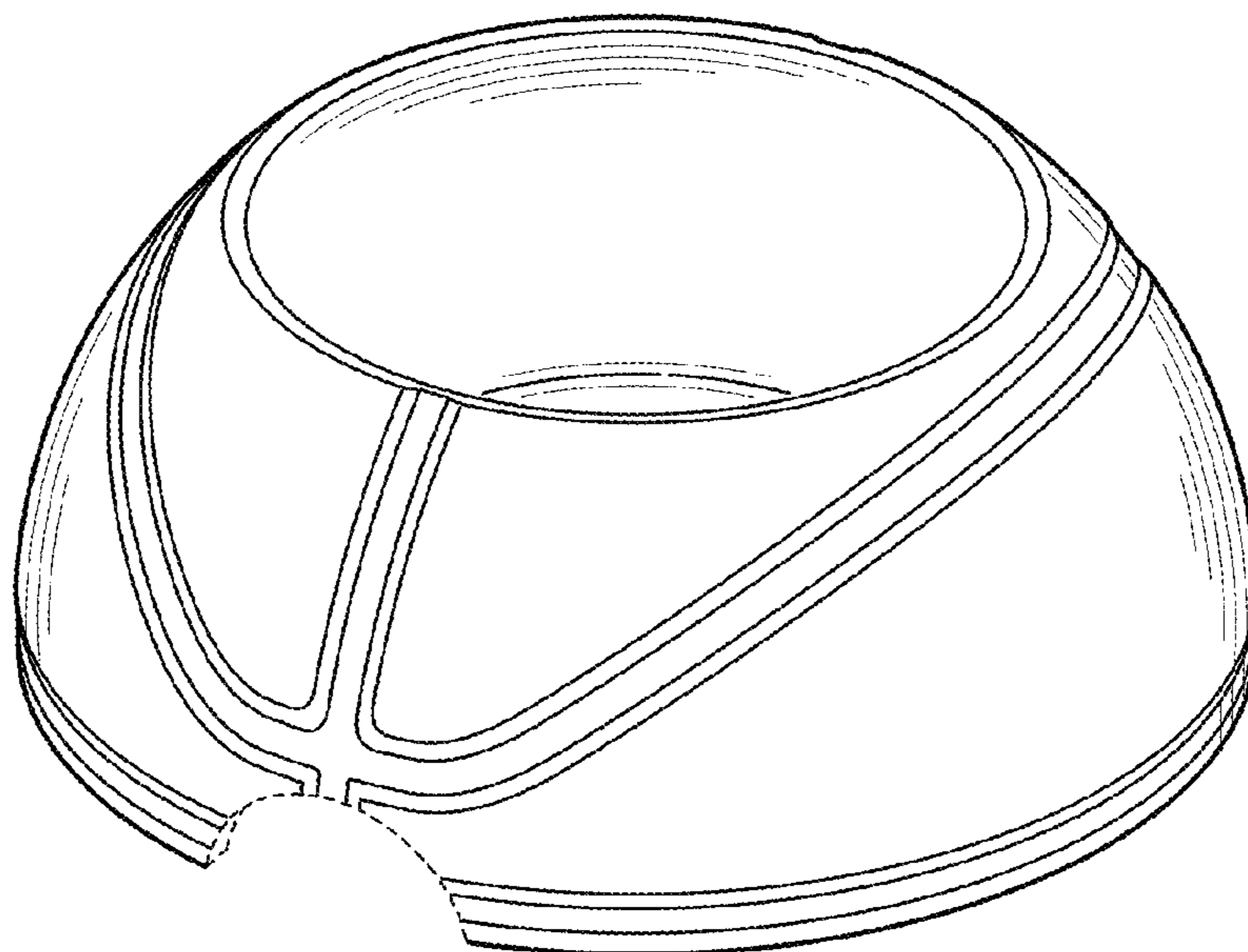


FIG. 1

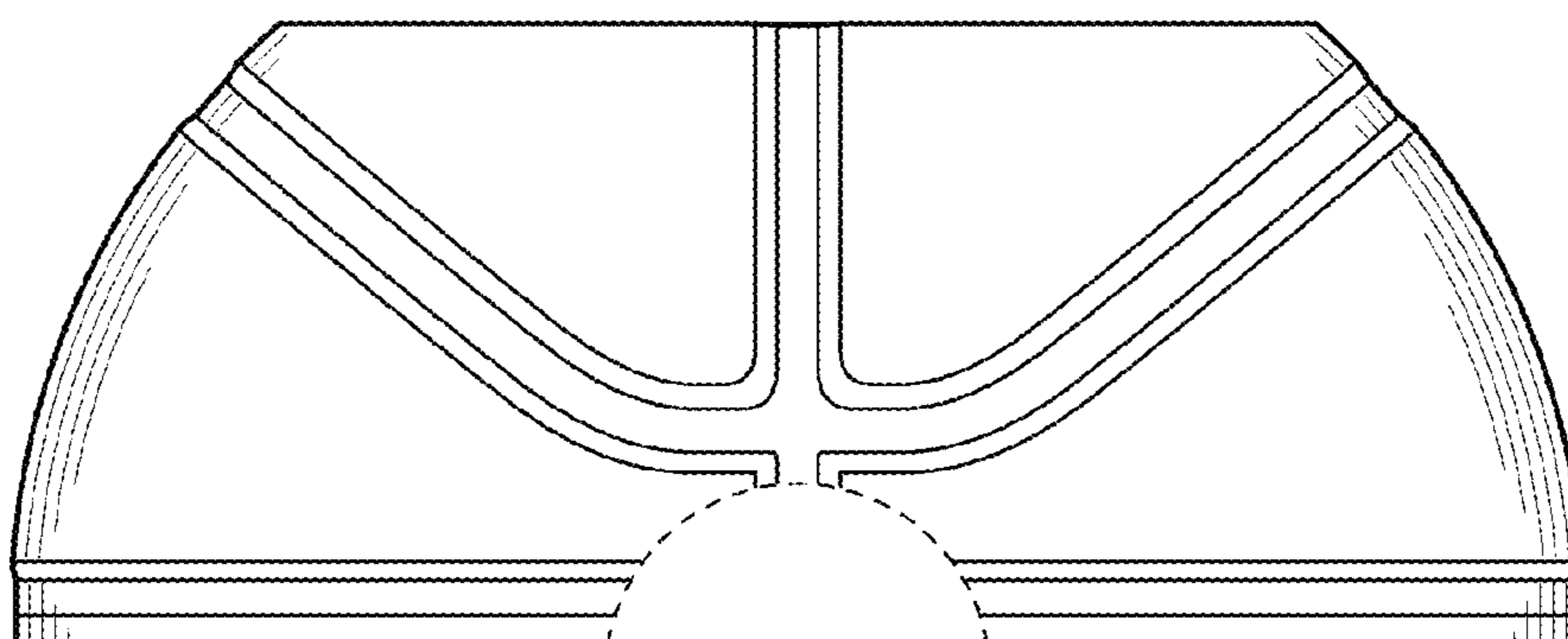


FIG. 2

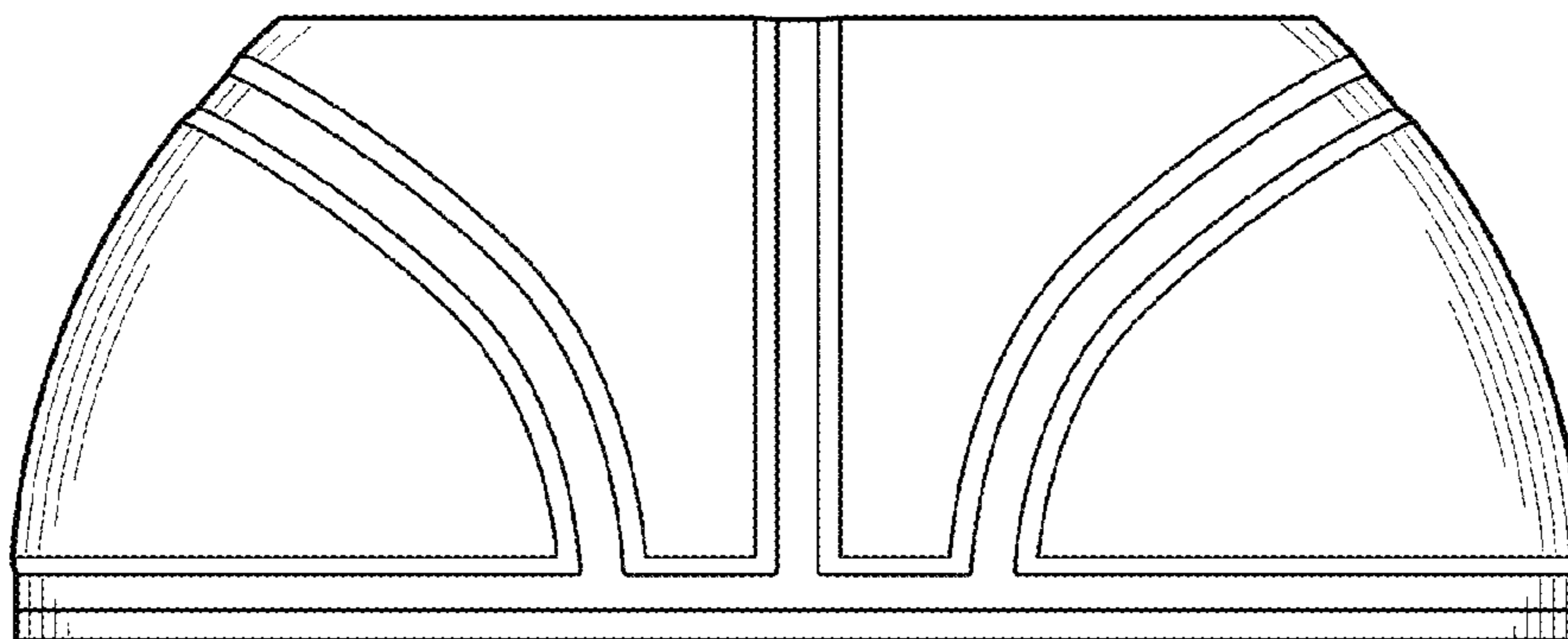


FIG. 3

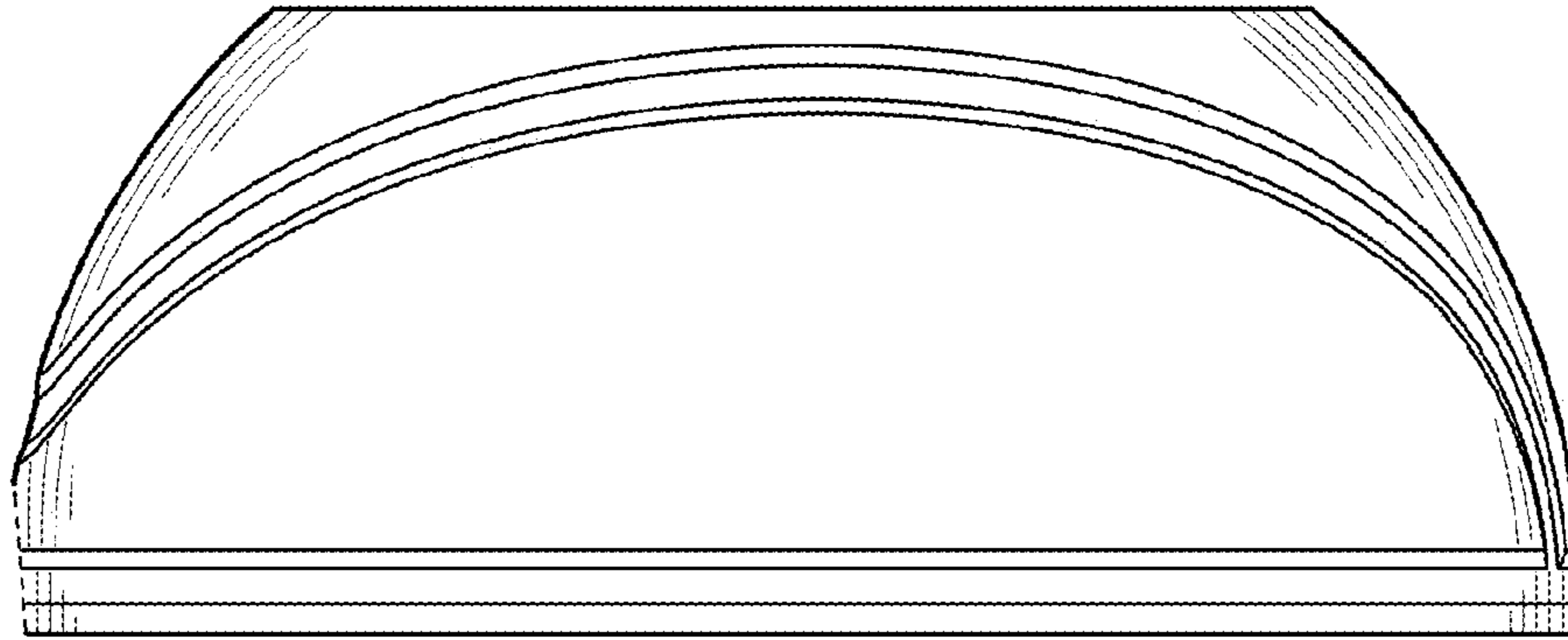


FIG. 4

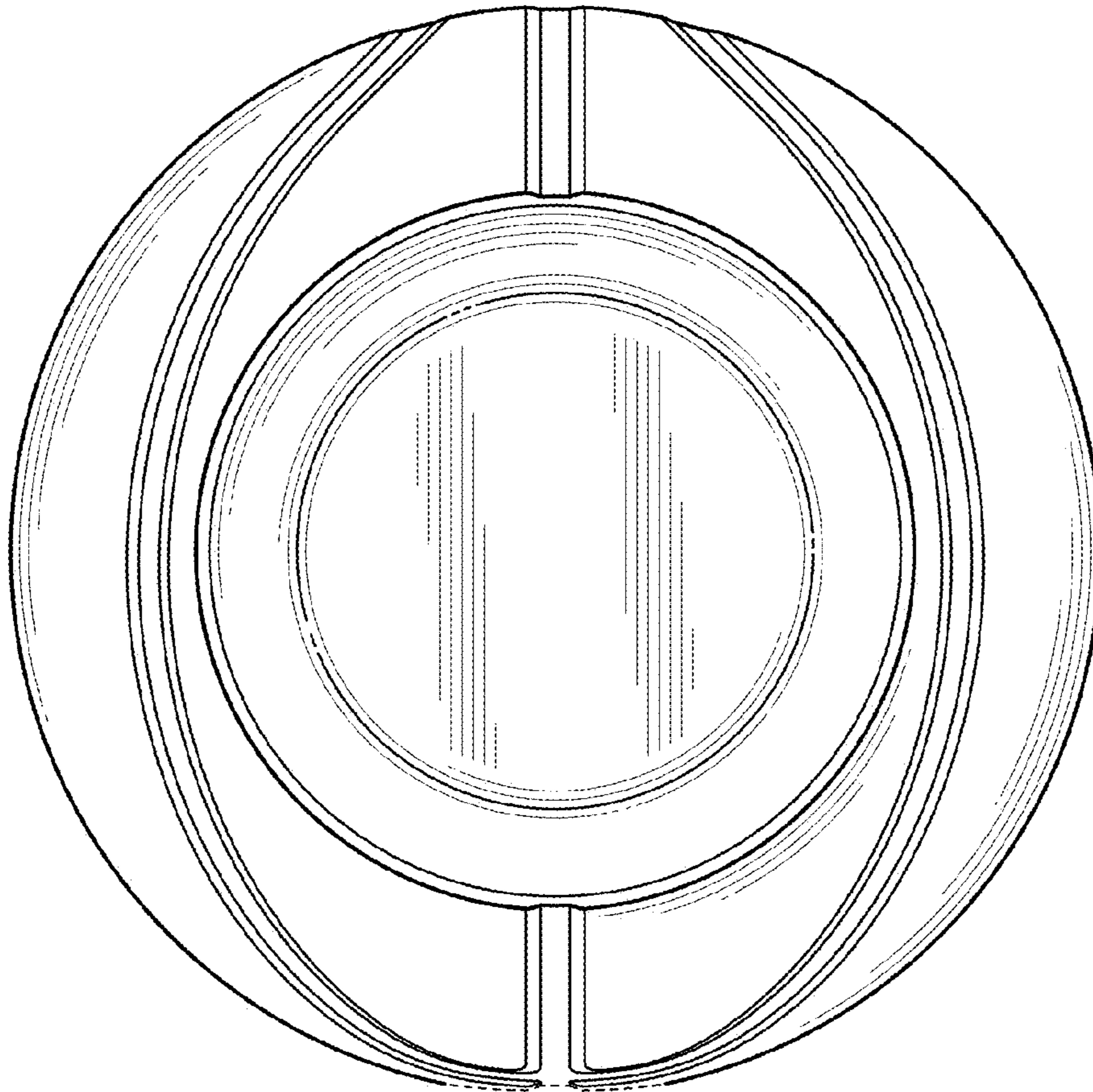


FIG. 5