



US00D749364S

(12) **United States Design Patent**  
**Hebert**

(10) **Patent No.:** **US D749,364 S**  
(45) **Date of Patent:** **\*\* Feb. 16, 2016**

(54) **SHOT GLASS**

(56) **References Cited**

(71) Applicant: **Eric Michael Hebert**, Harrisburg, NC  
(US)

U.S. PATENT DOCUMENTS

(72) Inventor: **Eric Michael Hebert**, Harrisburg, NC  
(US)

D300,351 S *	3/1989	Juaire .....	D23/302
D372,962 S *	8/1996	Thomas .....	D23/302
D405,876 S *	2/1999	Thomas .....	D23/302
D510,133 S *	9/2005	Hauflaire .....	D23/302
D618,323 S *	6/2010	Ogawa .....	D23/302
7,992,231 B1 *	8/2011	Schlicksup .....	E03D 13/00 4/300.3
D723,336 S *	3/2015	Ash .....	D7/515
D743,012 S *	11/2015	Ahola .....	D23/302

(73) Assignee: **Fairly Odd Treasures, LLC.**,  
Harrisburg, NC (US)

(\*\*) Term: **14 Years**

\* cited by examiner

(21) Appl. No.: **29/513,806**

*Primary Examiner* — Marianne Pandozzi

(22) Filed: **Jan. 6, 2015**

(57) **CLAIM**

The ornamental design for a shot glass, as shown and described.

(51) **LOC (10) Cl.** ..... **07-01**

**DESCRIPTION**

(52) **U.S. Cl.**

USPC ..... **D7/515**; D23/302

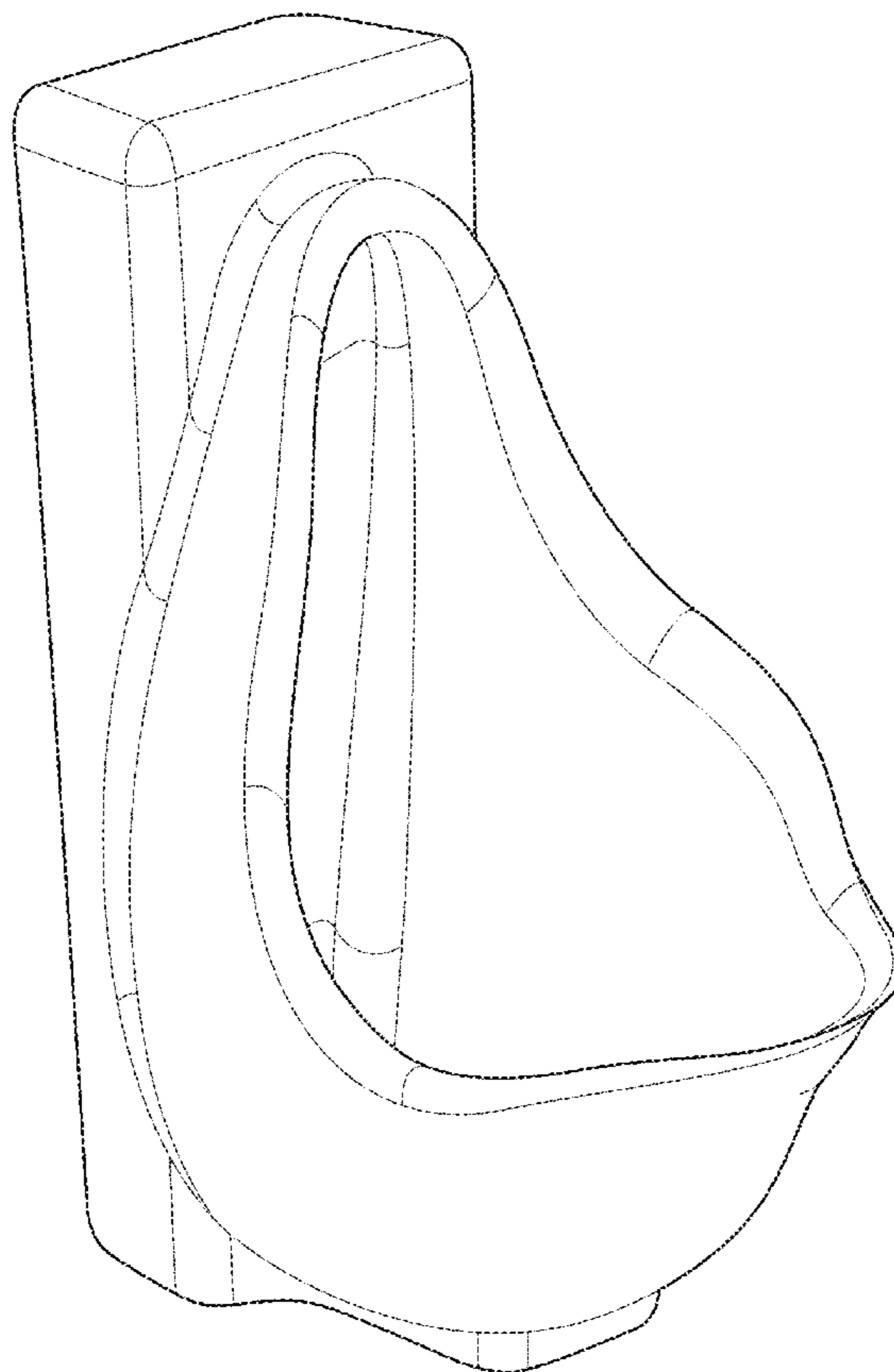
(58) **Field of Classification Search**

USPC ..... D7/523, 532, 524, 509, 515, 514, 300.1,  
D7/536, 533, 368, 306; 220/703, 592.16,  
220/592.17; 215/382; D23/302

CPC ... A47G 19/22; A47G 19/23; A47G 19/2205;  
A24F 3/00; E03D 13/00; A47K 17/00

See application file for complete search history.

**1 Claim, 7 Drawing Sheets**



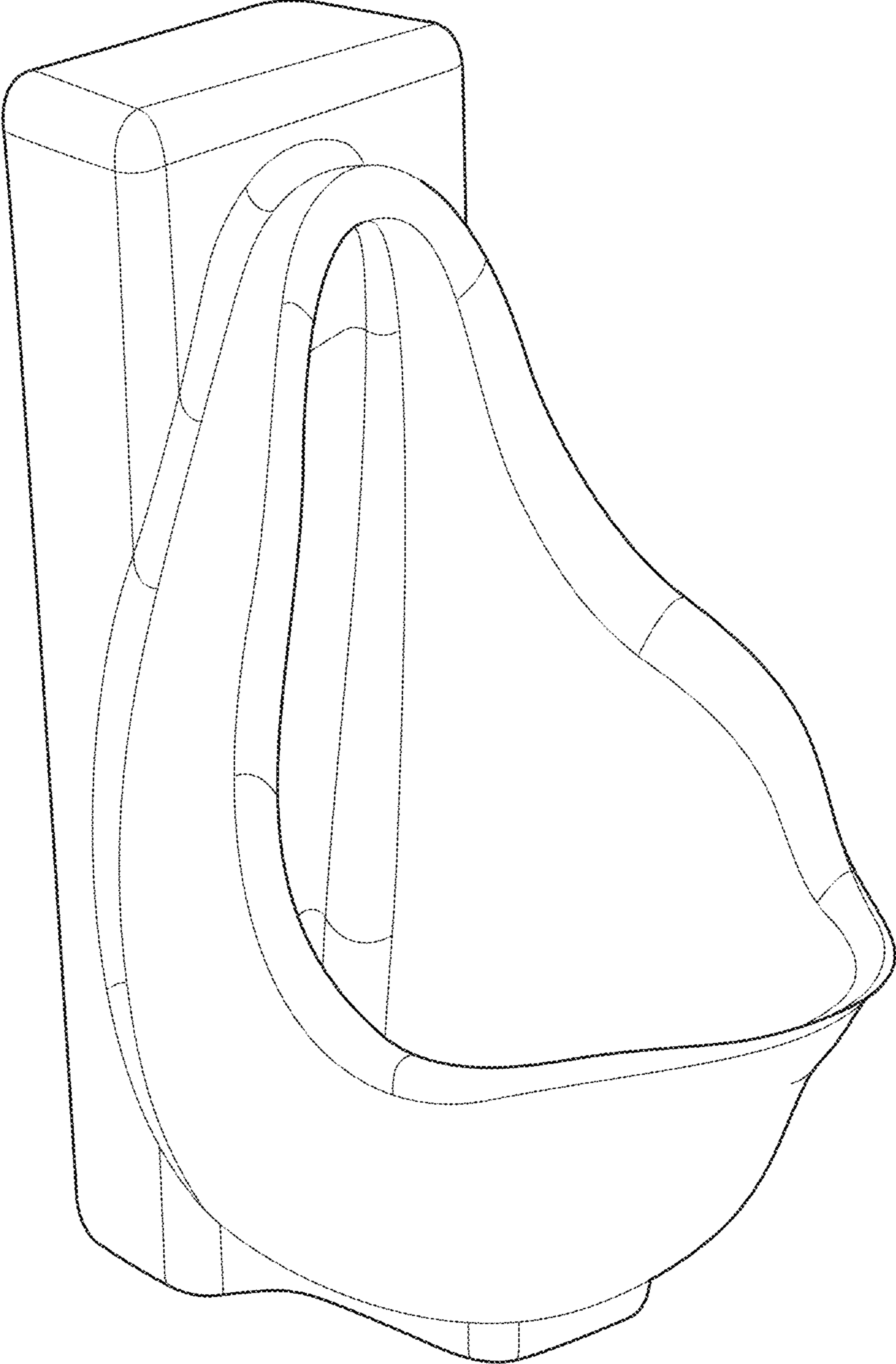


FIG. 1

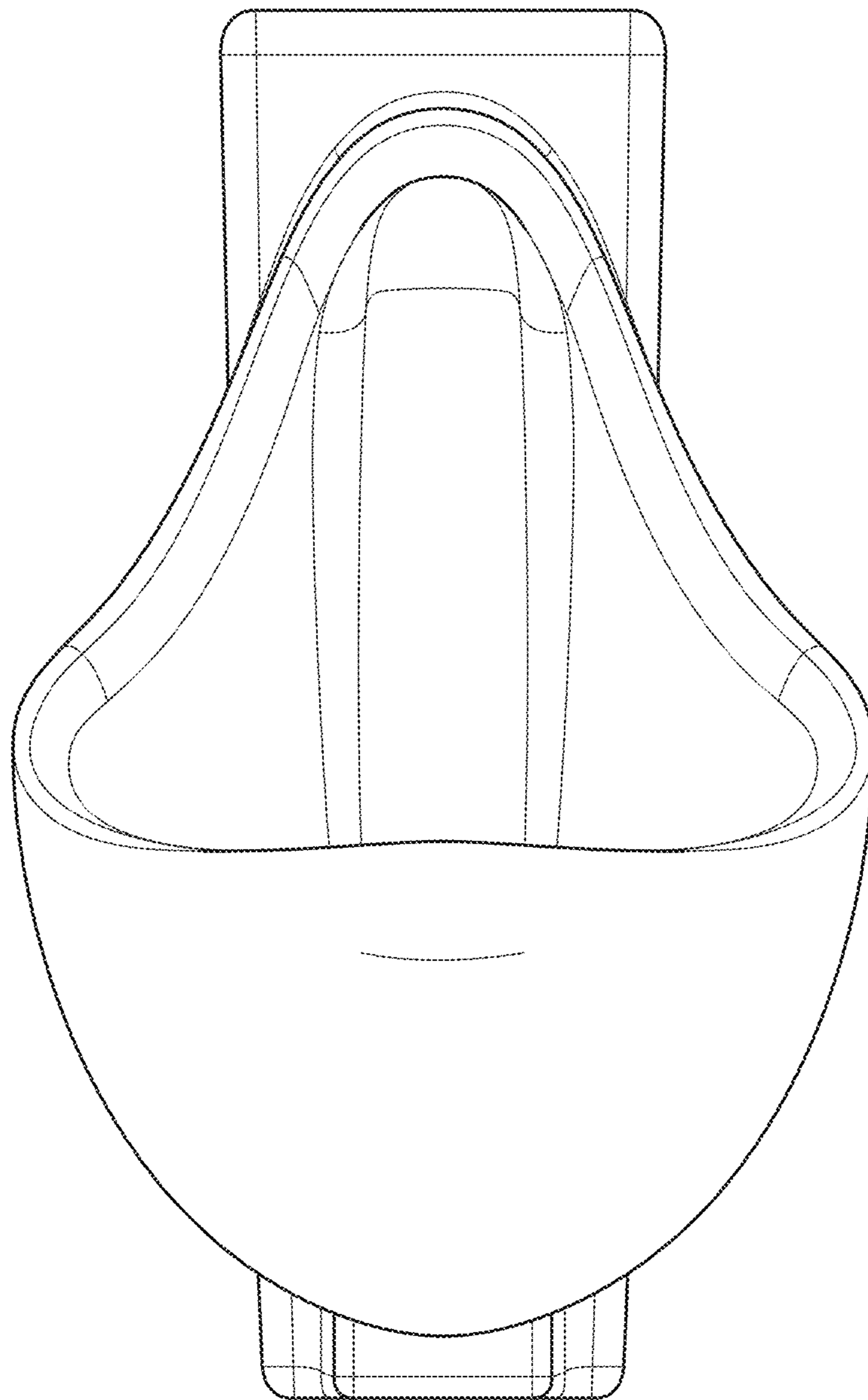


FIG. 2

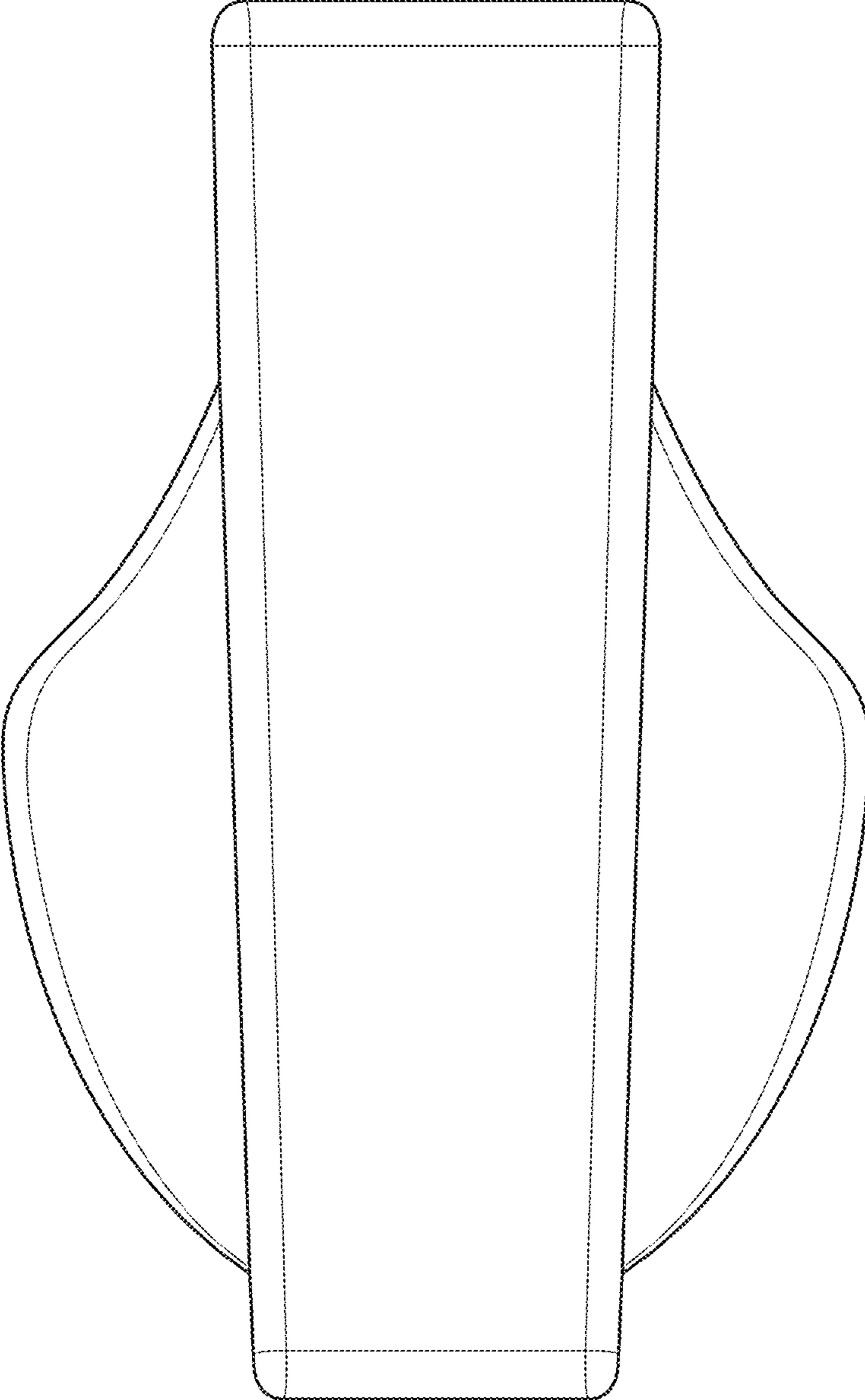


FIG. 3

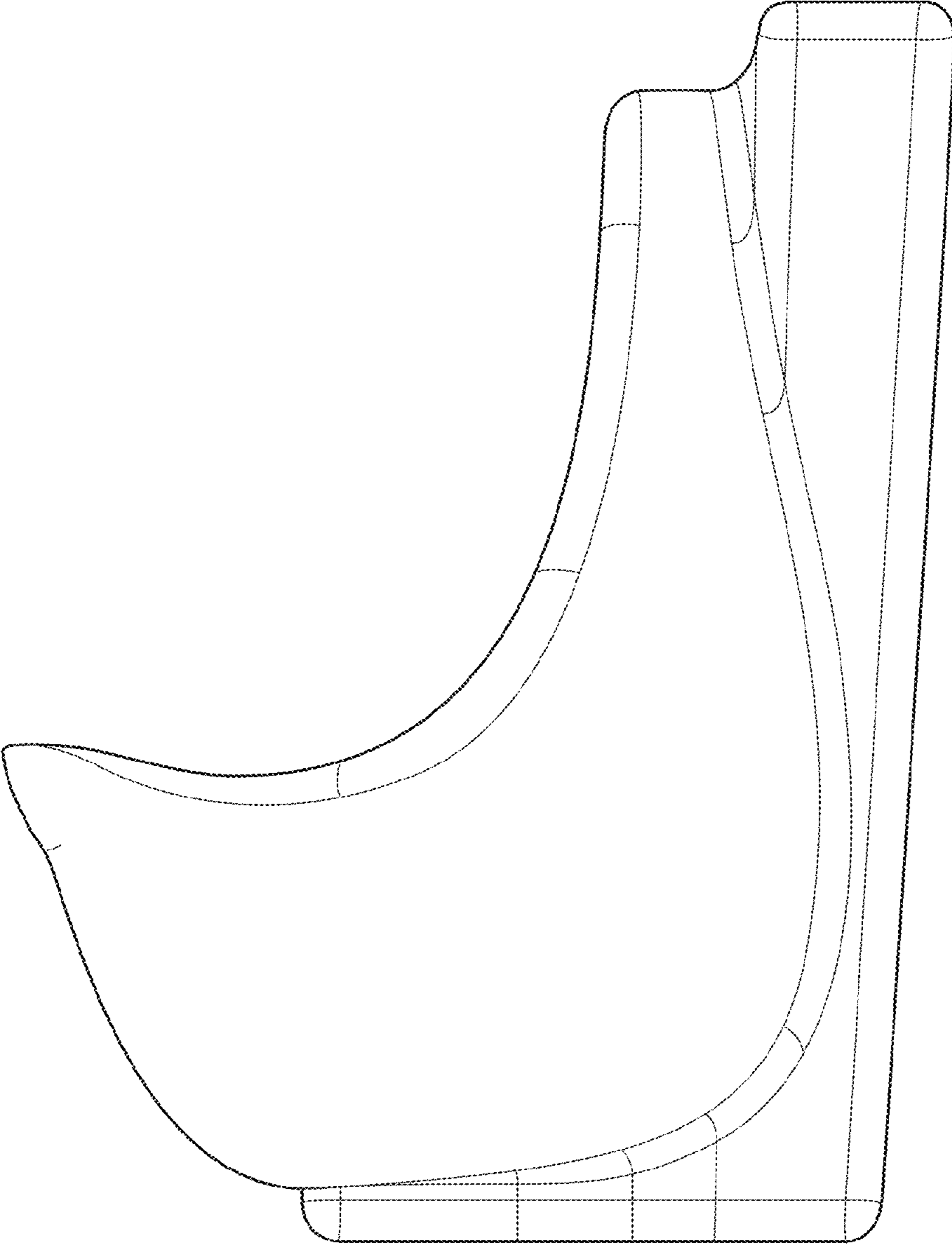


FIG. 4

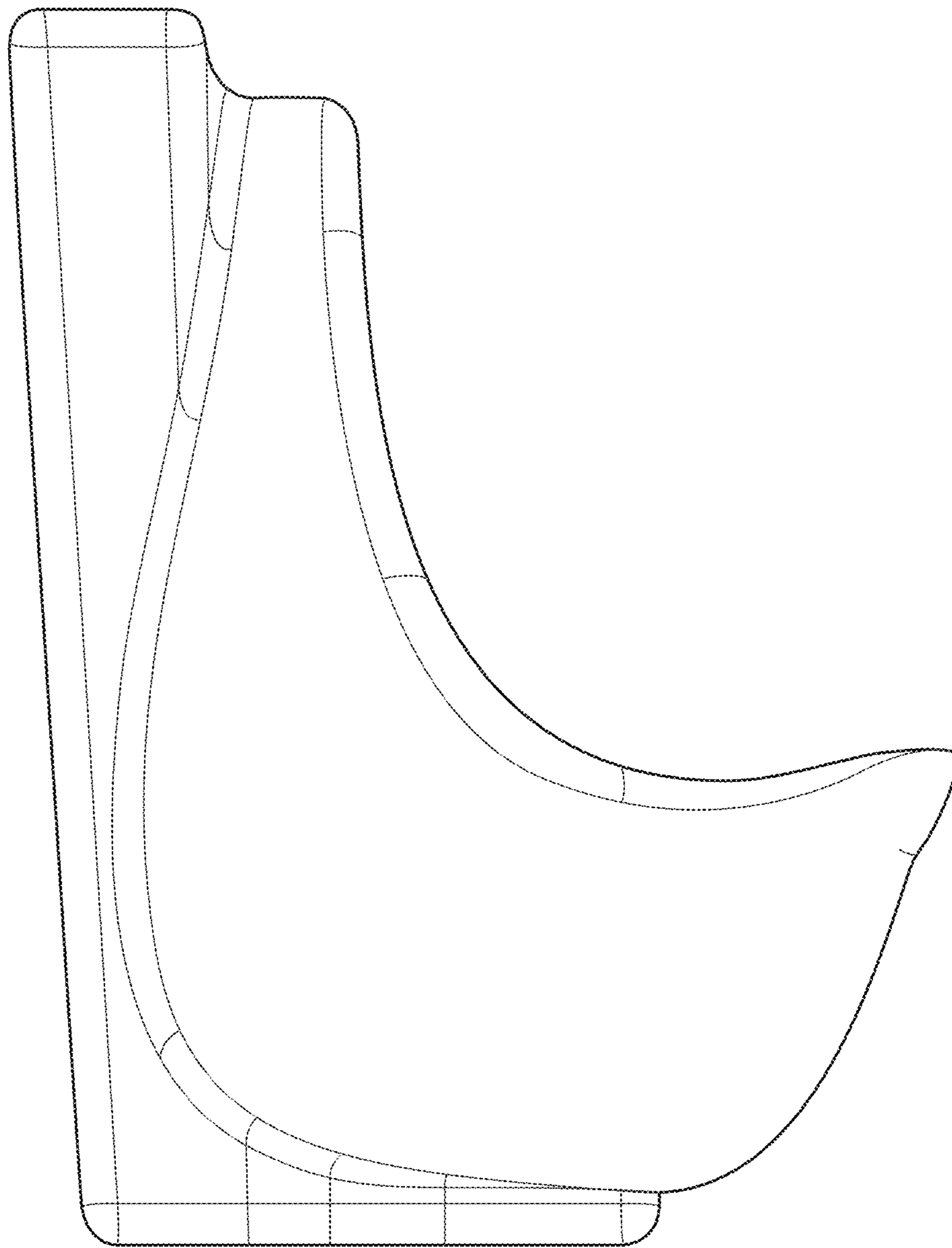


FIG. 5

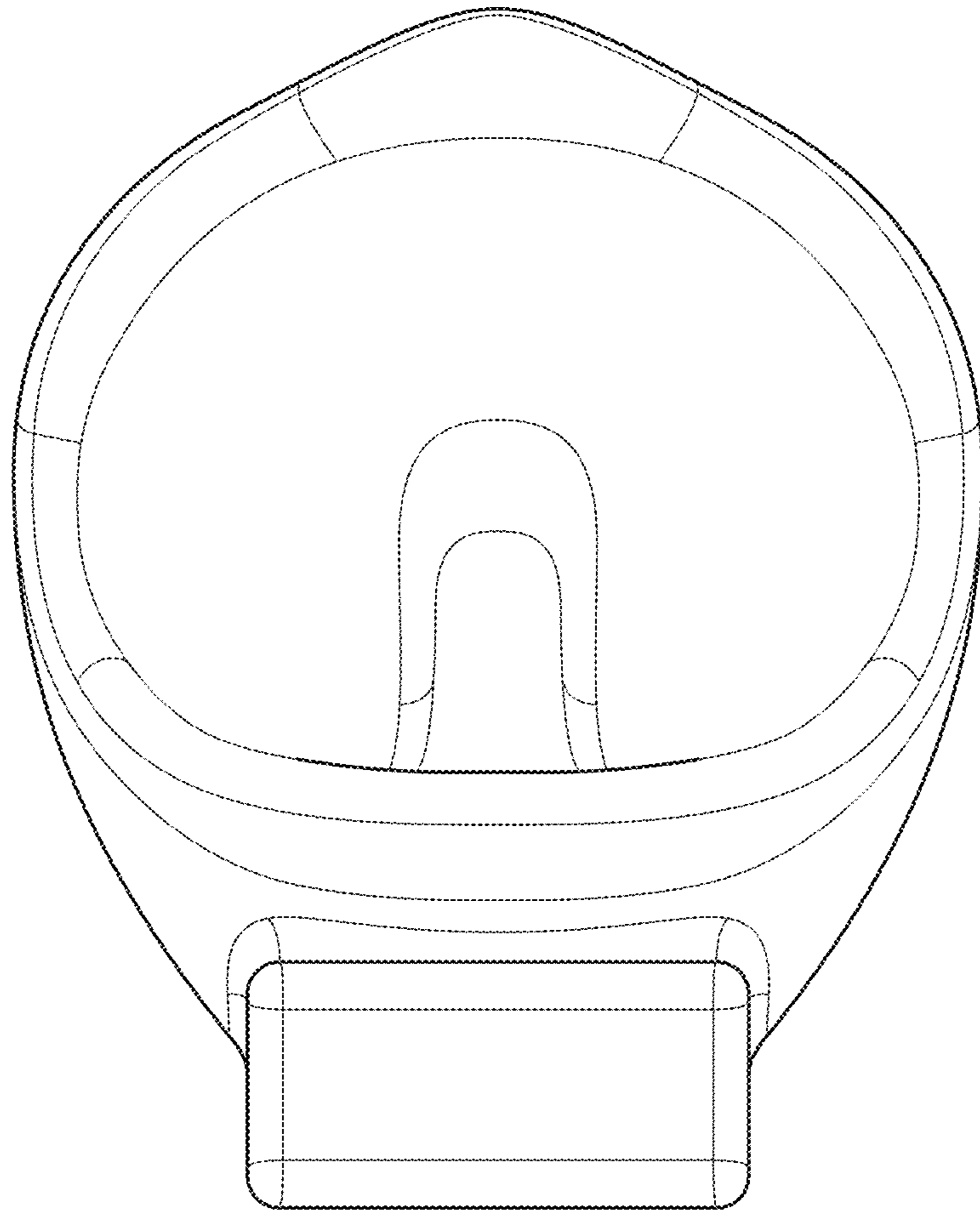


FIG. 6

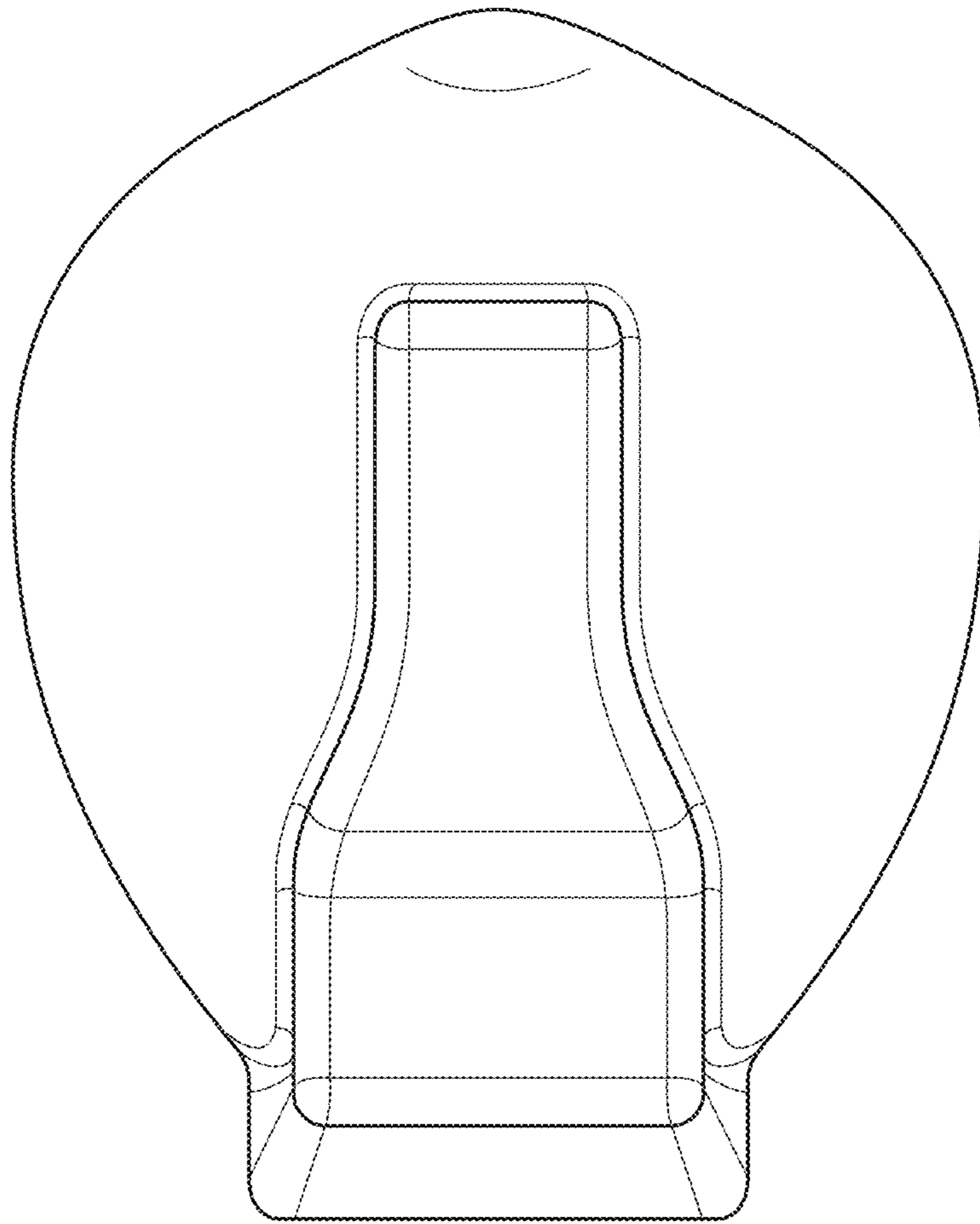


FIG. 7