



US00D749363S

(12) **United States Design Patent**  
**Tacker et al.**

(10) **Patent No.:** **US D749,363 S**  
(45) **Date of Patent:** **\*\* Feb. 16, 2016**

(54) **FLUID CONTAINER**

(71) Applicants: **Sharon Tacker**, Albuquerque, NM (US);  
**Joel Beebe**, Columbus, OH (US);  
**Matthew Seibert**, Columbus, OH (US);  
**Christopher Hawker**, Columbus, OH (US);  
**Christopher Brown**, Columbus, OH (US);  
**Chris Trunek**, Salt Lake City, UT (US)

(72) Inventors: **Sharon Tacker**, Albuquerque, NM (US);  
**Joel Beebe**, Columbus, OH (US);  
**Matthew Seibert**, Columbus, OH (US);  
**Christopher Hawker**, Columbus, OH (US);  
**Christopher Brown**, Columbus, OH (US);  
**Chris Trunek**, Salt Lake City, UT (US)

(73) Assignee: **Sharon Tacker**, Albuquerque, NM (US)

(\*\*) Term: **14 Years**

(21) Appl. No.: **29/479,211**

(22) Filed: **Jan. 13, 2014**

(51) **LOC (10) Cl.** ..... **07-01**

(52) **U.S. Cl.**  
USPC ..... **D7/510; D7/511; D9/417; D9/420**

(58) **Field of Classification Search**  
USPC ..... **D7/507, 509, 510, 511, 523, 531, 538,**  
**D7/548, 543, 619.1, 624.3, 515; D9/417,**  
**D9/420, 425; D27/187, 191, 161;**  
**D13/144; D10/2; 43/13; 215/387;**  
**220/703, 278**  
CPC .. **A47G 19/2266; A47G 19/2222; A45F 3/16;**  
**B65B 1/04; B65B 1/00; B65B 3/00; B65B**  
**5/00; B65D 83/00**

See application file for complete search history.

(56) **References Cited**

**U.S. PATENT DOCUMENTS**

D155,963 S \* 11/1949 Alvarez ..... D7/619.1  
2,724,536 A 11/1955 Pugh

(Continued)

**OTHER PUBLICATIONS**

Rubbermaid Litterless Juice Box, product description [online] [retrieved Feb. 26, 2015]. Retrieved using Internet <URL: http://www.rubbermaid.com/Category/Pages/ProductDetail.aspx?Prod\_ID=RP091206>. (Continued)

*Primary Examiner* — Marianne Pandozzi

*Assistant Examiner* — Jae Liang

(74) *Attorney, Agent, or Firm* — Benesch Friedlander Coplan & Aronoff LLP; Thomas Y. Kendrick

(57) **CLAIM**

The ornamental design for a fluid container, as shown and described.

**DESCRIPTION**

FIG. 1 is a front elevational closed view of a fluid container showing our new design;

FIG. 2 is a reduced scale front elevational partially open view thereof;

FIG. 3 is a reduced scale front elevational fully open view thereof;

FIG. 4 is a left side elevational closed view thereof;

FIG. 5 is a reduced scale left side elevational partially open view thereof;

FIG. 6 is a reduced scale alternative left side elevational fully open view thereof;

FIG. 7 is a right side elevational closed view thereof;

FIG. 8 is a reduced scale right side elevational partially open view thereof;

FIG. 9 is a reduced scale right side elevational fully open view thereof;

FIG. 10 is a rear elevational closed view thereof;

FIG. 11 is a reduced scale rear elevational partially open view thereof;

FIG. 12 is a reduced scale rear elevational fully open view thereof;

FIG. 13 is an enlarged top plan closed view thereof;

FIG. 14 is a top plan partially open view thereof;

FIG. 15 is a reduced scale top plan fully open view thereof;

FIG. 16 is a bottom plan closed view thereof;

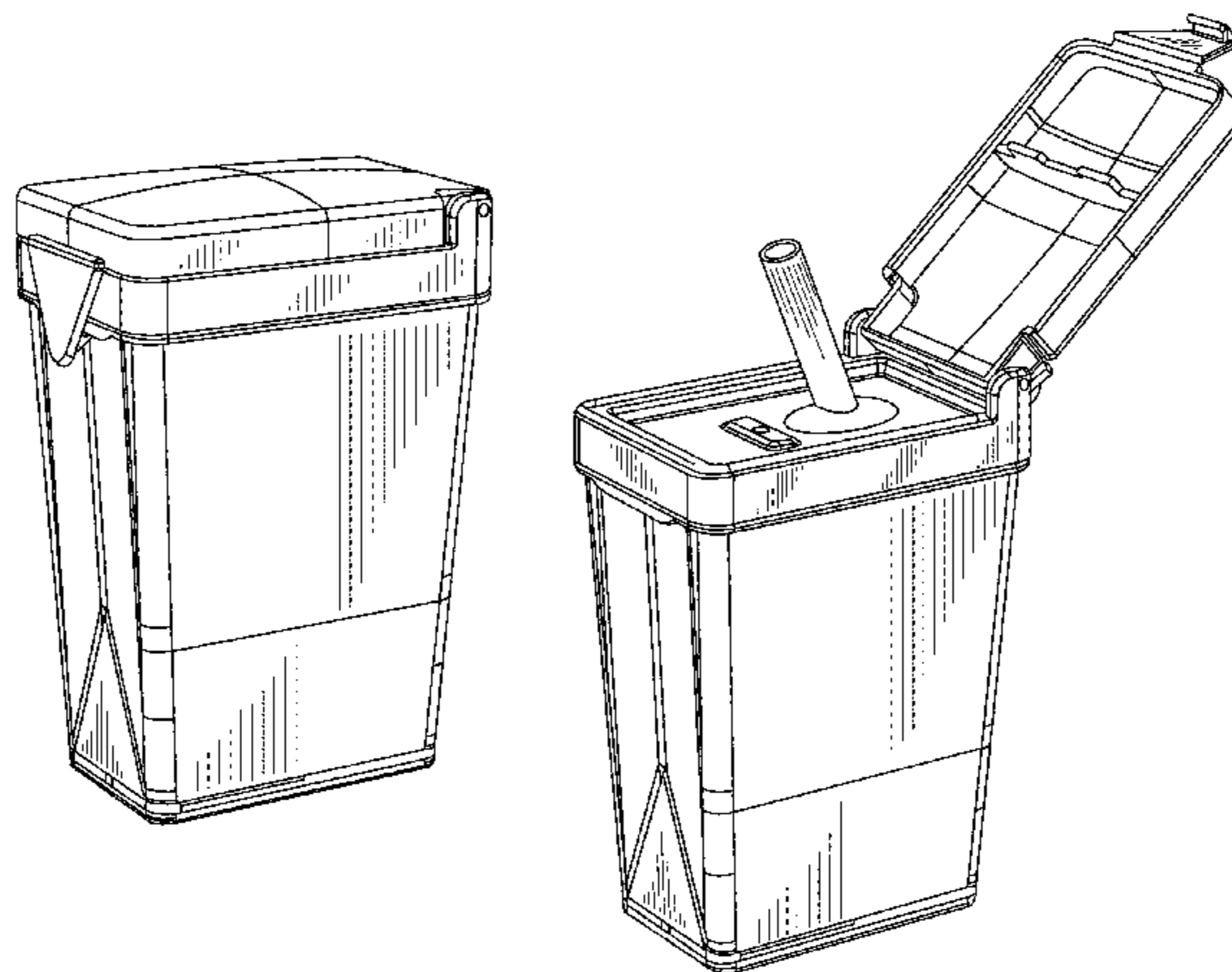
FIG. 17 is a reduced scale alternative bottom plan partially open view thereof;

FIG. 18 is a reduced scale alternative bottom plan fully open view thereof;

FIG. 19 is a front perspective closed view thereof;

FIG. 20 is a front perspective partially open view thereof; and, FIG. 21 is a reduced scale front perspective fully open view thereof.

**1 Claim, 21 Drawing Sheets**





(56)

## References Cited

## U.S. PATENT DOCUMENTS

2,765,949 A \* 10/1956 Hillman ..... 220/835  
 2,805,809 A 9/1957 Pugh  
 3,223,275 A \* 12/1965 Rice, Jr. .... 220/324  
 3,240,415 A 3/1966 Pugh  
 3,303,984 A 2/1967 Jurena  
 3,795,359 A \* 3/1974 Rausing ..... 229/216  
 D239,777 S \* 5/1976 Goto ..... D27/160  
 4,111,638 A \* 9/1978 Ostberg ..... 431/13  
 D252,257 S 7/1979 Dobbs et al.  
 4,407,425 A \* 10/1983 Combs ..... 220/269  
 4,485,963 A 12/1984 Panicci  
 4,538,731 A \* 9/1985 Cillario ..... 206/540  
 4,828,141 A 5/1989 Coy  
 4,852,762 A 8/1989 Chou-Sheng  
 4,974,744 A 12/1990 Shanklin et al.  
 4,986,435 A 1/1991 Wright  
 D314,837 S \* 2/1991 Nitta ..... D27/154  
 D319,019 S 8/1991 Shanklin et al.  
 D320,941 S \* 10/1991 Lyon ..... D9/455  
 5,052,575 A 10/1991 Ravreby  
 5,150,811 A 9/1992 Kelston  
 D330,674 S \* 11/1992 Lyon ..... D9/420  
 D331,685 S 12/1992 Hetherington et al.  
 5,188,283 A 2/1993 Gu  
 D340,642 S 10/1993 Detzel et al.  
 5,292,021 A 3/1994 Lyon  
 5,482,202 A 1/1996 Wen  
 5,518,142 A 5/1996 Lin  
 5,520,304 A 5/1996 Lin  
 D371,281 S 7/1996 Credle, Jr.  
 D377,887 S 2/1997 Credle, Jr.  
 5,626,255 A 5/1997 Myers  
 D412,646 S 8/1999 Credle, Jr.  
 5,950,857 A 9/1999 Rosen  
 6,050,433 A 4/2000 Russell et al.  
 6,050,444 A 4/2000 Sugg  
 6,116,457 A 9/2000 Haberman  
 D432,263 S \* 10/2000 Issa ..... D27/191  
 D439,370 S \* 3/2001 Chen ..... D27/161  
 6,196,413 B1 3/2001 Tung  
 D440,352 S \* 4/2001 Gore et al. .... D27/191  
 D441,494 S \* 5/2001 Chen ..... D27/144  
 6,431,434 B1 \* 8/2002 Haughton et al. .... 229/103.1  
 D469,214 S \* 1/2003 Balko ..... D27/189  
 D485,754 S \* 1/2004 Fielder et al. .... D9/416  
 6,783,024 B2 \* 8/2004 Lee ..... 220/707  
 D506,572 S \* 6/2005 Tufts et al. .... D27/161  
 7,097,065 B2 8/2006 Yoneoka et al.  
 D547,607 S 7/2007 Forsman  
 D549,573 S \* 8/2007 Liebe et al. .... D9/420  
 7,255,241 B2 8/2007 Yoneoka et al.  
 7,328,820 B2 2/2008 Young  
 D593,803 S \* 6/2009 Olsson ..... D7/550.1  
 D614,805 S \* 4/2010 Klaes ..... D27/161  
 D634,625 S 3/2011 Wallace et al.  
 D638,658 S 5/2011 Staton  
 D639,118 S 6/2011 Huang  
 D644,507 S \* 9/2011 Lee et al. .... D9/417  
 D669,734 S \* 10/2012 Lemieux et al. .... D7/510  
 D690,199 S \* 9/2013 Lee et al. .... D9/432  
 D690,461 S \* 9/2013 Chen ..... D27/187  
 D715,640 S \* 10/2014 Okezawa ..... D9/430  
 D723,373 S \* 3/2015 Wahl ..... D9/523

D725,465 S \* 3/2015 Voelker ..... D9/430  
 D731,303 S \* 6/2015 Daggett ..... D9/420  
 D733,556 S \* 7/2015 De Pietri Tonelli et al. ... D9/431  
 2008/0264518 A1 10/2008 Collins  
 2008/0272122 A1 \* 11/2008 Son ..... 220/278  
 2011/0038564 A1 2/2011 Slansky  
 2014/0034644 A1 \* 2/2014 Wahl ..... 220/254.6

## OTHER PUBLICATIONS

Rubbermaid Chug Bottle, product description [online] [retrieved Feb. 26, 2015]. Retrieved using Internet <URL: [http://www.rubbermaid.com/Category/Pages/ProductDetail.aspx?Prod\\_ID=RP091201](http://www.rubbermaid.com/Category/Pages/ProductDetail.aspx?Prod_ID=RP091201)>.

Camelbak BPA Free Bottles, product description [online] [retrieved Feb. 26, 2015]. Retrieved from Camelbak website using Internet <URL: [http://shop.camelbak.com/groove-75I/d/1207\\_cl\\_1527](http://shop.camelbak.com/groove-75I/d/1207_cl_1527)>.

Thermos Intak Hydration Bottle, product description [online] [retrieved Feb. 26, 2015]. Retrieved from Thermos website using Internet <URL: <http://www.thermos.com/products/intak-purple-24-oz-hydration-bottle.aspx>>.

Nalgene Grip-N-Gulp Bottle, product description [online] [retrieved Feb. 26, 2015]. Retrieved from Nalgene website using Internet <URL: <http://store.nalgene.com/product-p/grip%20n%20gulp.htm>>.

Tupperware Eco Sports Bottle, product description [online] [retrieved Feb. 26, 2015]. Retrieved from Tupperware website using Internet <URL: [http://ordertupperware.com/coe/app/tup\\_show\\_item.show\\_item\\_detail?fv\\_item\\_category\\_code=15001&fv\\_item\\_number=P10105994000](http://ordertupperware.com/coe/app/tup_show_item.show_item_detail?fv_item_category_code=15001&fv_item_number=P10105994000)>.

Tupperware Kids Fast Quench, product description [online] [retrieved Feb. 26, 2015]. Retrieved from Tupperware website using Internet <URL: <http://www.tupperware.com.au/xchg/au/hs.xsl/3382.html>>.

Trudeau Fuel Silicone Juice Box, product description [online] [retrieved Feb. 26, 2015]. Retrieved using Internet <URL: <http://www.binuns.co.za/brands/fuel/fuel-juicy-250ml-juice-bottle-red.html>>.

Nathan Kids Steel Bottle, product description [online] [retrieved Feb. 26, 2015]. Retrieved from Footrite website using Internet <URL: <http://www.footrite.com/Nathan-Kids-Steel-Water-Bottle.htm>>.

Wawabots Custom Bottle, product review [online] [retrieved Feb. 26, 2015]. Retrieved using Internet <URL: <http://www.inhabitots.com/product-review-wawabots-personalized-photo-water-bottles/wawabots-728-petey/>>.

Eco Vessel Bottle w/ Flip Straw, product description [online] [retrieved Feb. 26, 2015]. Retrieved using Internet <URL: <http://www.bhg.com/shop/eco-vessel-tritan-water-bottle-with-flip-straw-top-p6e3c0724ccd3e7705235b5571d913e37.html>>.

Juice in a Box, product description [online] [retrieved Feb. 26, 2015]. Retrieved from Trendhunter website using Internet <URL: <http://www.trendhunter.com/trends/juice-in-a-box>>.

Japanese Juice Box Packaging, product photographs [online] [retrieved Feb. 26, 2015]. Retrieved using Internet <URL: <http://www.psfk.com/2009/04/japanese-juice-box-packaging-mimics-the-skin-of-the-fruit.html>>.

Tic Tac Hinge Top Boxes, graphical representation [online] [retrieved Feb. 26, 2015]. Retrieved from Coroflot website using Internet <URL: <http://www.coroflot.com/zsimmering/package?state=36&specialty=4&>>.

\* cited by examiner

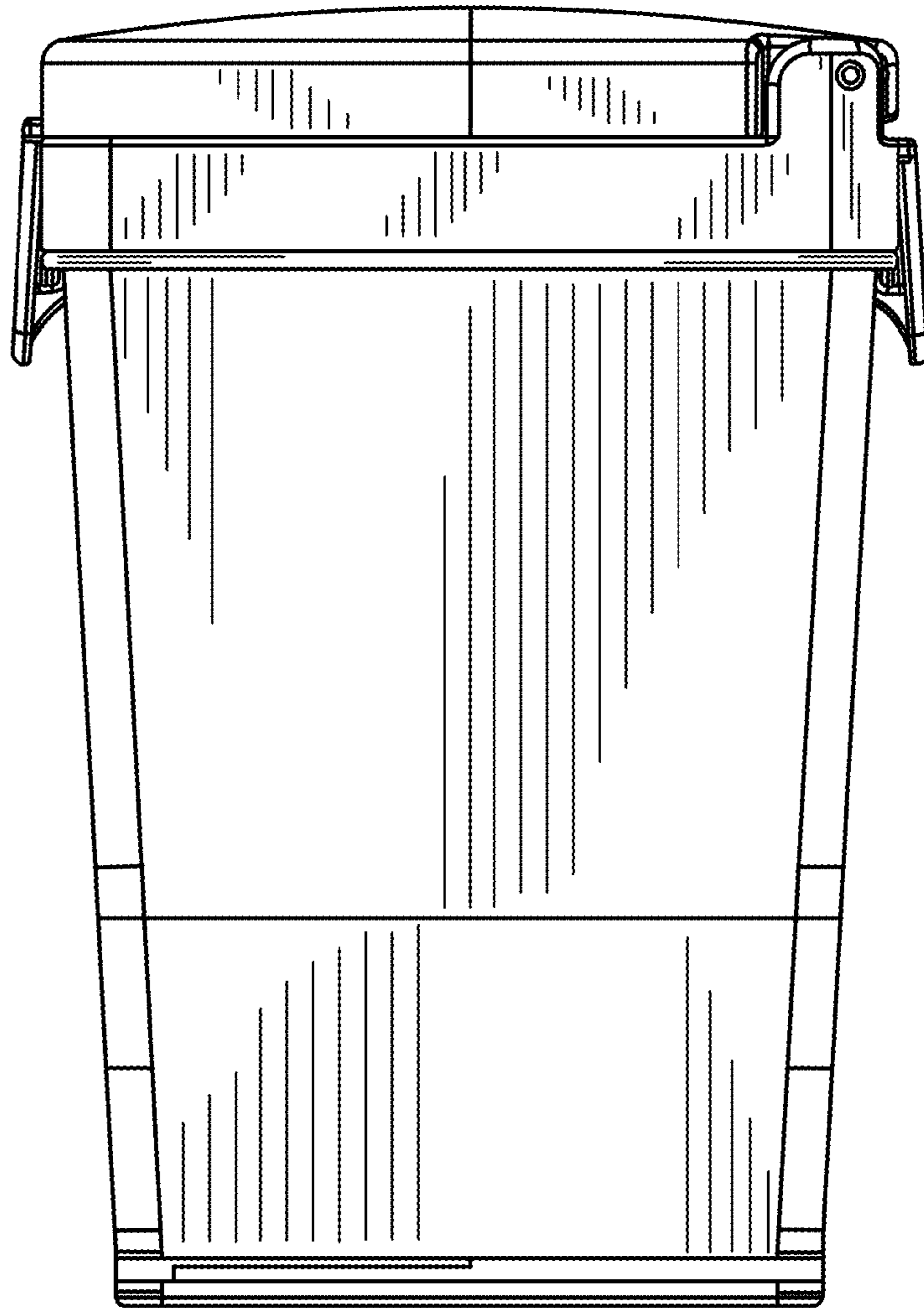


FIG. 1

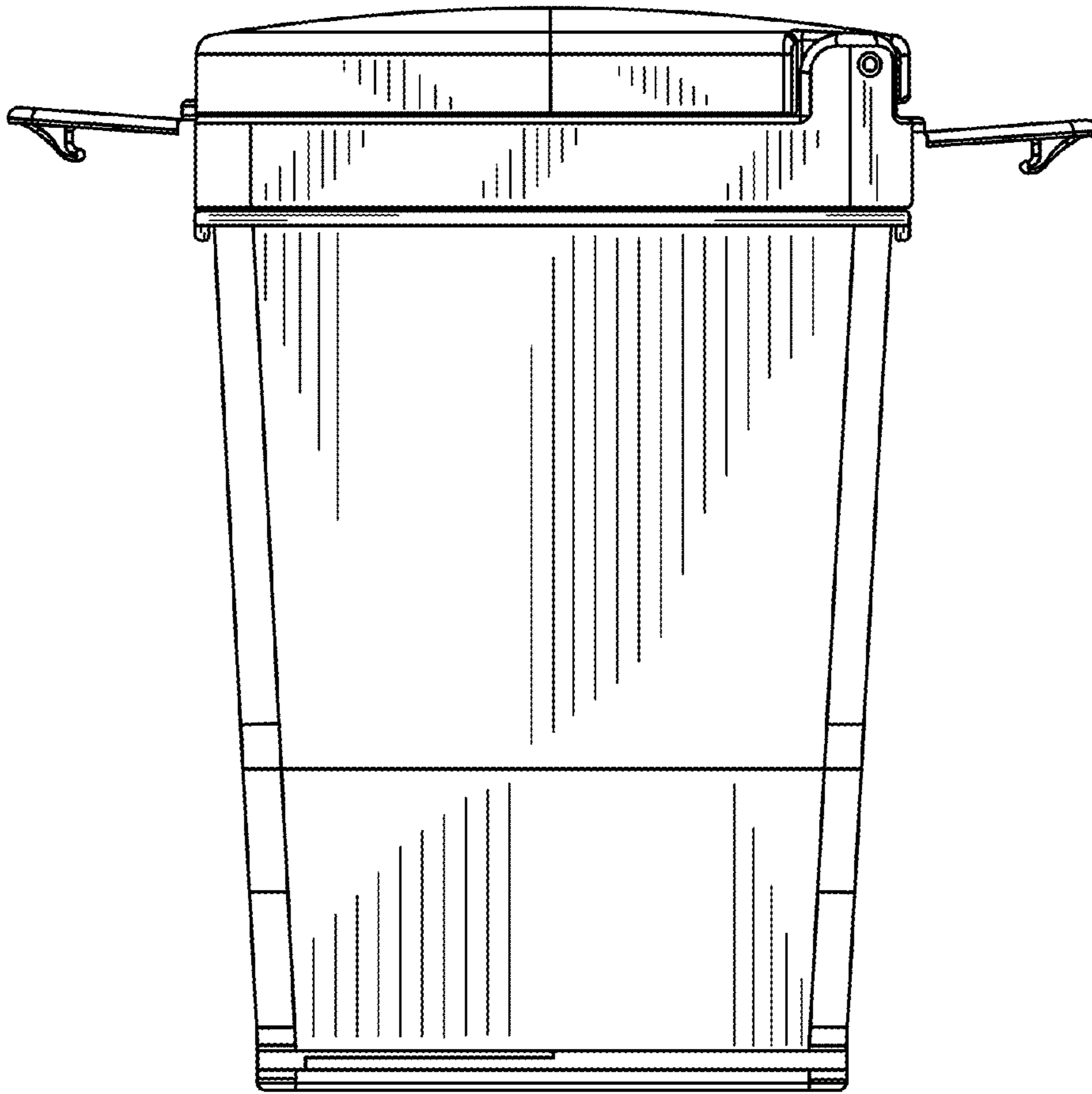


FIG. 2

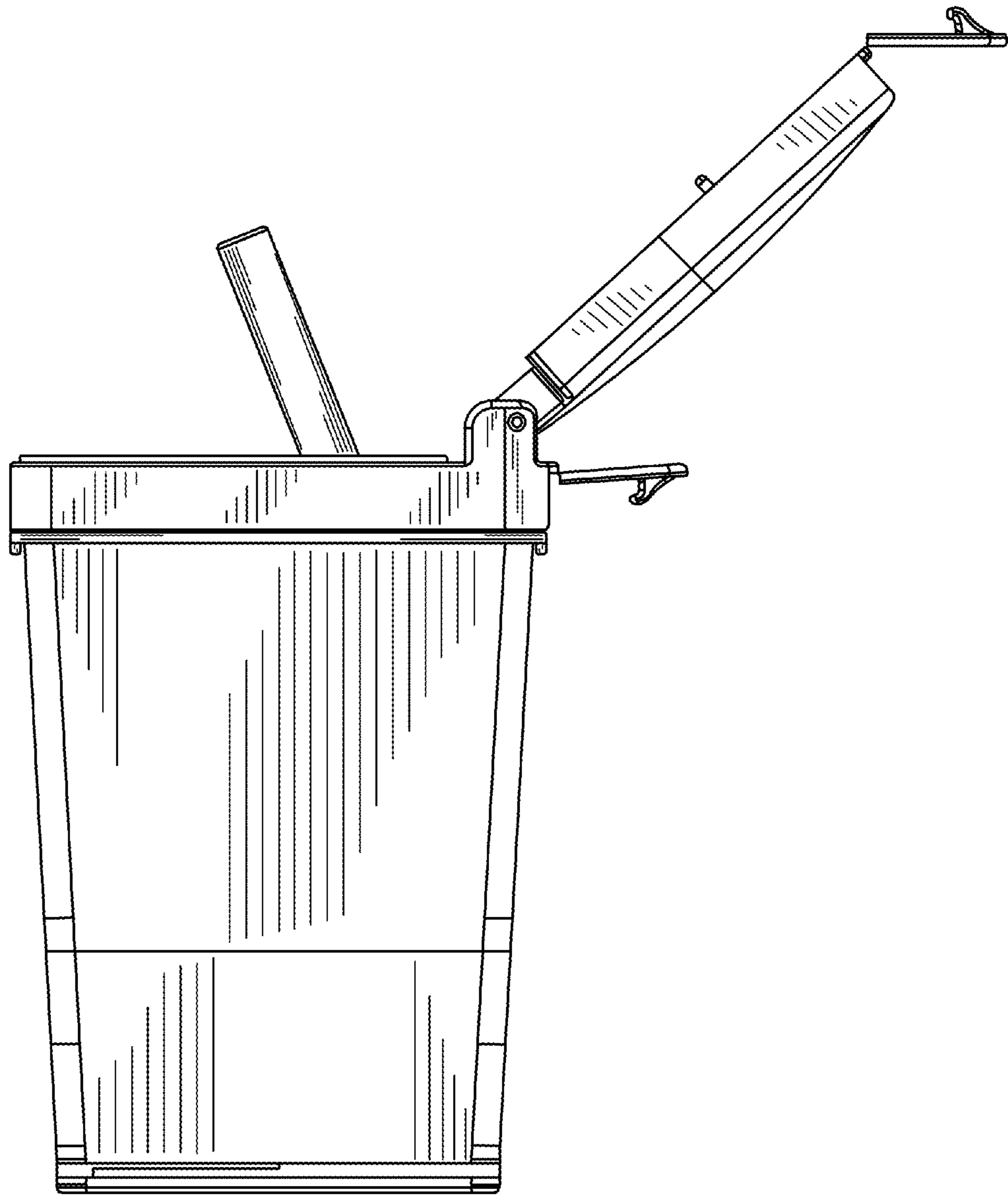


FIG. 3



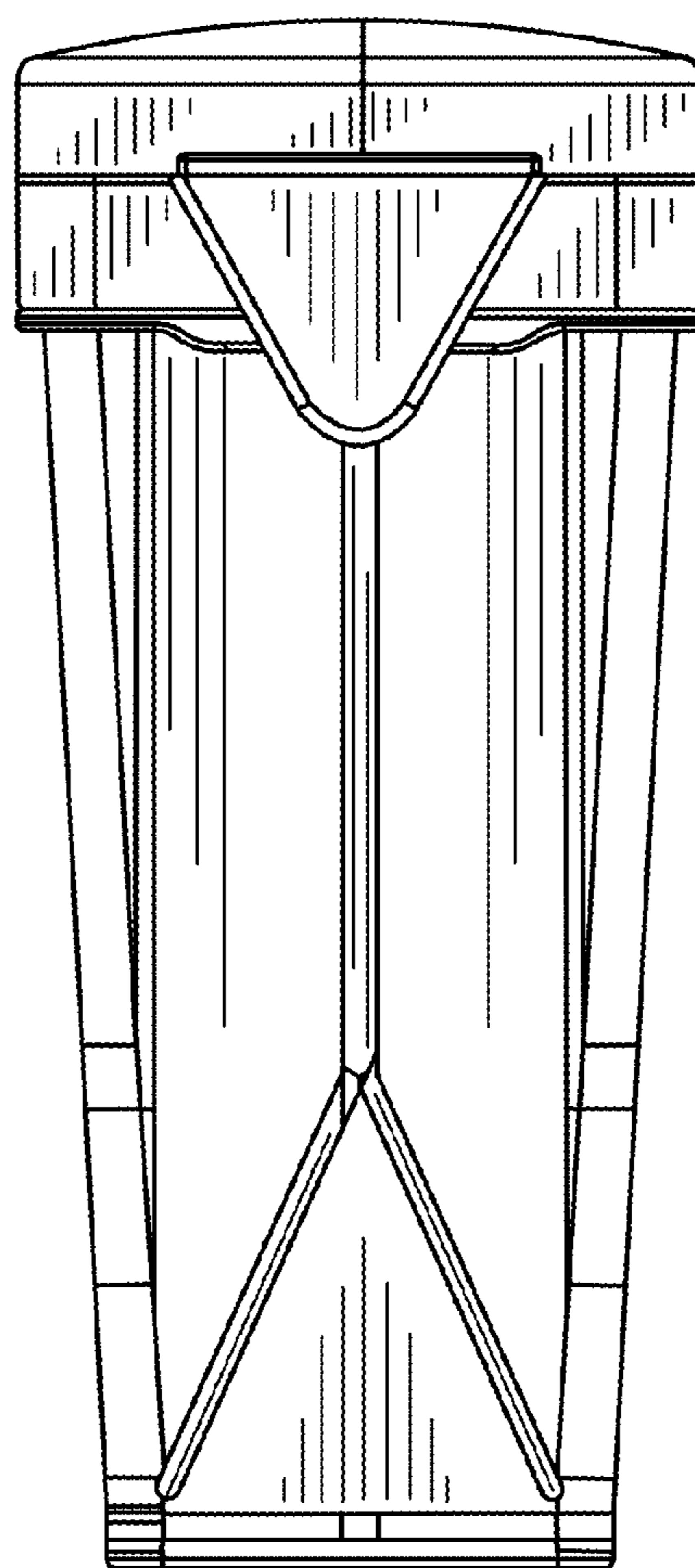


FIG. 4

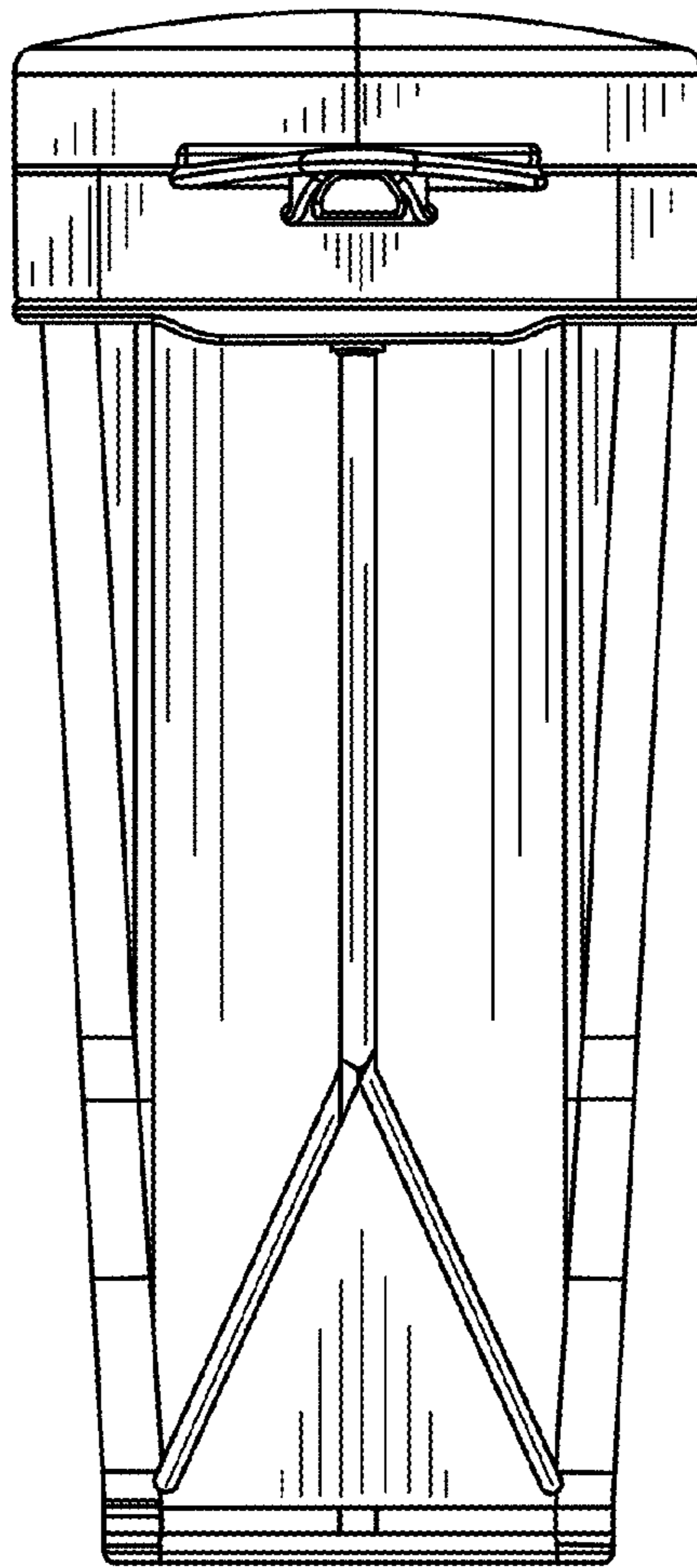


FIG. 5

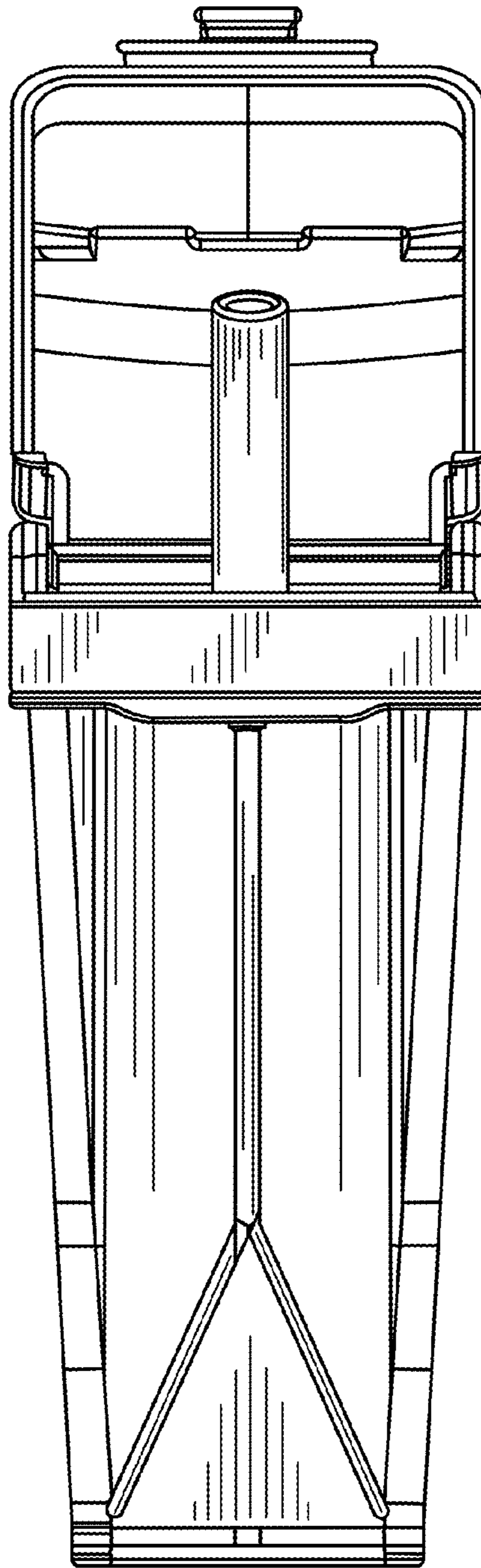


FIG. 6



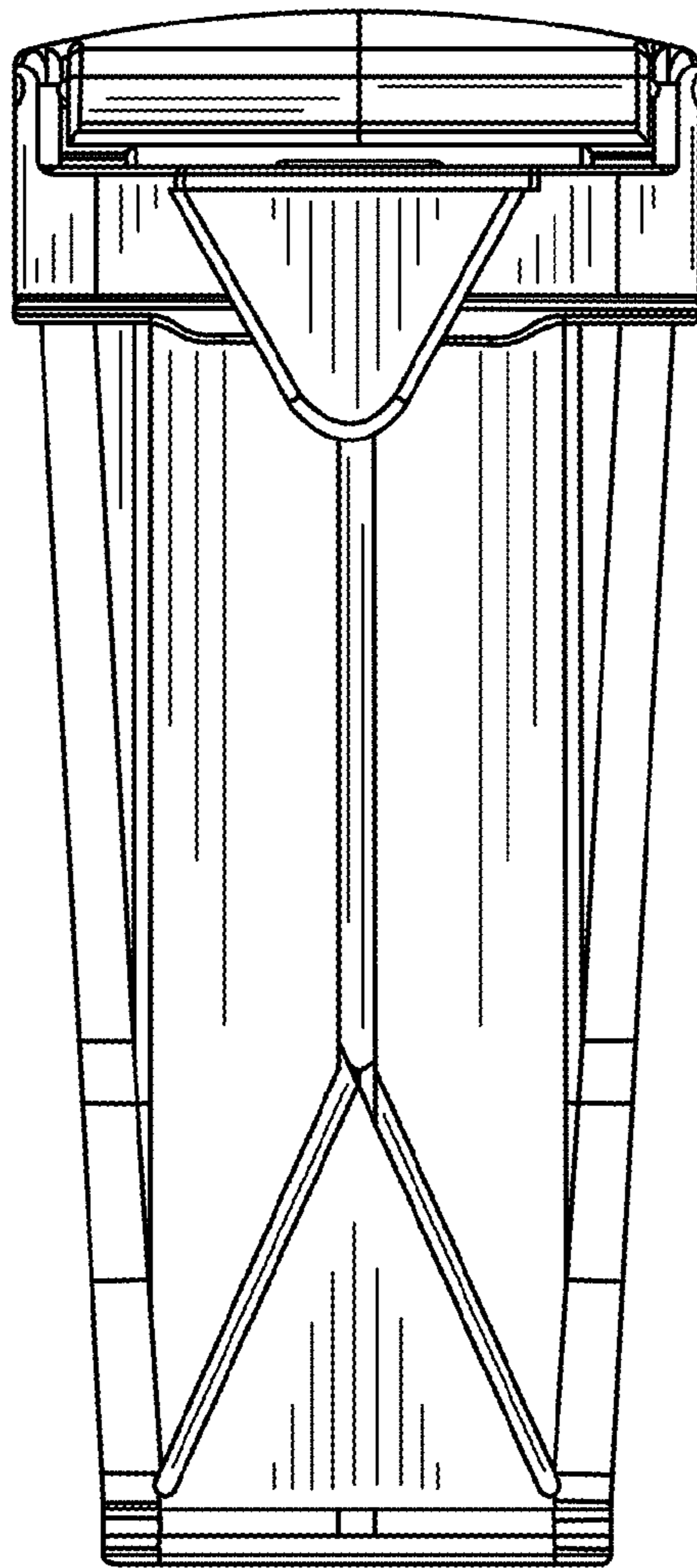


FIG. 7

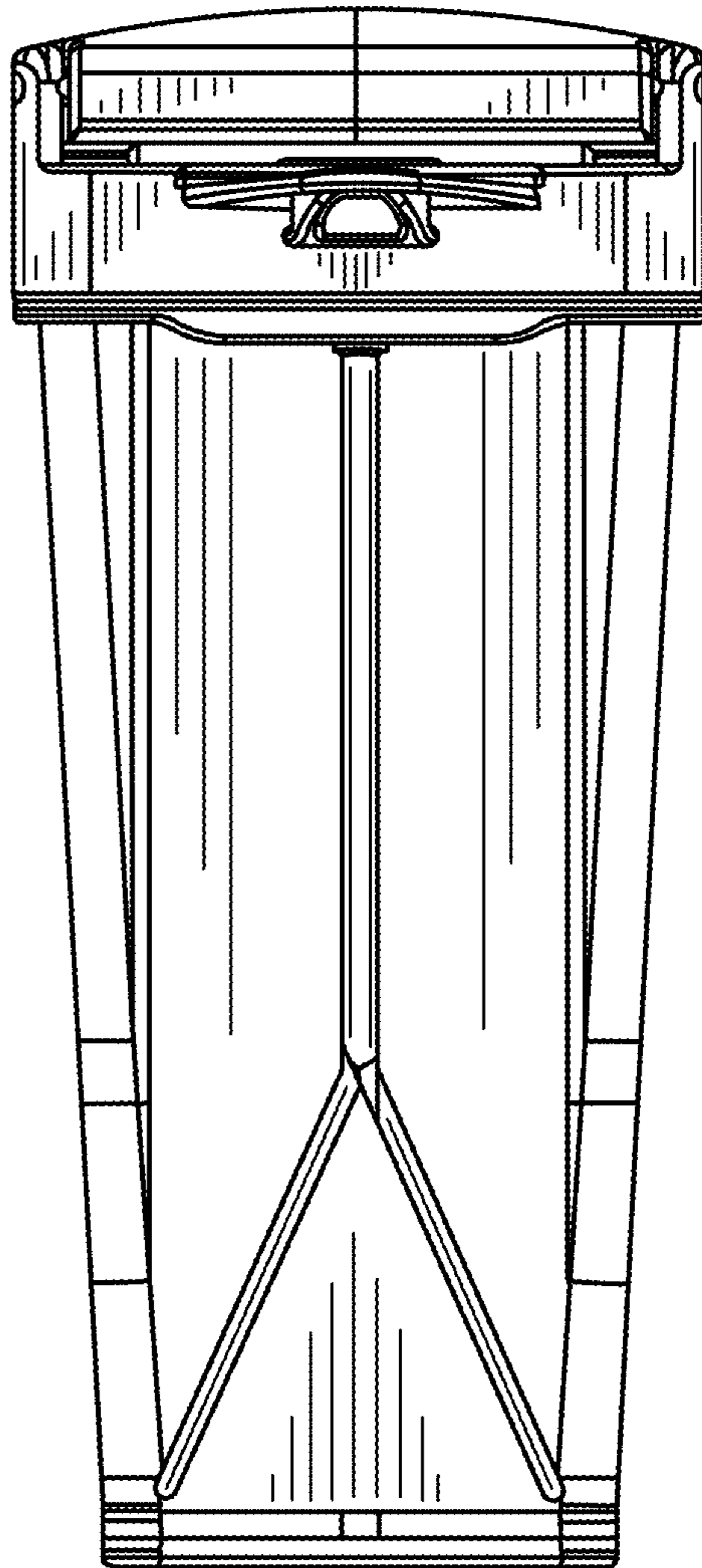


FIG. 8

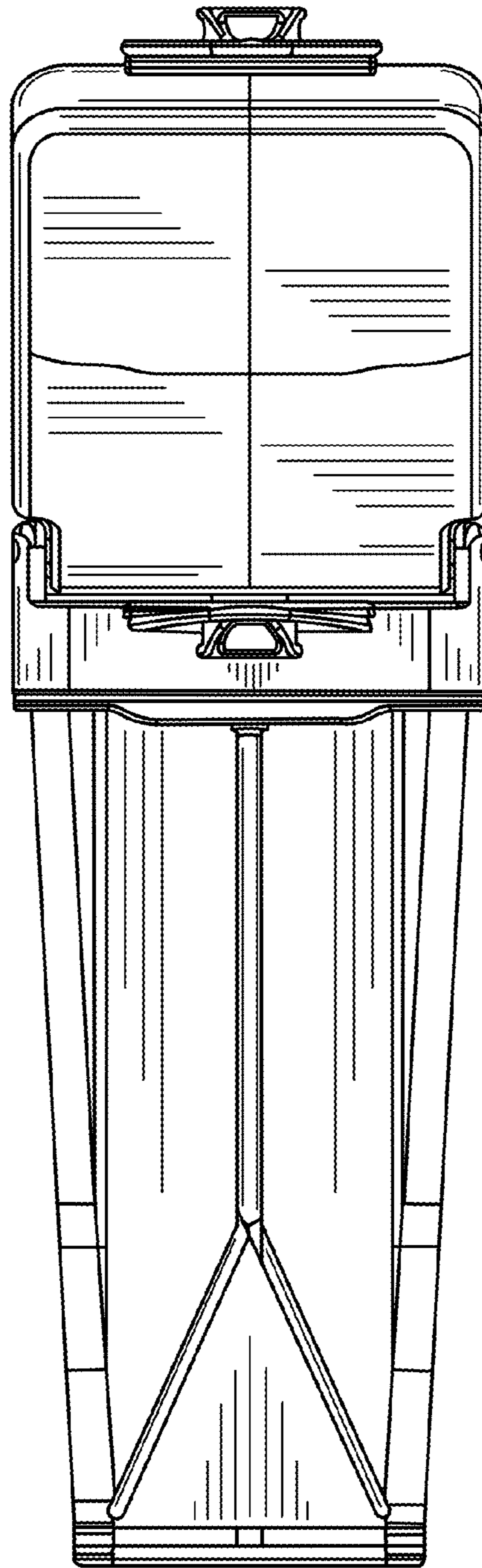


FIG. 9

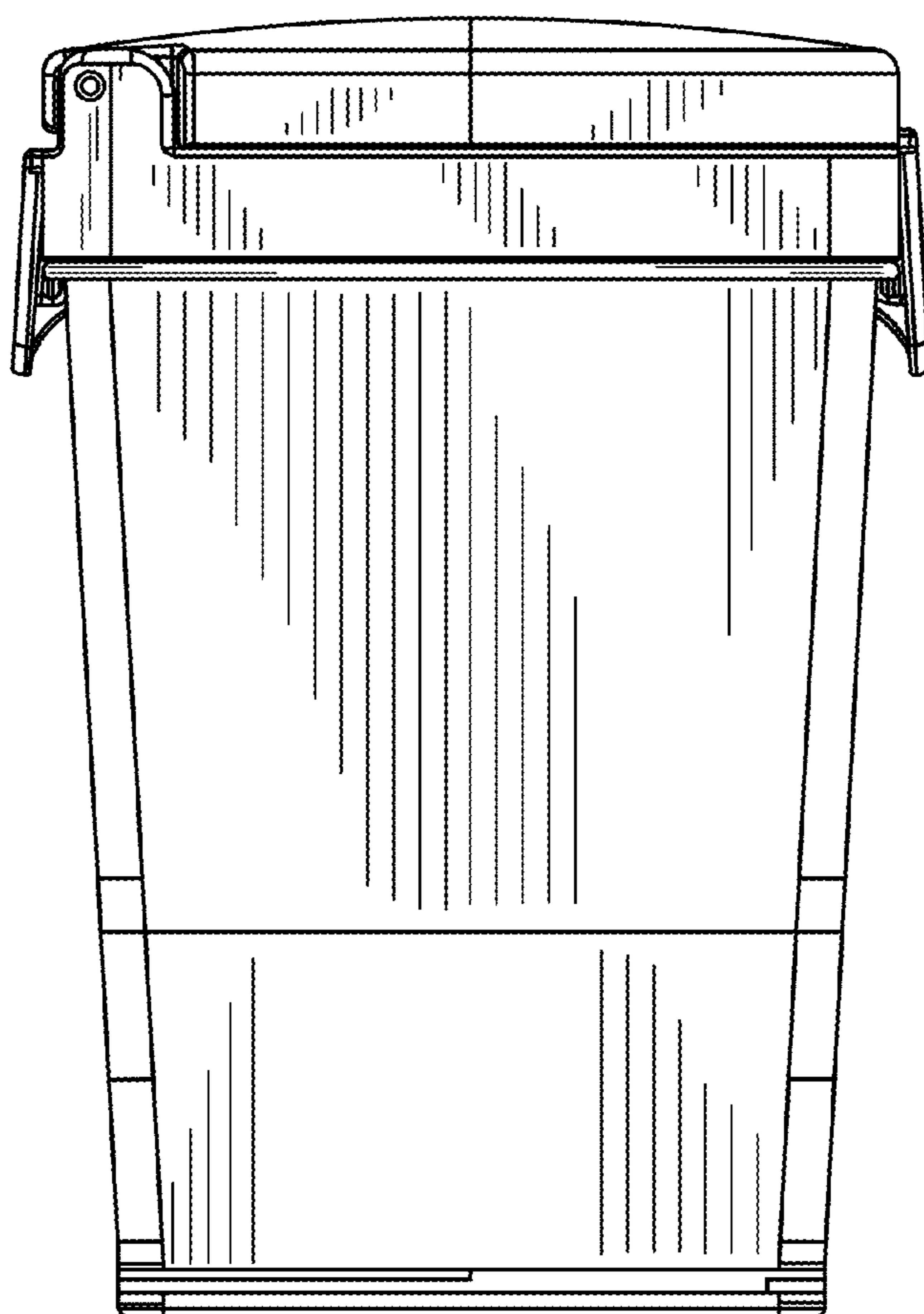


FIG. 10



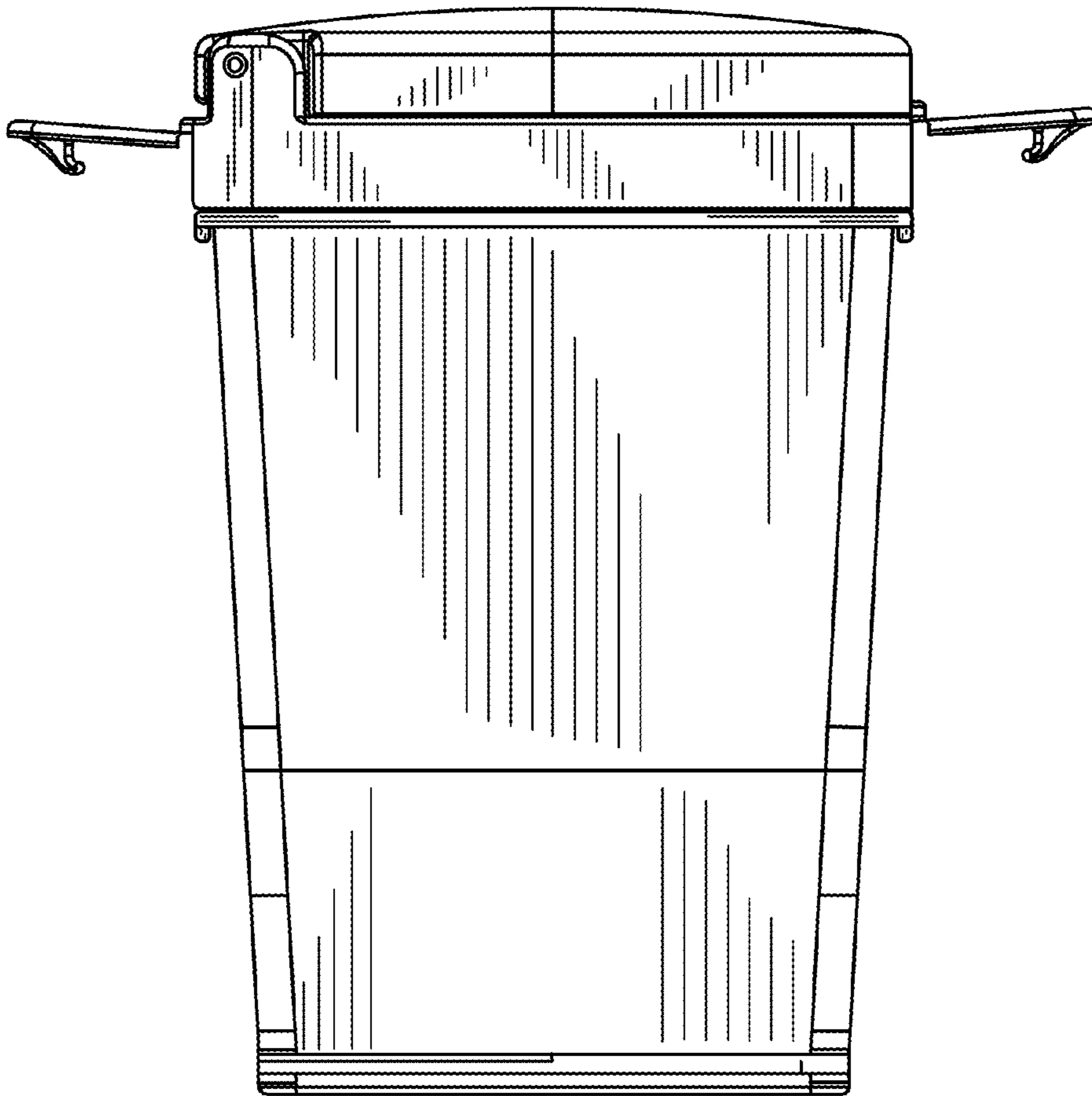


FIG. 11

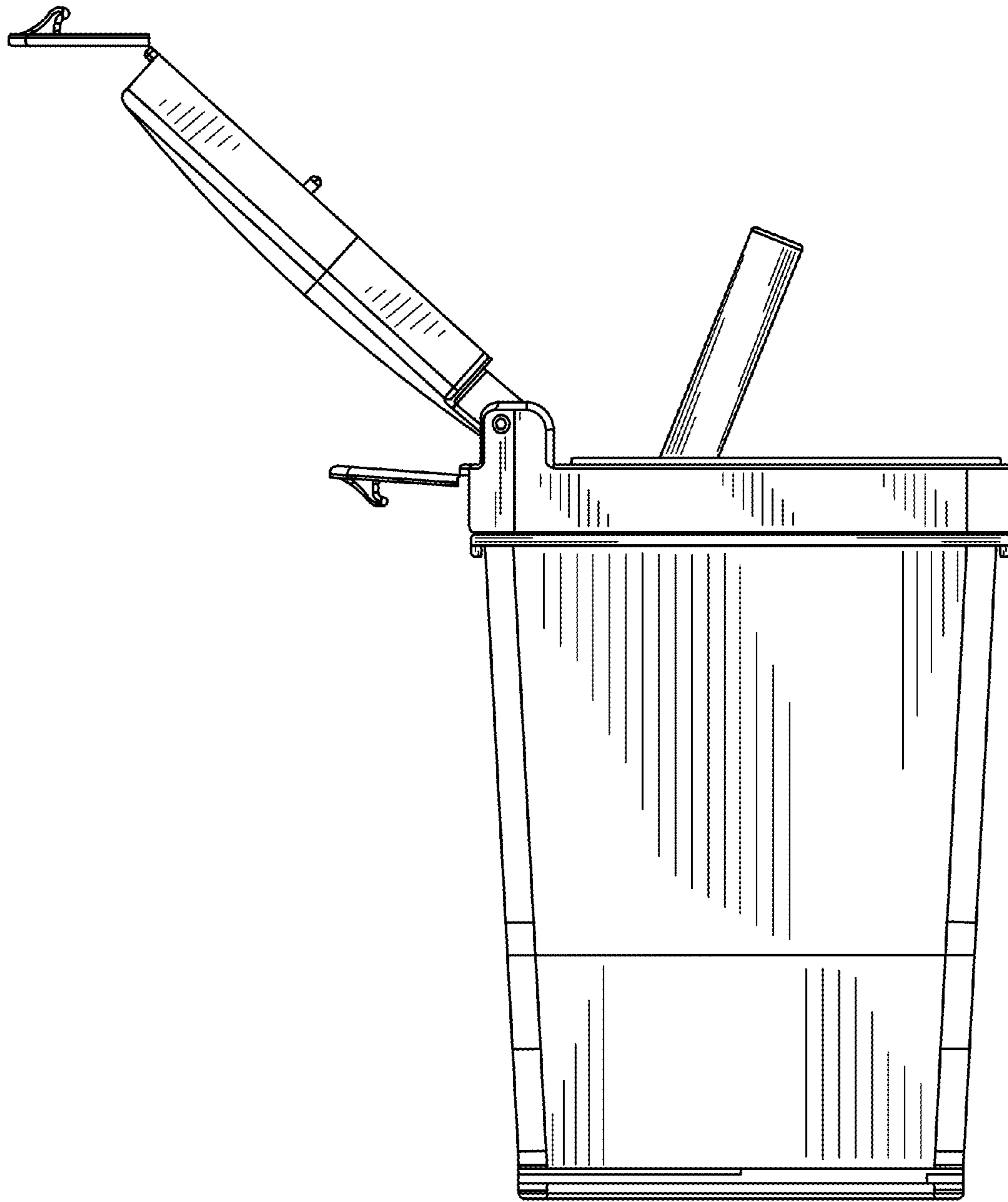


FIG. 12

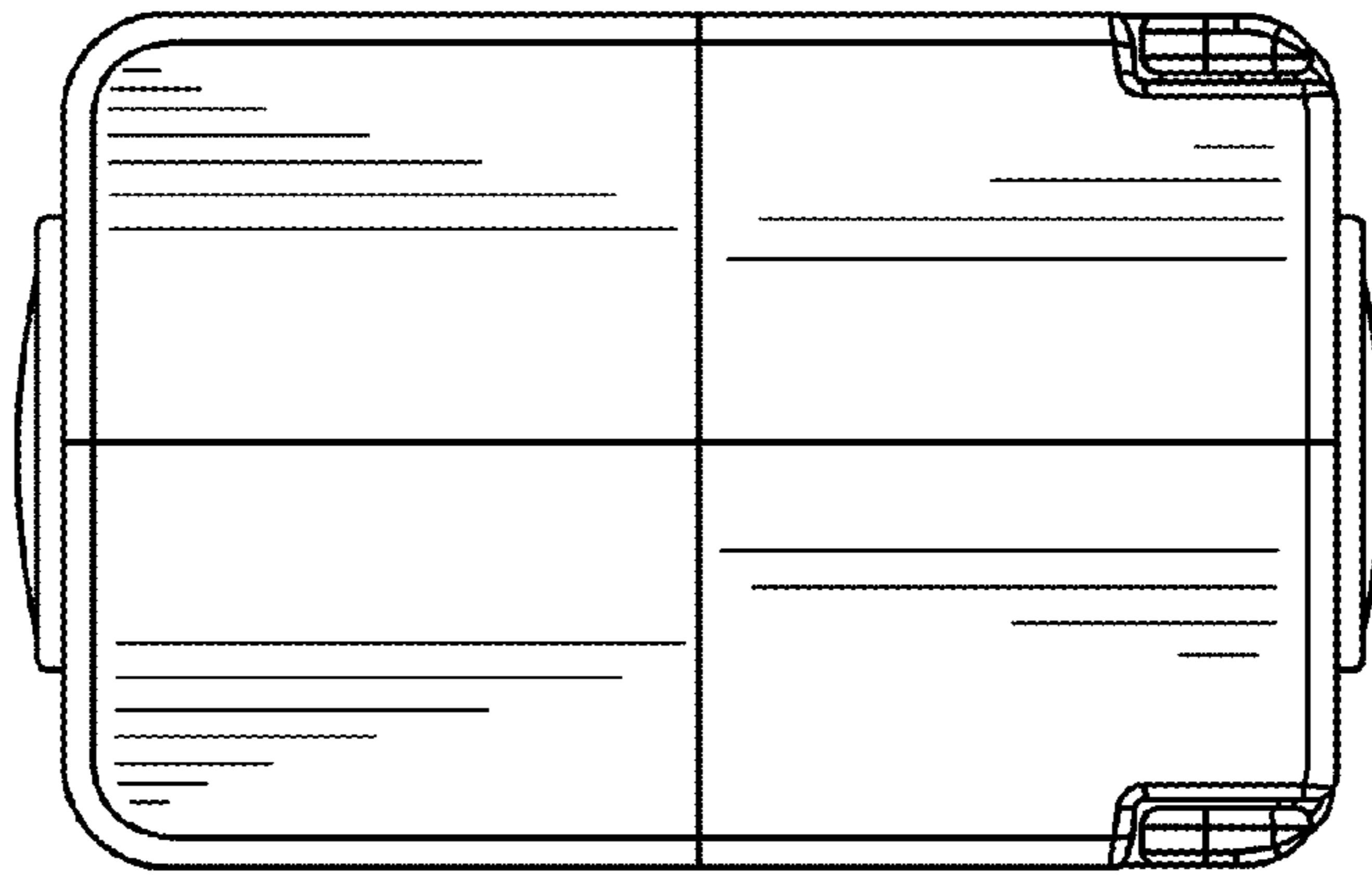


FIG. 13

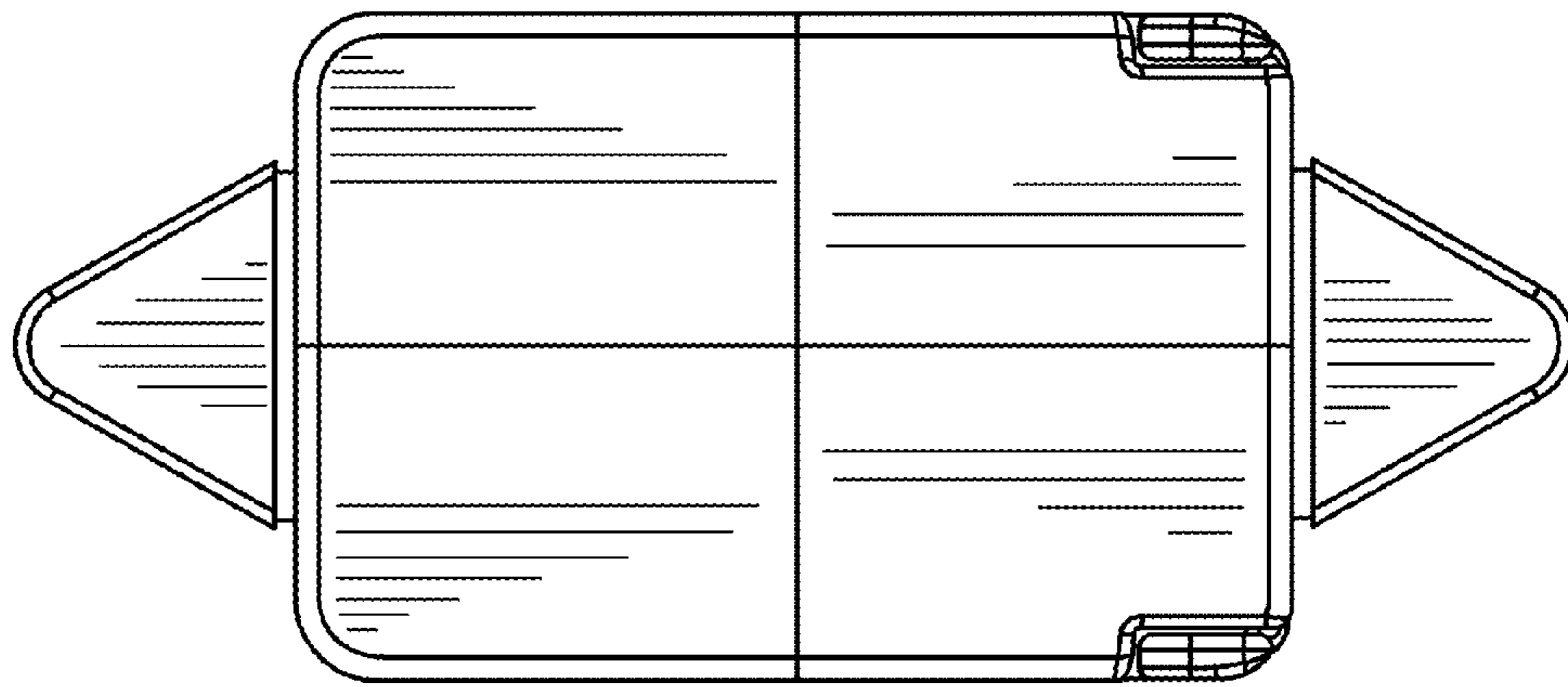


FIG. 14



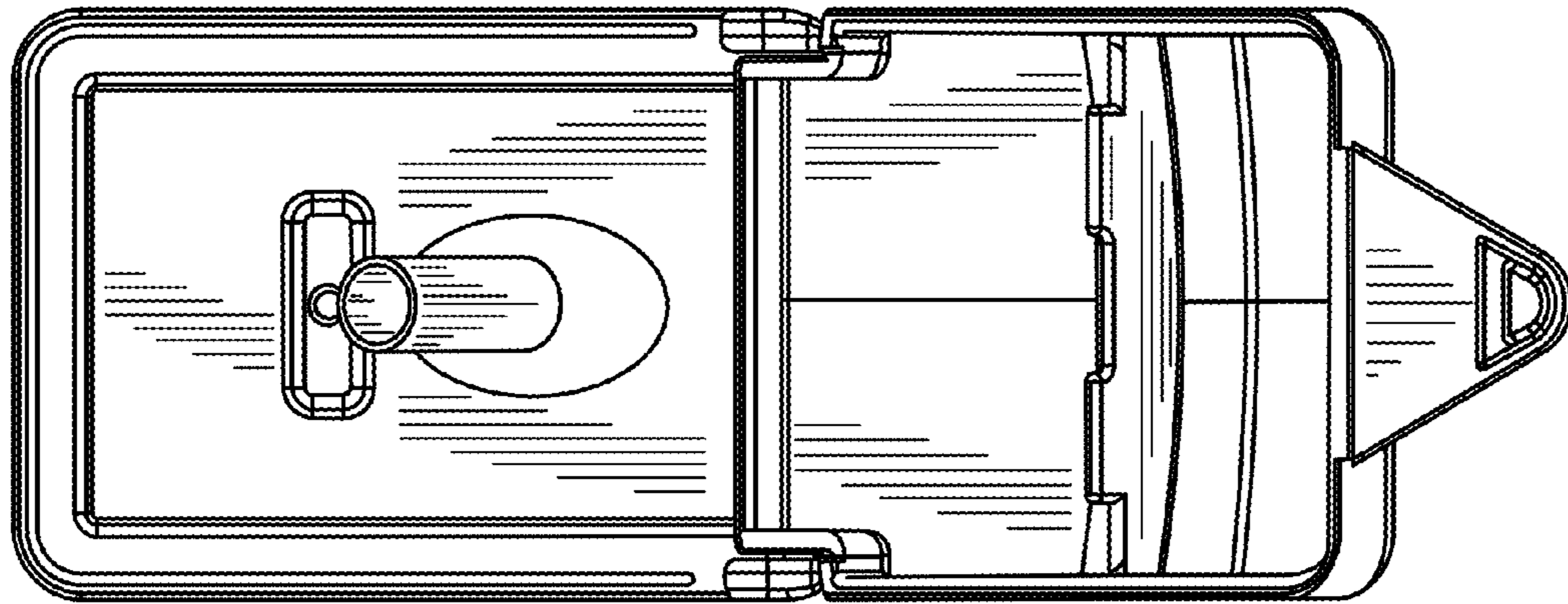


FIG. 15

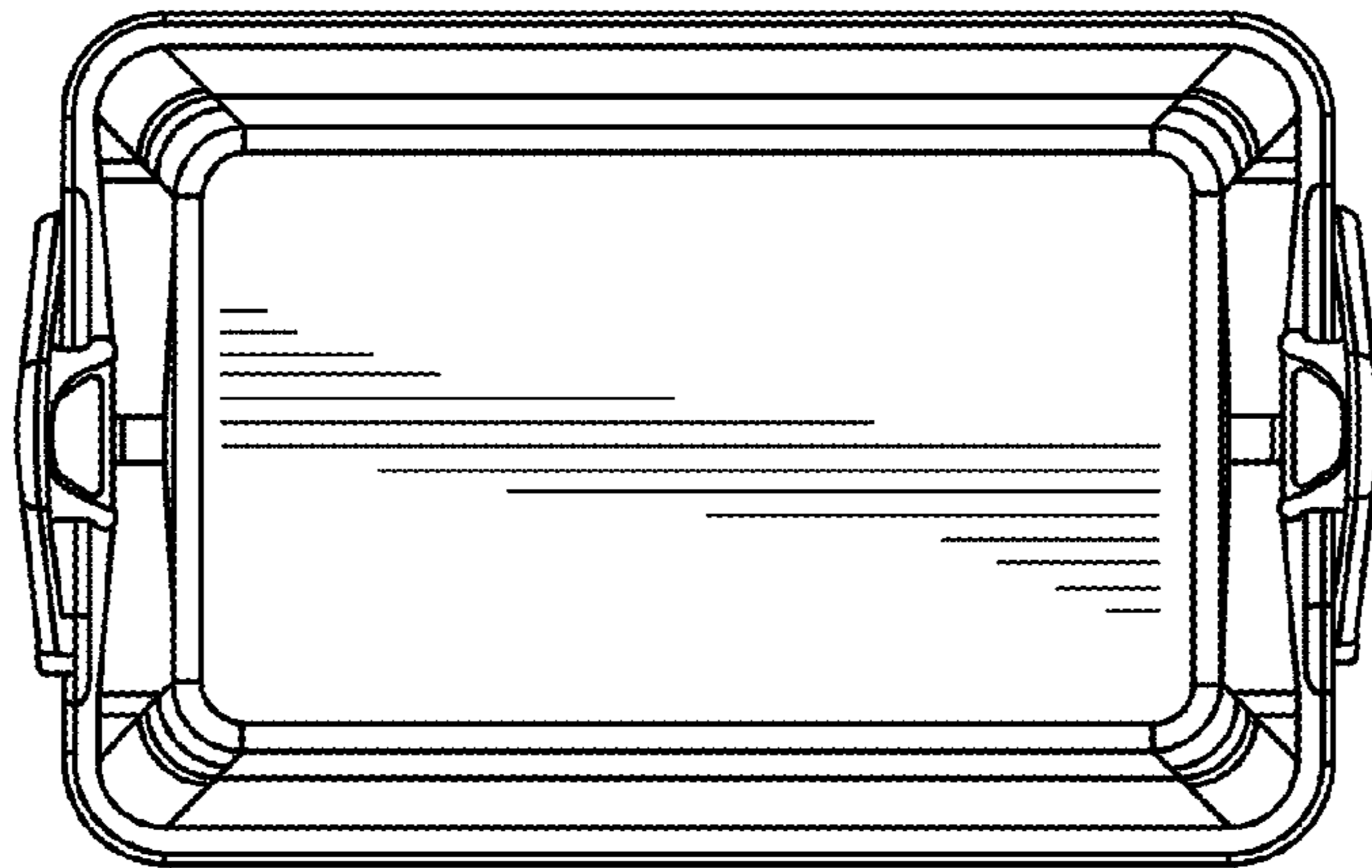


FIG. 16

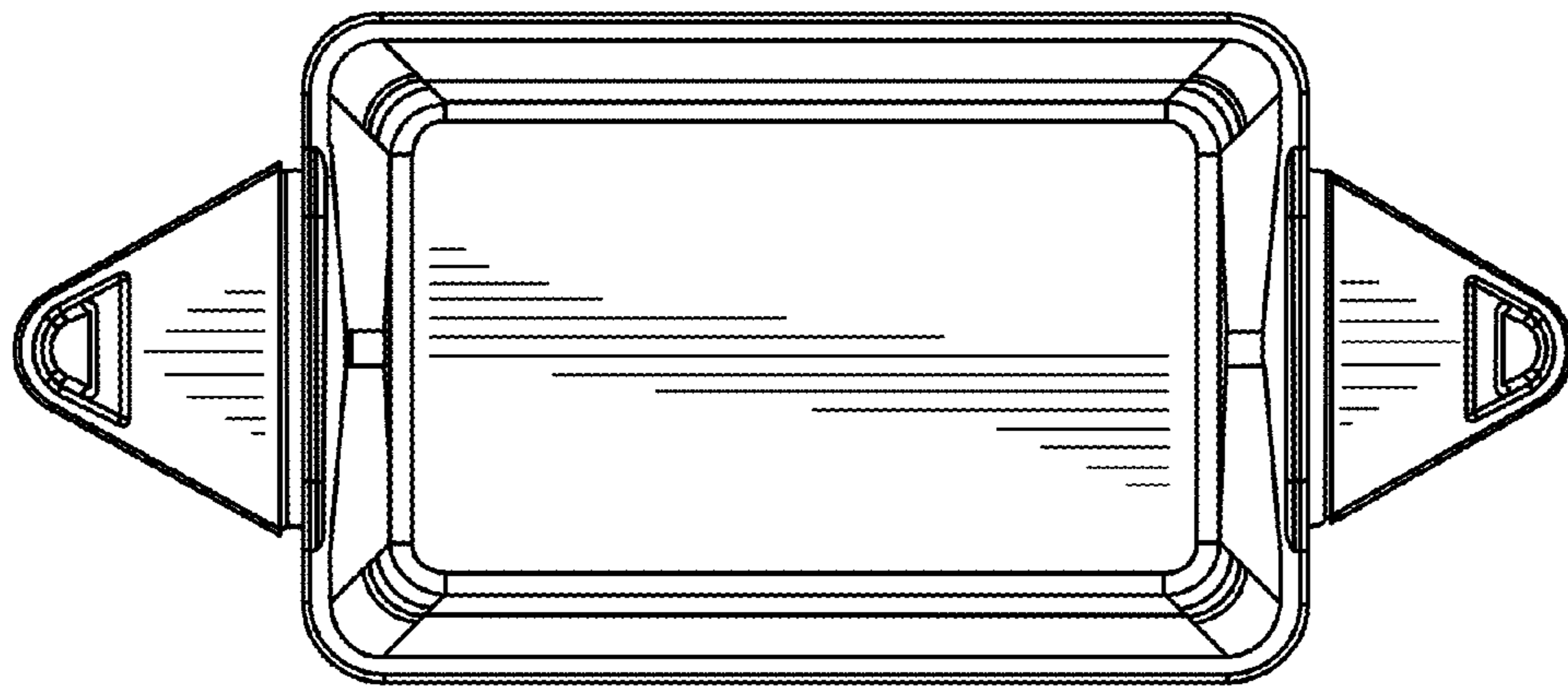


FIG. 17

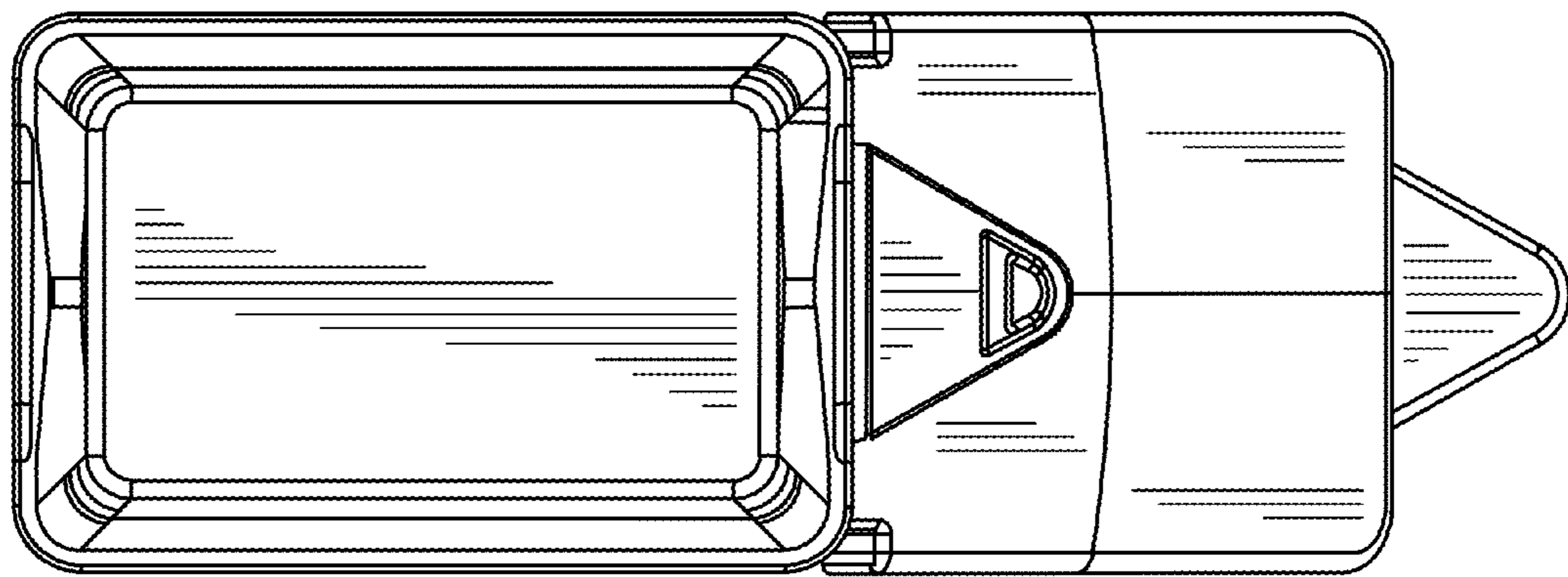


FIG. 18



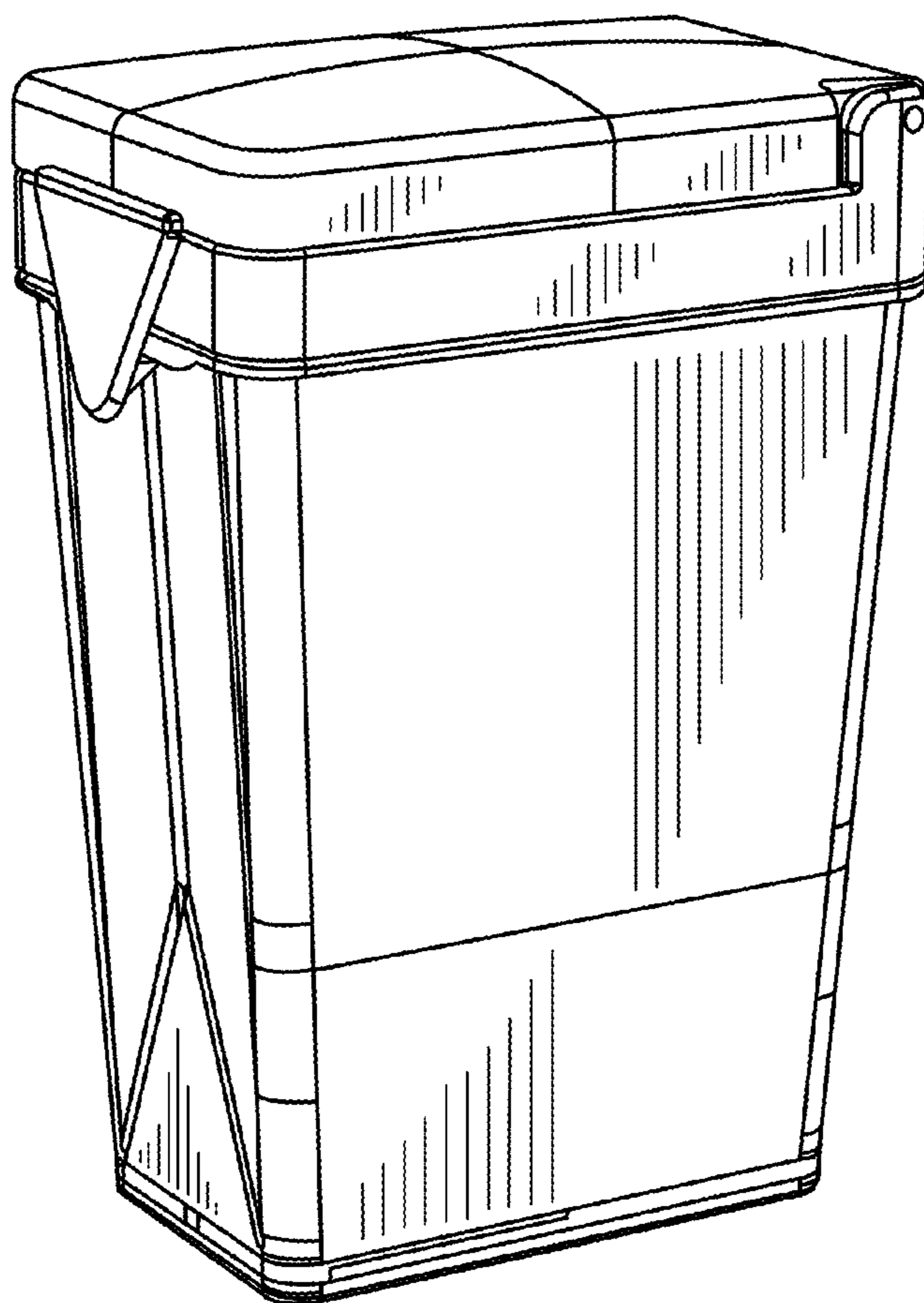


FIG. 19

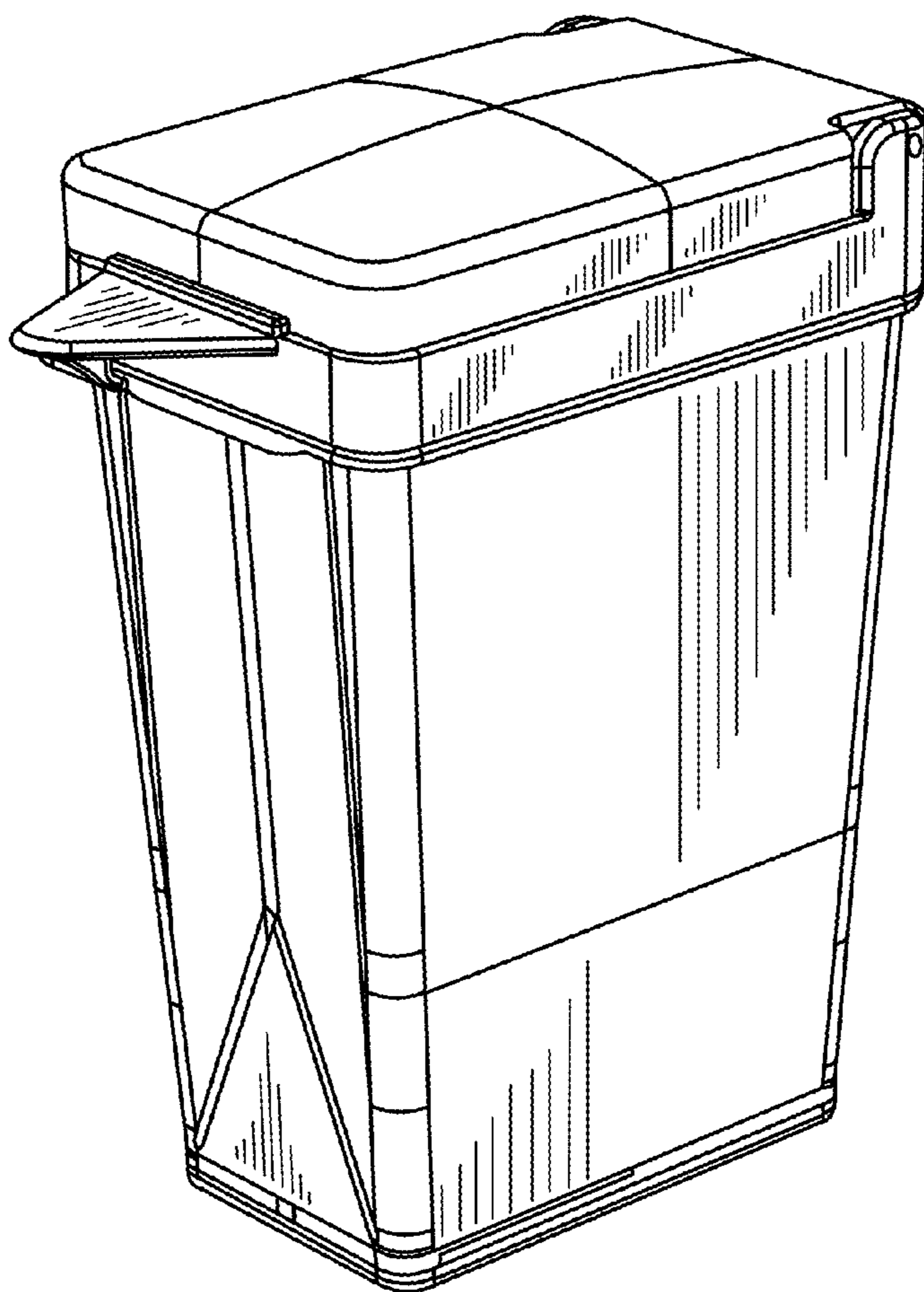


FIG. 20

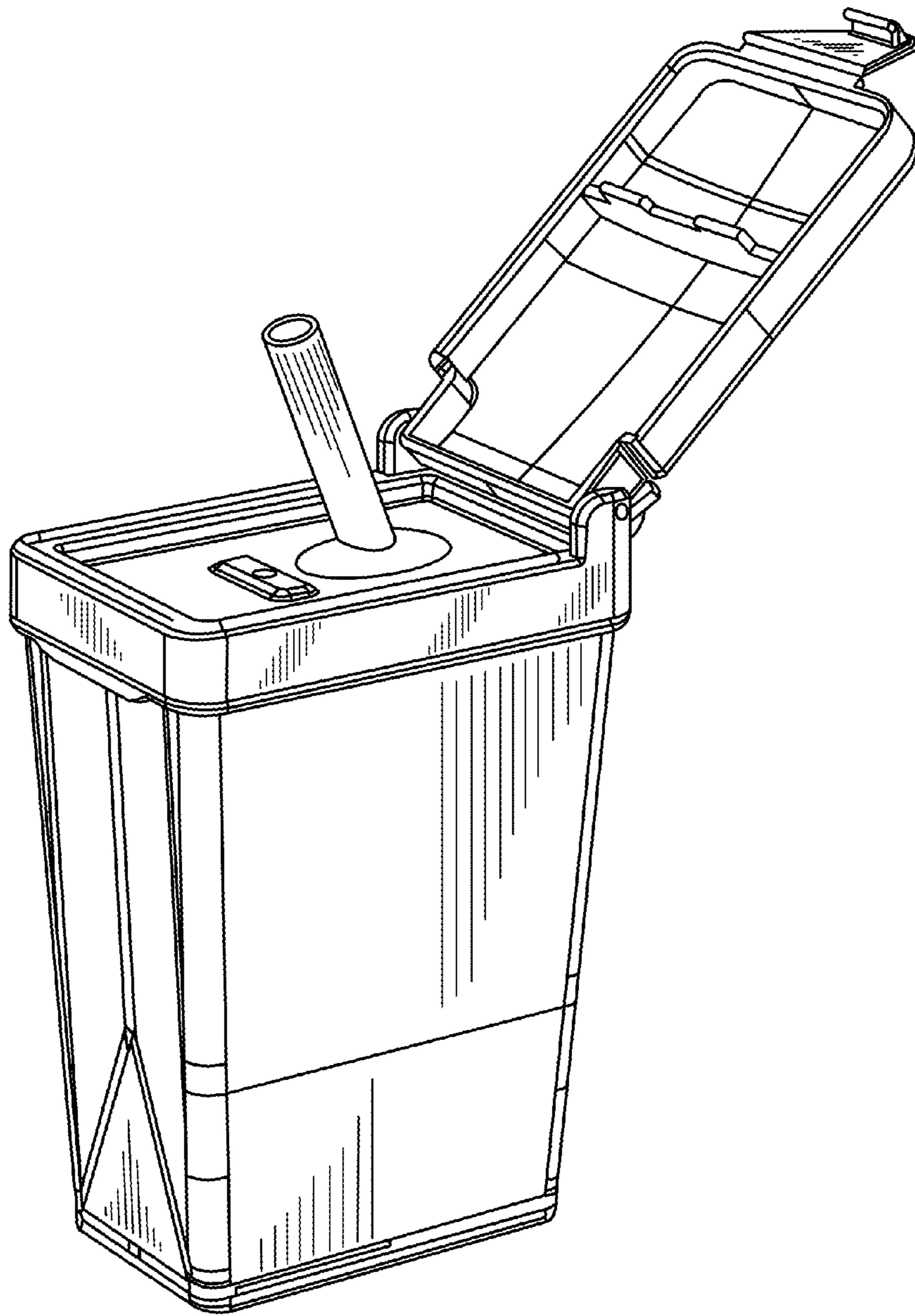


FIG. 21